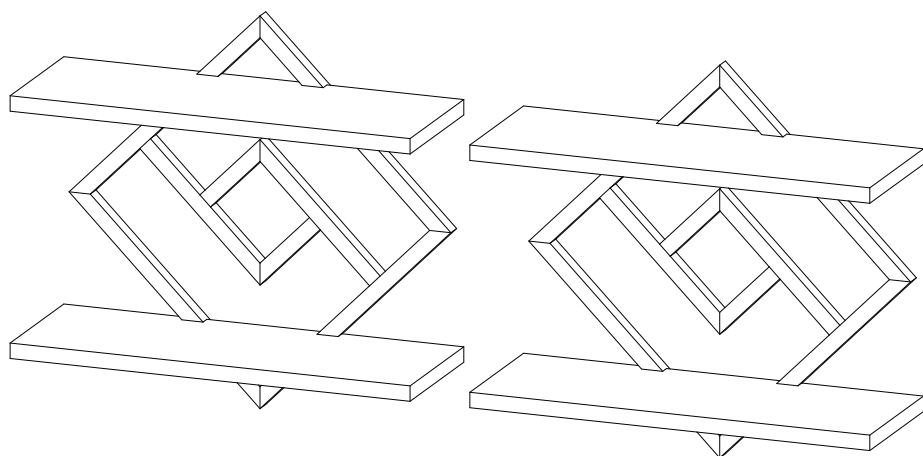


ELYKEN



HWS011

Assembly Instructions

General Guidelines:

1. Please read the following instruction carefully and use the product accordingly.
2. Please keep this manual and hand it over when you transfer the product.
3. This summary may not include every detail of all variations and considered steps. Please contact us when further information and help are needed.

Notes:

1. Please strictly follow the assembly steps to assemble the product. If there are any defective or missing parts after unpacking, please cease assembly immediately and contact us.
2. Place the product on a flat floor for use.
3. Children are not allowed to climb or stand on the product to avoid personal injury caused by the toppling.
4. Keep plastic packing bags out of reach of children to avoid any potential danger, such as suffocation.
5. Avoid sharp objects and corrosive chemicals to prevent damage to the product or the user.
6. Periodically inspect screw tightness while the product is in use. If necessary, re-tighten to ensure structural integrity

Warnings:

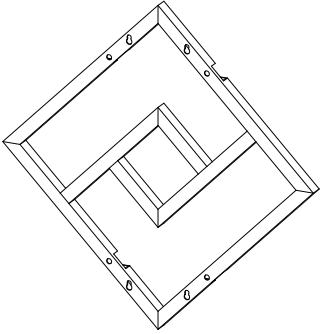
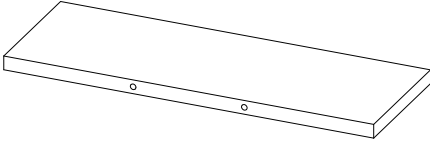
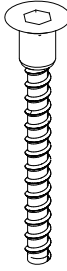
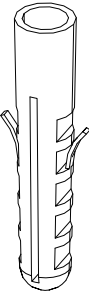
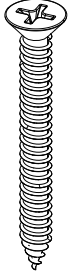
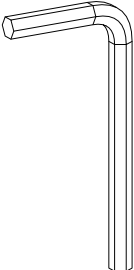
Never use the product if any part is missing or defective to avoid potential hazards. Children are not allowed to stand on, climb on, drag, or play on the product to avoid serious bodily injury.

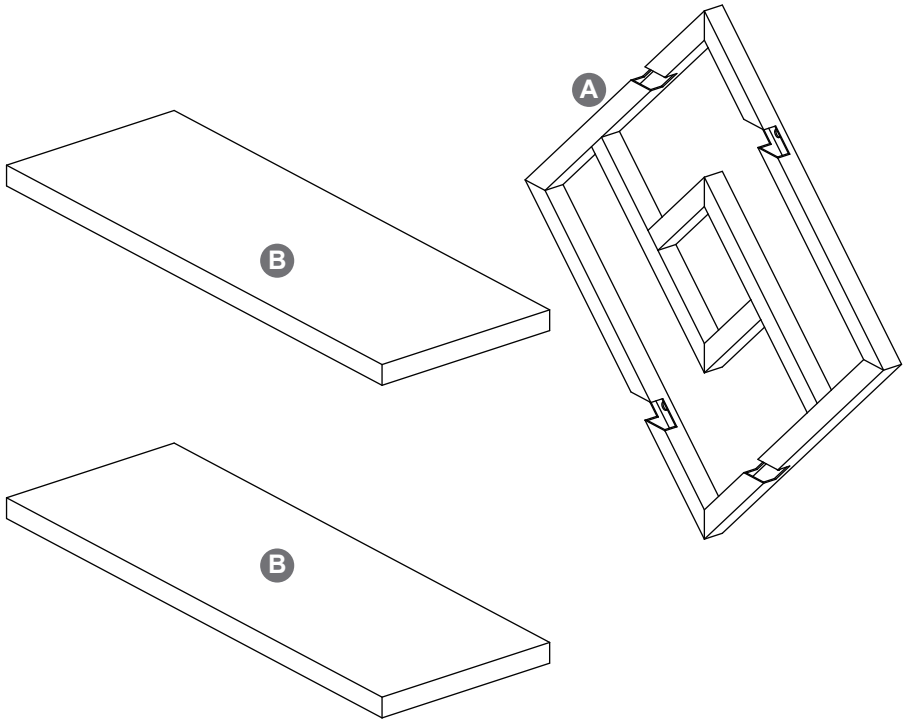
One Year Limited Warranty

Elyken warrants to the purchaser of this product, for the period of one (1) year following the date on which Purchaser purchases the product, that the product shall be free of defects in design, assembly, material, or workmanship.

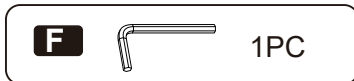
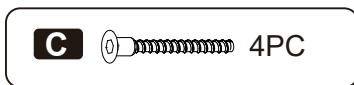
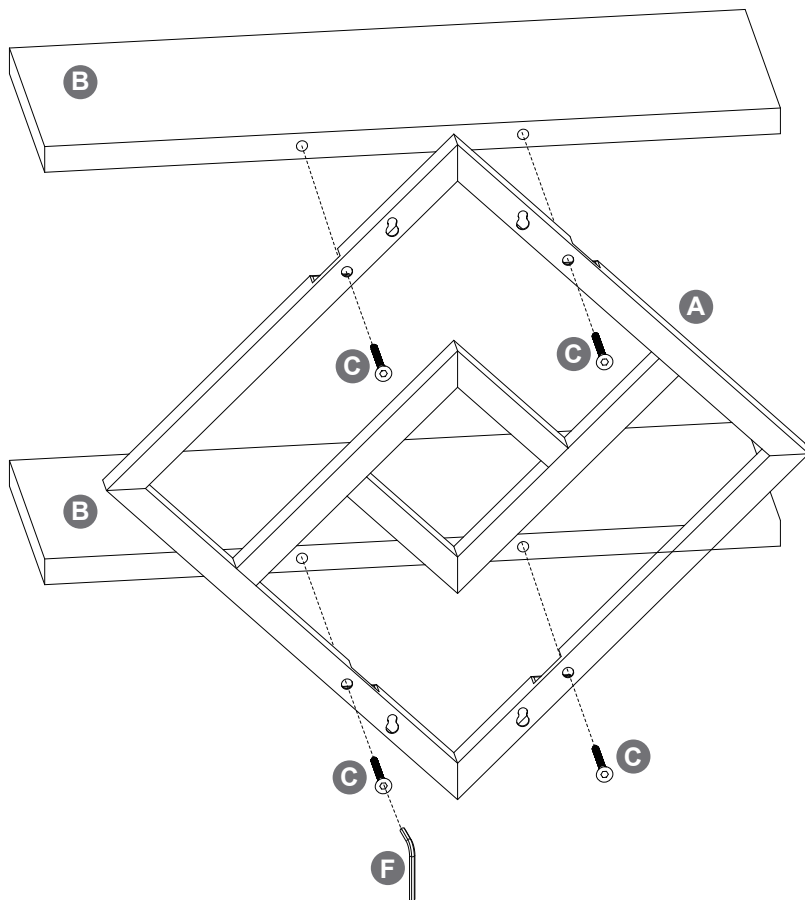


If you have any problems or questions, please contact our Consumer Care
Email: support@elyken.com

<p>A x2</p> 	<p>B x4</p> 
<p>C x9</p> 	<p>D x9</p> 
<p>E x9</p> 	<p>F x1</p> 

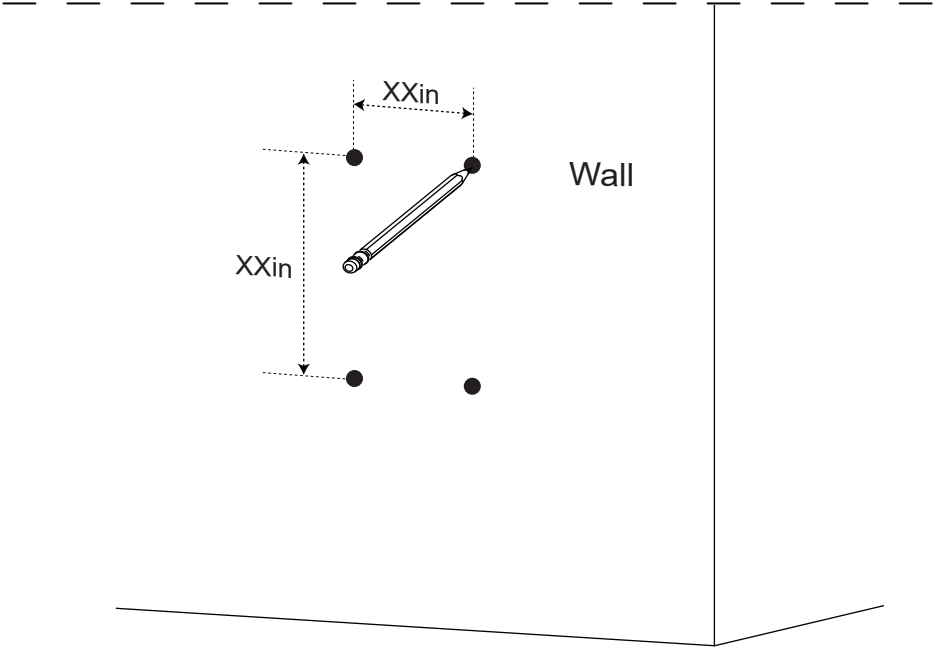
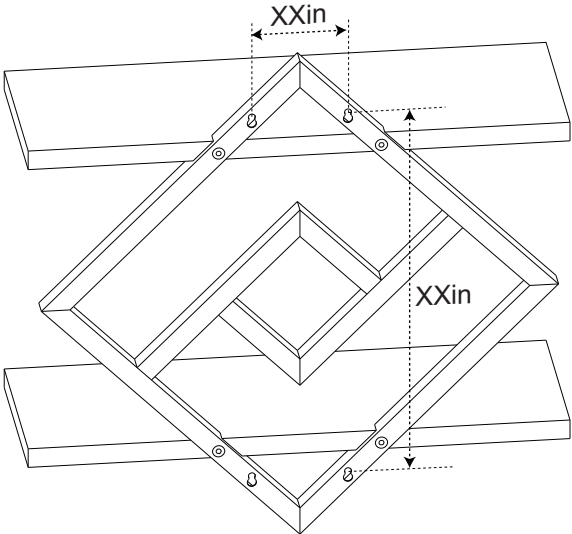


1



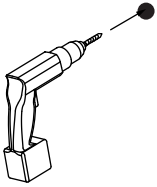
2

Confirm the distance between the holes, and make marks at the same distance on the wall.



3

Drill a hole at the marked position and secure the expansion screw D.



Wall



Wall



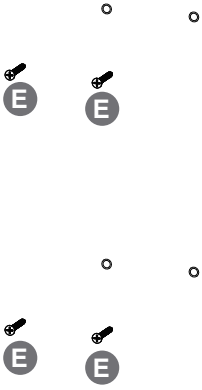
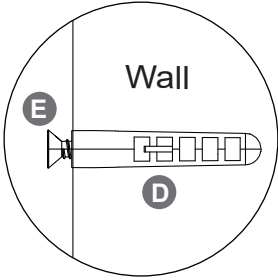
D



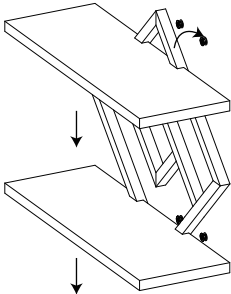
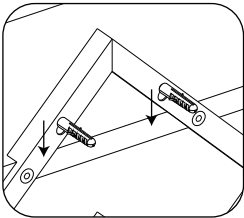
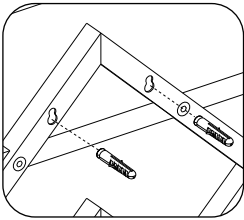
4PC

4

Screw E is not completely embedded in the wall, leaving a certain distance.



Wall



Wall

