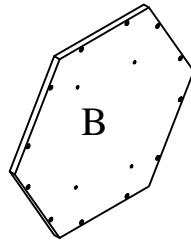
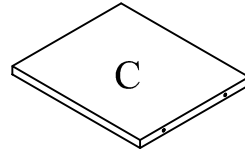


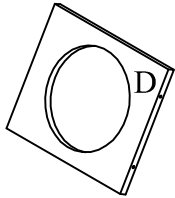
1pc




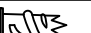
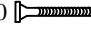
1pc

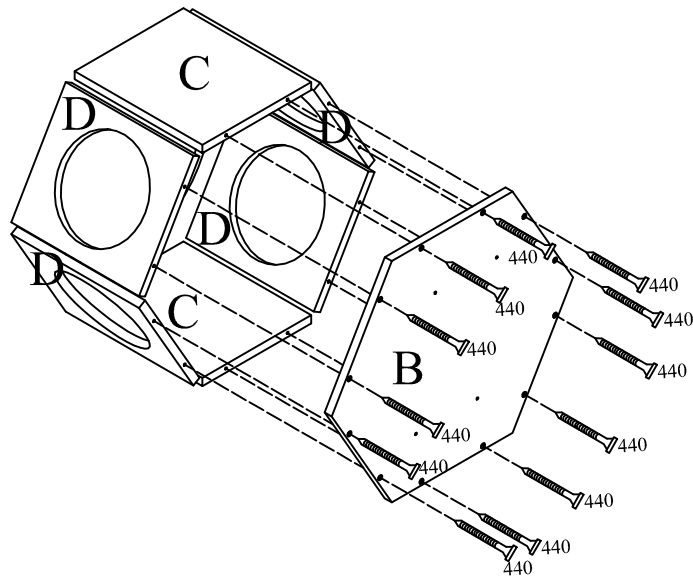
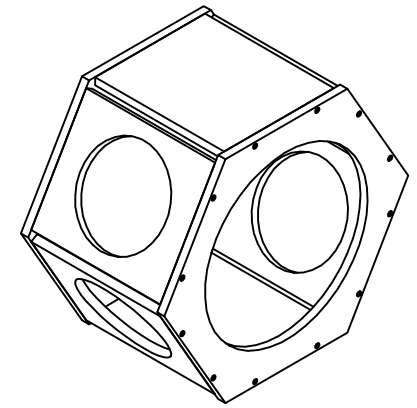


2pcs

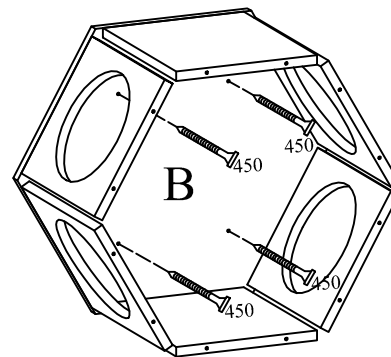


4pcs

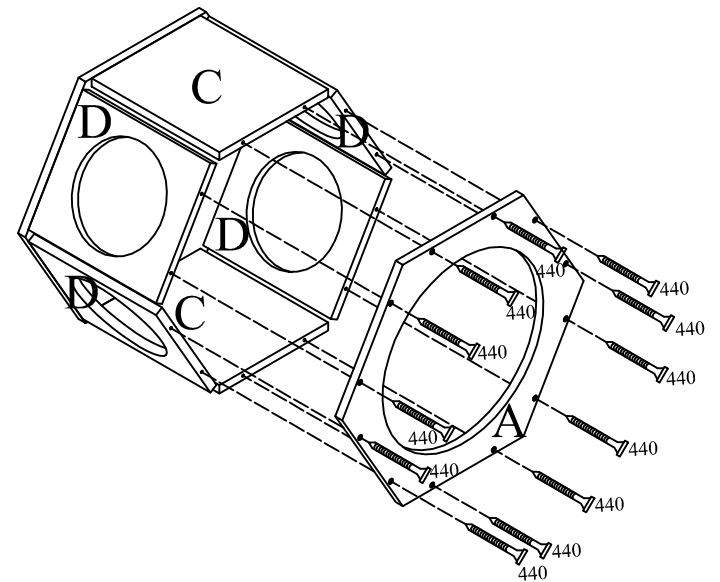
Accessory	Size	Quantity
440 	$\phi 4\frac{1}{2}'' \times 1\frac{3}{8}''$ $\phi 4\text{mm} \times 40\text{mm}$	24pcs
	—	4pcs
450 	$\phi 4\frac{1}{2}'' \times 2''$ $\phi 4\text{mm} \times 50\text{mm}$	4pcs



step1



step2



step3