

# Seven-Drawer Dresser

Assembly Instruction – Please keep properly for future reference.

If you find any missing boxes, damaged parts, or accessory shortages, please contact the customer service team of your purchasing channel immediately. We will resolve the issue as quickly as possible.



---

## THE FOLLOWING INFORMATION:

---

- Order number
  - Purchase platform
  - Purchase date
  - Detailed description of the issue along with photos (if applicable)
- 

EN

**Important** – Please read these instructions carefully before starting the installation.

# Before Assembly



Thank you for choosing our product!

To ensure a smooth installation process, please read this guide carefully to familiarize yourself with the required tools, materials, and installation steps.

Follow the relevant sections to avoid any damage caused by improper installation, and make sure to review all operation and safety guidelines for correct installation procedures.

## Packaging Notice:

If you find any missing boxes, damaged parts, or accessory shortages, please contact the customer service team of your purchasing channel immediately. We will resolve the issue as quickly as possible.

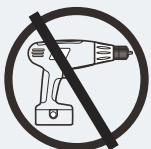
# Safety and Care Advice



## Important :

Please read these instructions fully before starting assembly.

- Check you have all the components and tools listed on the following pages.
- Remove all fittings from the plastic bags and separate them into their groups.
- Keep children and animals away from the work area, small parts could choke if swallowed.
- Make sure you have enough space to layout the parts before starting.
- During assembly do not stand or put weight on the product, this could cause damage.
- Assemble the item as close to its final position (in the same room) as possible.
- Assemble on a soft level surface to avoid damaging the unit or your floor.
- Parts of the assembly will be easier with 2 people.



- To reduce the likelihood of damaging your product please ensure that your power drill is set on a low torque setting.

## Care and Maintenance

- Only clean using a damp cloth and mild detergent, do not use bleach or abrasive cleaners.
- From time to time check that there are no loose screws on this unit.
- This product should not be discarded with household waste. Take to your local authority waste disposal center.

## Handy Hints

- Assemble all parts and bolts loosely during assembly, only once the product is complete should you fully tighten the bolts.
- Regularly check and ensure that all bolts and fittings are tightened properly.

## Warning

**In order to help prevent overturning, please follow these instructions.**

- Use the anti tip strap or wall fixing method provided (if applicable).
- Do not allow children to climb or hang on the furniture.
- Do not open more than one drawer at a time.
- Do not place heavy items in the top drawers.
- Do not place heavy items on top of the furniture, unless the furniture has been designed for this purpose.
- Please note that only the anti tip strap is provided. You will need to provide wall plugs and screws applicable for your wall type.

# Customer Service Guide



Thank you for choosing our product! We are committed to providing you with excellent service. If you find any missing parts, damaged packaging, or product damage after receiving all packages, please follow the steps below to quickly contact our customer service team. We will do our best to resolve your issue.

## 1. Missing Parts

### Verify Parts:

1. Refer to the “Parts List” in the manual to verify the name, specifications, and quantity of the missing parts.
2. Take a clear photo of the parts list and mark the missing parts with detailed information, e.g., “Missing 5 pieces of M6×30mm screws.”

### Contact Us:

#### By Email:

- A description of the missing parts and a photo of the parts list.
- Order details (order number, purchase platform, purchase date).

## 2. Product or Packaging Damage

### If it affects normal use:

#### Steps:

1. Take clear photos or videos showing the damaged parts and the extent of the damage (multi-angle shots are recommended).
2. Email the photos/videos along with order details to, with the subject line “Product Damage Issue.”

#### Resolution:

After verification, we will arrange for a replacement part, product exchange, or refund as quickly as possible.

## If it does not affect normal use:

### Steps:

1. Contact our customer service team .
2. Provide a description of the damage and include relevant photos or videos.

### Resolution:

We will provide repair guidance or an appropriate compensation plan based on the specific situation.

## Helpful Tips

### To process your issue efficiently, please prepare the following information:

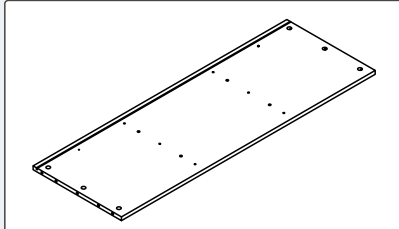
- Order details (order number, purchase platform, purchase date).
- Clear photos or videos.
- We are committed to providing quick and professional solutions, no matter the size of the issue, to ensure your satisfaction.

**Thank you for your trust and support!**  
**We hope you enjoy using our product!**

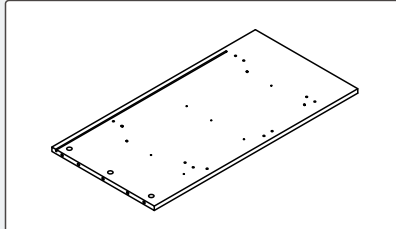
# Parts List - Panels



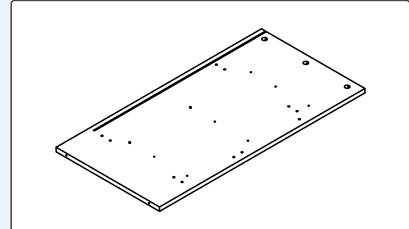
Please check you have all the panels listed below.



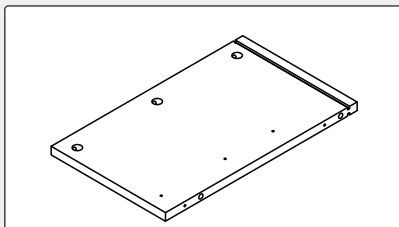
**1** 1149\*400\*15mm x1



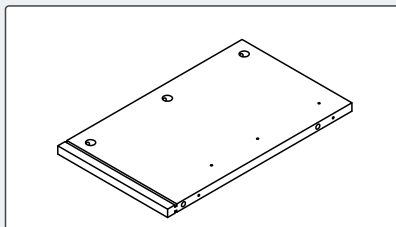
**2** 795\*400\*15mm x1



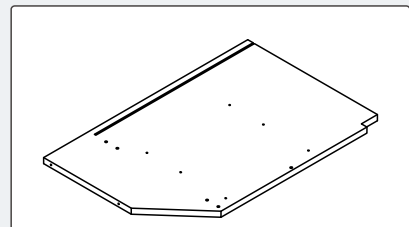
**3** 795\*400\*15mm x1



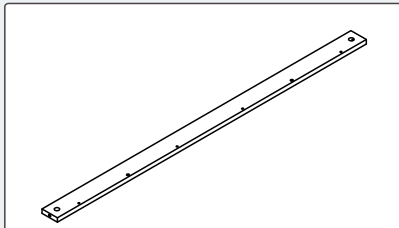
**4** 229\*384\*15mm x1



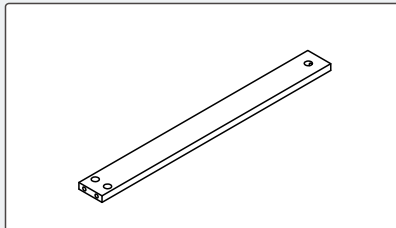
**5** 229\*384\*15mm x1



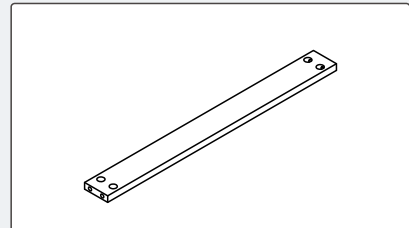
**6** 580\*384\*15mm x1



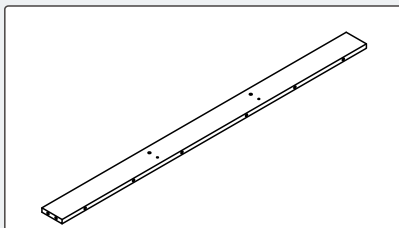
**7** 1207\*60\*15mm x1



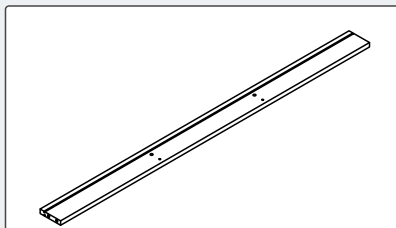
**8** 596\*60\*15mm x1



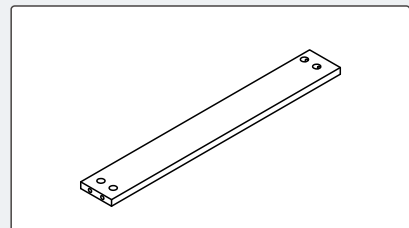
**9** 596\*60\*15mm x1



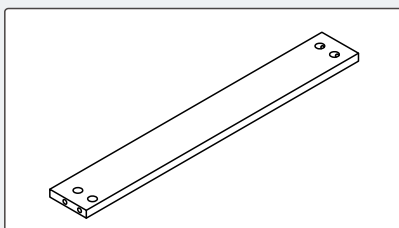
**10** 1207\*80\*15mm x1



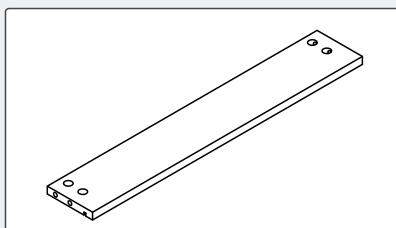
**11** 1207\*80\*15mm x1



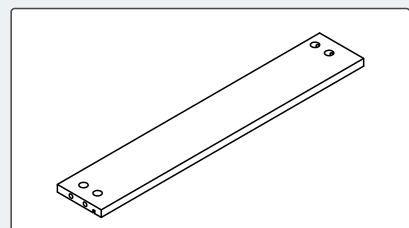
**12** 596\*80\*15mm x1



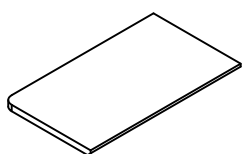
**13** 596\*80\*15mm x1



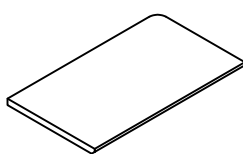
**14** 596\*100\*15mm x1



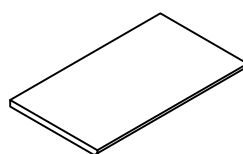
**15** 596\*100\*15mm x1



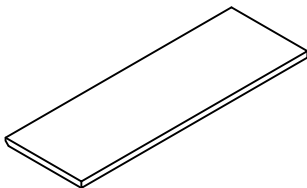
**16** 398\*231\*15mm x1



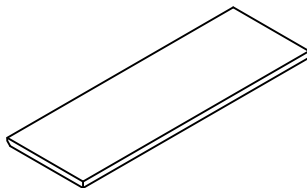
**17** 398\*231\*15mm x1



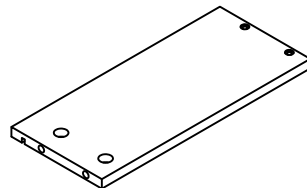
**18** 398\*231\*15mm x1



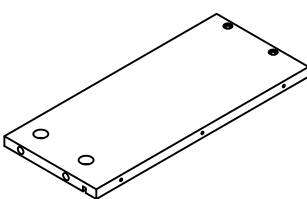
**19** 599\*201\*15mm x2



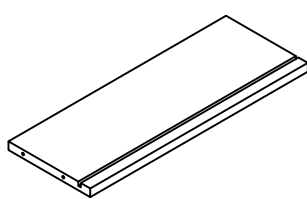
**20** 599\*201\*15mm x2



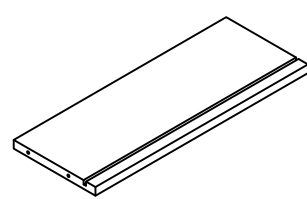
**21** 300\*130\*12mm x7



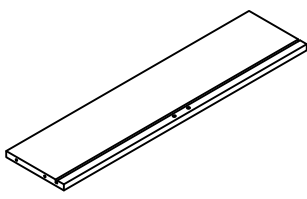
**22** 300\*130\*12mm x7



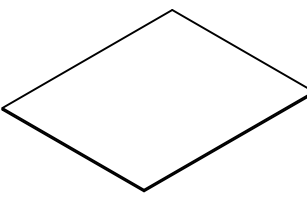
**23** 346\*130\*12mm x2



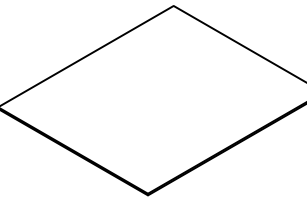
**24** 338\*130\*12mm x1



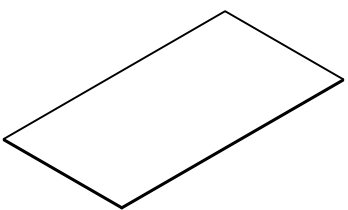
**25** 547\*130\*12mm x4



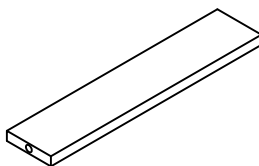
**26** 356\*297\*3mm x2



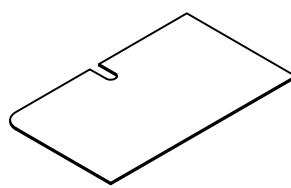
**27** 348\*297\*3mm x1



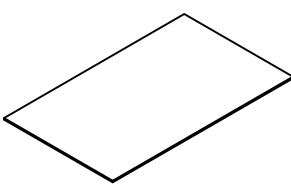
**28** 557\*297\*3mm x4



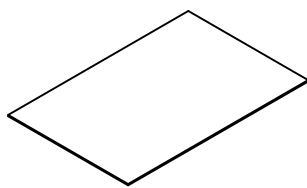
**29** 287\*60\*12mm x4



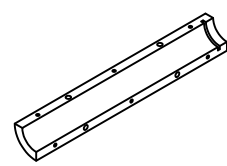
**30** 237\*403\*3mm x2



**31** 237\*393\*3mm x1



**32** 453\*301.5\*3mm x4



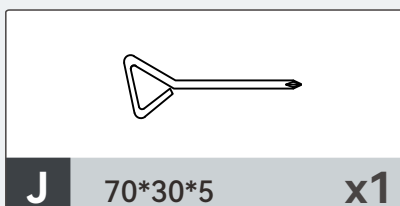
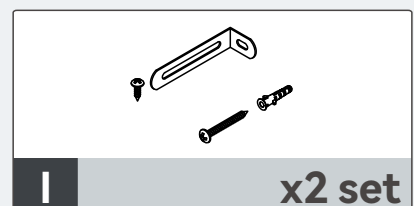
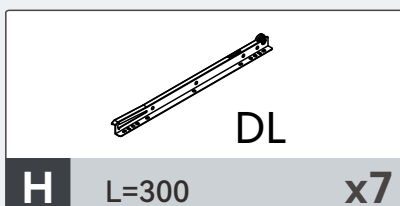
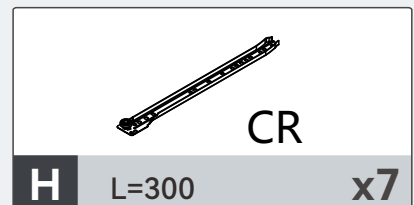
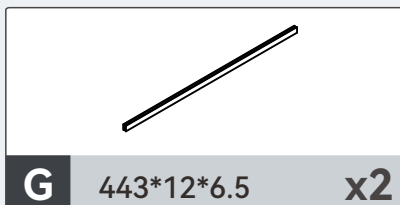
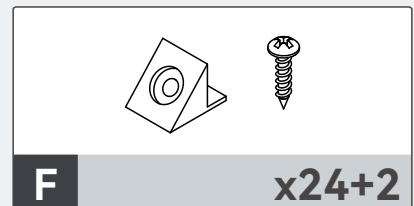
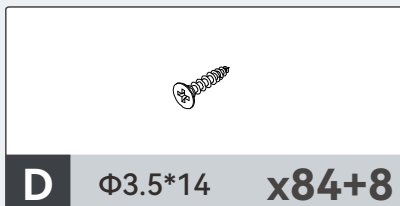
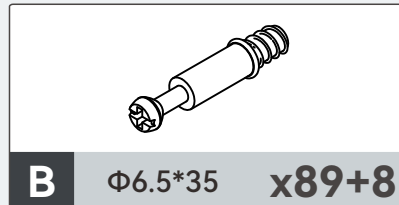
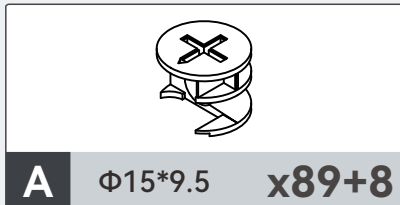
**33** 400\*64\*27mm x2

# Parts List - Fittings



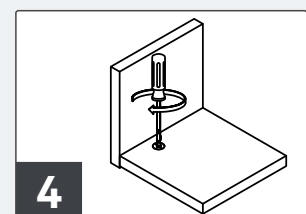
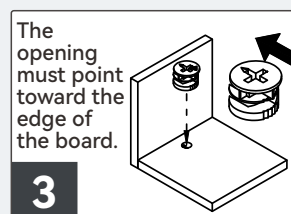
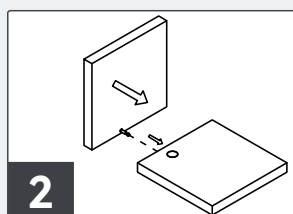
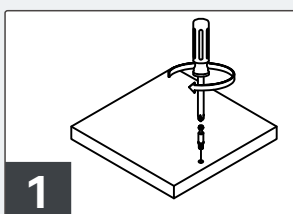
Please check you have all the fittings listed below.

**Note:** The quantities below are the correct amount to complete the assembly. In some cases more fittings may be supplied are required.



## Cam Lock Fastening System

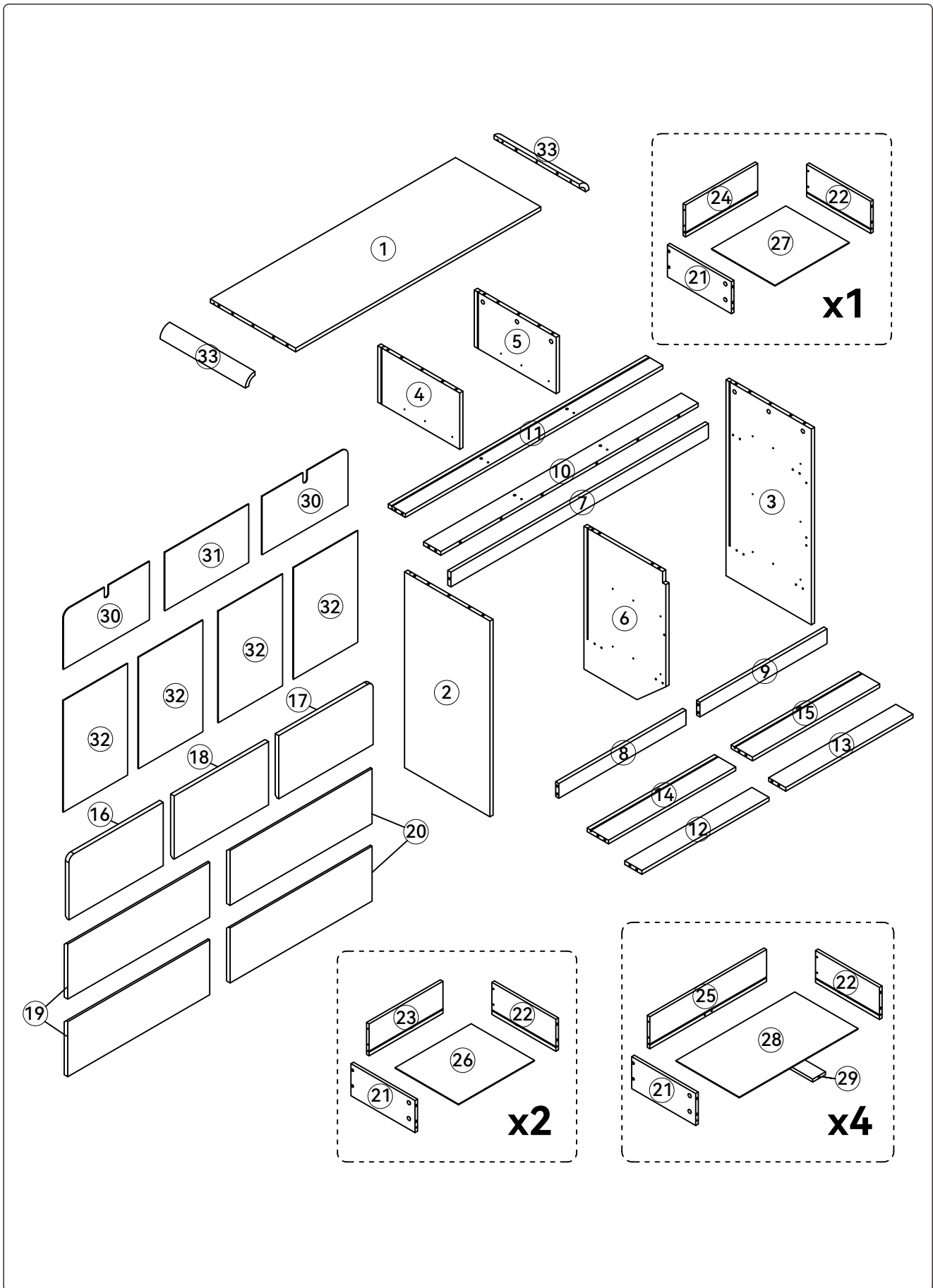
Insert the cam bolt into the hole first, then insert the cam lock and lock it.



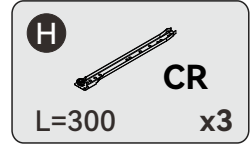
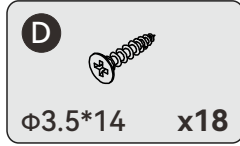
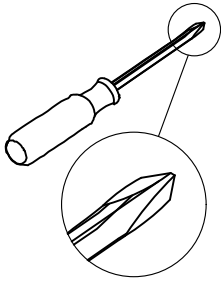
# Assembly Instructions



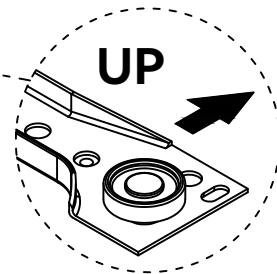
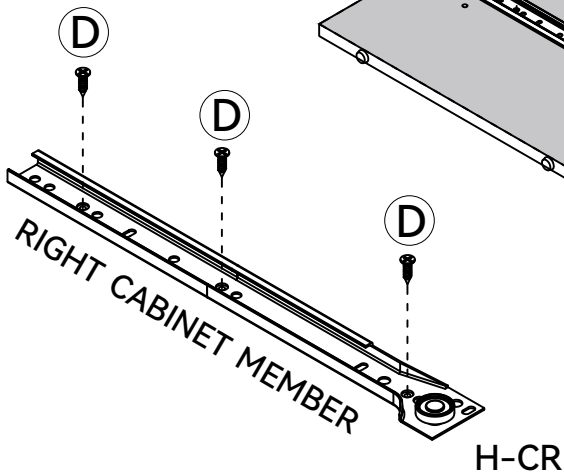
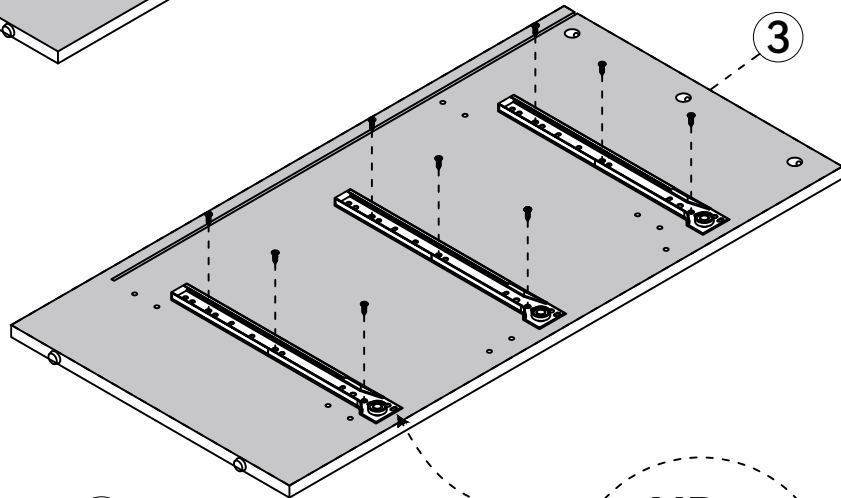
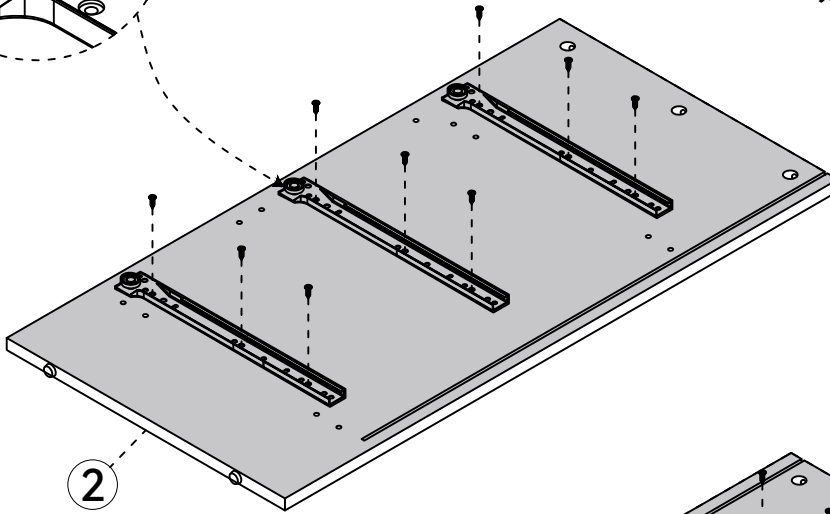
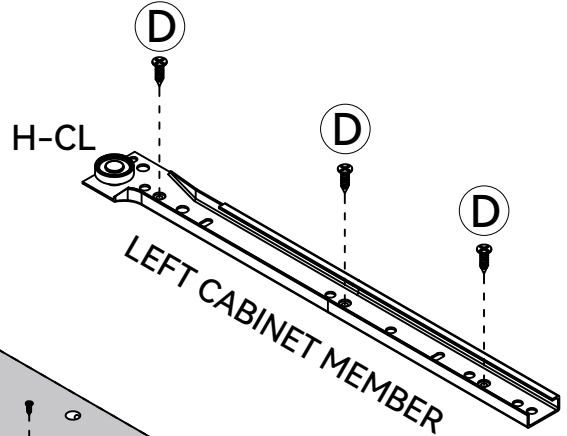
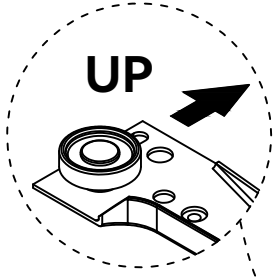
EN



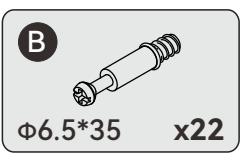
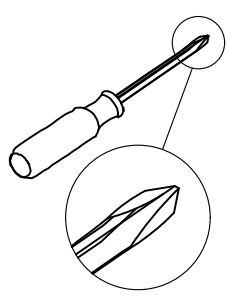
Step 1



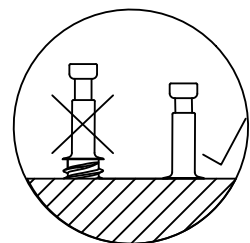
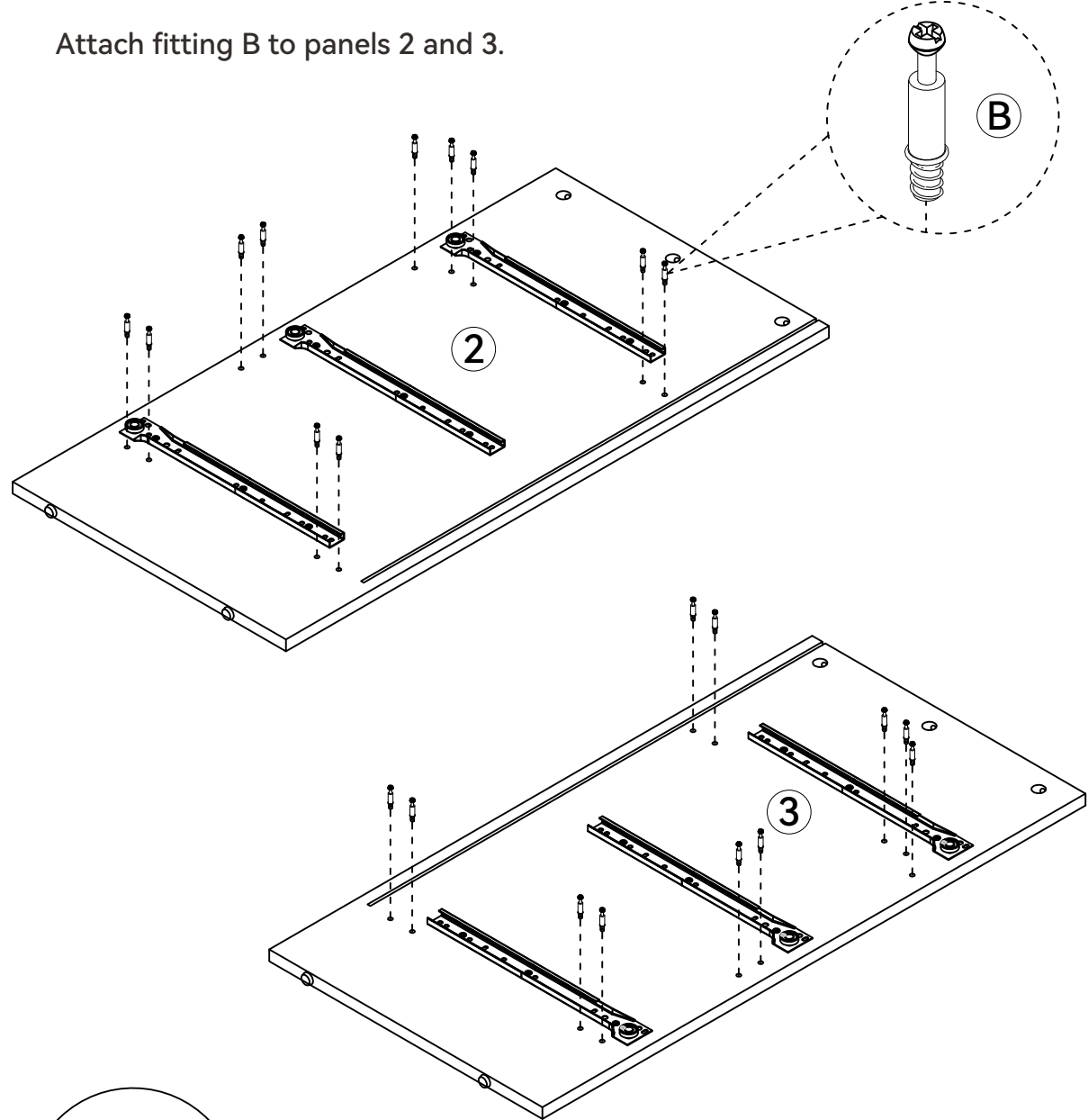
Using screw D, attach fitting H to panels 2 and 3 as shown.



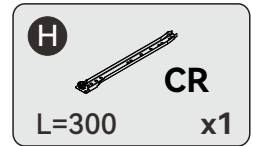
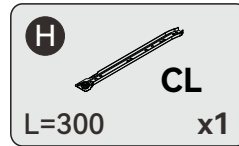
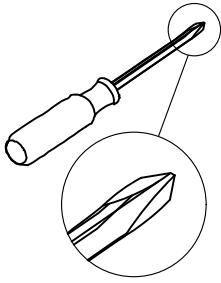
# Step 2



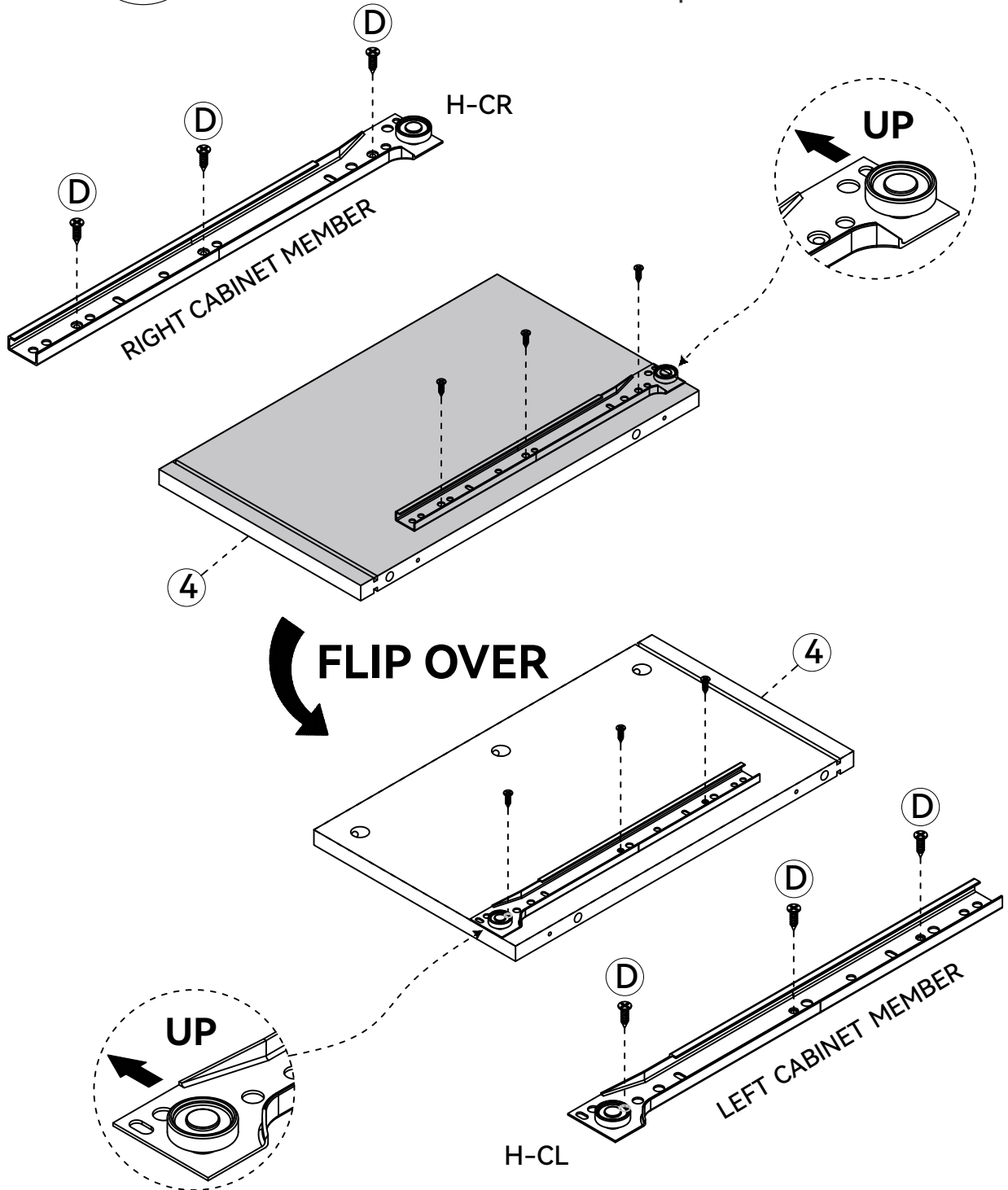
Attach fitting B to panels 2 and 3.



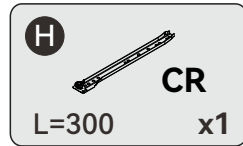
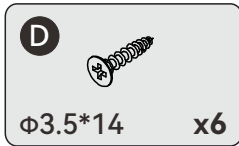
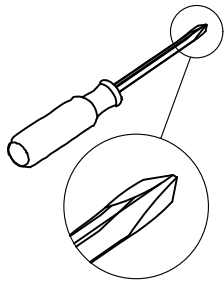
## Step 3



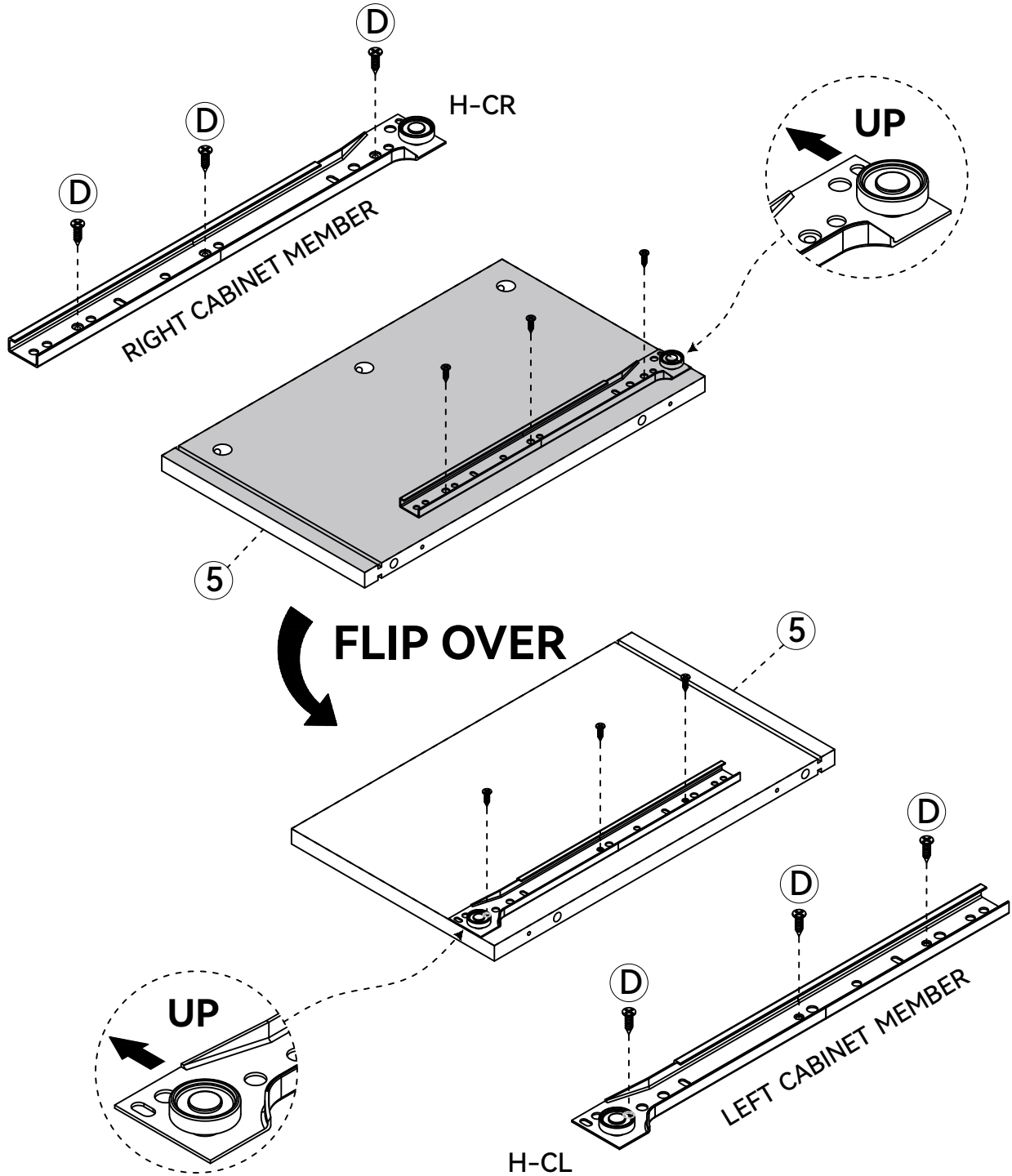
Using screw D, attach fitting H to both sides of panel 4 as shown.



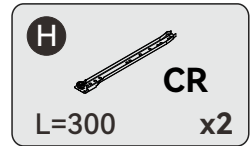
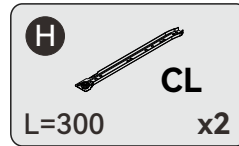
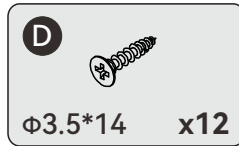
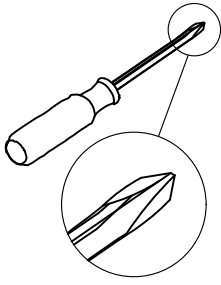
# Step 4



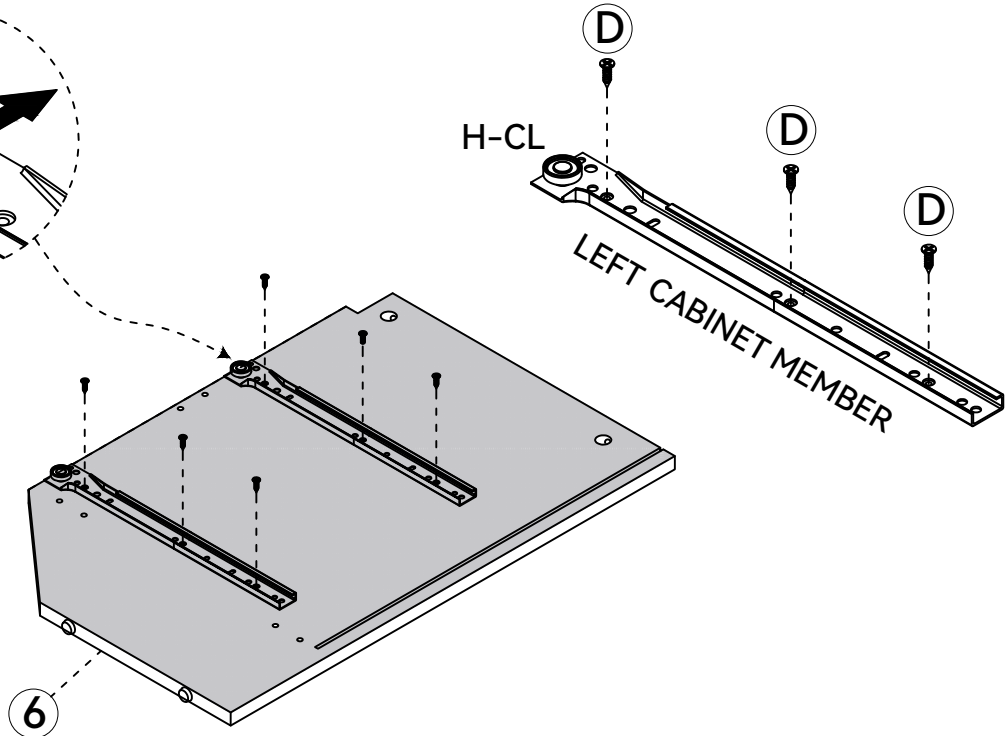
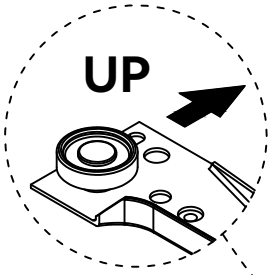
Using screw D, attach fitting H to both sides of panel 5 as shown.



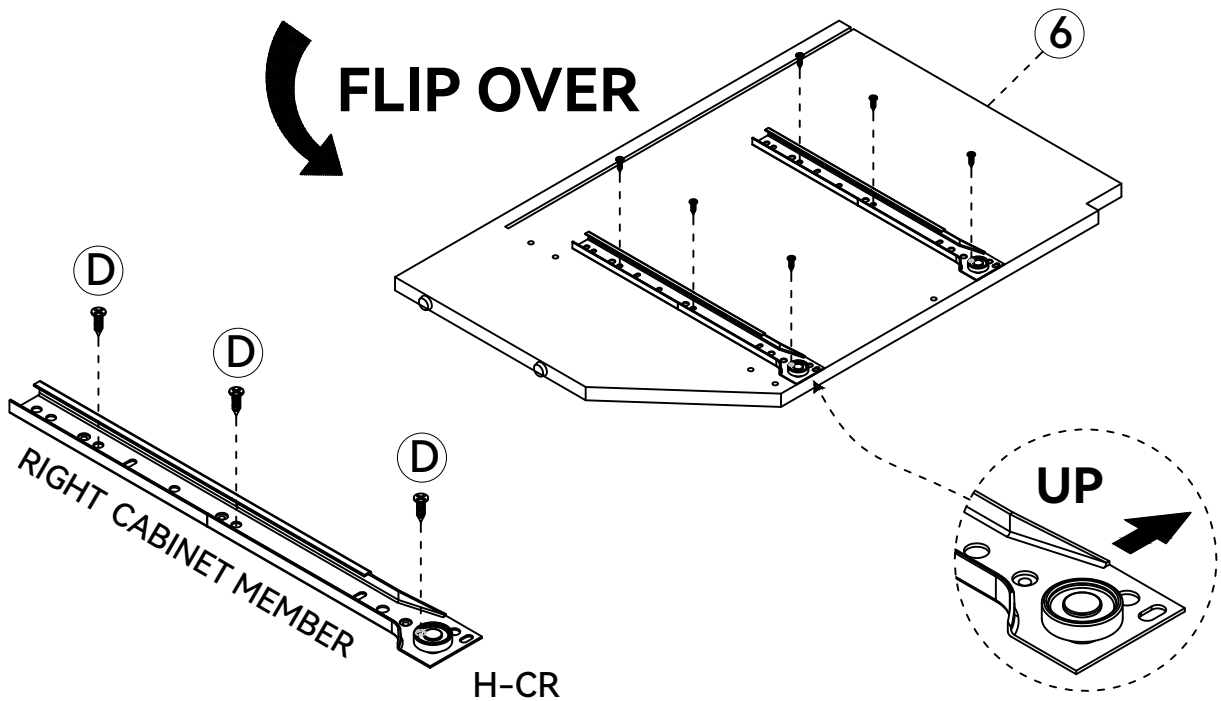
## Step 5



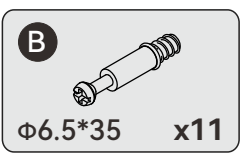
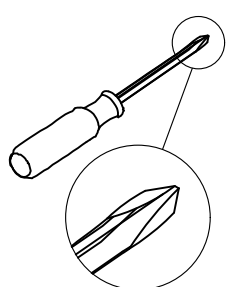
Using screw D, attach fitting H to both sides of panel 6 as shown.



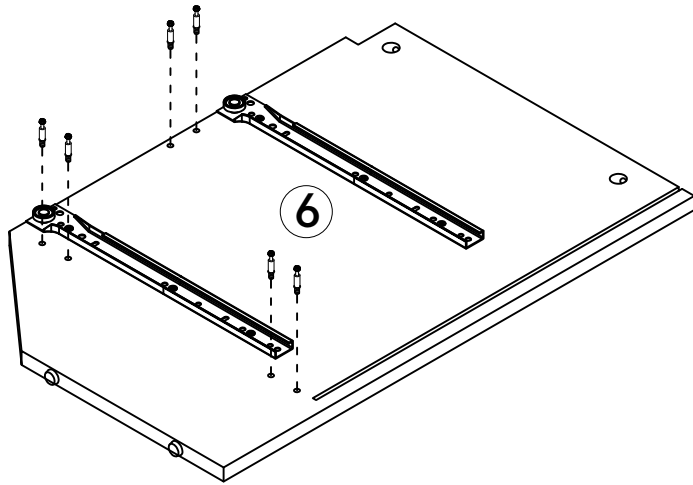
**FLIP OVER**



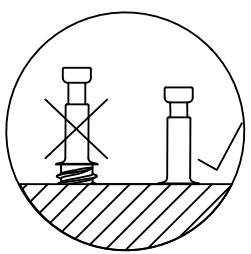
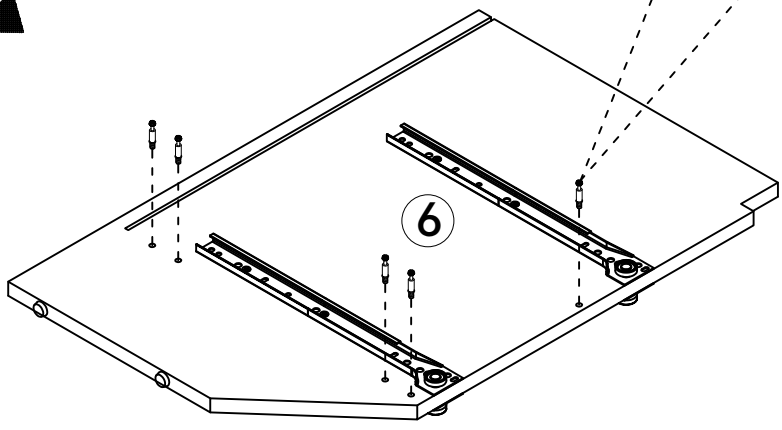
**Step 6**



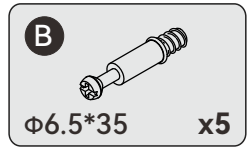
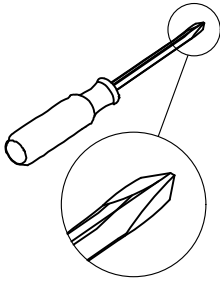
Attach fitting B to both sides of panel 6.



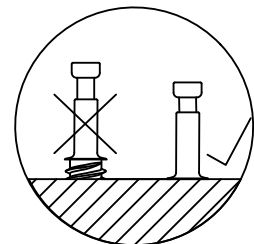
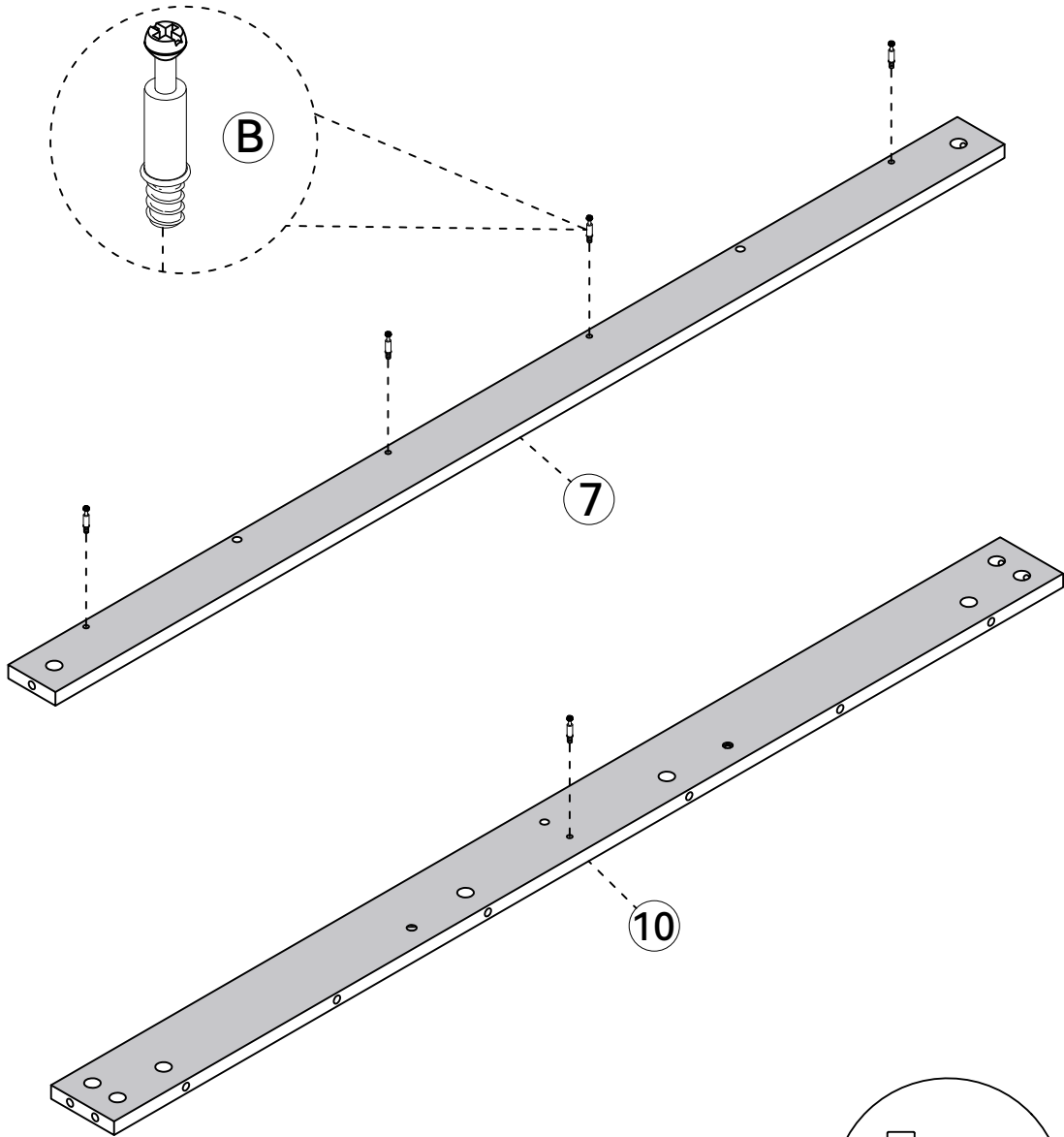
**FLIP OVER**



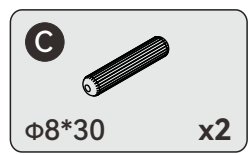
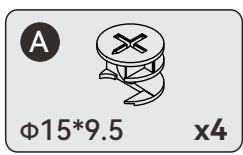
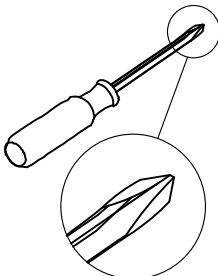
# Step 7



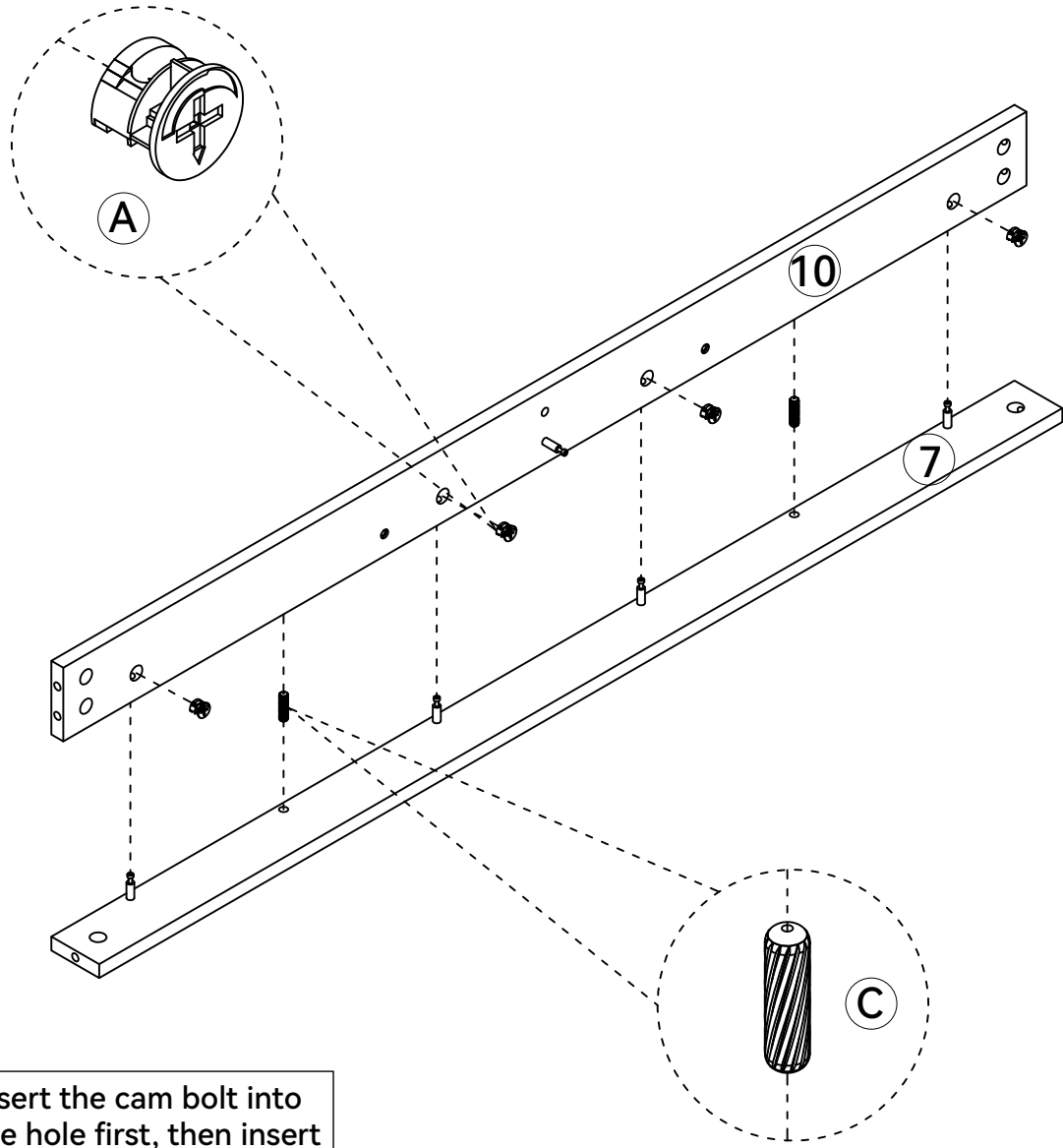
Attach fitting B to panels 7 and 10.



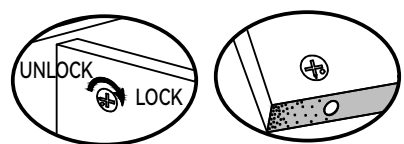
# Step 8



Use fitting C to align panels 7 and 10 with the corresponding holes, then rotate fitting A clockwise and secure it to panel 10 as shown.

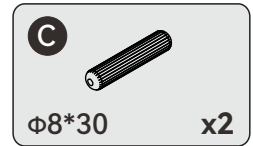
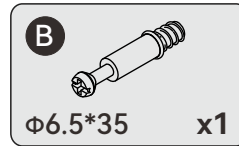
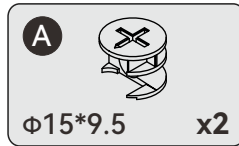
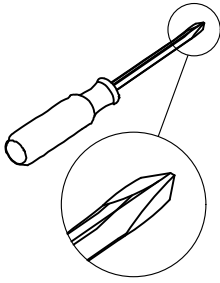


Insert the cam bolt into the hole first, then insert the cam lock and lock it.

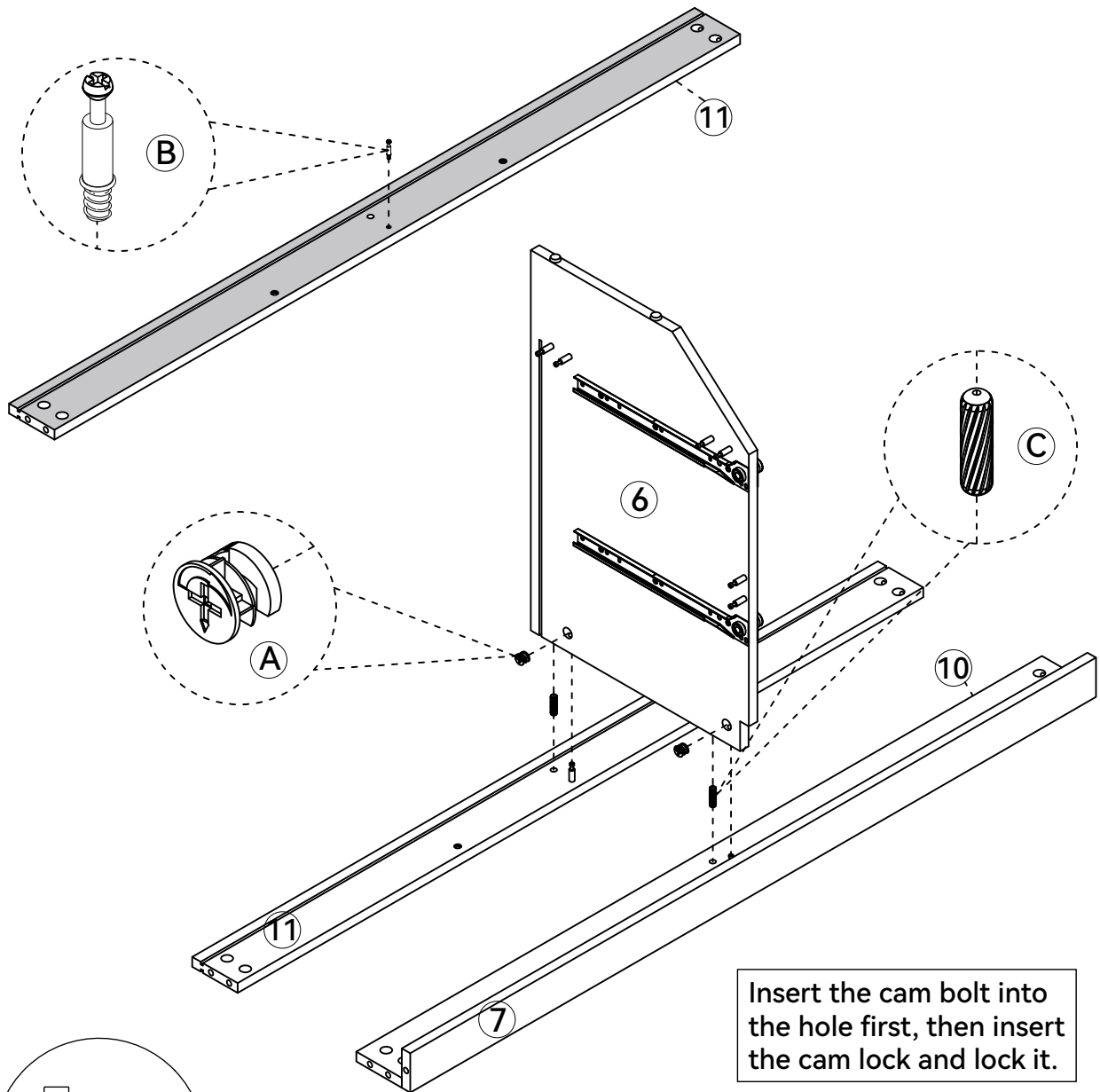


Proper orientation of CAM LOCK

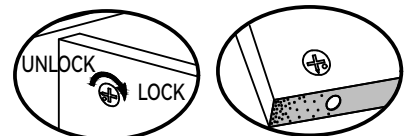
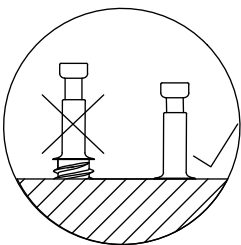
## Step 9



First, attach fitting B to panel 11. Then use fitting C to align panel 6 with panels 10 and 11, and rotate fitting A clockwise to secure it to panel 6 as shown.

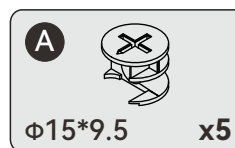
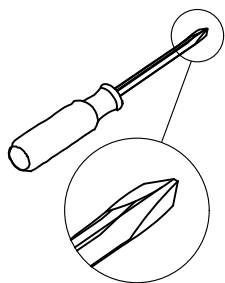


Insert the cam bolt into the hole first, then insert the cam lock and lock it.

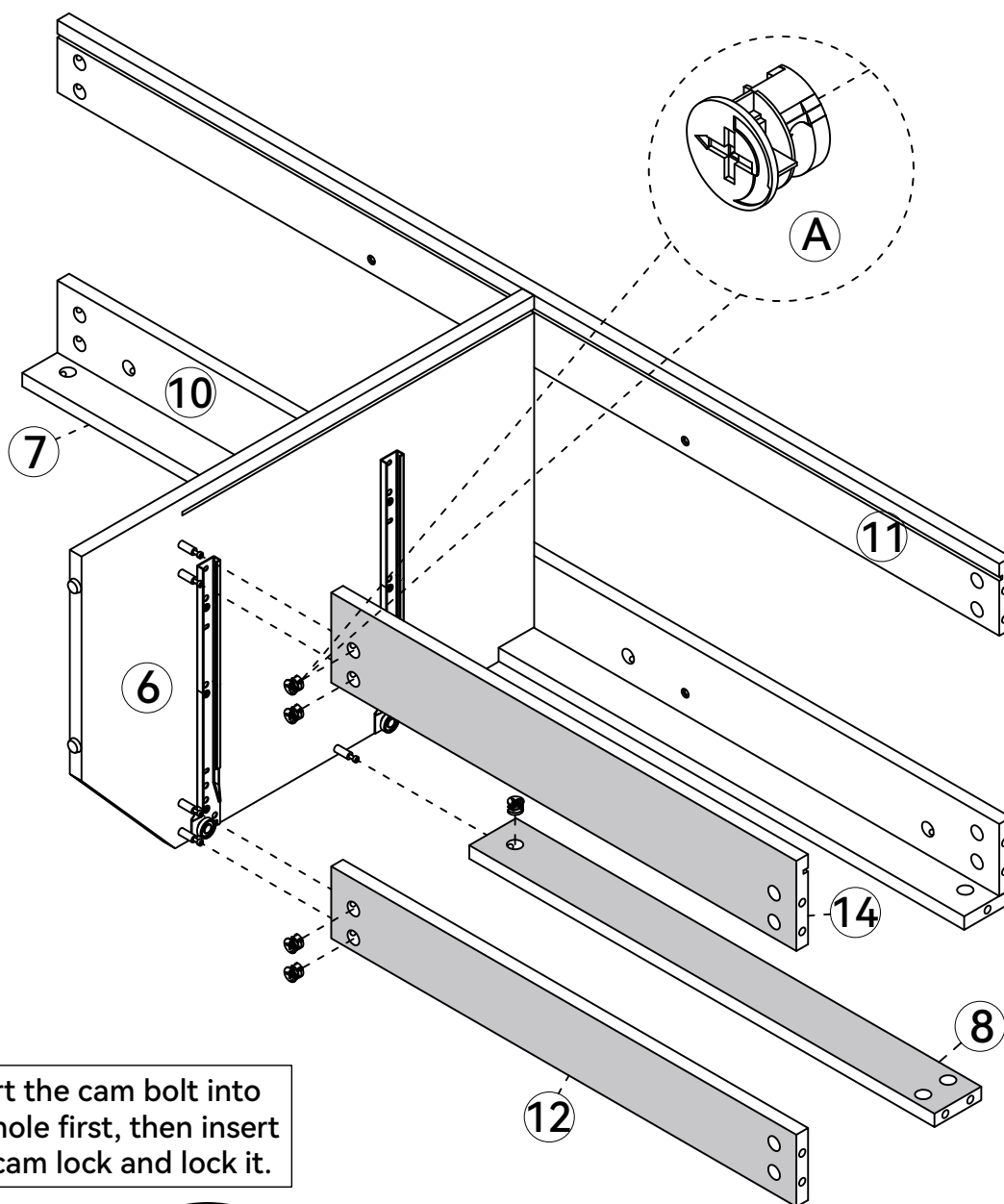


Proper orientation of CAM LOCK

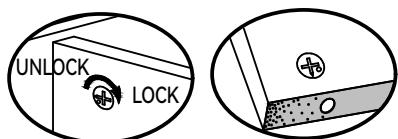
## Step 10



As shown, insert the corresponding holes of panels 8, 12, and 14 into panel 6, then rotate fitting A clockwise and secure it to panels 8, 12, and 14.



Insert the cam bolt into the hole first, then insert the cam lock and lock it.

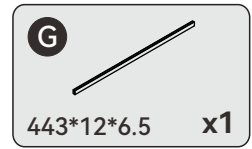
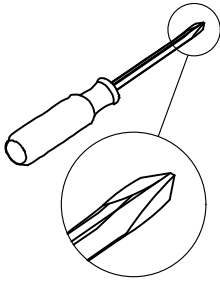


Proper orientation of CAM LOCK

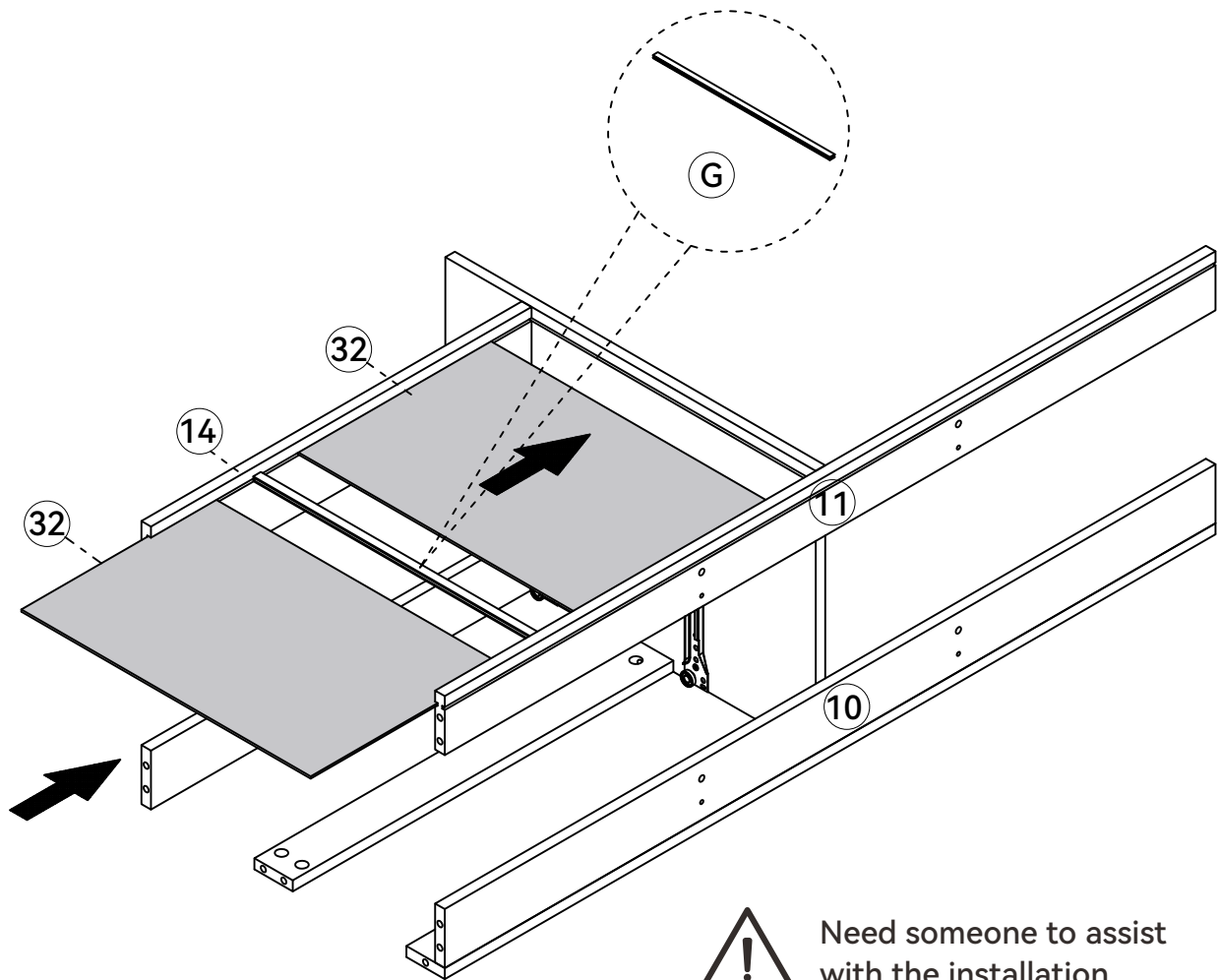


12 Number plate left front end distance from the center of the circle of part A is 15 mm.

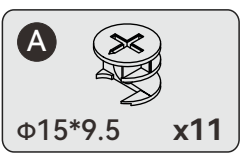
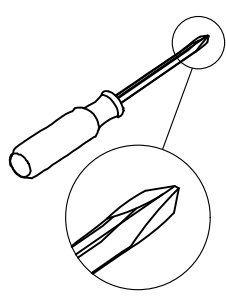
## Step 11



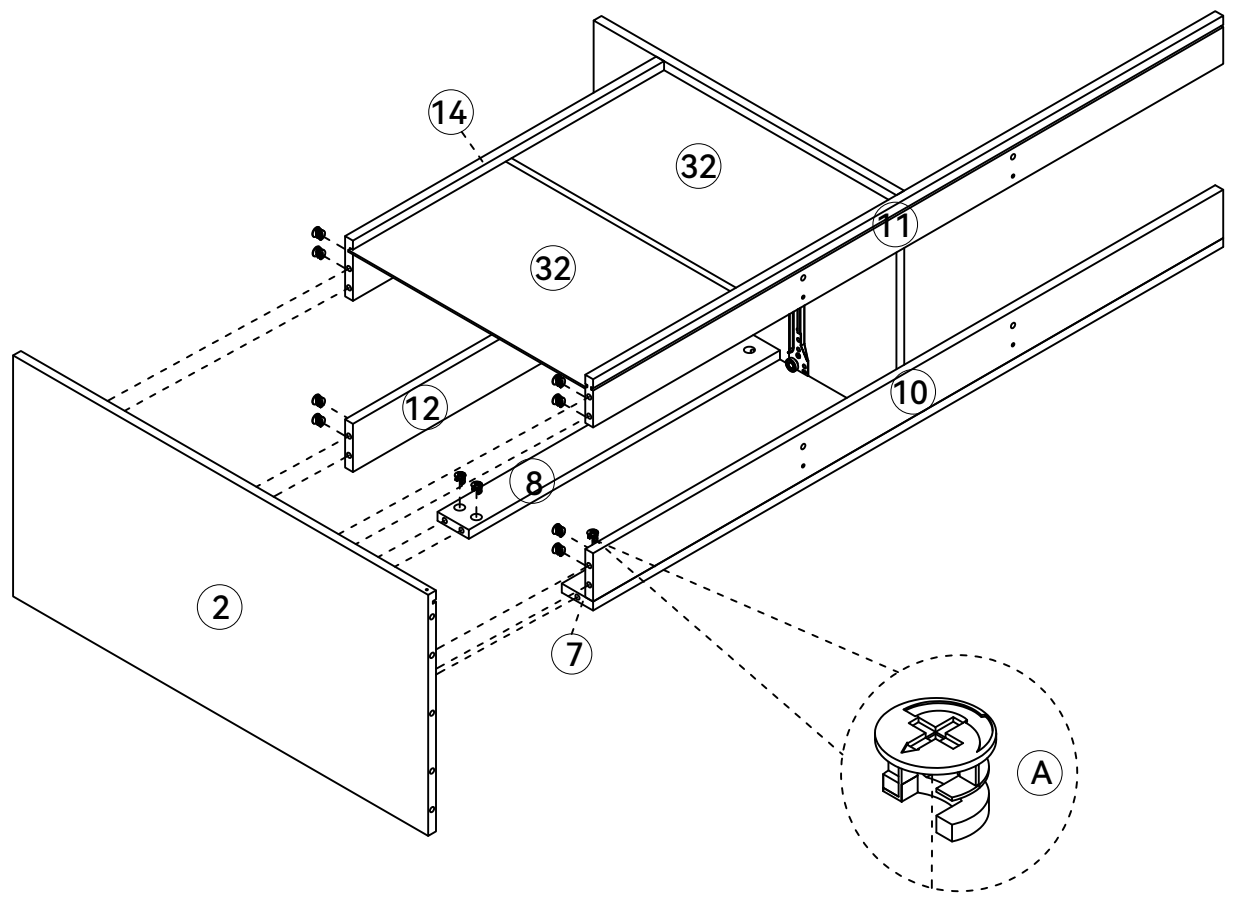
Connect panel 32 with fitting G, and insert it into the grooves of panels 11 and 14.



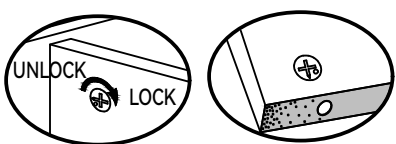
# Step 12



Align panel 2 with the corresponding holes in panels 7, 8, 10, 11, 12, and 14, then rotate fitting A clockwise to secure it to all panels as shown.



Insert the cam bolt into the hole first, then insert the cam lock and lock it.



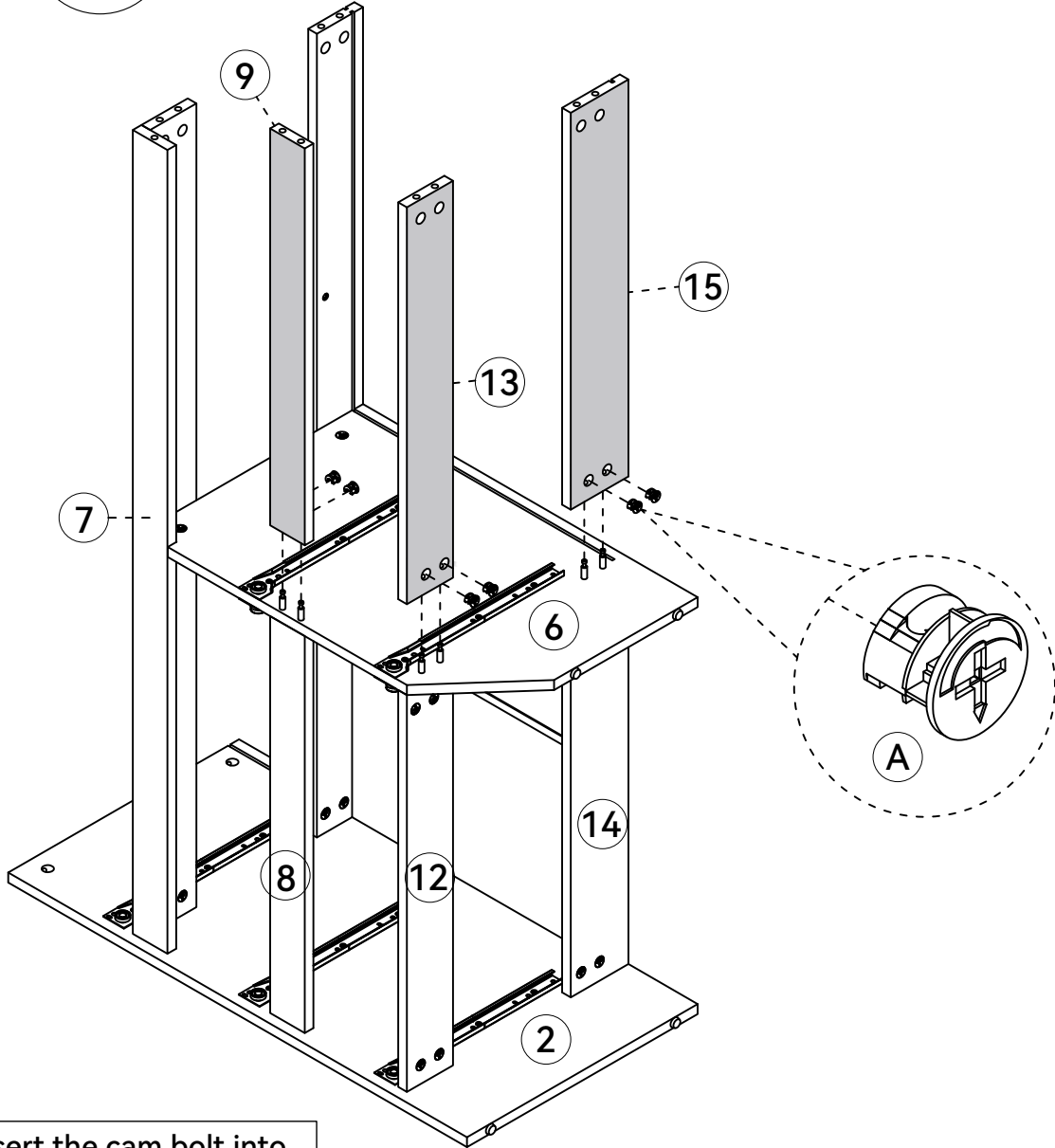
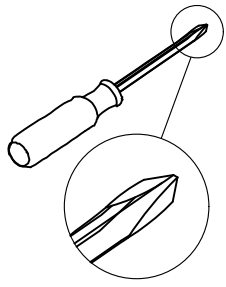
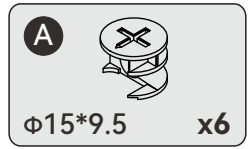
Proper orientation of CAM LOCK



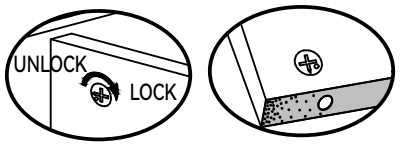
Need someone to assist with the installation.

# Step 13

Align panel 6 with the corresponding holes in panels 9, 13, and 15, then rotate fitting A clockwise to secure it to panels 9, 13, and 15 as shown.



Insert the cam bolt into the hole first, then insert the cam lock and lock it.

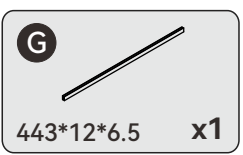
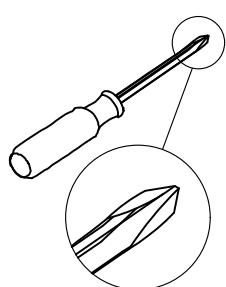


Proper orientation of CAM LOCK

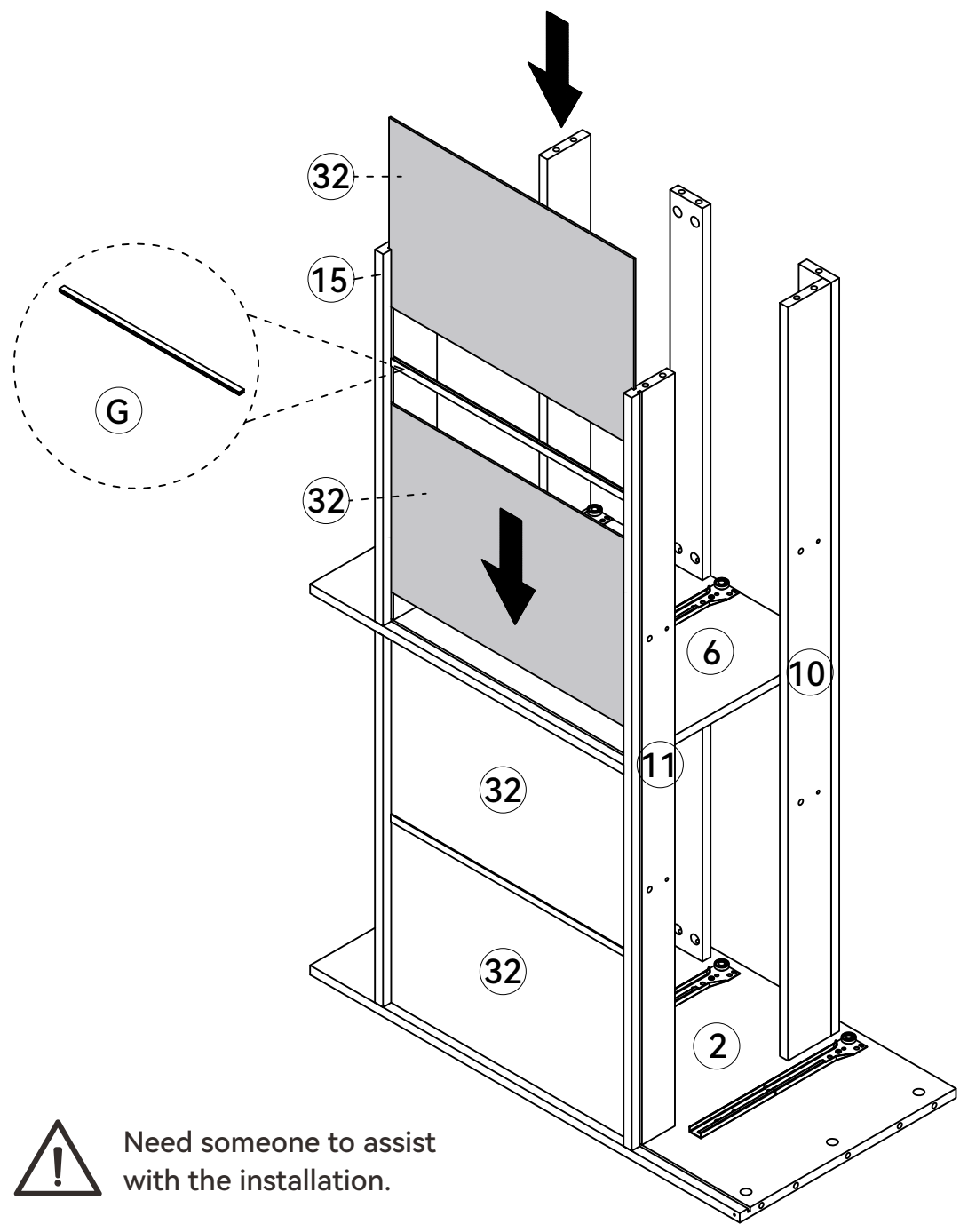


13 Number plate left front end distance from the center of the circle of part A is 33 mm.

# Step 14

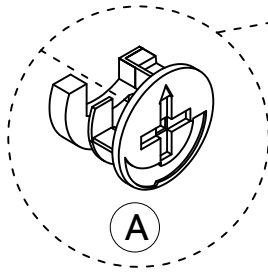
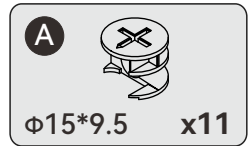
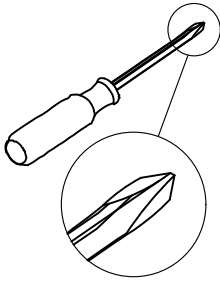


Connect panel 32 with fitting G, and insert it into the grooves of panels 11 and 15.

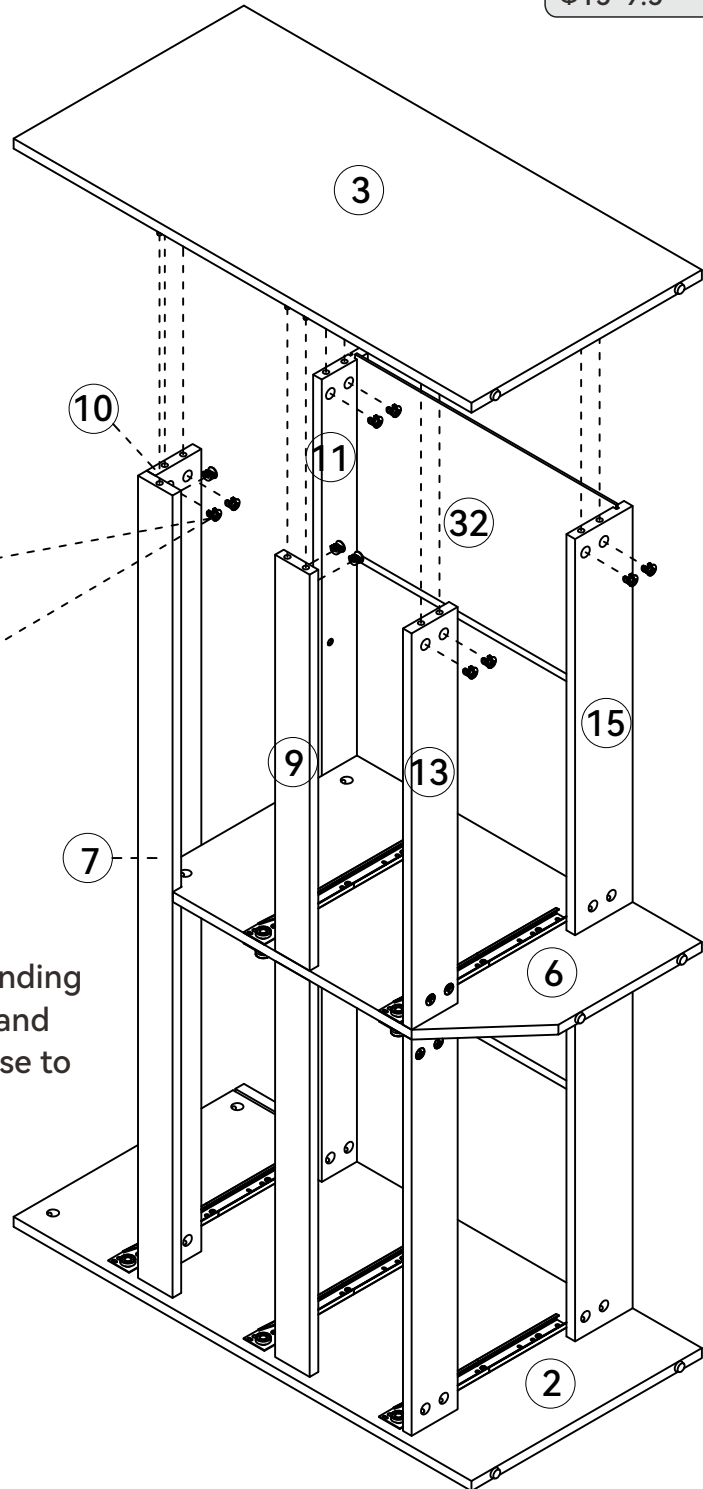


Need someone to assist with the installation.

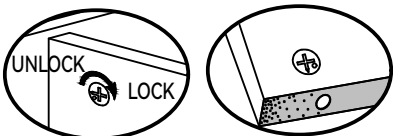
## Step 15



Align panel 3 with the corresponding holes in panels 7, 9, 10, 11, 13, and 15, then rotate fitting A clockwise to secure it as shown.



Insert the cam bolt into the hole first, then insert the cam lock and lock it.

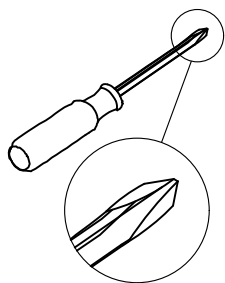


Proper orientation of CAM LOCK

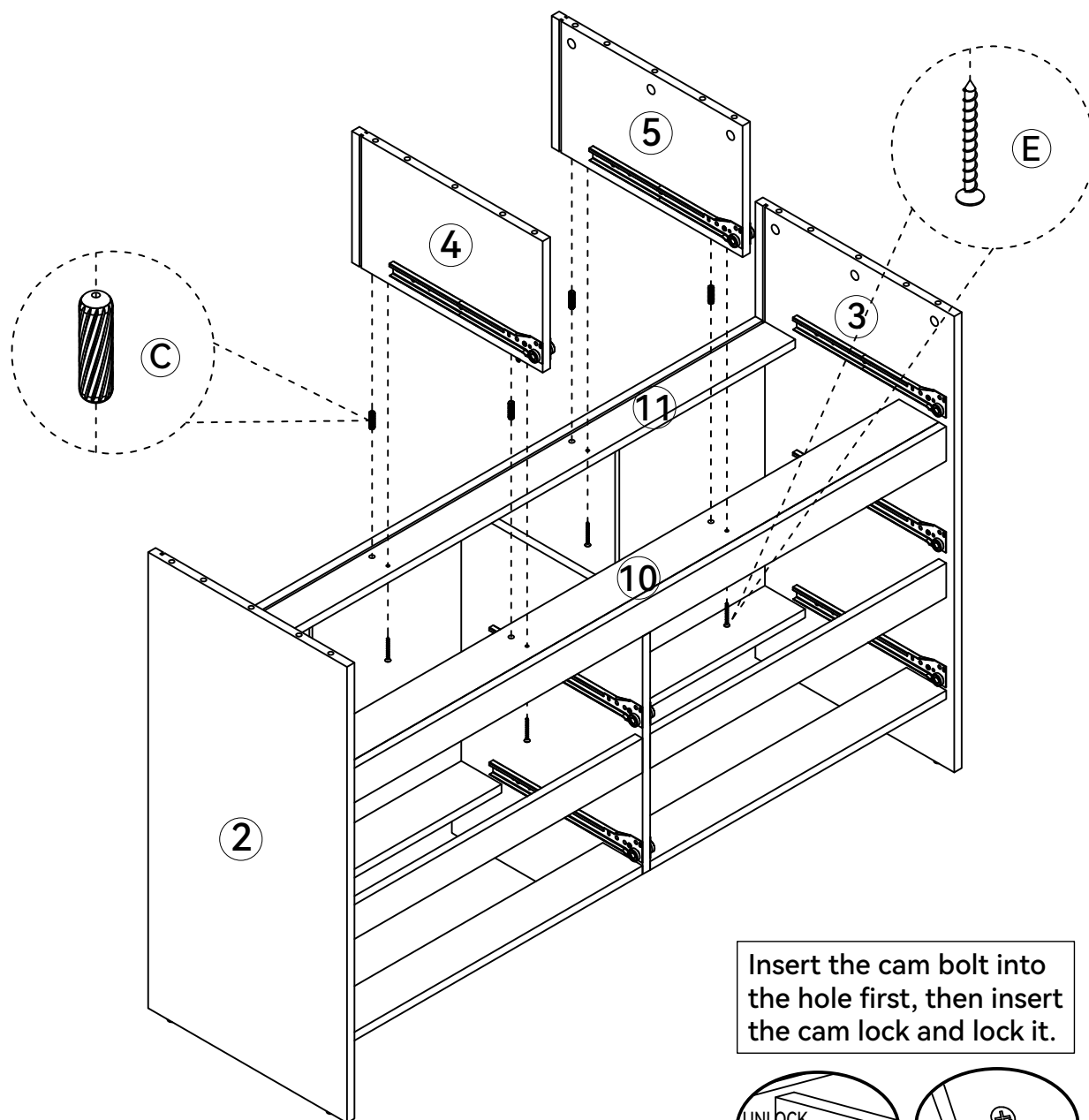


Need someone to assist with the installation.

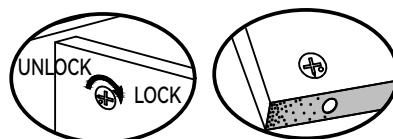
## Step 16



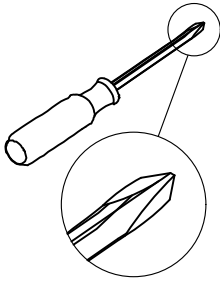
Use fitting C to align panels 4 and 5 with panels 10 and 11, then rotate as shown and secure fitting E to panels 10 and 11.



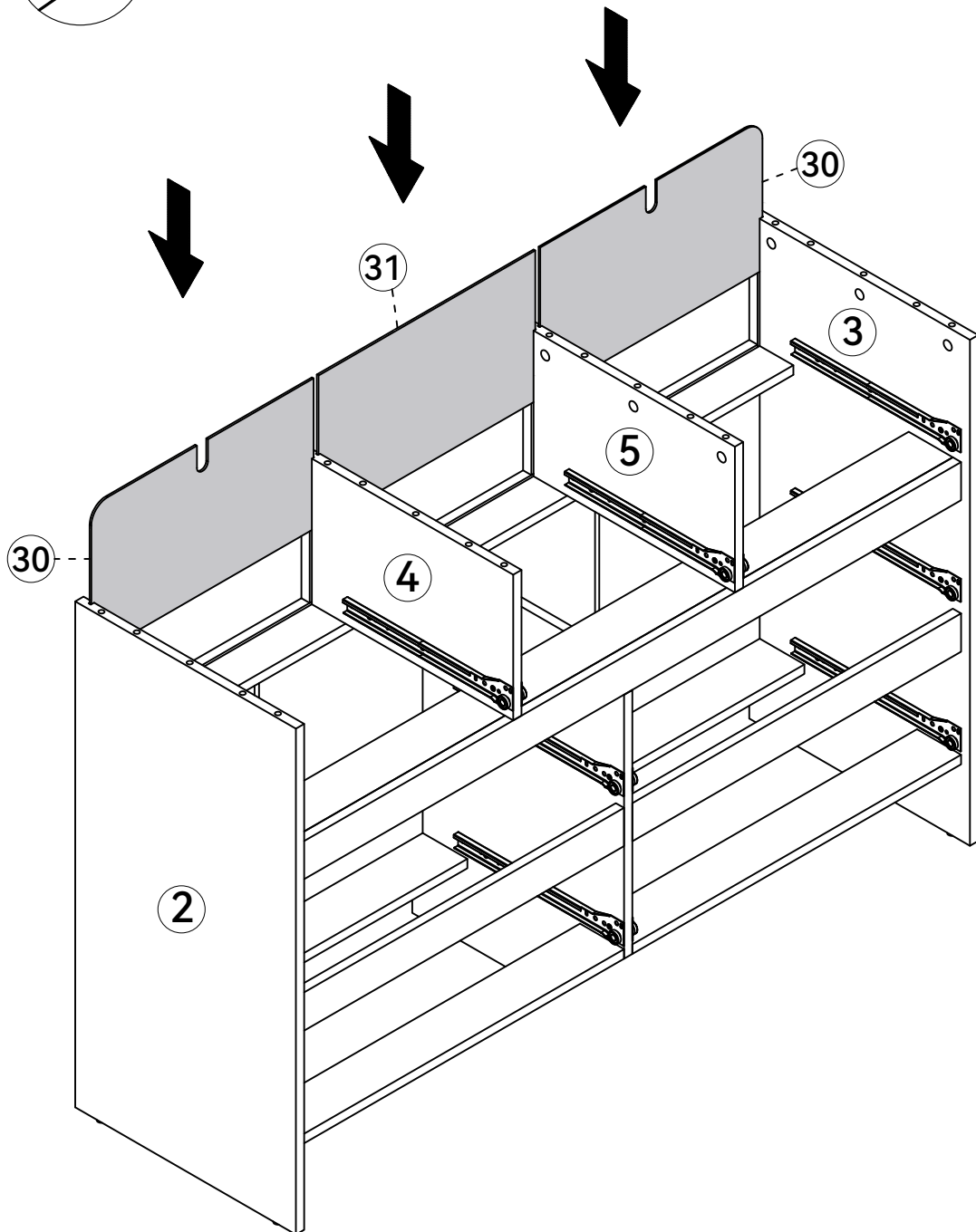
Insert the cam bolt into the hole first, then insert the cam lock and lock it.



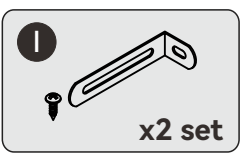
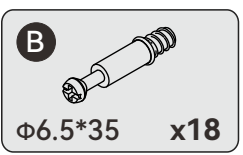
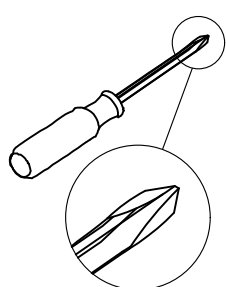
Proper orientation of CAM LOCK

**Step 17**

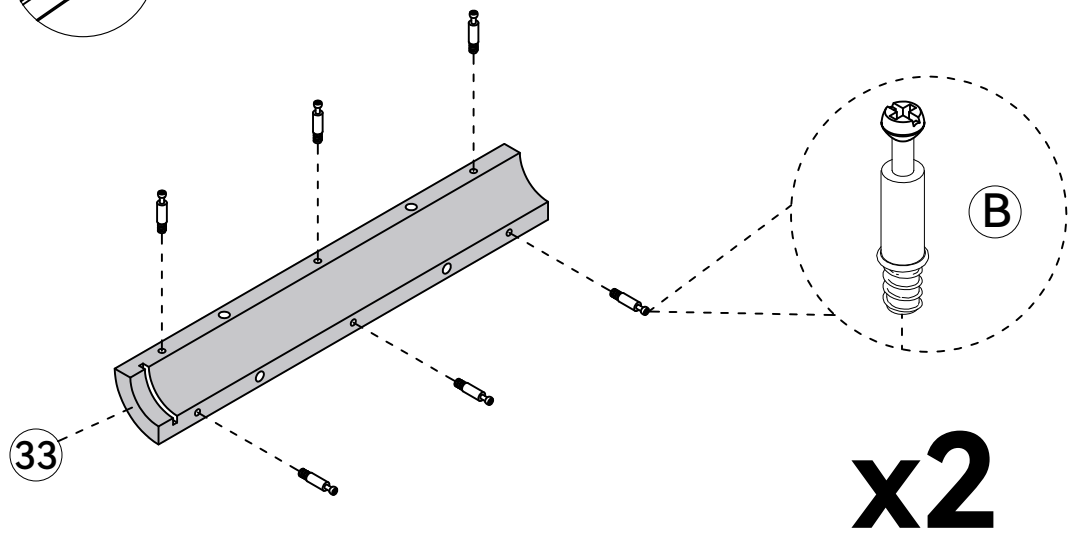
Insert panels 30 and 31 into the grooves of panels 2, 3, 4, and 5 as shown.



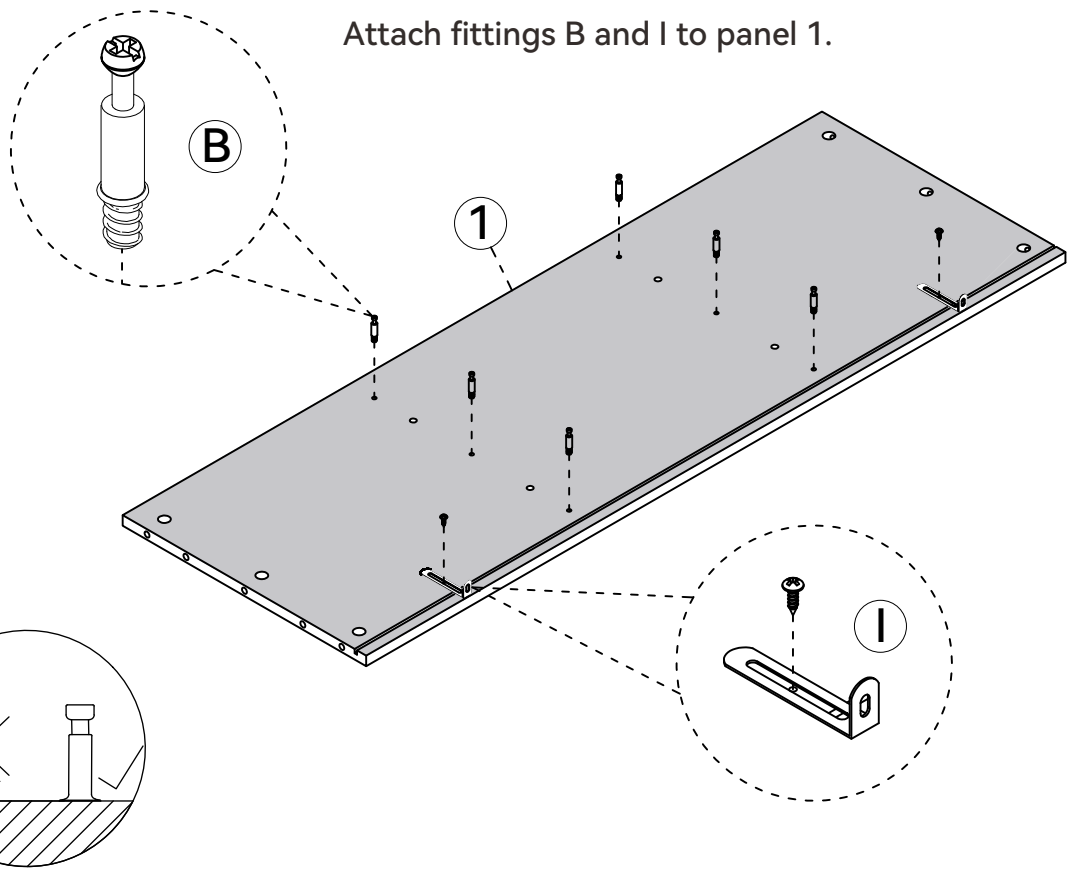
Step 18



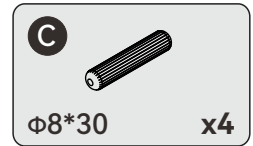
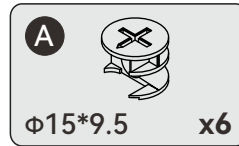
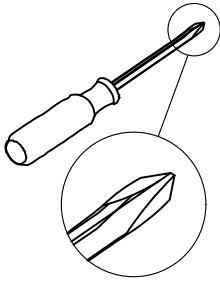
Attach fitting B to panel 33.



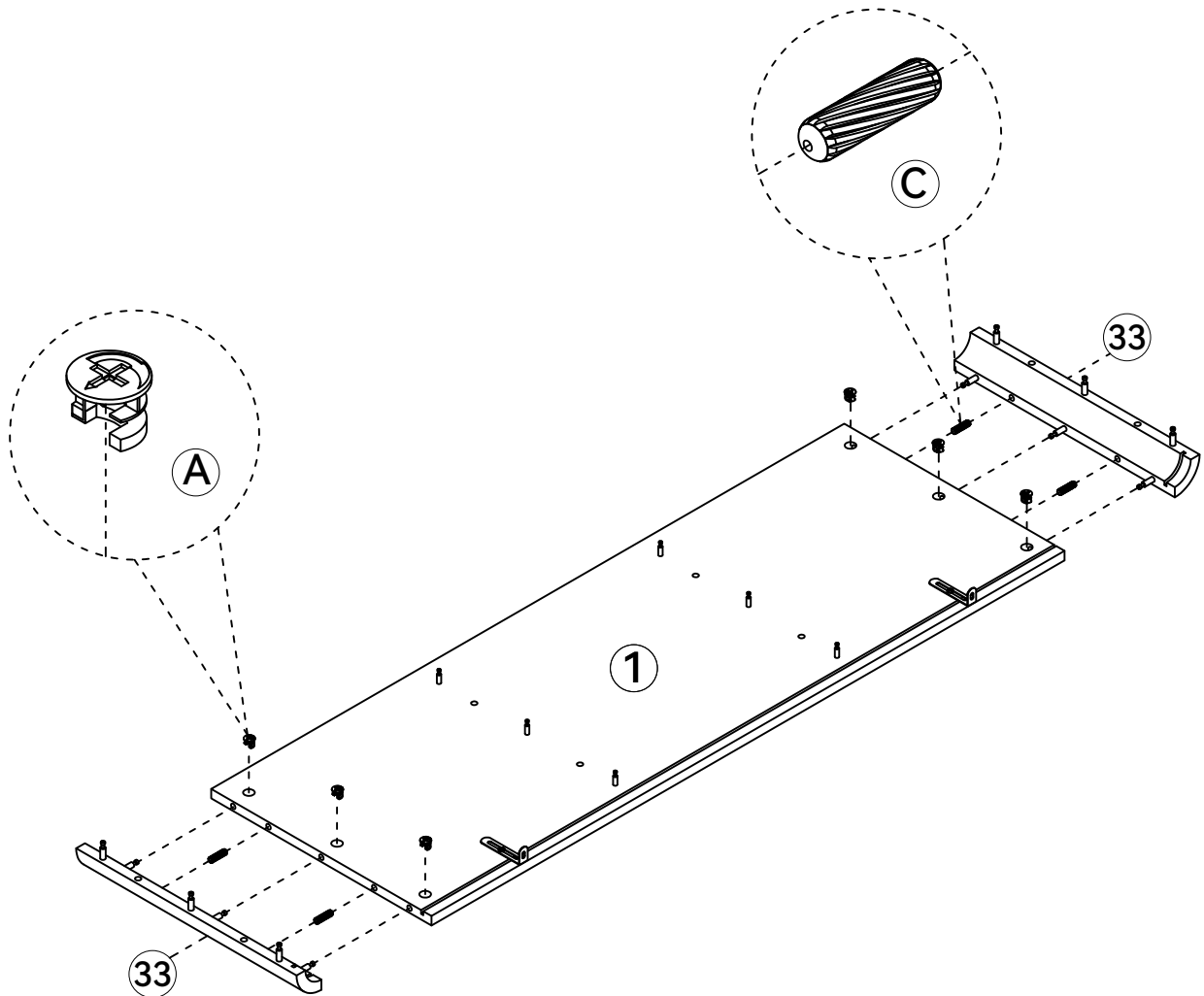
Attach fittings B and I to panel 1.



## Step 19

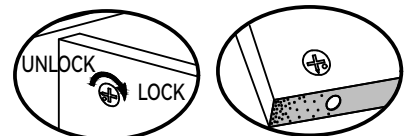


Use fitting C to align panel 1 with panel 33, then rotate fitting A clockwise and secure it to panel 1 as shown.



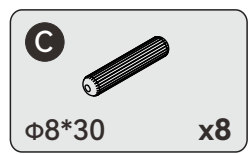
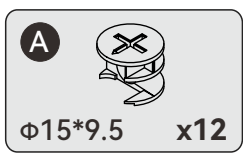
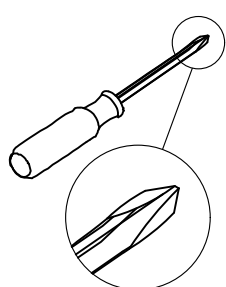
The side of groove No.1 and No.33 shall be aligned.

Insert the cam bolt into the hole first, then insert the cam lock and lock it.

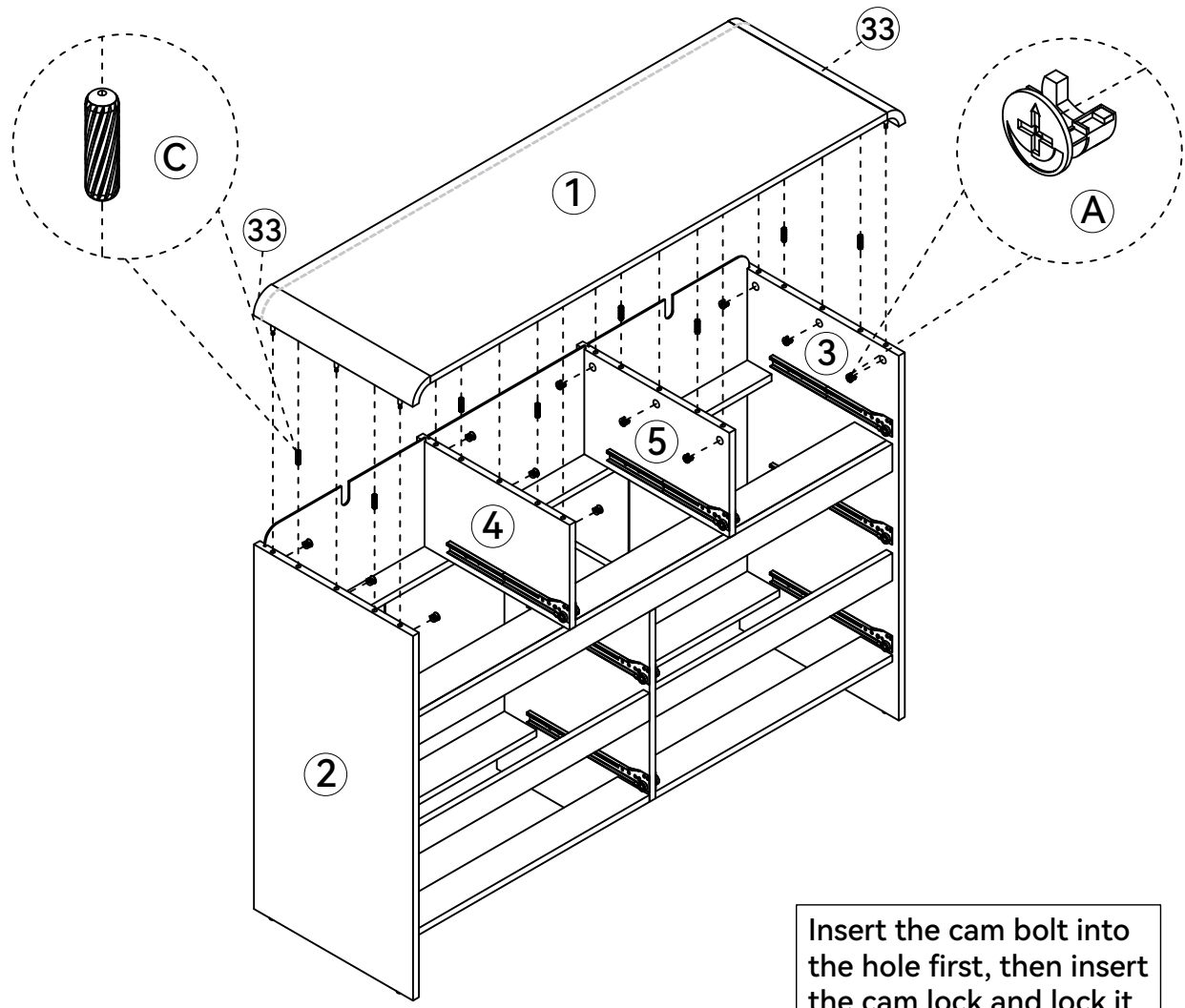


Proper orientation of CAM LOCK

# Step 20



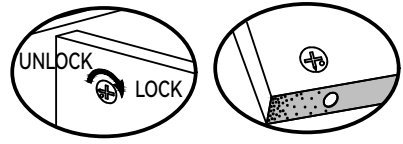
Use fitting C to align the holes of panels 1 and 33 with panels 2, 3, 4, and 5, then rotate fitting A clockwise and secure as shown.



Insert the cam bolt into the hole first, then insert the cam lock and lock it.

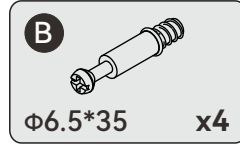
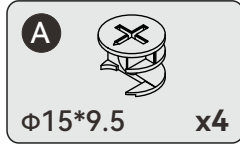
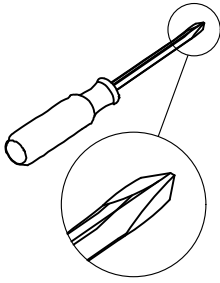


Need someone to assist with the installation.

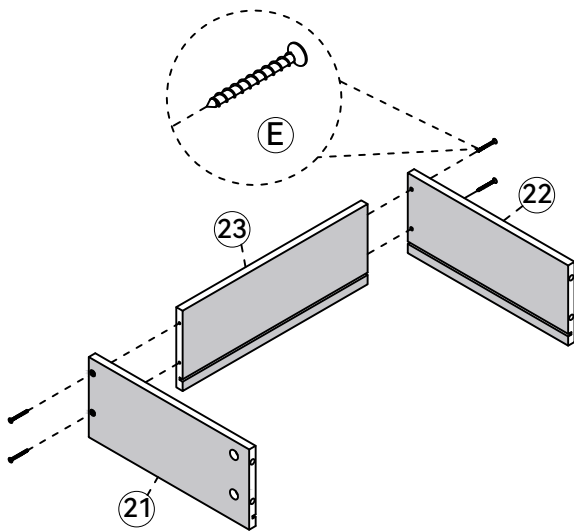


Proper orientation of CAM LOCK

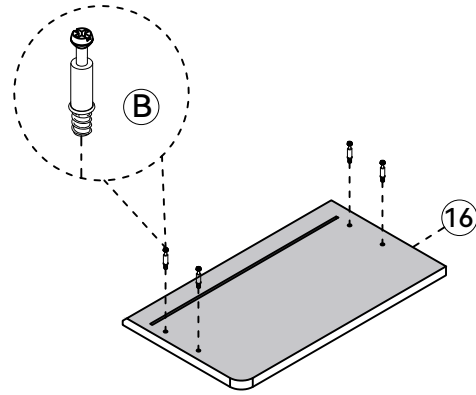
Step 21



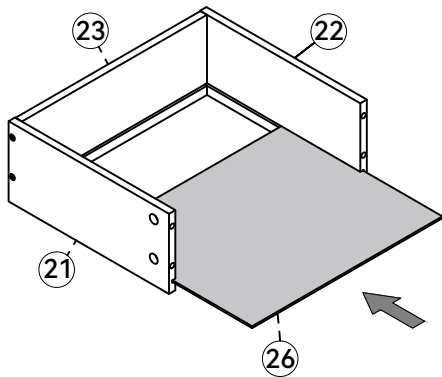
Using screws E, attach panels 21, 22, and 23 together, then insert panel 26 as shown. Attach fitting B to panel 16, flip it over, connect to panels 21 and 22, and secure with fitting A.



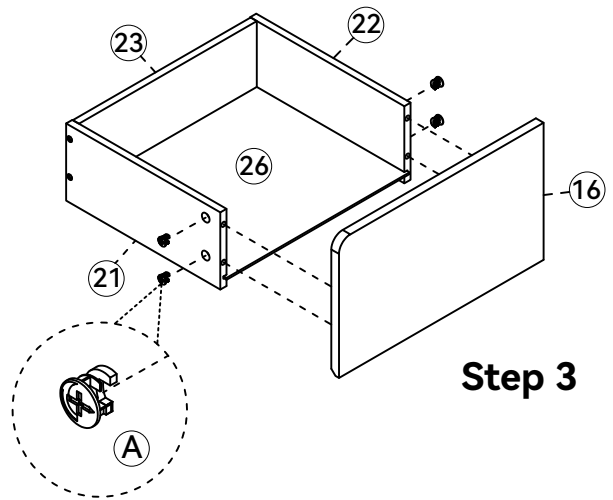
Step 1



**FLIP OVER**

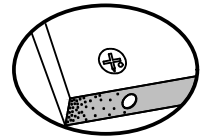
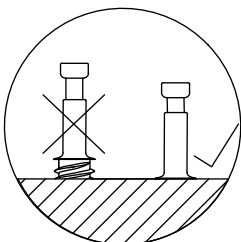


Step 2



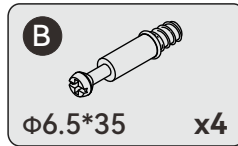
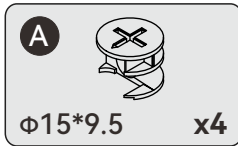
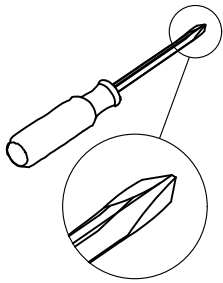
Step 3

Insert the cam bolt into the hole first, then insert the cam lock and lock it.

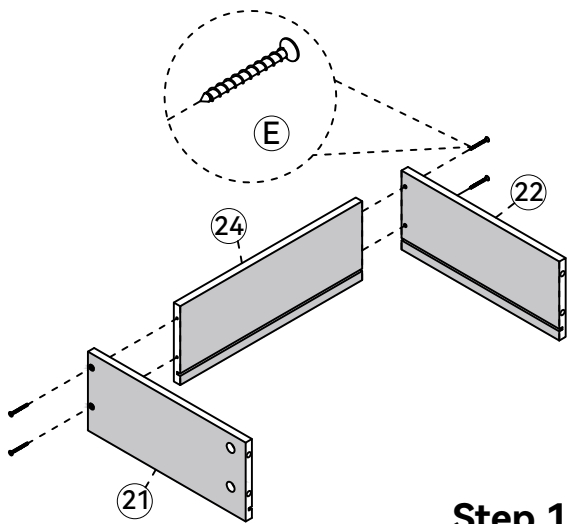


Proper orientation of CAM LOCK

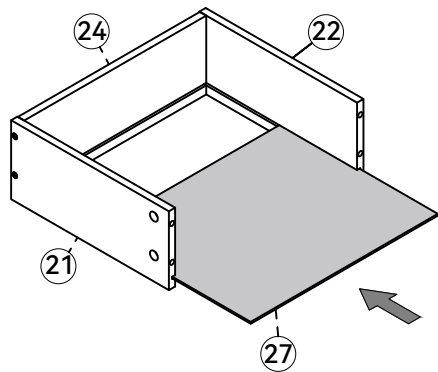
# Step 22



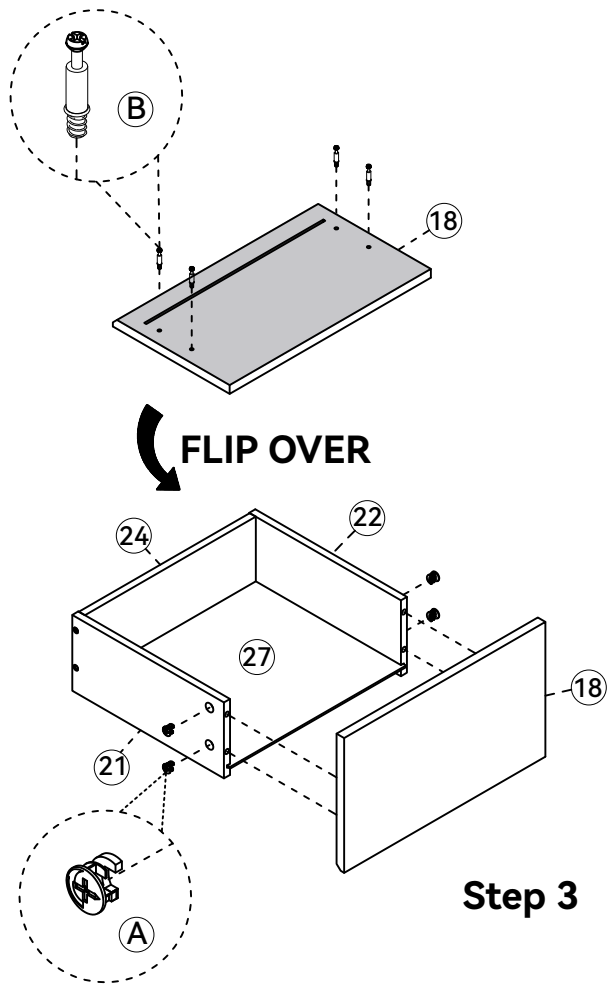
Using screws E, attach panels 21, 22, and 24 together, then insert panel 27 as shown. Attach fitting B to panel 18, flip it over, connect to panels 21 and 22, and secure with fitting A.



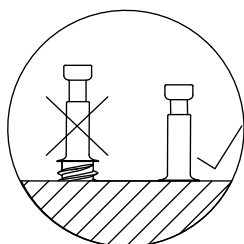
Step 1



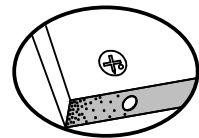
Step 2



Step 3

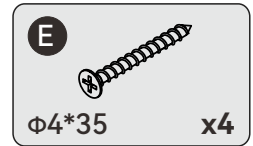
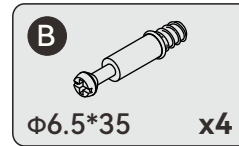
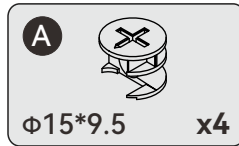
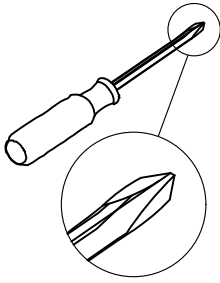


Insert the cam bolt into the hole first, then insert the cam lock and lock it.

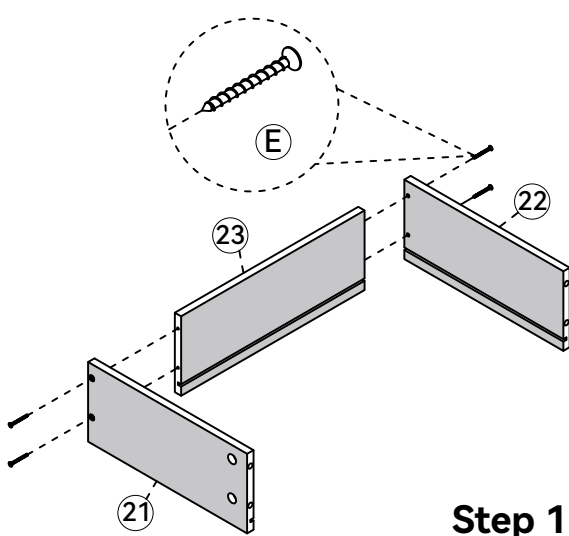


Proper orientation of CAM LOCK

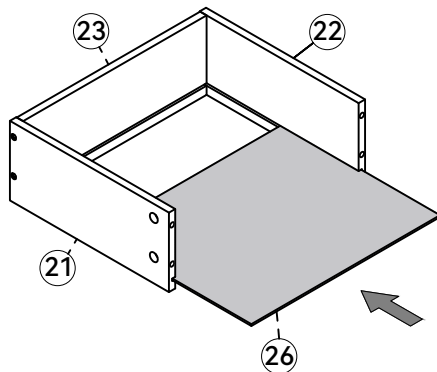
## Step 23



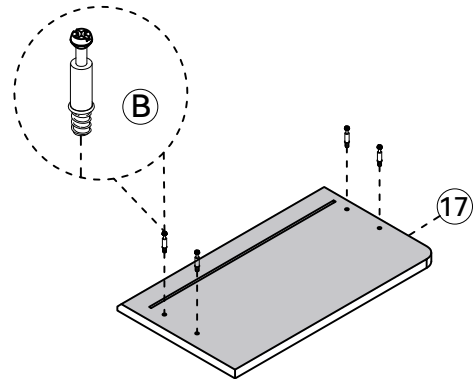
Using screws E, attach panels 21, 22, and 23 together, then insert panel 26 as shown. Attach fitting B to panel 17, flip it over, connect to panels 21 and 22, and secure with fitting A.



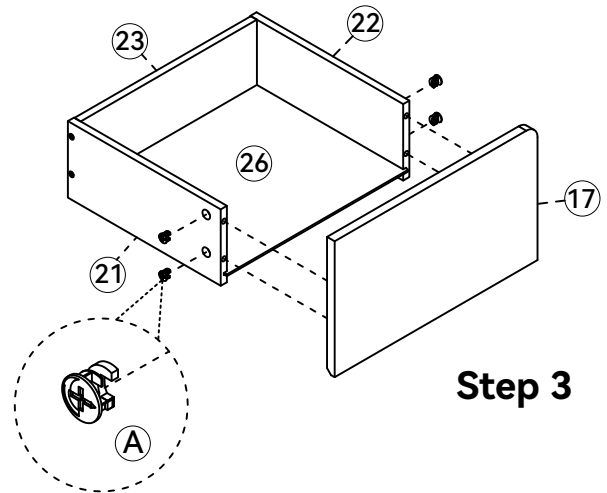
Step 1



Step 2

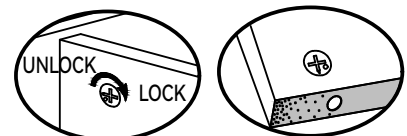
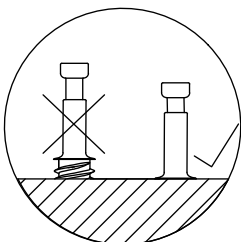


FLIP OVER



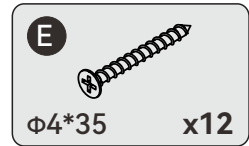
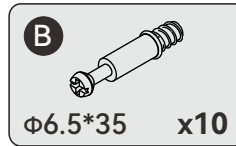
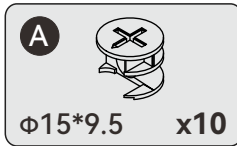
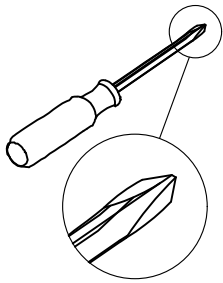
Step 3

Insert the cam bolt into the hole first, then insert the cam lock and lock it.

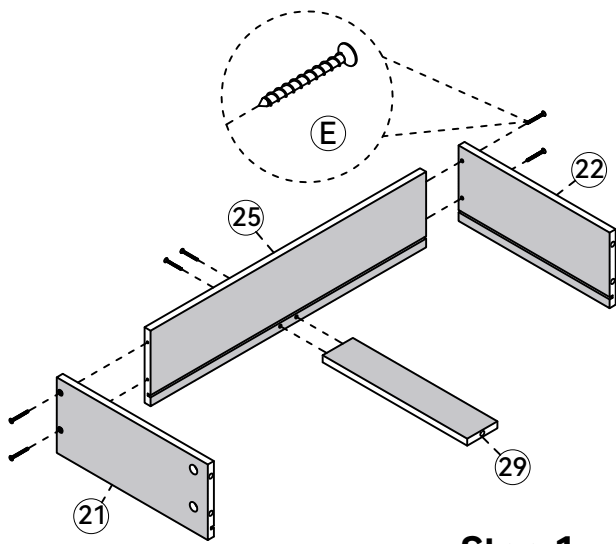


Proper orientation of CAM LOCK

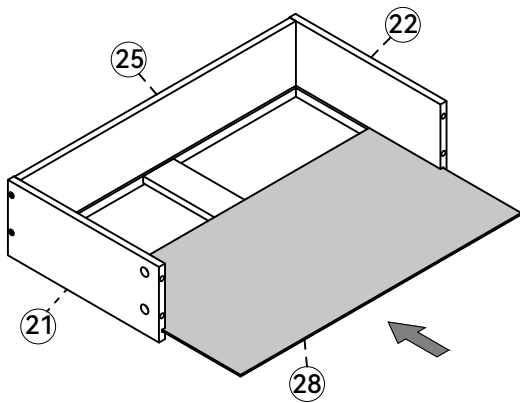
# Step 24



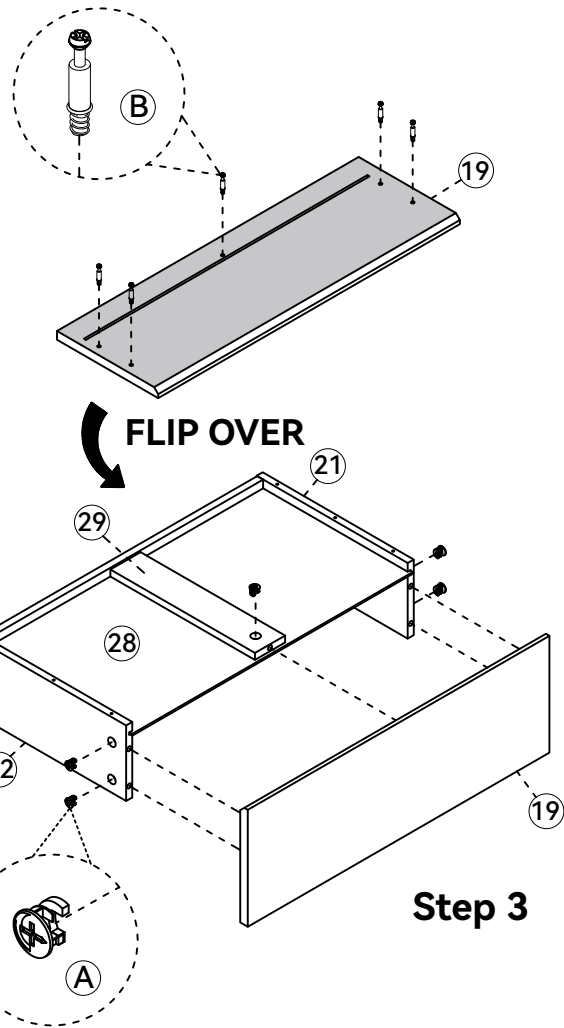
Using screws E, attach panels 21, 22, 25, and 29 together, then insert panel 28 as shown. Attach fitting B to panel 19, flip it over, connect to panels 21, 22, and 29, and secure with fitting A.



Step 1

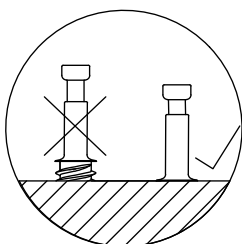


Step 2

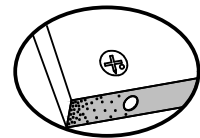


Step 3

Insert the cam bolt into the hole first, then insert the cam lock and lock it.

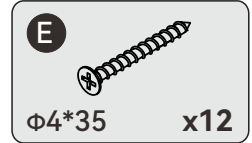
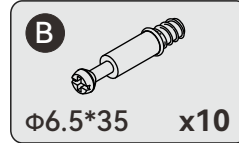
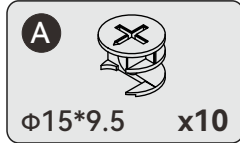
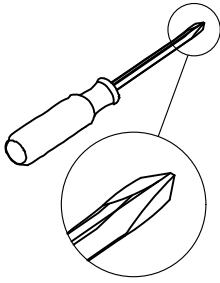


x2



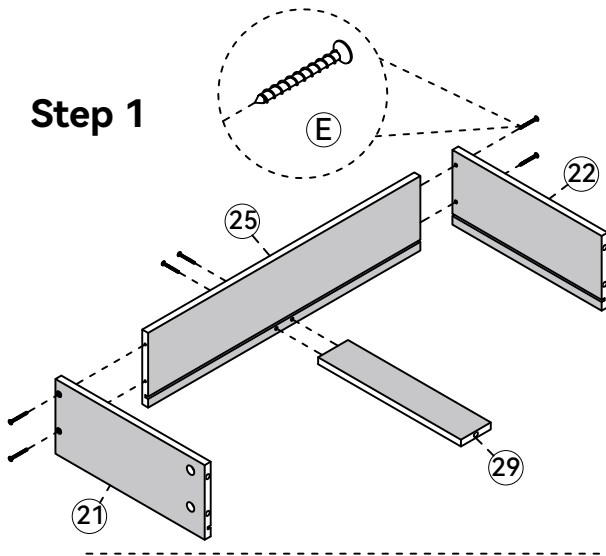
Proper orientation of CAM LOCK

# Step 25

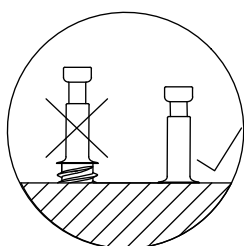
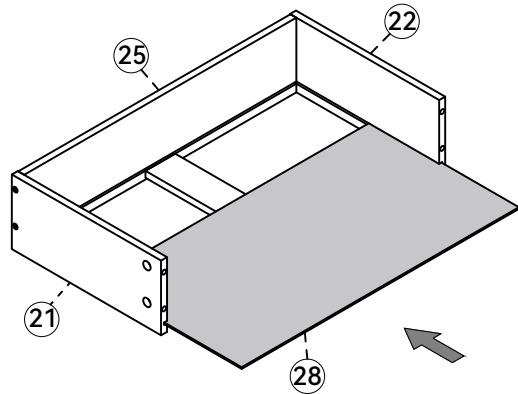


Using screws E, attach panels 21, 22, 25, and 29 together, then insert panel 28 as shown. Attach fitting B to panel 20, flip it over, connect to panels 21, 22, and 29, and secure with fitting A.

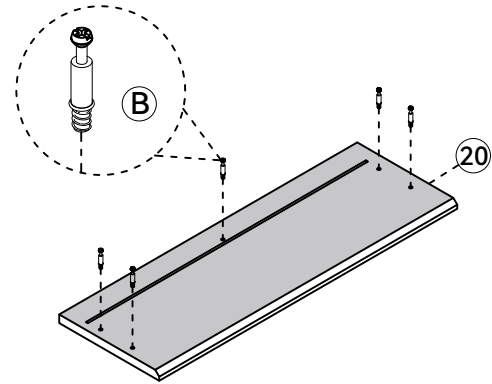
## Step 1



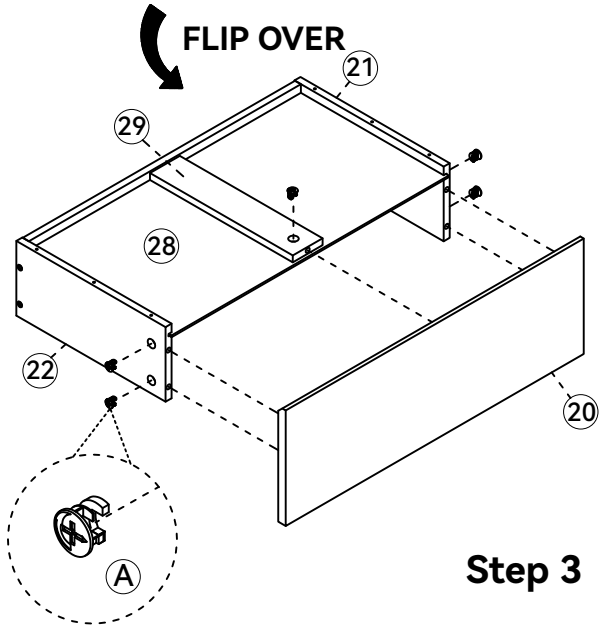
## Step 2



**x2**

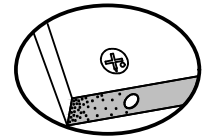


**FLIP OVER**



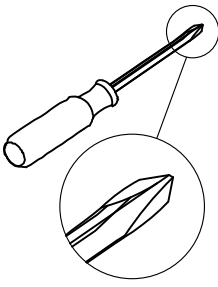
## Step 3

Insert the cam bolt into the hole first, then insert the cam lock and lock it.



Proper orientation of CAM LOCK

# Step 26

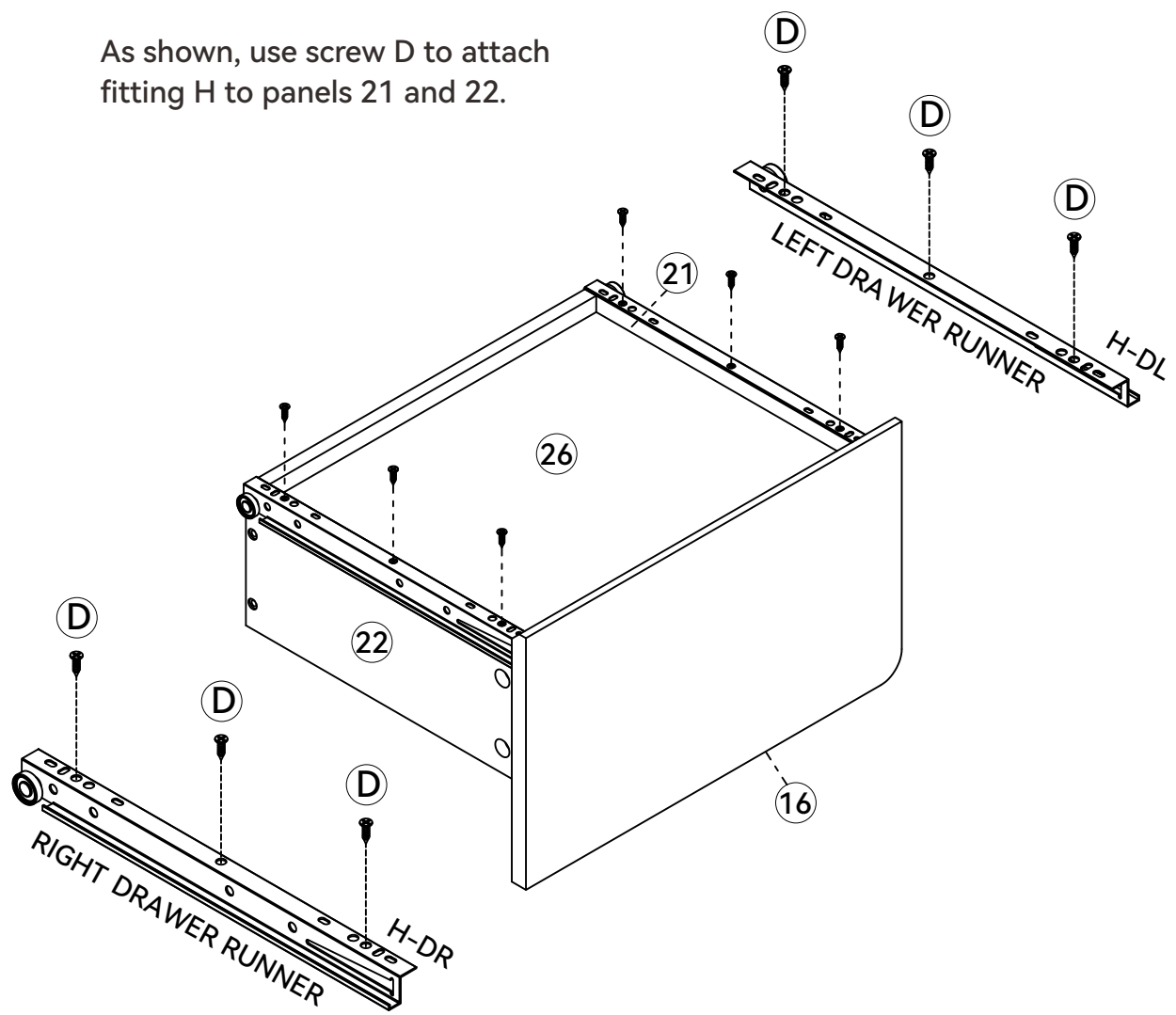


**D**  
Φ3.5\*14 x6

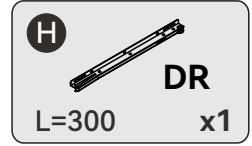
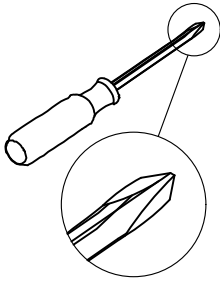
**H**  
DL  
L=300 x1

**H**  
DR  
L=300 x1

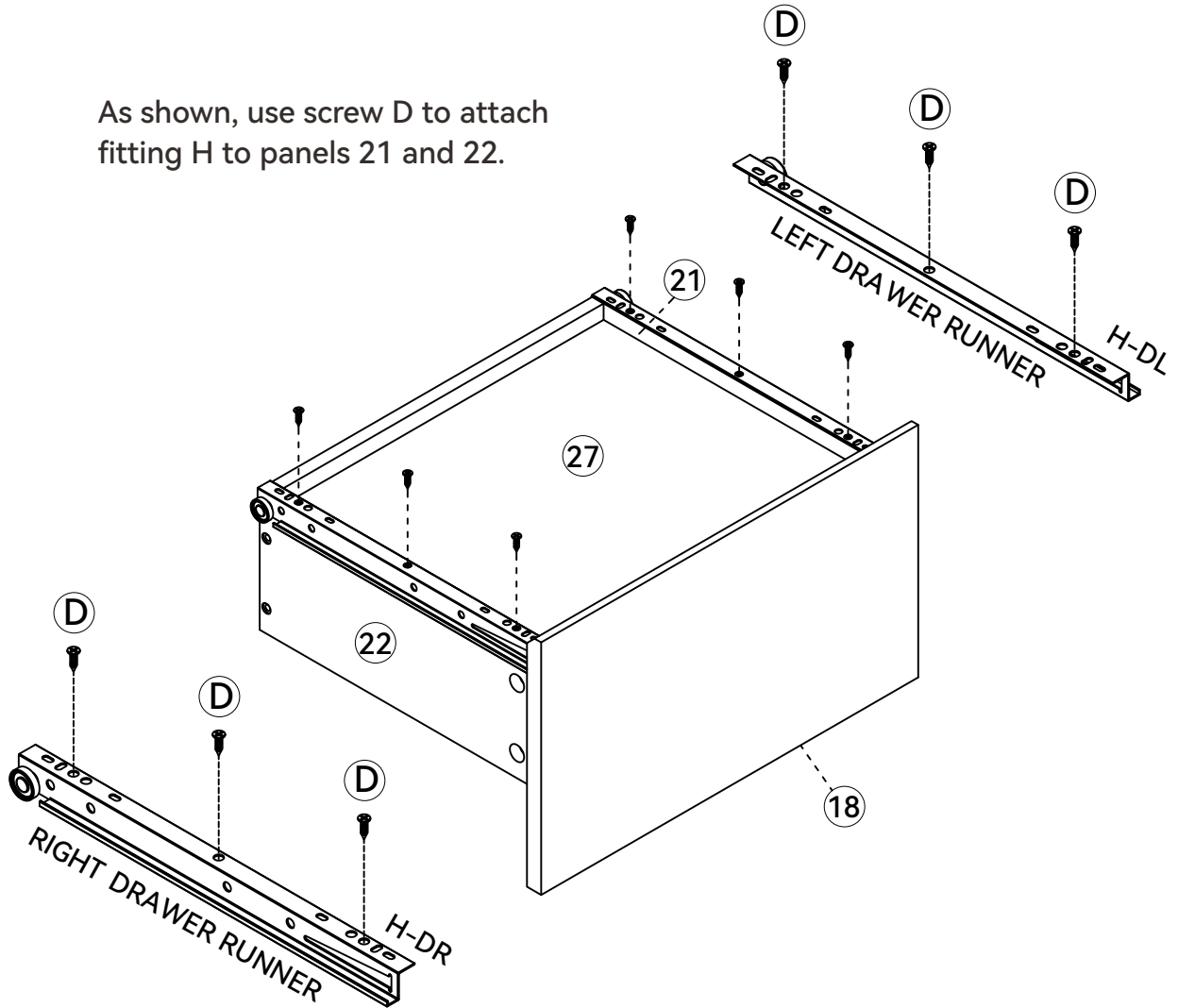
As shown, use screw D to attach fitting H to panels 21 and 22.



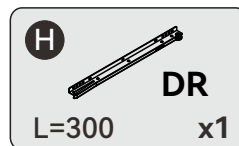
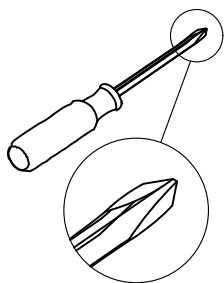
# Step 27



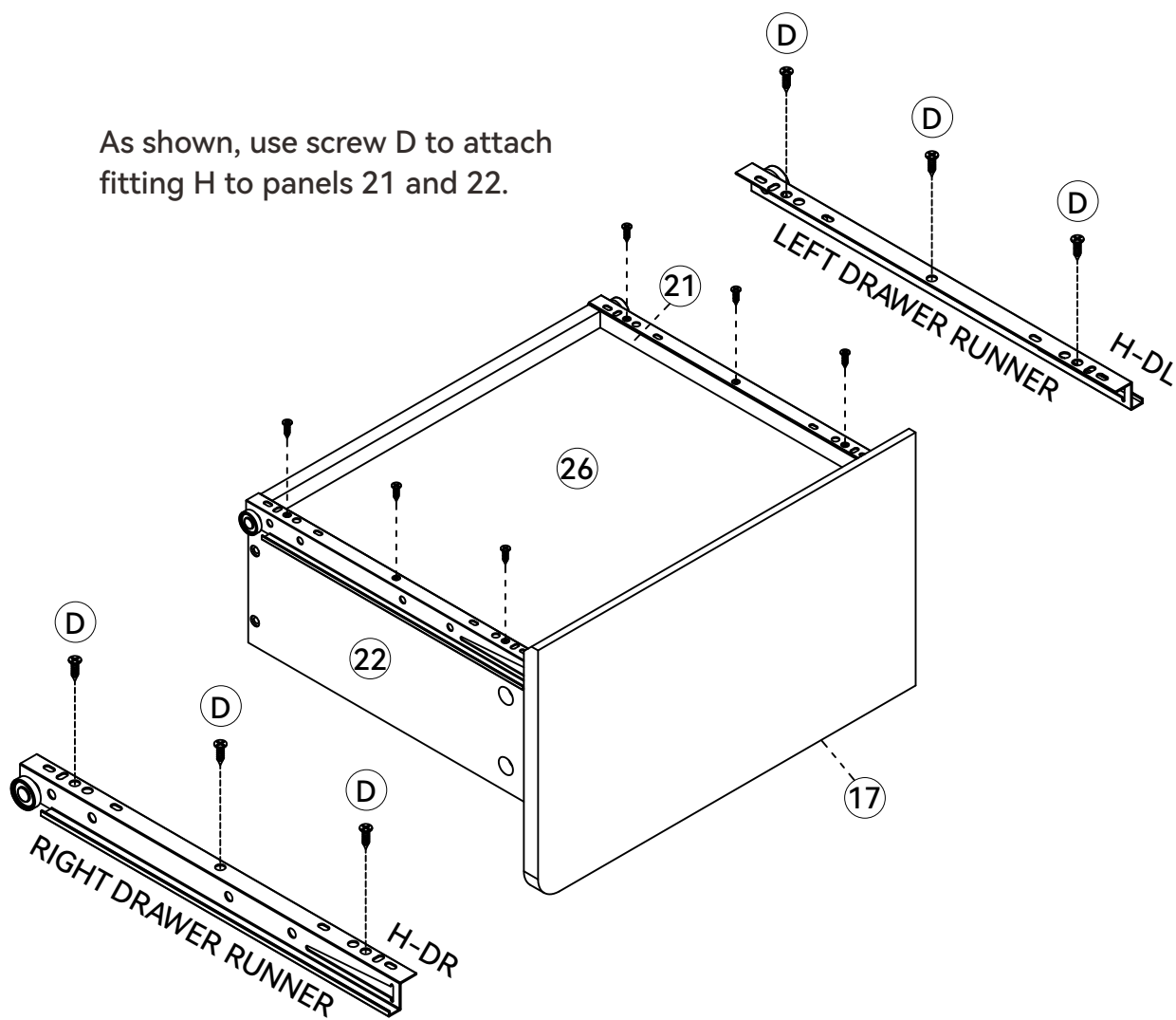
As shown, use screw D to attach fitting H to panels 21 and 22.



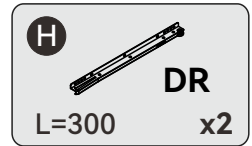
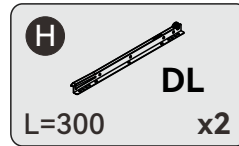
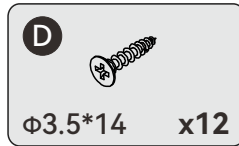
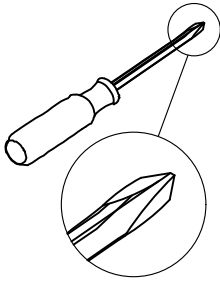
# Step 28



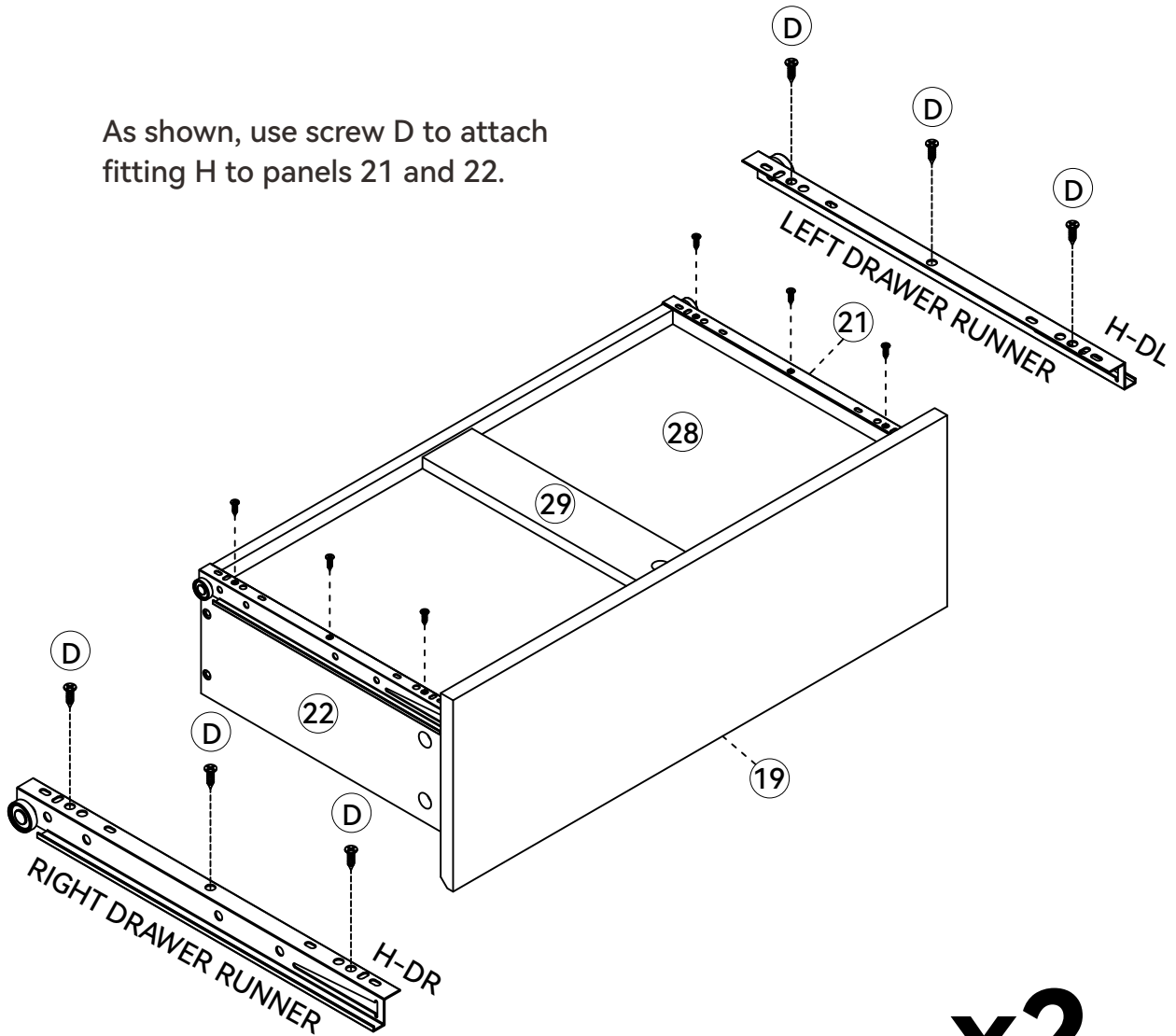
As shown, use screw D to attach fitting H to panels 21 and 22.



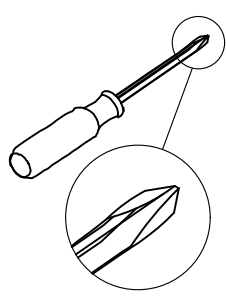
## Step 29



As shown, use screw D to attach fitting H to panels 21 and 22.

**x2**

Step 30

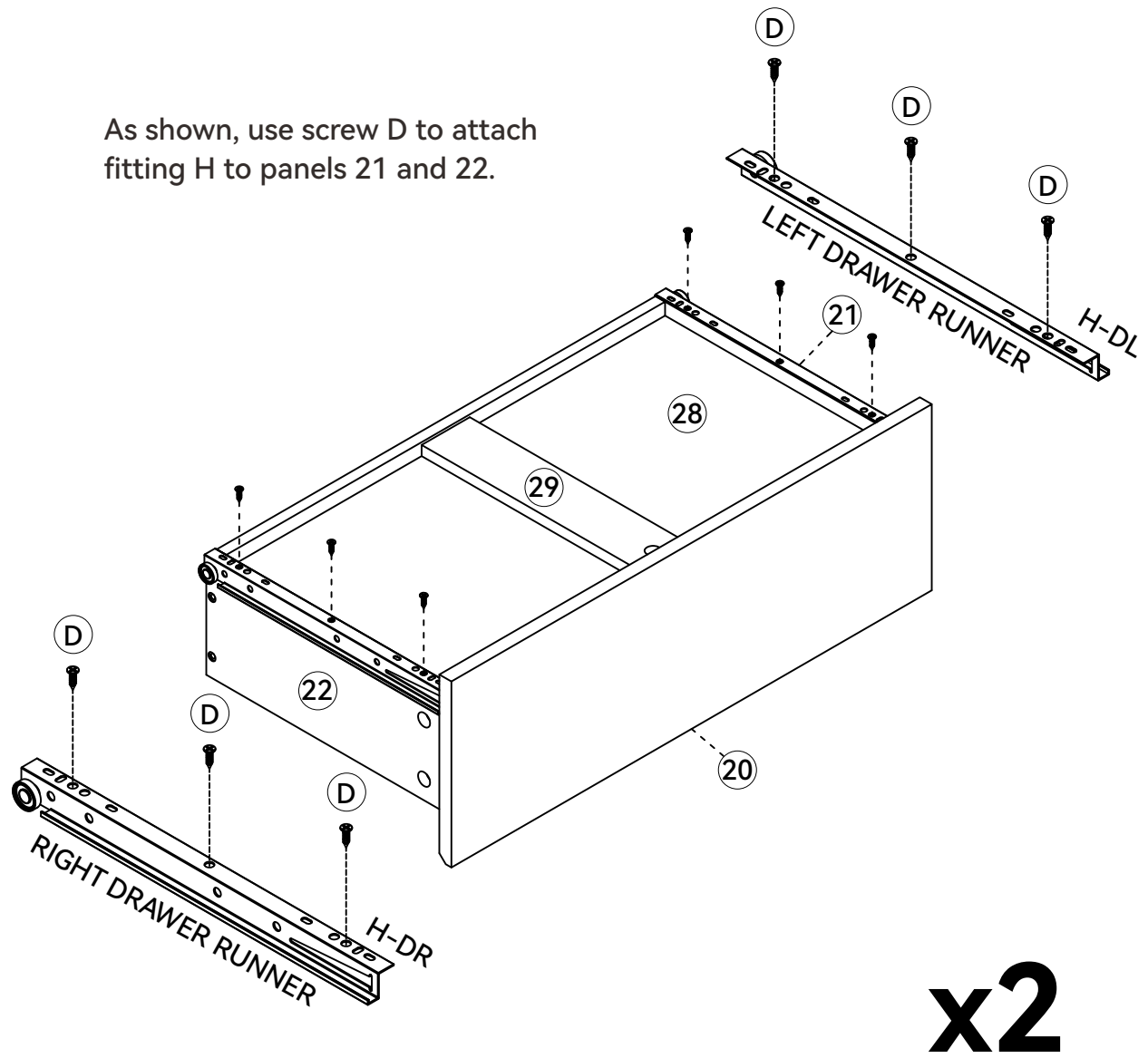


**D**  
Φ3.5\*14 x12

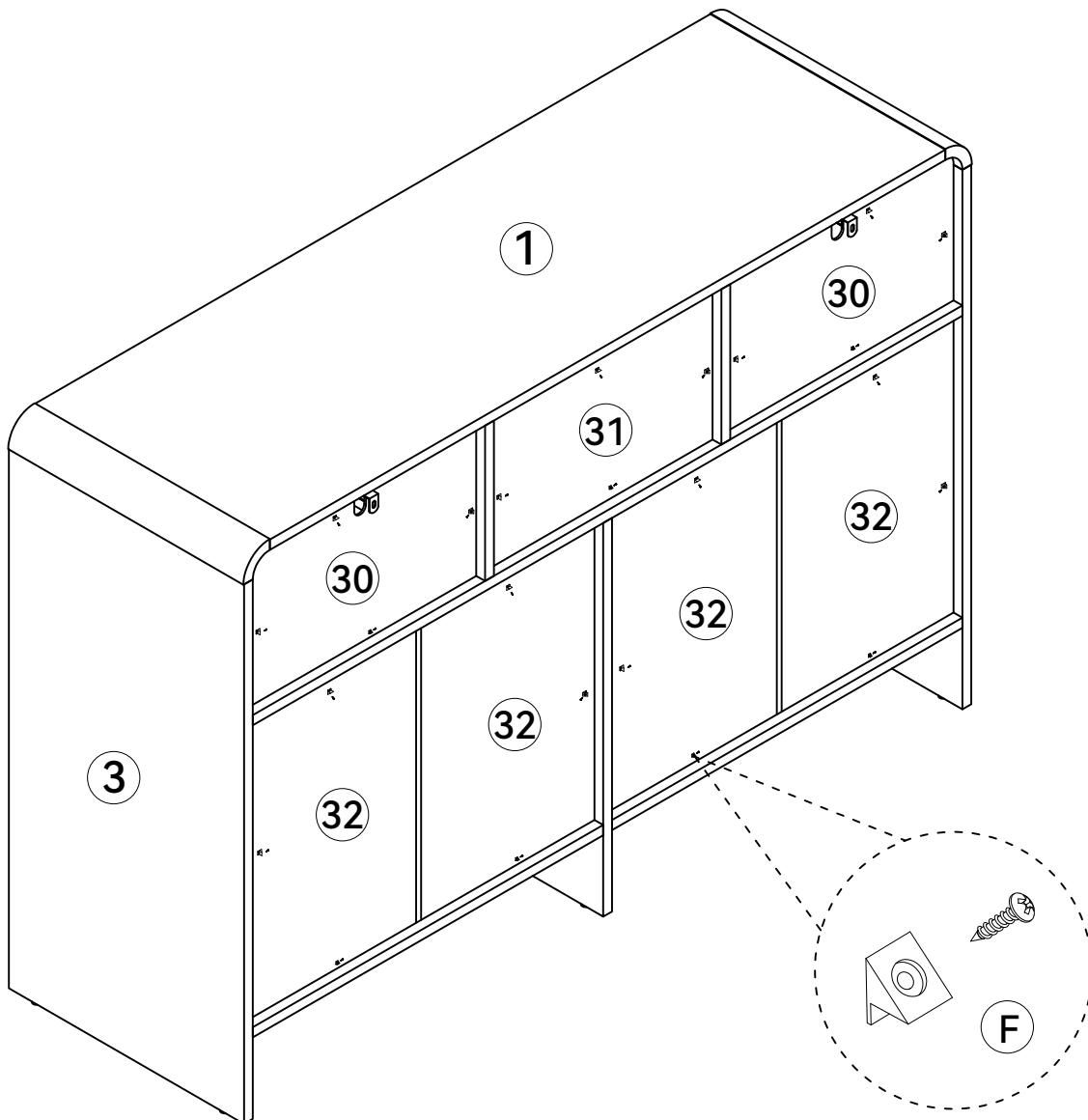
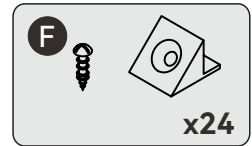
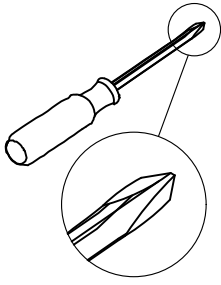
**H**  
DL  
L=300 x2

**H**  
DR  
L=300 x2

As shown, use screw D to attach fitting H to panels 21 and 22.

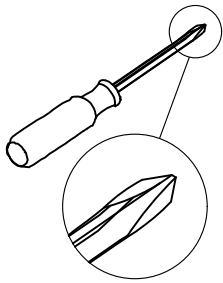


## Step 31

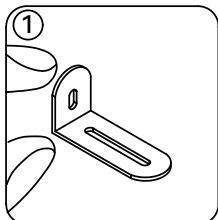


Insert the plastic clip into the slot on the back panel, pass it through the hole in the clip, and lock it into place.

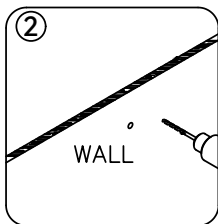
## Step 32



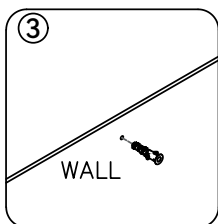
Install the tipping restraint hardware



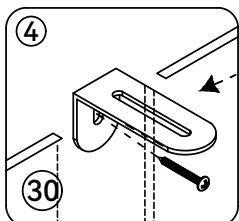
1. Mark the wall.



2. Drill two holes (Ø6mm) in the wall.



3. Insert two anchors into the holes.



4. Use long screws to secure the fitting to the wall.

## ! WARNING

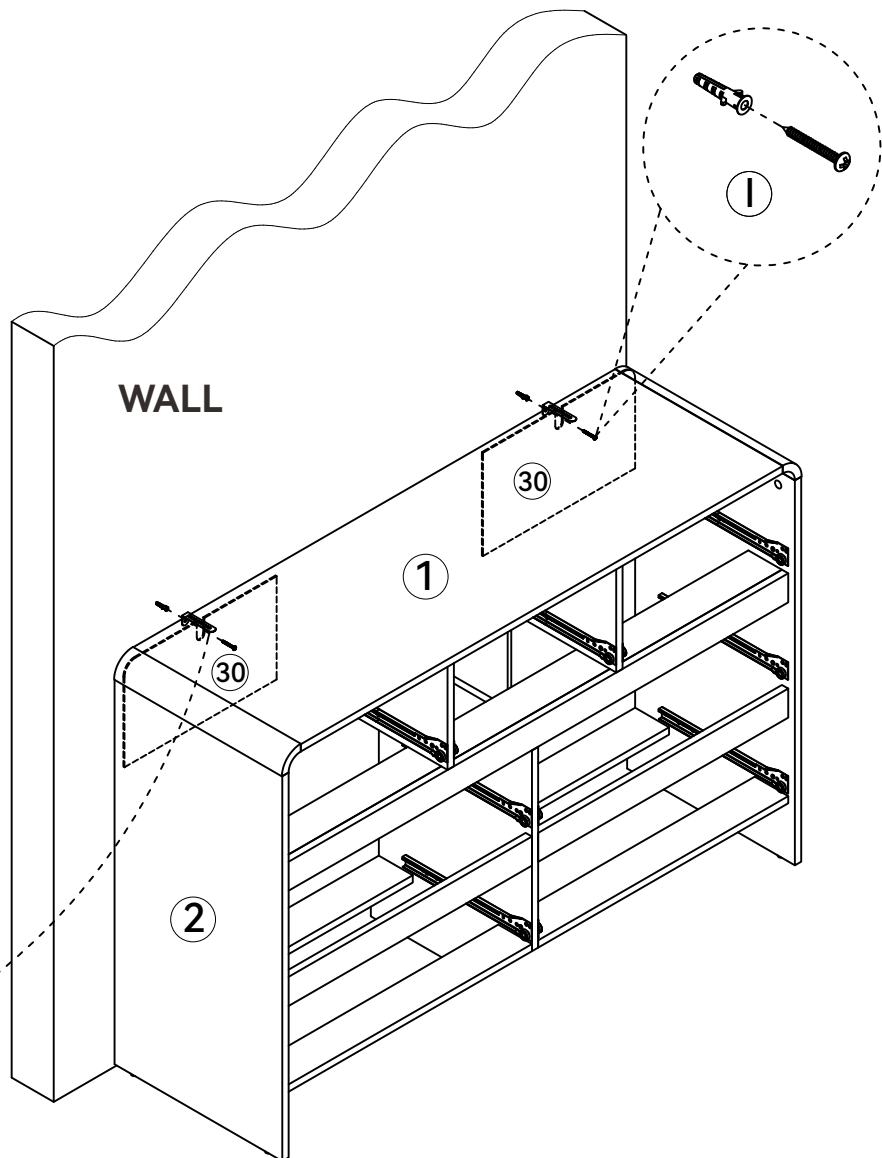
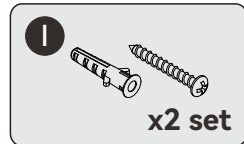


Children have died from furniture tipover. To reduce the risk of furniture tipover:

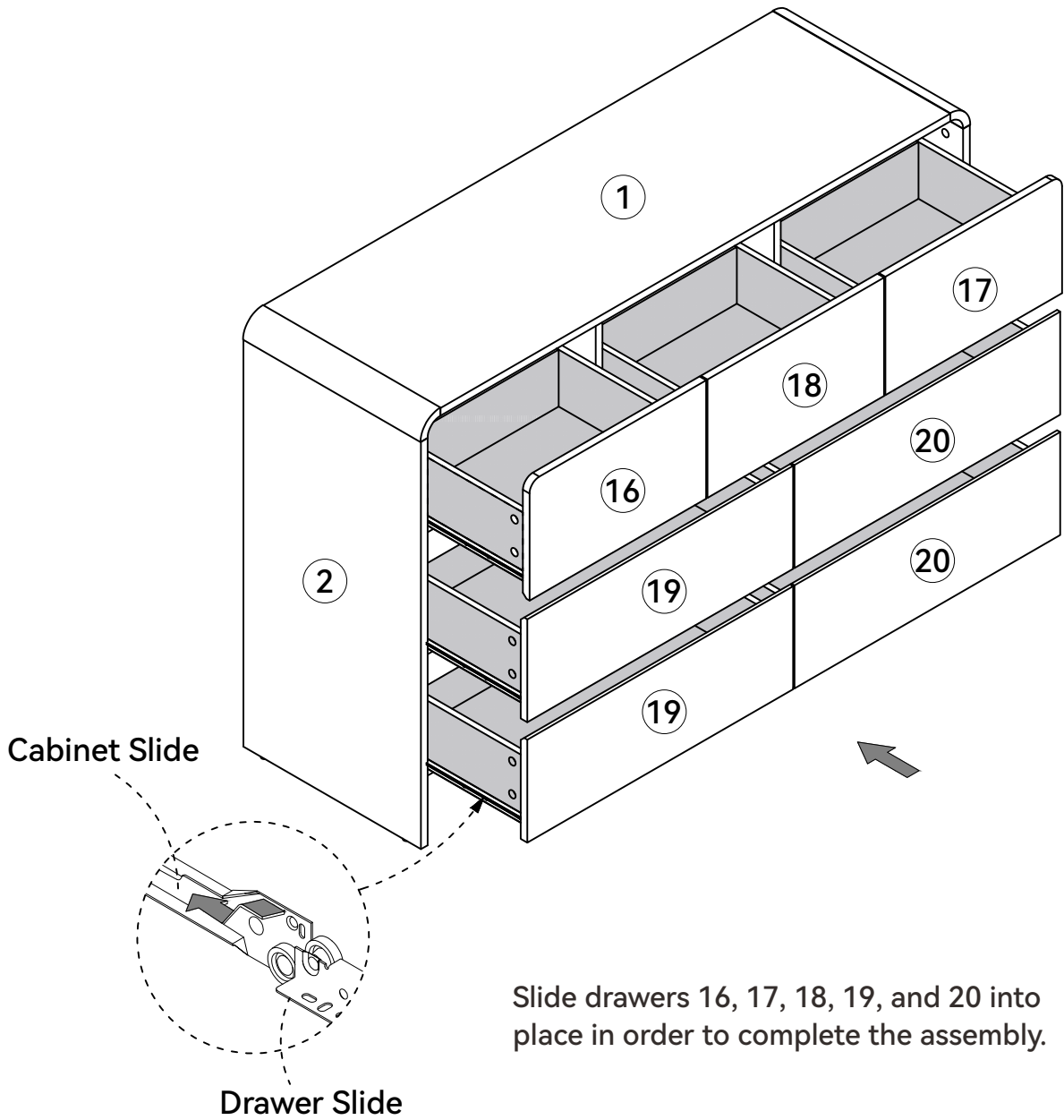
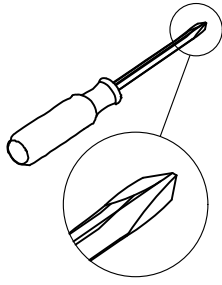
- ALWAYS install tipover restraint provided.
- NEVER put a TV on this product.
- NEVER allow children to stand, climb or hang on drawers, doors, or shelves.
- NEVER open more than one drawer at a time.
- Place heaviest items in the lowest drawers.



This is a permanent label. Do not remove!

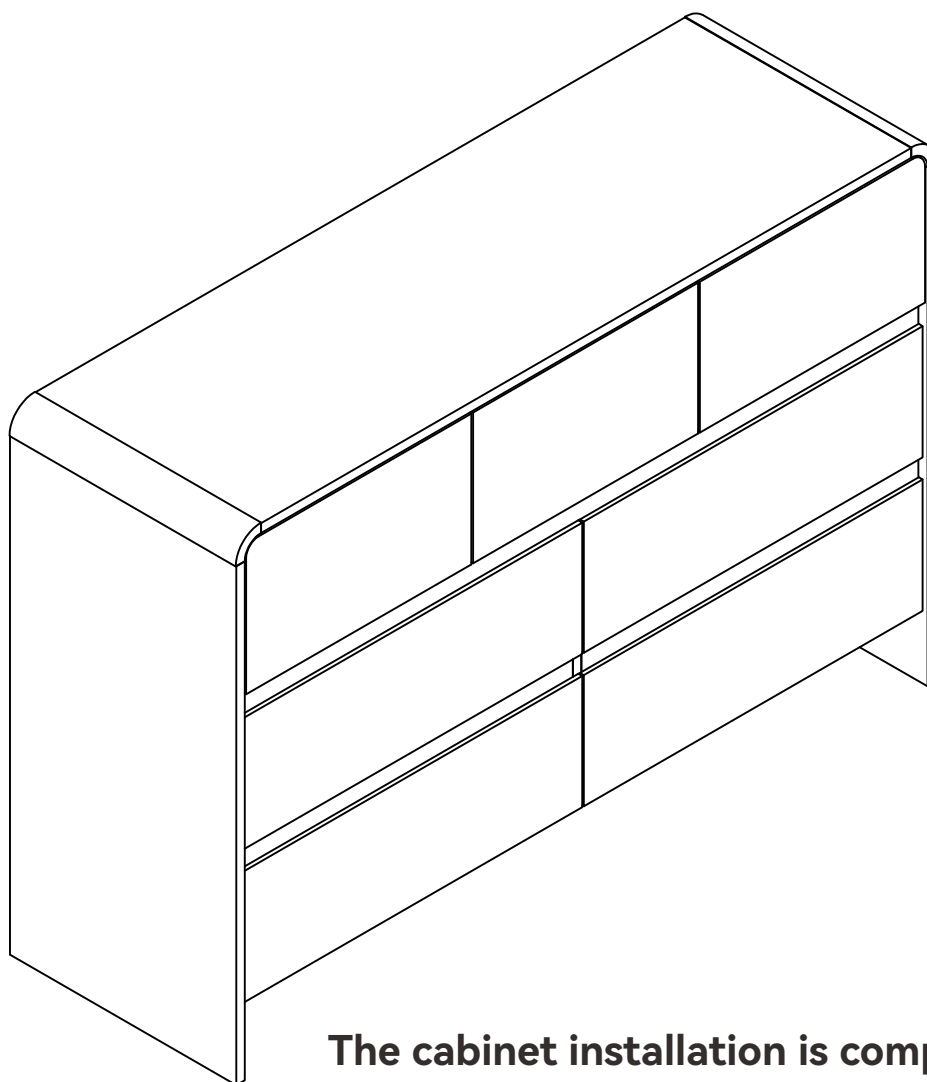


## Step 33



## Step 34

EN



**The cabinet installation is complete.**