

VANITY CABINET + MIRROR

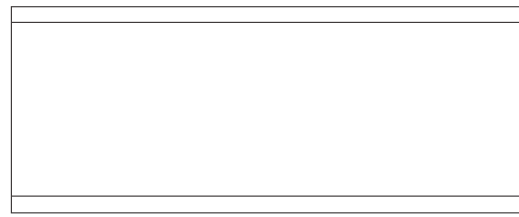
**LV1-60**

INSTALLATION INSTRUCTIONS

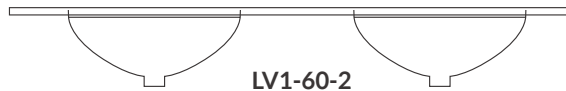
## WHAT'S IN THE BOX / REQUIRED TOOLS

### PACKING LIST

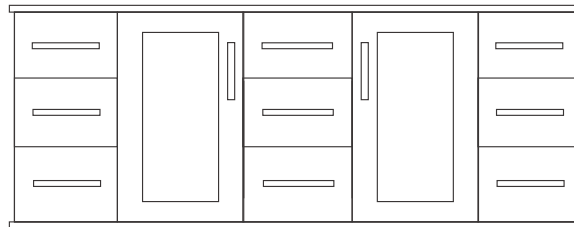
Part Number	Quantity	Description
LV1-60-1	1	Vanity Base Cabinet
LV1-60-2	1	Glass Top
LV1-60-3	1	Mirror
LV1-60-4	6	Base Legs
LV1-60-5	3	Glass Top Legs
LV1-60-6	2	Wall Anchors
LV1-60-7	2	Screws 1 1/4"
LV1-60-8	24	Screws 1/2"
LV1-60-9	4	Set Screws
LV1-60-10	4	Leg Mounting Plate



LV1-60-3



LV1-60-2



LV1-60-1



LV1-60-4



LV1-60-5



LV1-60-6



LV1-60-7



LV1-60-8

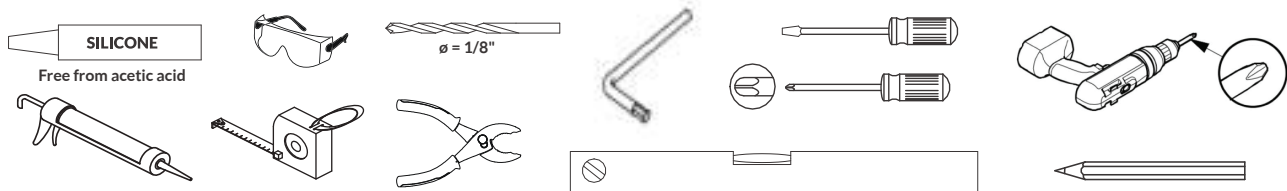


LV1-60-9



LV1-60-10

### TOOLS REQUIRED FOR INSTALLATION (NOT INCLUDED)



**Note:** Other tools may be required



1

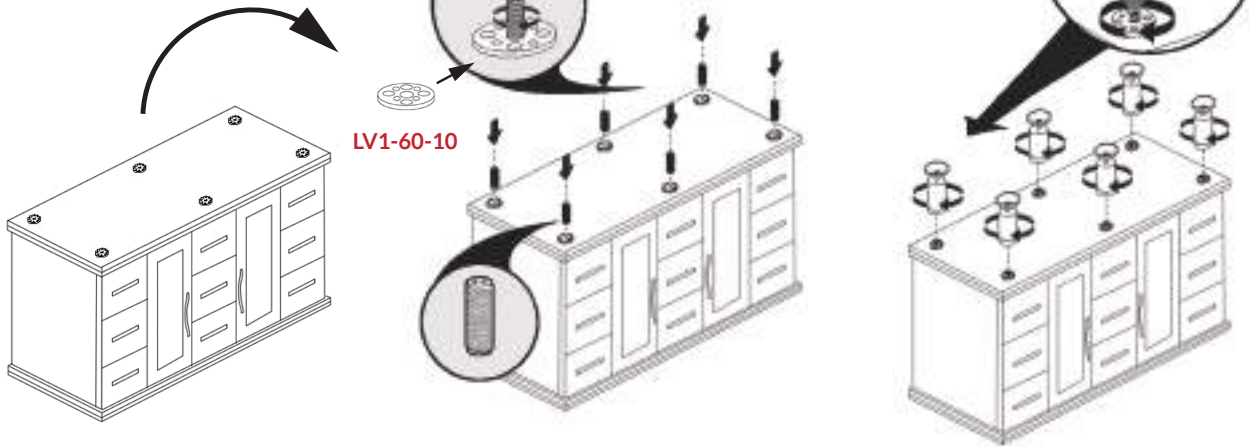
Unscrew leg mounting plate LV1-60-10 and leg mounting bolt LV1-60-9 from each base leg LV1-60-4.

2

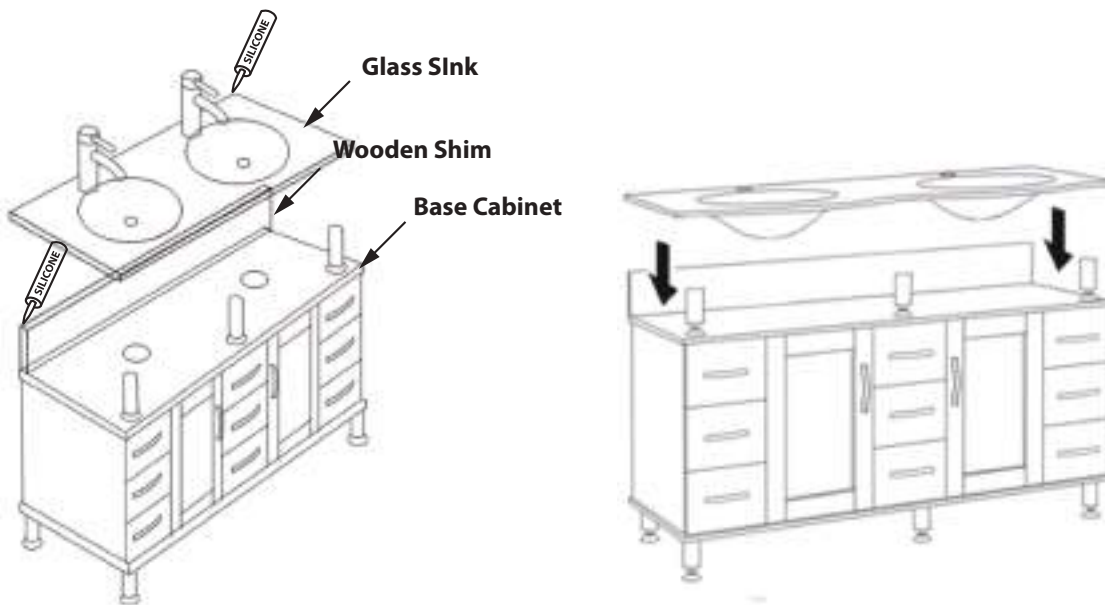
Attach leg mounting plate LV1-60-10 to the bottom of cabinet LV1-60-1 and screw in leg mounting bolt LV1-60-9

3

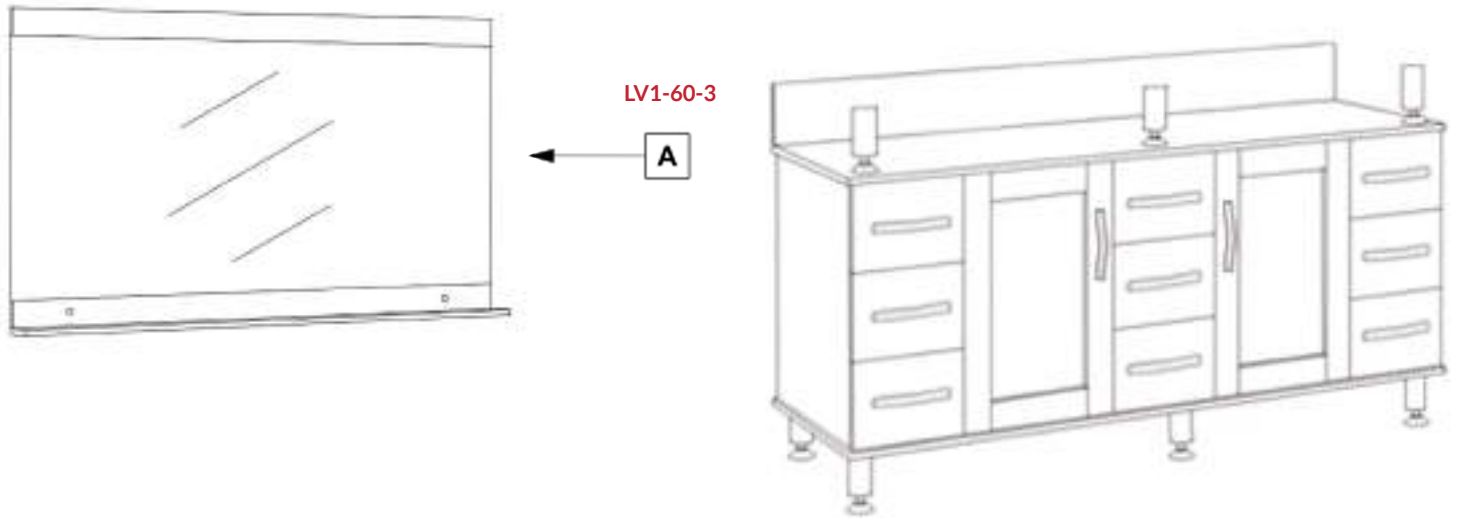
Attach each mounting leg to the bottom of cabinet by screwing in the leg on top of the leg mounting bolt



LV1-60-1

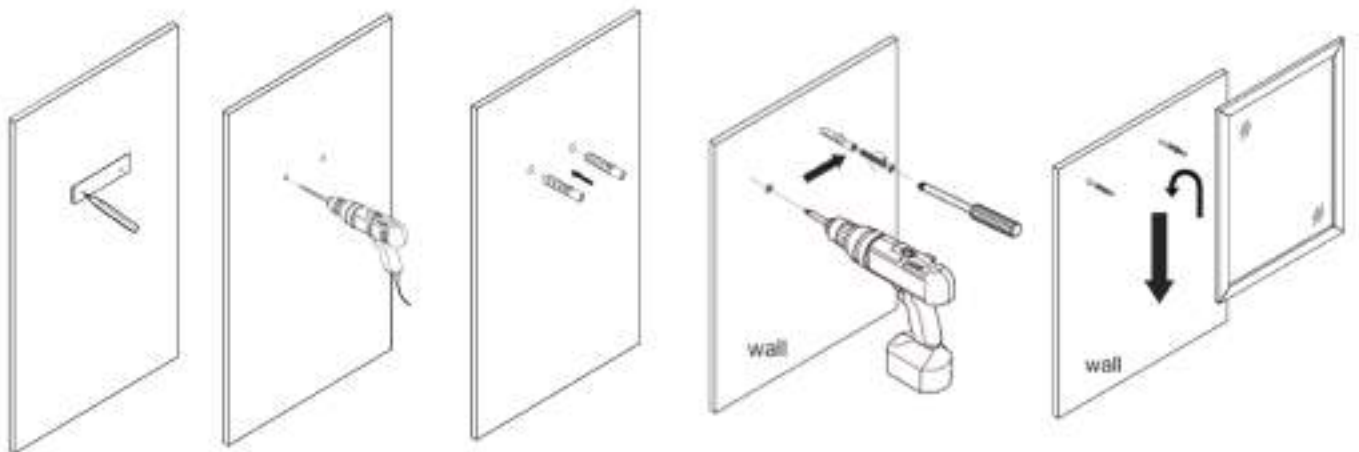


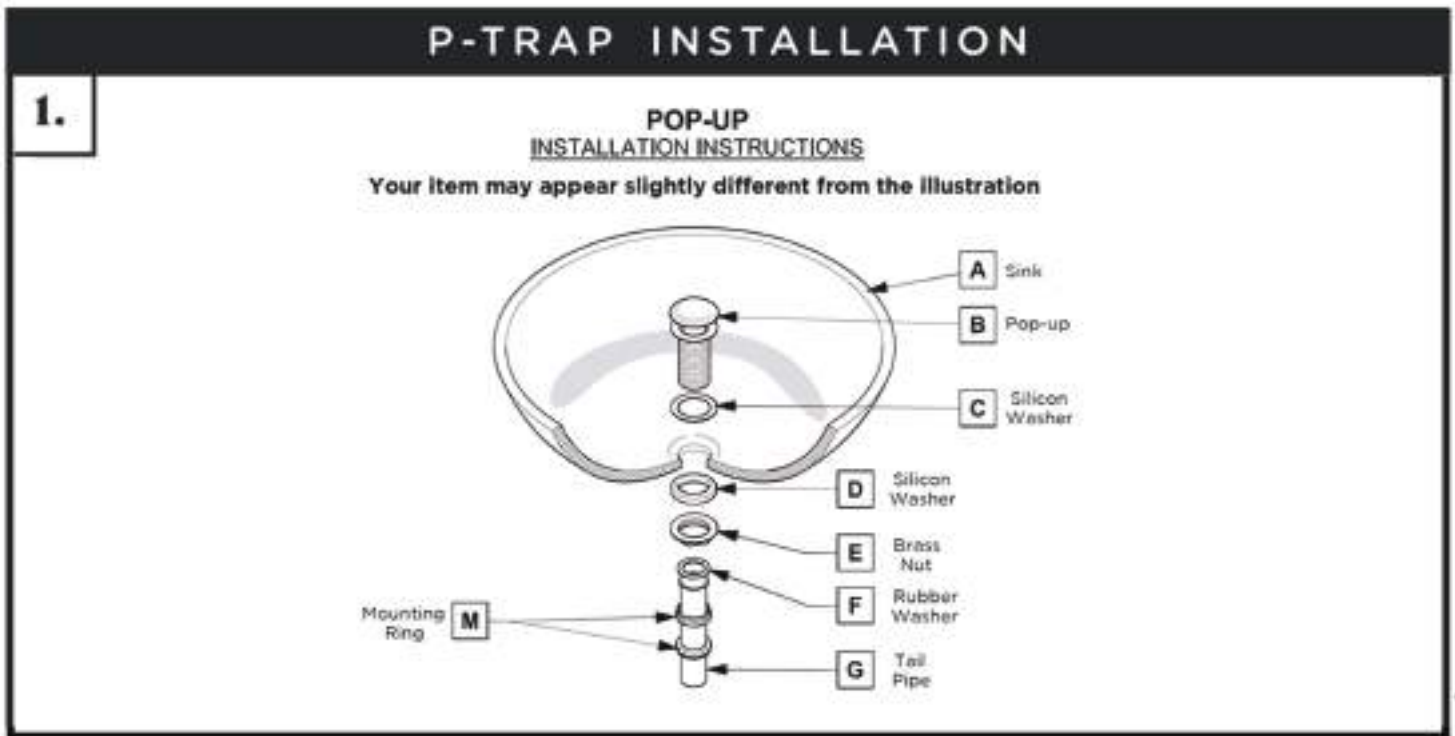
### Install cabinet (D)



### MIRROR INSTALLATION

- 1 Level the mirror bracket and then mark the installation position
- 2 Drill the installation holes
- 3 Insert the plastic plug
- 4 Hung the mirror  
Install the screw





**INSTALLATION OF LESSCARE PRODUCTS BY AN INEXPERIENCED INSTALLER MAY RESULT PERSONAL INJURY OR DEATH!**

**INSTRUCTIONS THAT, IF IGNORED COULD RESULT IN DEATH OR SERIOUS INJURY CAUSED BY INCORRECT HANDLING OR INSTALLATION OF THE PRODUCT. THESE INSTRUCTIONS MUST BE OBSERVED FOR SAFE INSTALLATION.**

LessCare is not responsible for local code compliance. Building and plumbing codes may vary from state-to-state in accordance to your location. LessCare is not responsible for providing any compliance certifications.

**ATTENTION!** Responsibility for compliance with your local code requirements **are excluded from this warranty**

**ATTENTION!** This limited warranty is void on any commercial installation

LessCare products must be installed by a fully insured and licensed professional only. Installation of any LessCare product by anyone other than fully insured and licensed professionals shall **void limited warranty**. LessCare recommends that such licensed professionals have experience in the installation of products.

**Retain these installation instructions for future reference!**

LessCare reserves the right to modify this installation instructions at any time.  
It is a customer's sole responsibility to inquiry for the updates of the installation instructions.