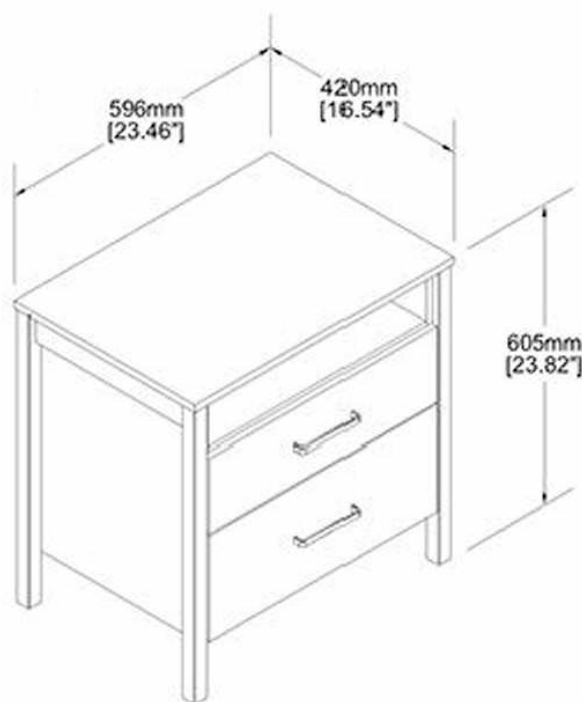


Model: \_\_\_\_\_  
Lot No: \_\_\_\_\_  
Date of Purchase: \_\_\_\_\_

## Espresso



**If you are missing any parts or have any questions regarding assembly, do not return this item to the retailers store. Please call our Toll Free Customer Service number and have this assembly manual open to the parts list ready to provide the model name and part name or number**

### **TOP TIPS BEFORE YOU START !**

### **IMPORTANT- READ CAREFULLY- RETAIN FOR FUTURE REFERENCE**

1. Please check that all parts & hardware are present before you start the assembly of your furniture.
2. For ease and speed of assembly, we recommend that before you commence each step of the assembly, Please identify all the parts required for that step.
3. We recommend that where possible, all items are assembled near to the area in which they will be placed in use, to Avoid moving the product unnecessarily once assembled.
4. For the protection of your furniture, particularly items of high gloss finish, we recommend that the product is placed on a Protected surface during assembly to prevent any damage.
6. During assembly please take care not to over-tighten any fittings, as this may damage the product.

### **CARE AND MAINTENANCE OF YOUR FURNITURE**

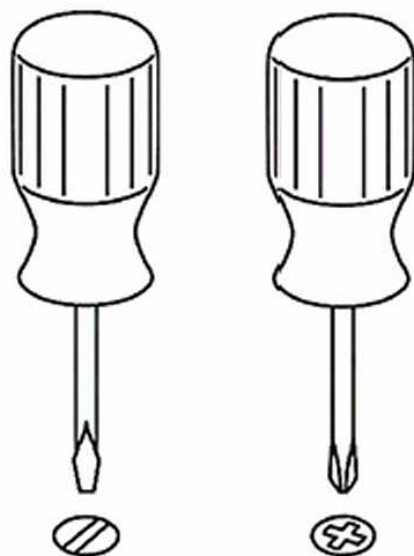
- Please periodically check all fittings and re-tighten as necessary.
- To clean your item, please use a damp cloth and wipe clean.
- Never allow any kind of liquid to remain on your furniture. Absorption can cause wood to warp or finishes to de-laminate.
- Please do not place hot items (e.g hot drinks) directly on the wood surface.
- Please do not drag or pull your furniture.

# Guide To Assembly

## Espresso

### Tools Required For Assembly

Phillips Screw Driver



DO NOT USE POWER TOOLS TO ASSEMBLE THIS PRODUCT. USE OF POWER TOOLS WILL INVALIDATE ANY CLAIM AND MAY DAMAGE THIS PRODUCT MAKING IT UNSAFE.

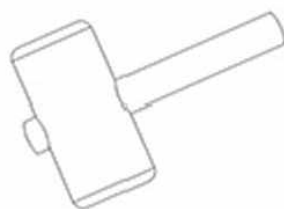


Approximately 30 min

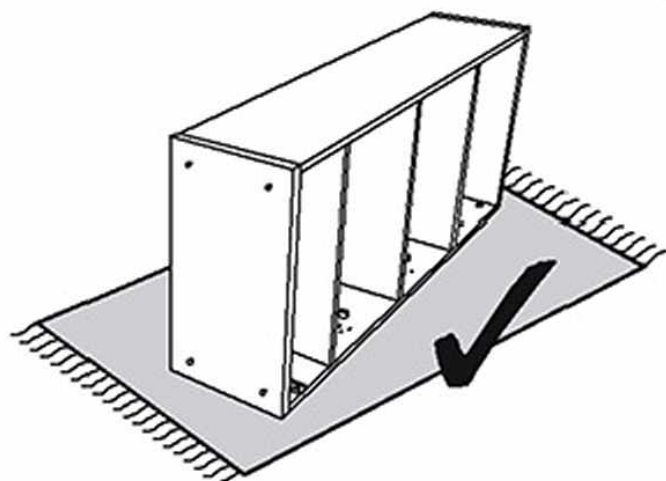
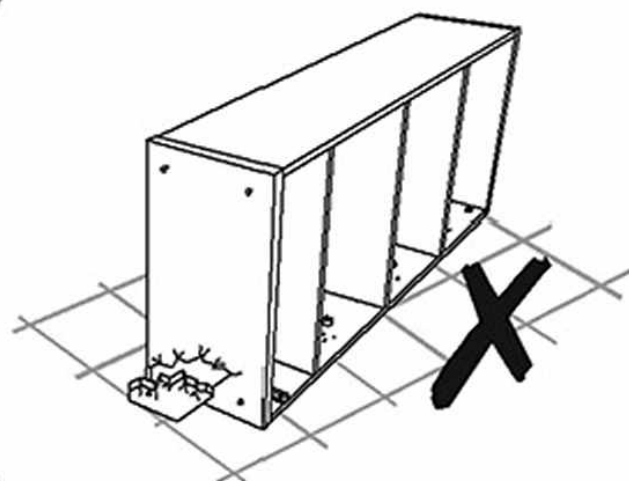
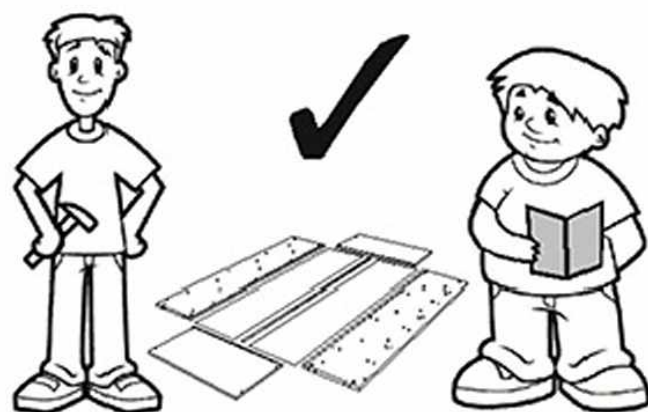
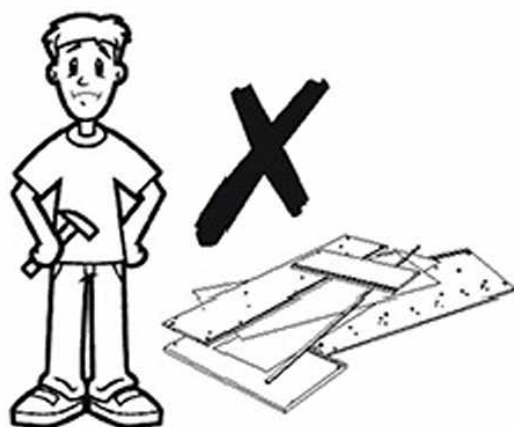


1 Person Required

Rubber Hammer



Measure



# Part List & Fitting List

## Espresso

### Carton 1 of 1

No.	Part Name	Pcs
01	Side Panel	2
02	Post Panel (Back)	2
03	Post Panel (Front)	2
04	Left Panel	1
05	Center Support Panel	1
06	Right Panel	1
07	Top Panel	1
08	Back Panel	1
09	Back Panel (Drawer)	2
10	Left Panel (Drawer)	2
11	Right Panel (Drawer)	2
12	Bottom Panel (Drawer)	2
13	Front Panel (Drawer)	1
14	Front Panel (Drawer)	1
15	Bottom Panel	1
16	Back Panel	1

### Assembly Instructions + Fitting List

### Carton 1 of 1

### Fitting List

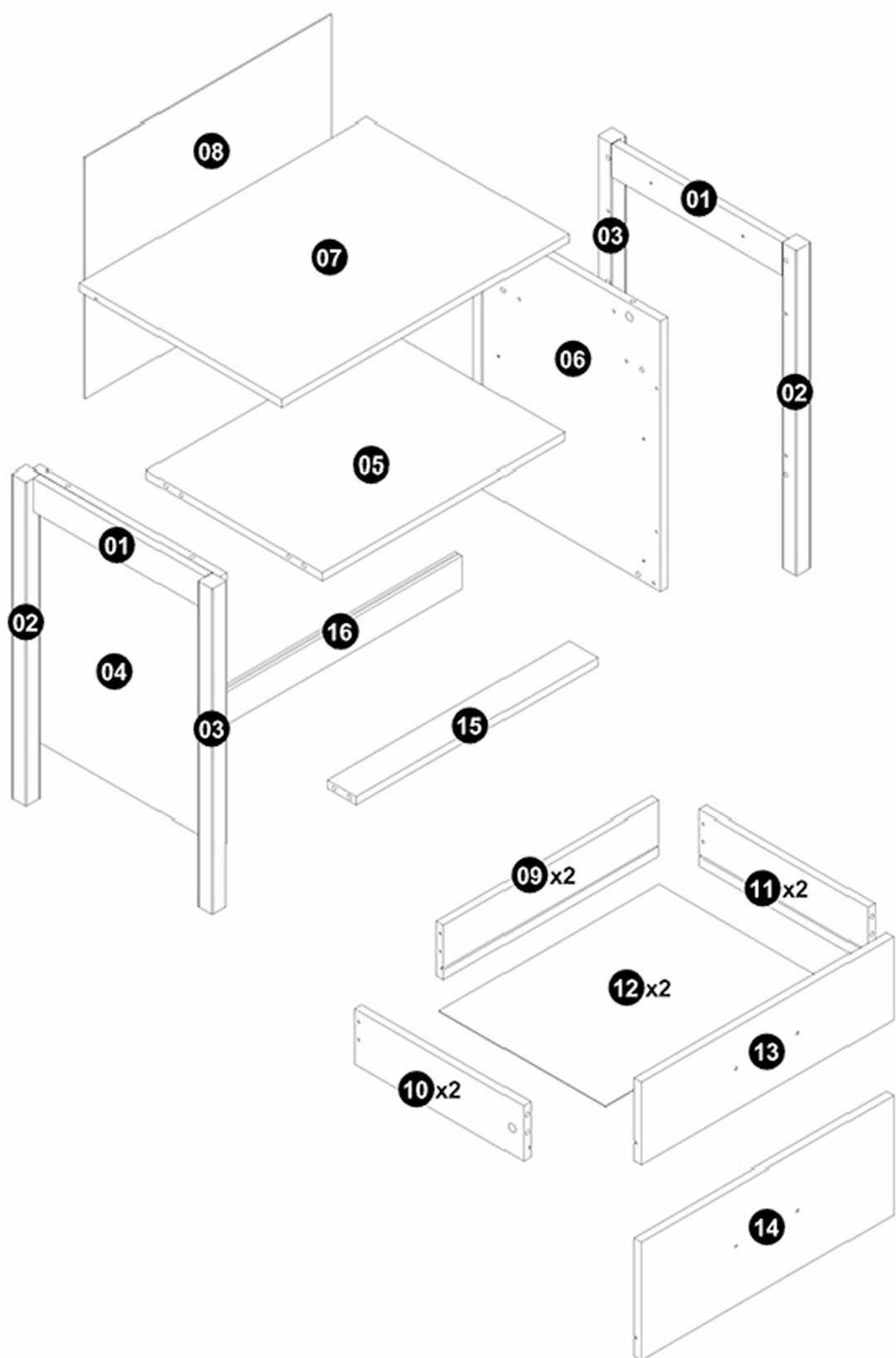
No.	Part Name		Pcs
A	Cam Stud (small)		16
B	Cam		16
C	M8 x 25mm Wood Dowel		24
D	38mm Chipboard Screw		16
E	25mm Chipboard Screw		4
F	22mm Chipboard Screw		4
G	14mm Chipboard Screw		20
H	14" Drawer Slide (SJ)		2 sets
J	PVC Back Support		4
K	HD7803-128 Handle		2
L	18mm Handle Screw		4

### Caution

There are many small components used in the construction of this unit. These loose items should be kept away from young children whilst assembling your unit. As an extra precaution, screw cover caps should be permanently fixed in position. (Where applicable)

Please keep this assembly instruction for future reference

## Espresso



# Guide To Assembly

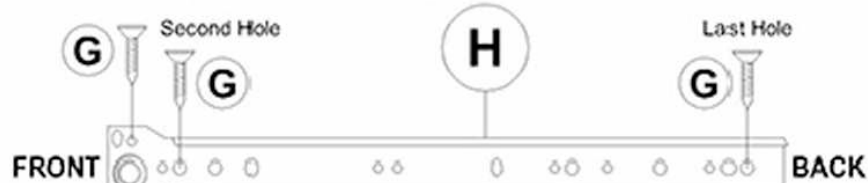
## Espresso

### WHEN FITTING CAMS

ENSURE STARTING POSITION IS CORRECT  
BEFORE YOU INSERT CONNECTING BOLT  
TURN CLOCKWISE UNTIL SECURE



To Assembly the Drawer Slide, Please Follow Step as Below



1



A x 12



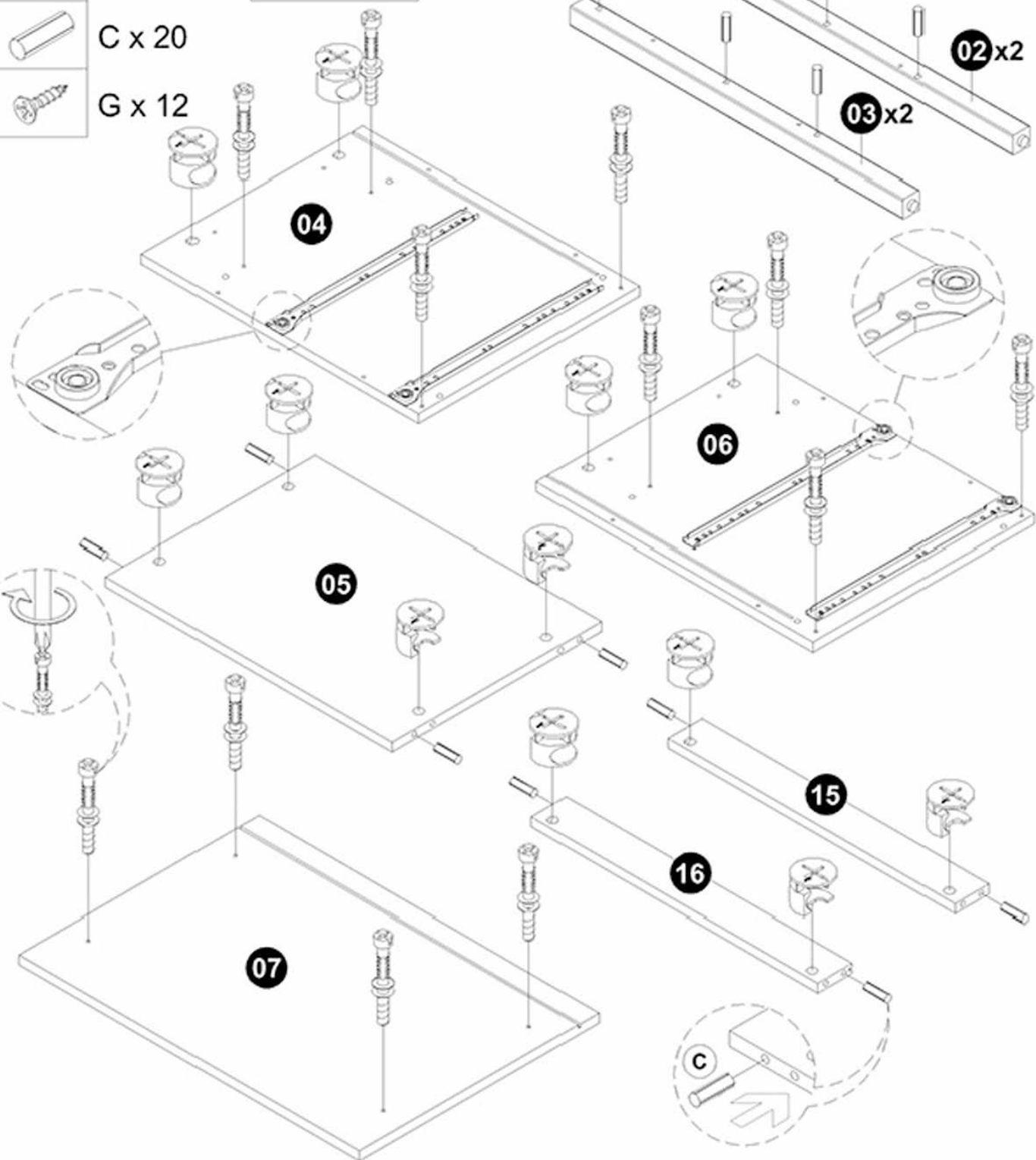
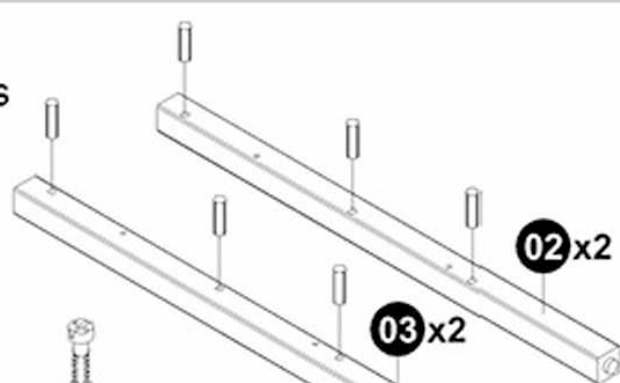
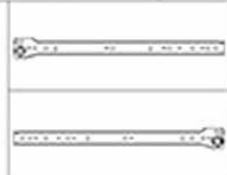
B x 12



C x 20



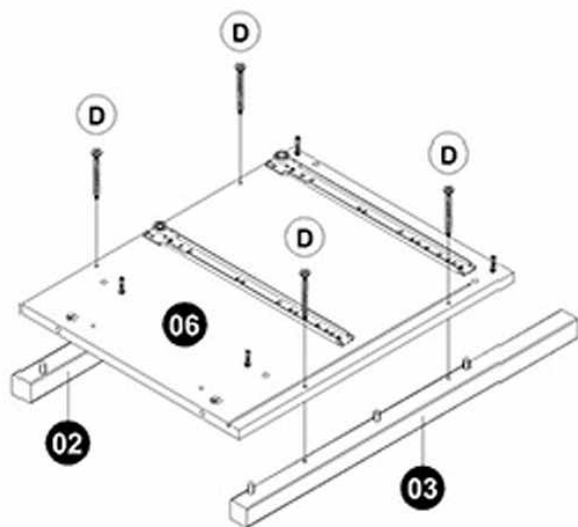
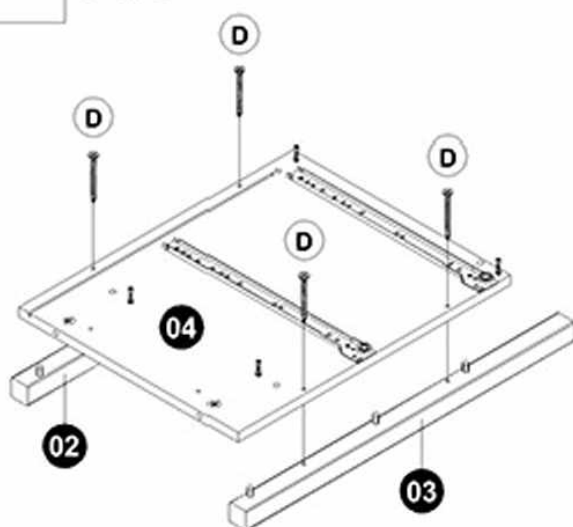
G x 12



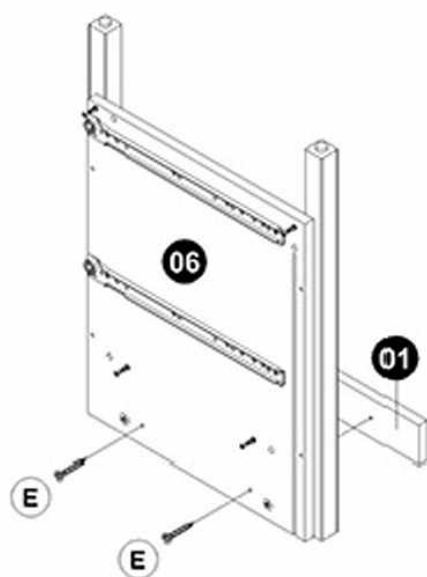
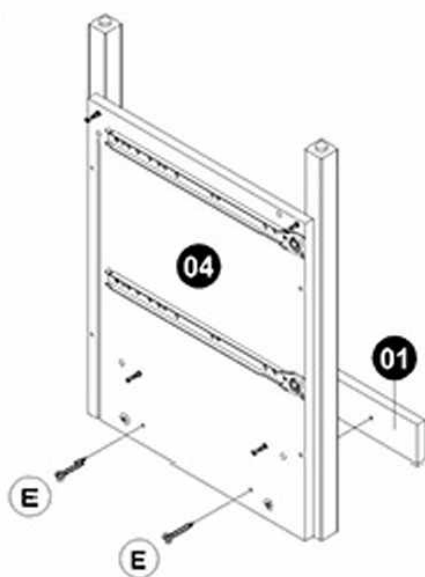
# Guide To Assembly

## Espresso

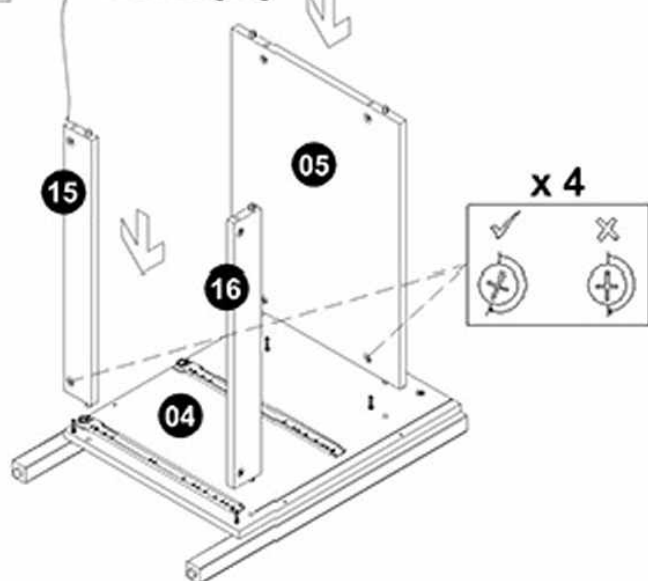
2  D x 8



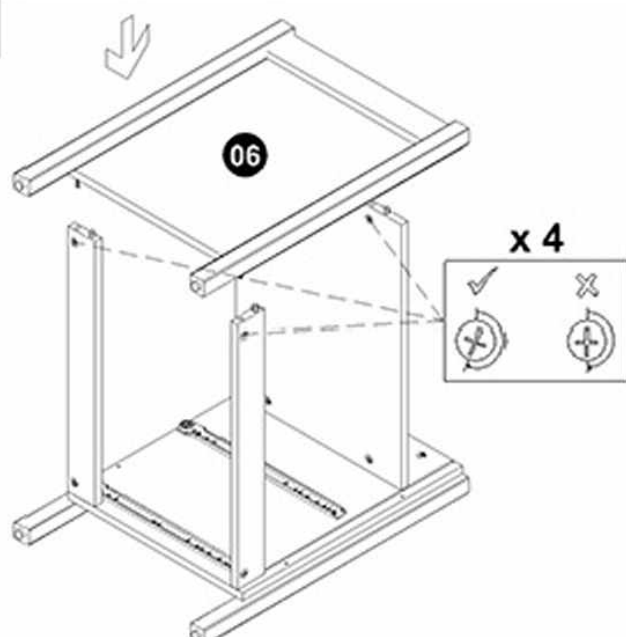
3  E x 4



4 with Edging



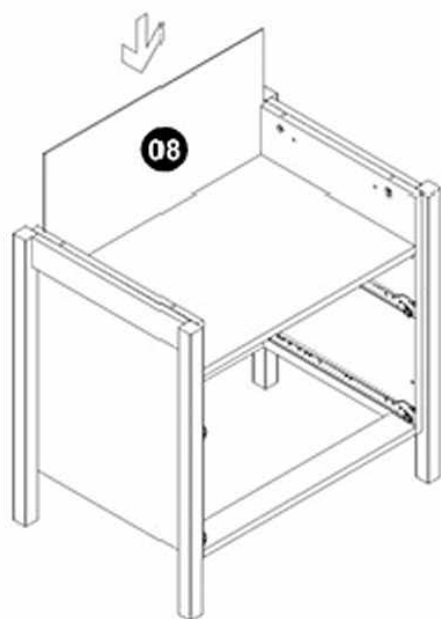
5



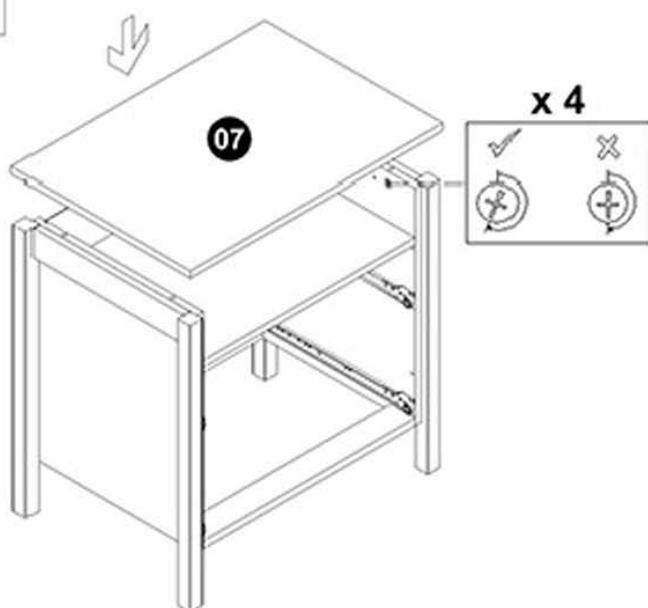
# Guide To Assembly

## Espresso

6



7



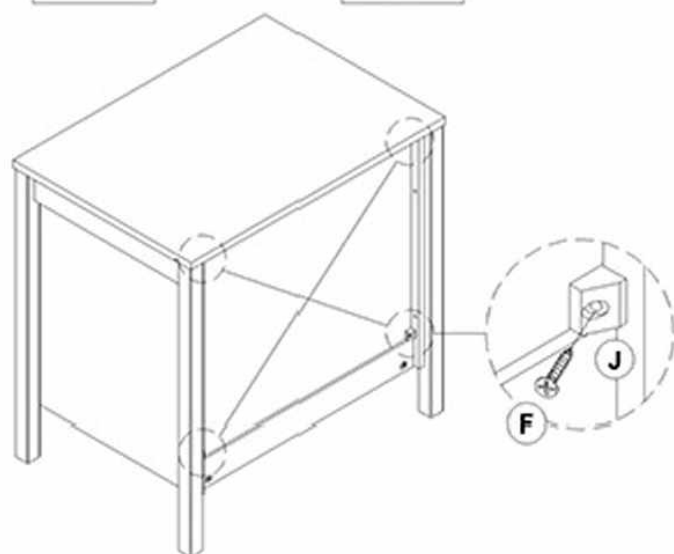
8



F x 4



J x 4



9



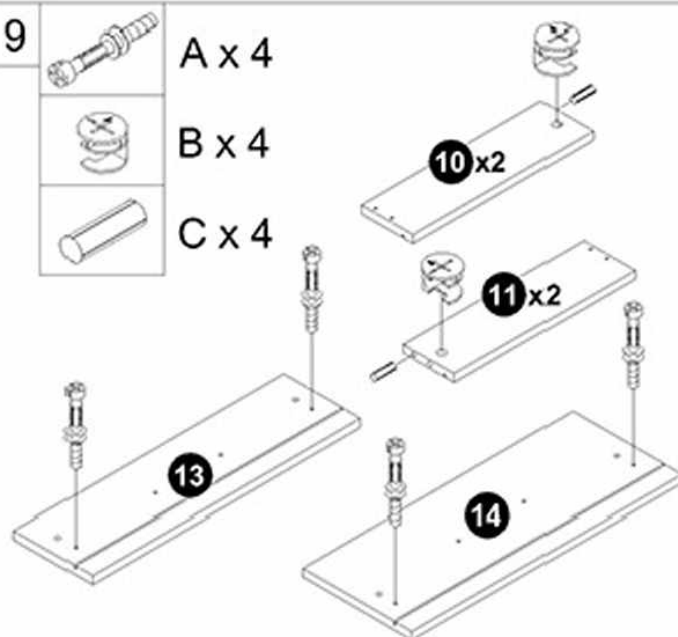
A x 4



B x 4



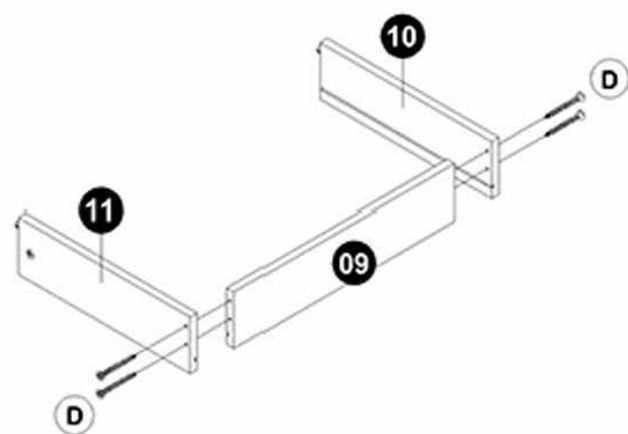
C x 4



10



D x 8



11



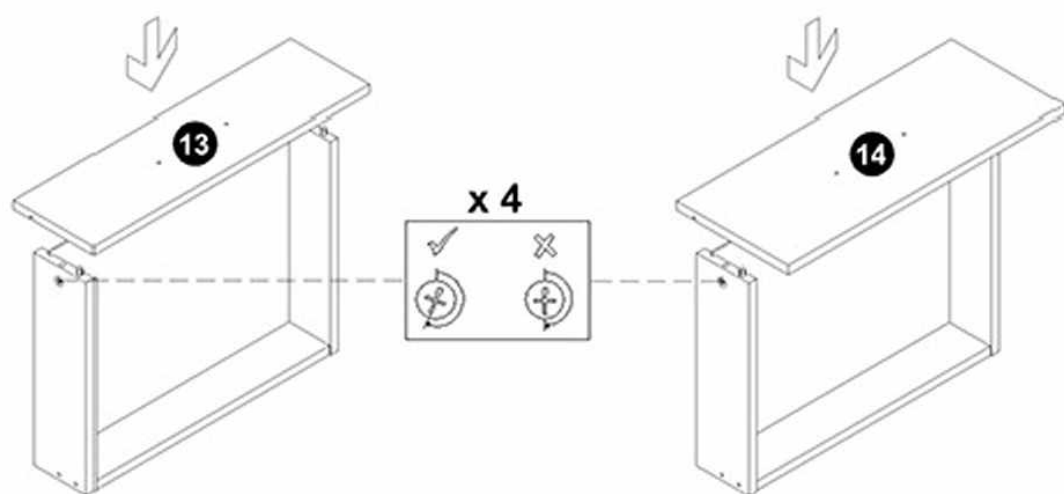
Do This Step 2 Times

Do This Step 2 Times

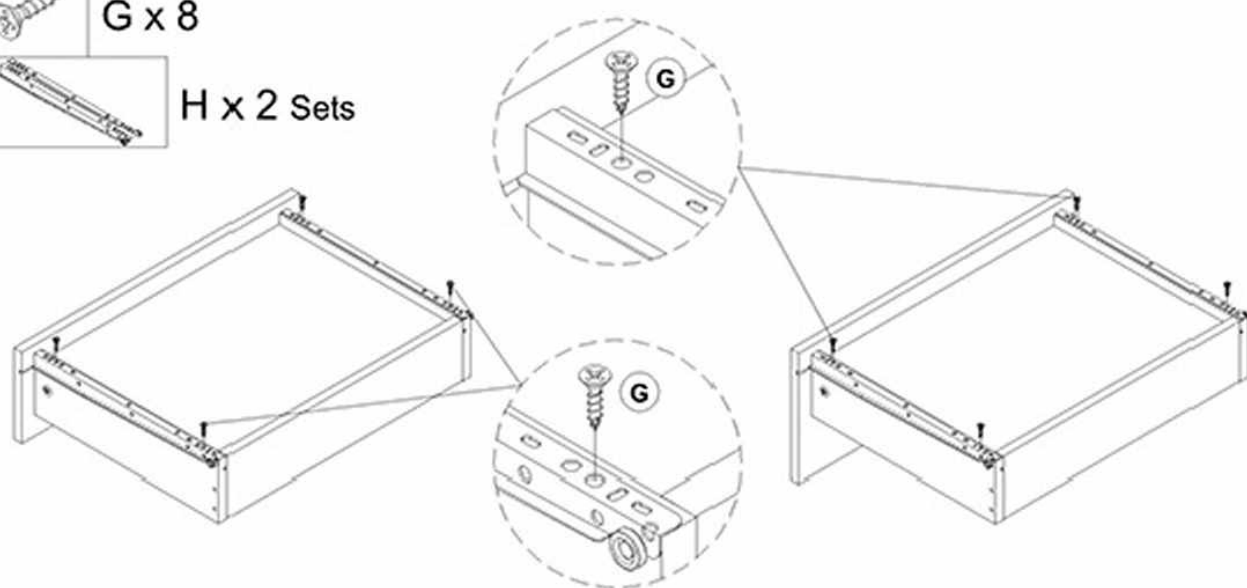
# Guide To Assembly

## Espresso

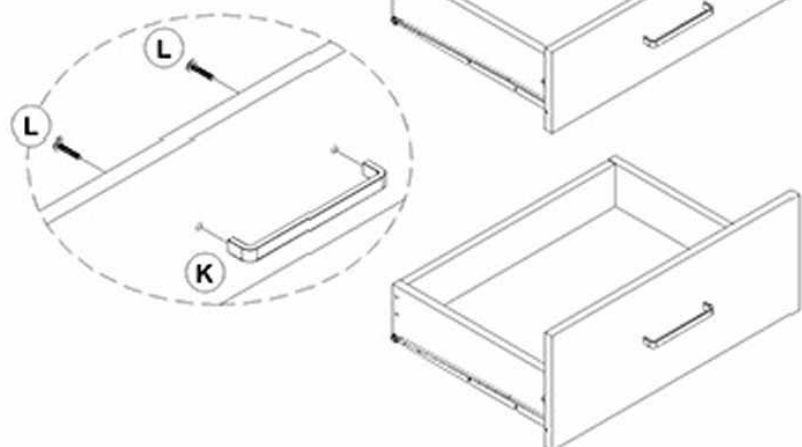
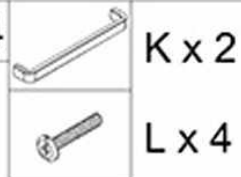
12



13



14



15

