

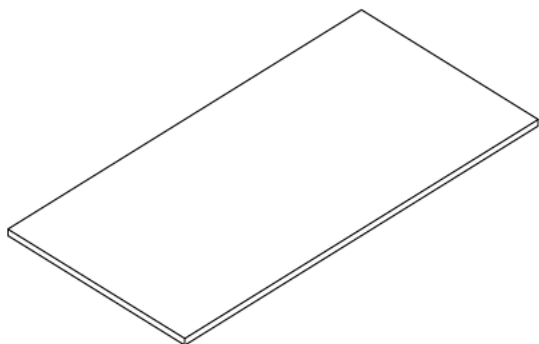
READ AND SAVE THIS INSTRUCTION FOR FUTURE USE



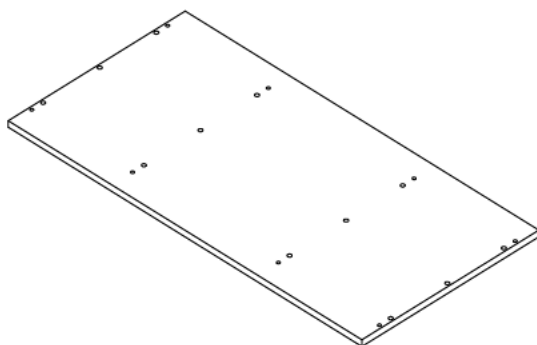
Tools Recommended

# ASSEMBLY INSTRUCTION

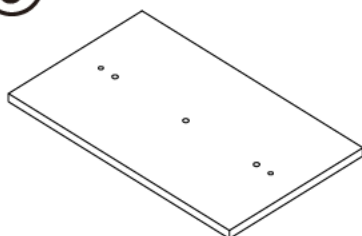
①



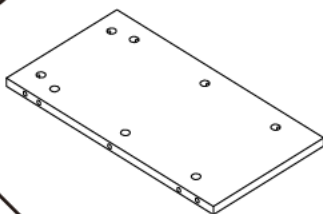
②



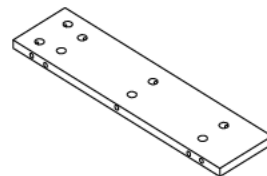
③



④

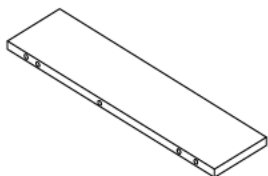


⑤

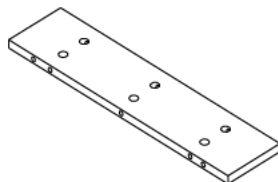


x2

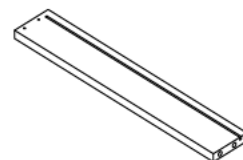
⑥



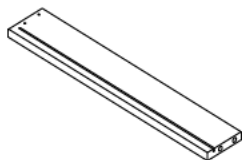
⑦



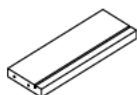
⑧



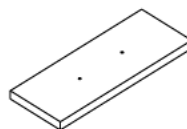
⑨



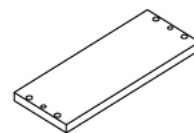
⑩



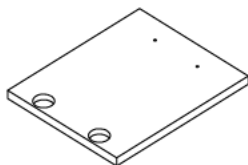
⑪



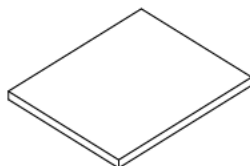
⑫



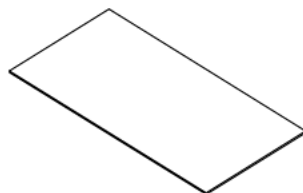
⑬

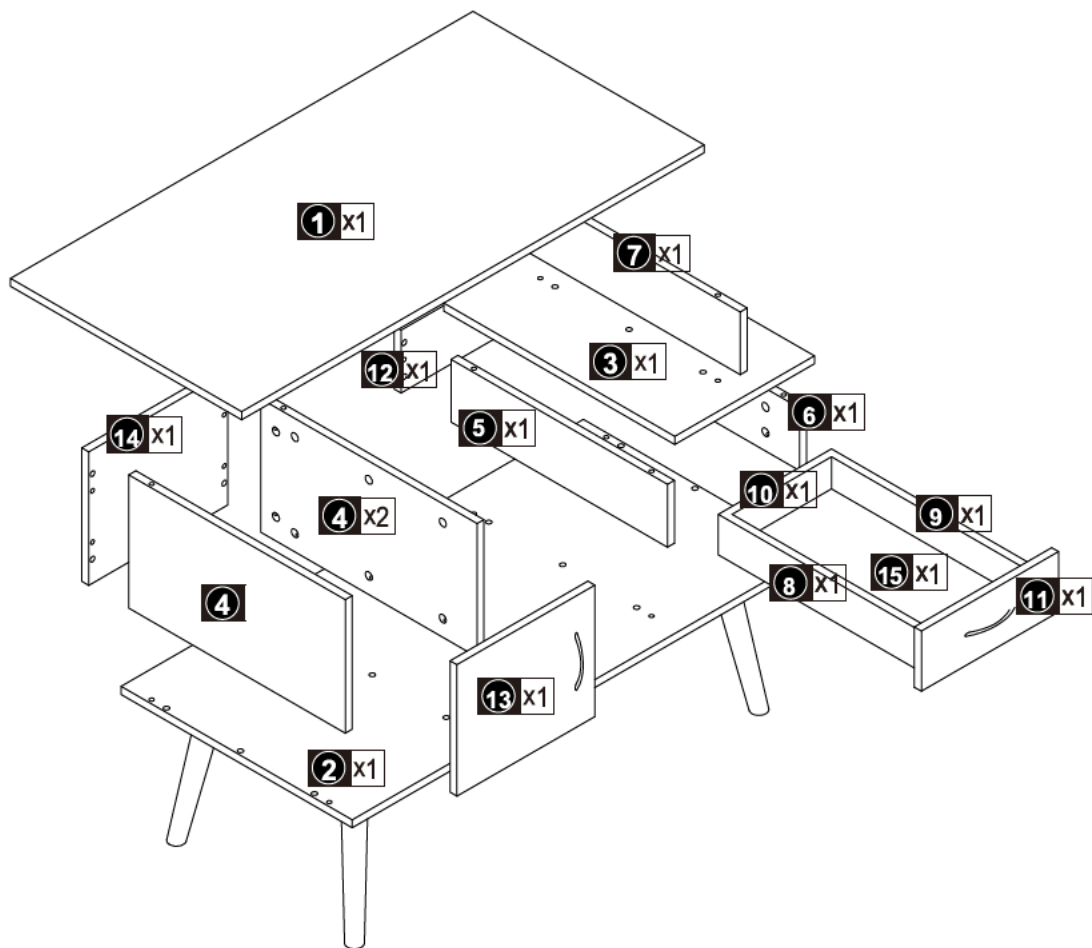




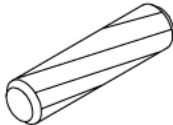

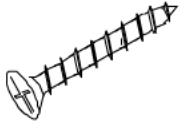



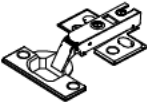
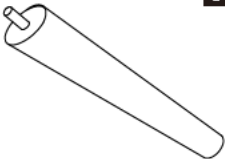
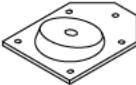

⑭



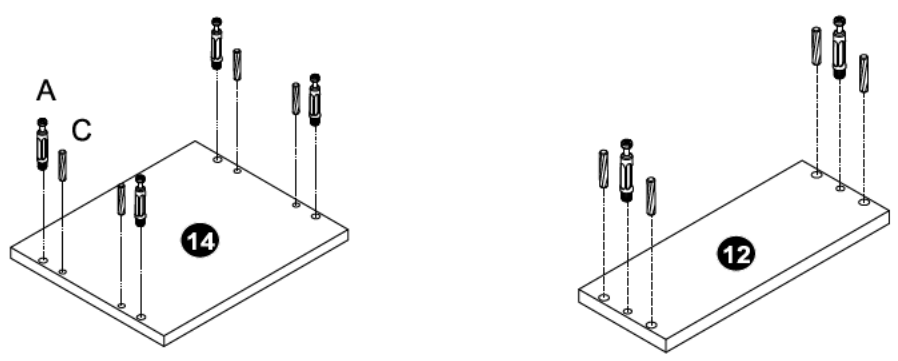
⑮



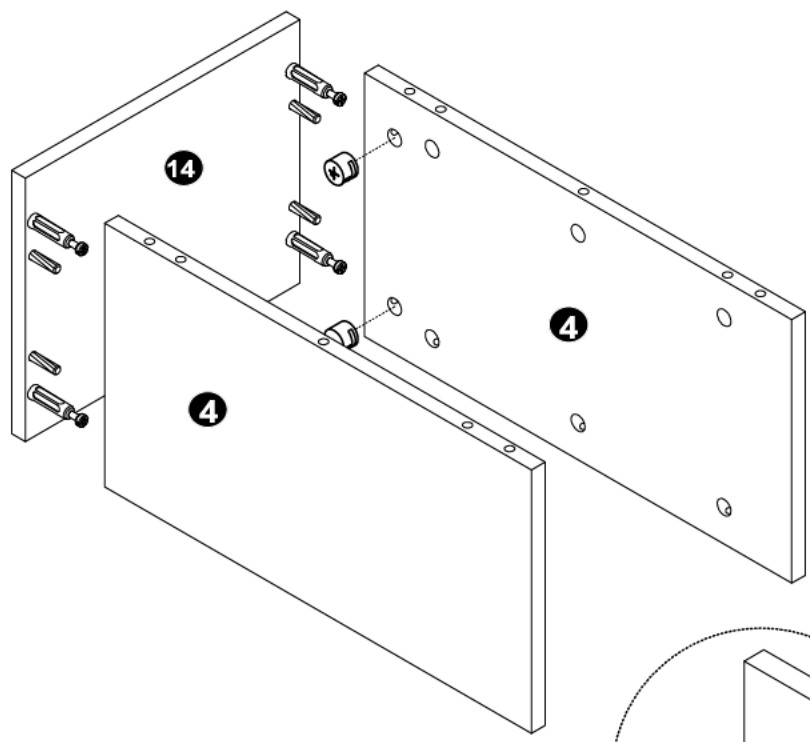


 <p><b>A</b> x40</p>	 <p><b>B</b> x40</p>	 <p><b>C</b> x28</p>
 <p><b>D</b> x44</p>	 <p><b>E</b> x4</p>	 <p><b>F</b> x40</p>
 <p><b>G</b> x2</p>	 <p><b>H</b> x2</p>	 <p><b>J</b> x2</p>
 <p><b>K</b> x4</p>	 <p><b>L</b> x4</p>	 <p><b>M</b> x1</p>

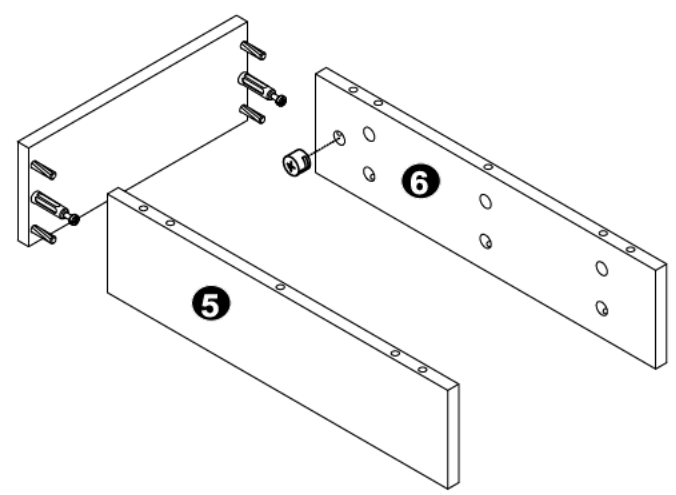
- 12** x1
- 14** x1
- A** x 6
- C** x 8

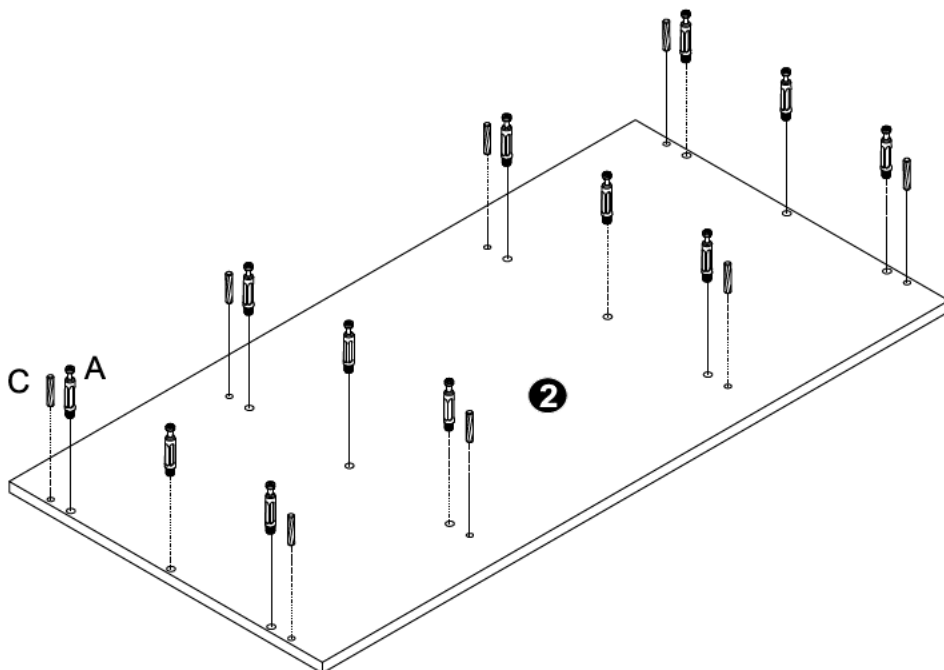


- 4** x2
- B** x4



- 5** x1
- 6** x1
- B** x2

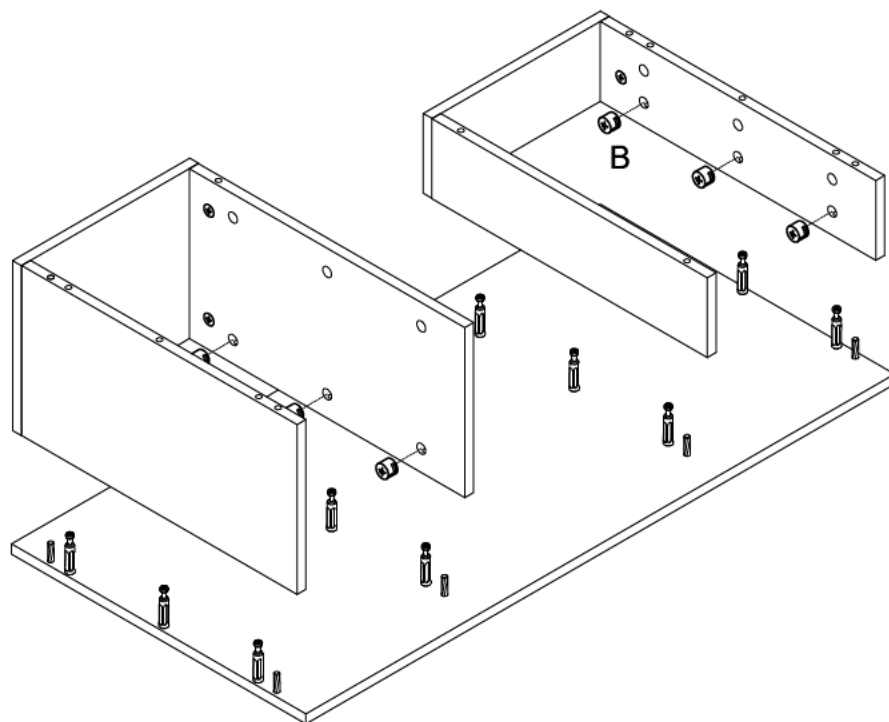




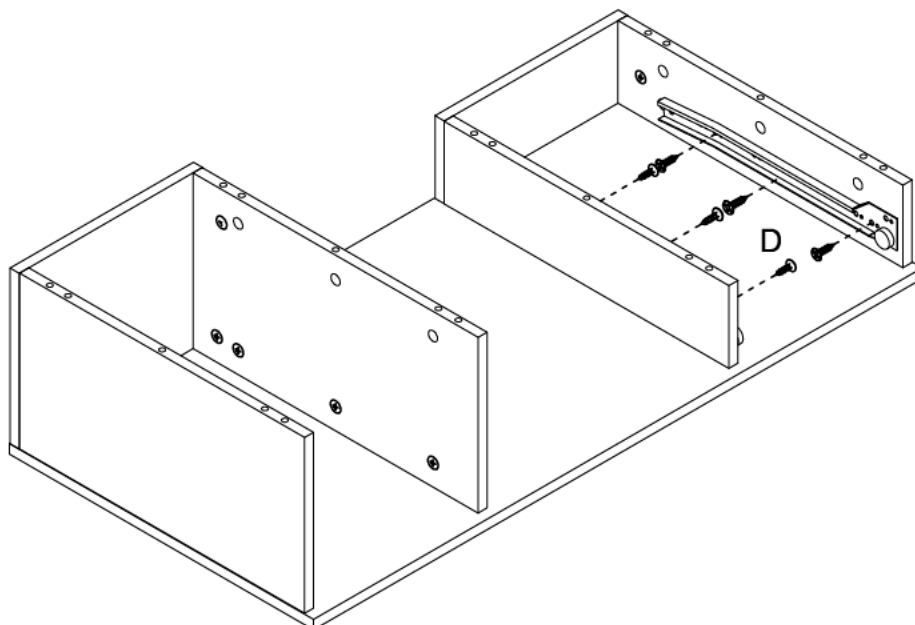
**2** x1

**A** x12

**C** x8

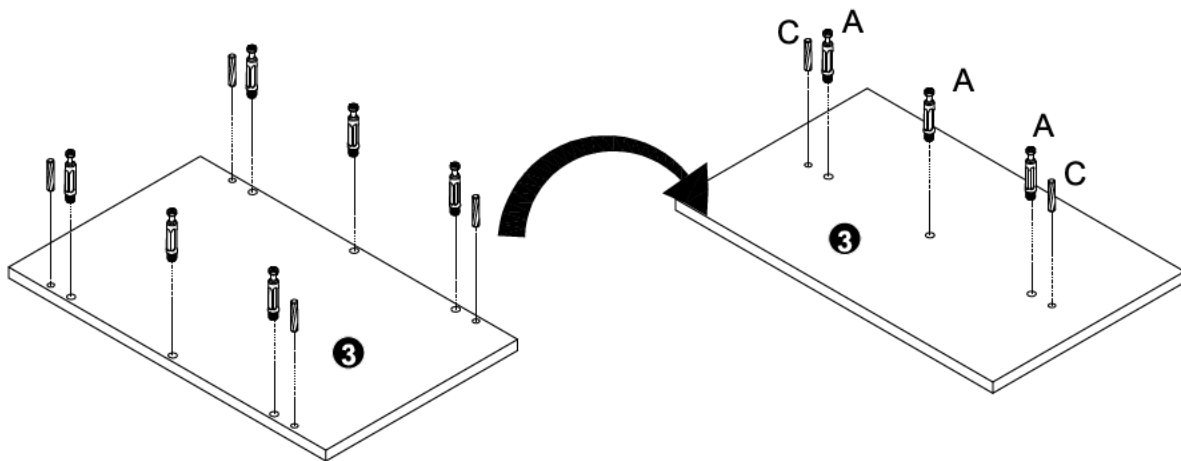


**B** x12

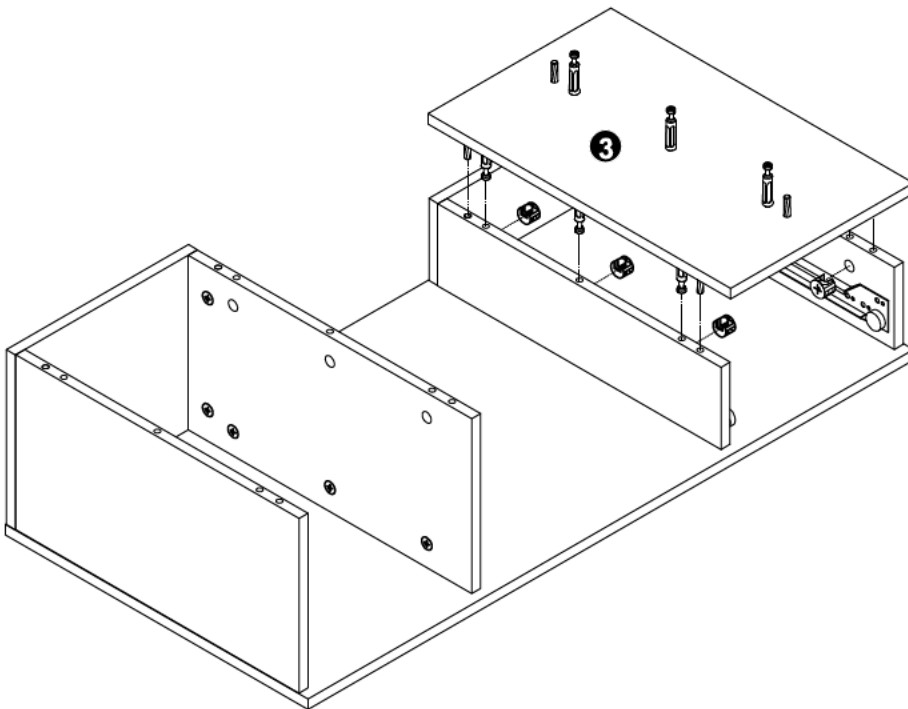


**D** x6

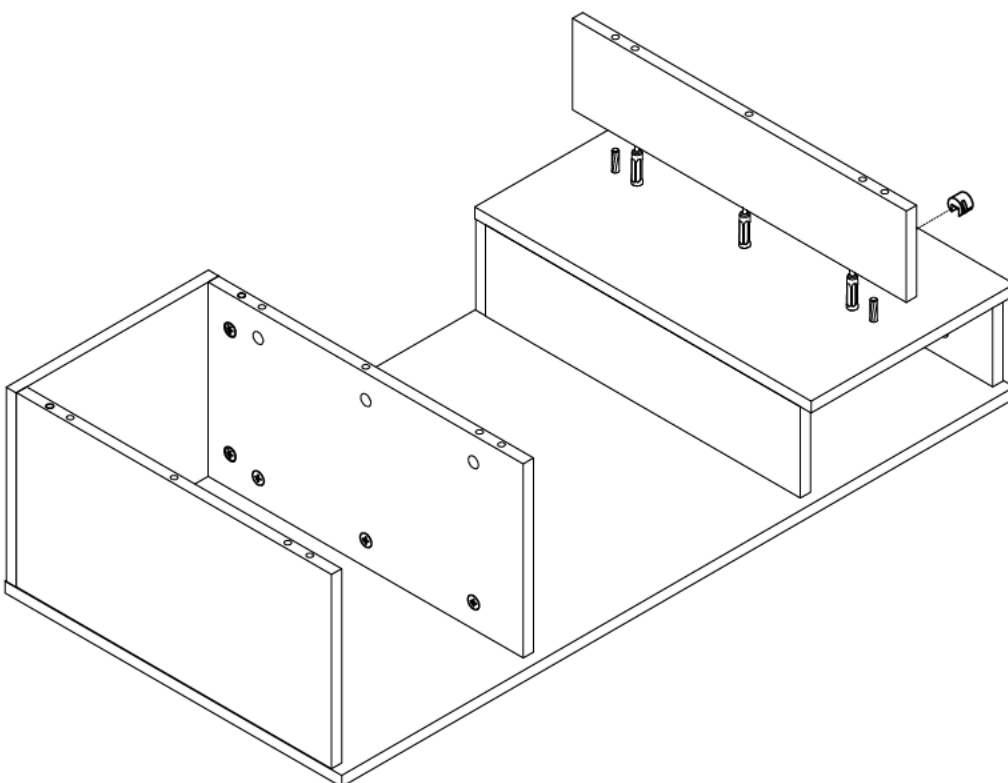
**M** x2



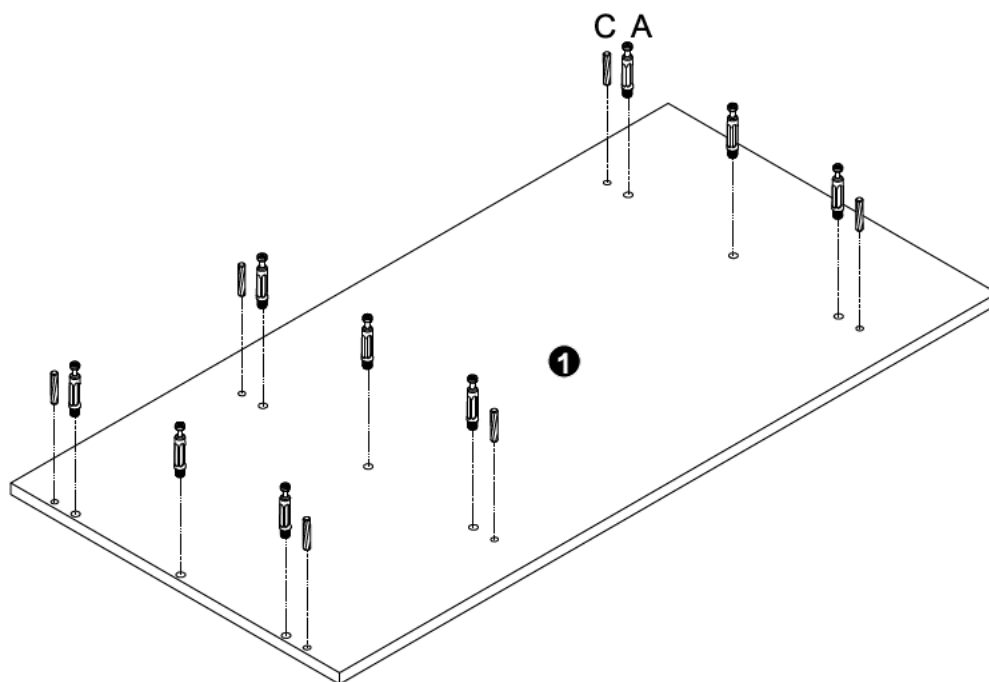
- 3** x1
- A** x9
- C** x6



- B** x6



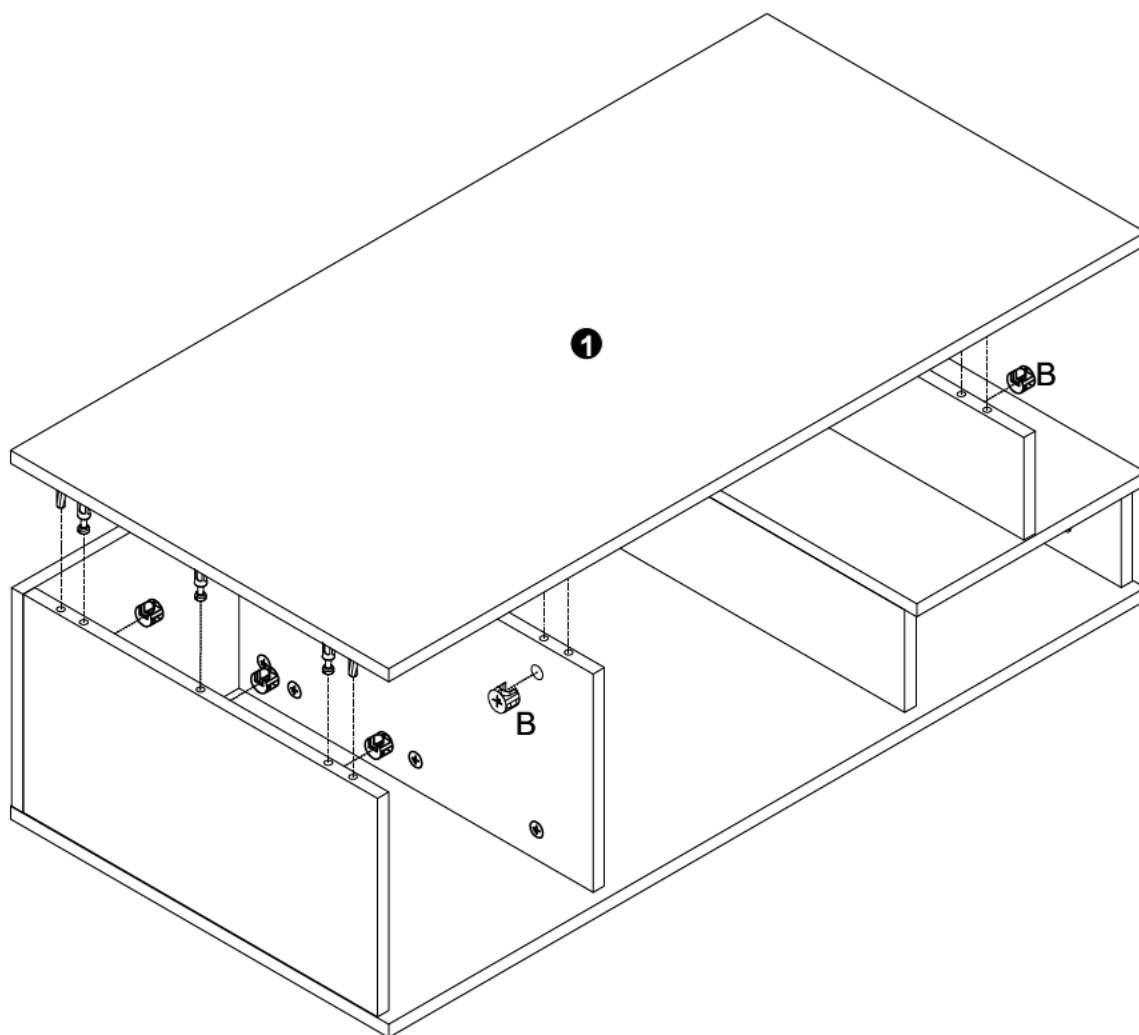
- B** x3



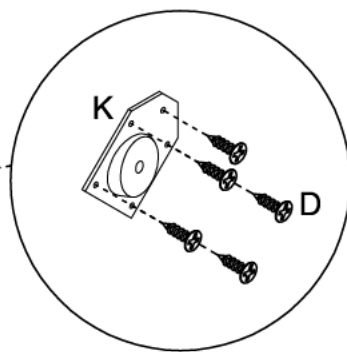
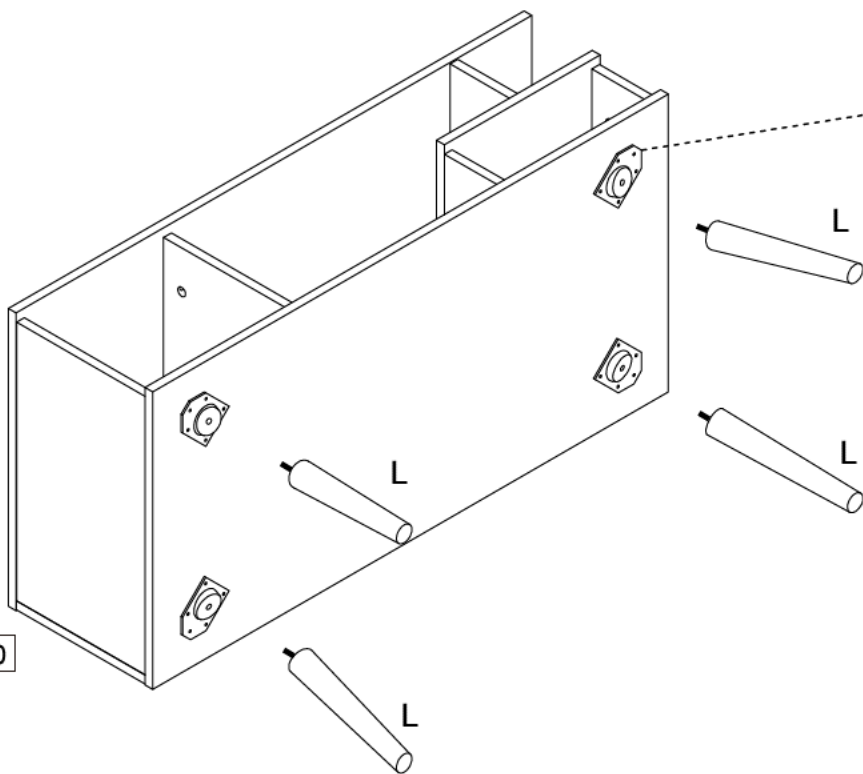
**1** x1

**A** x9

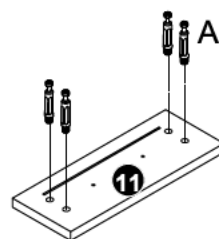
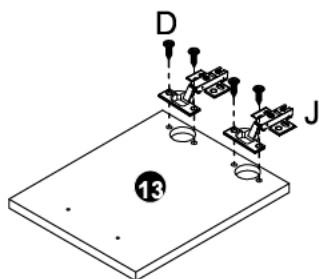
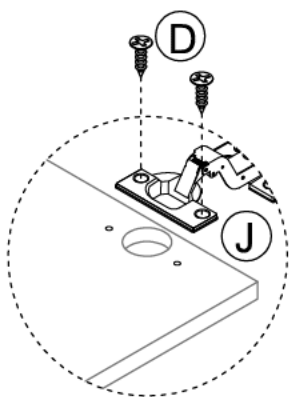
**C** x6



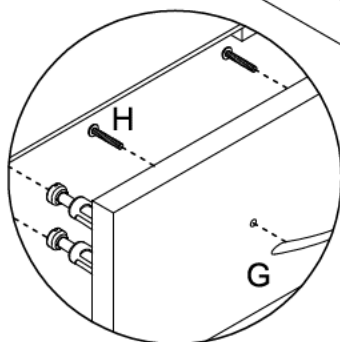
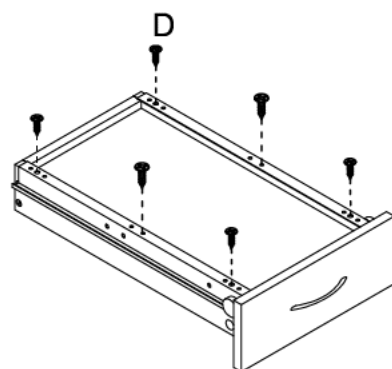
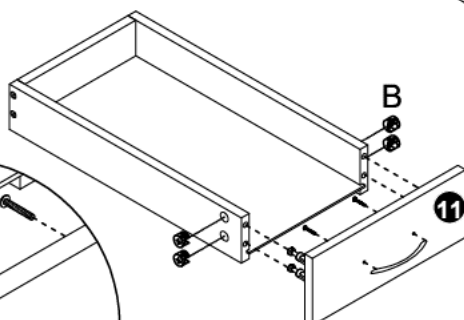
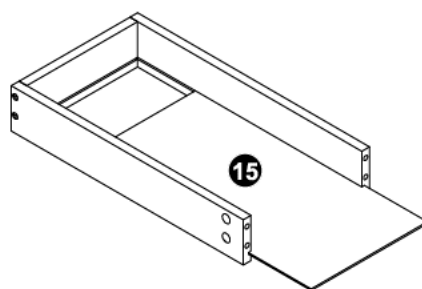
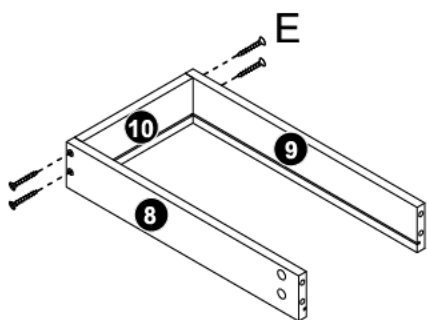
**B** x9



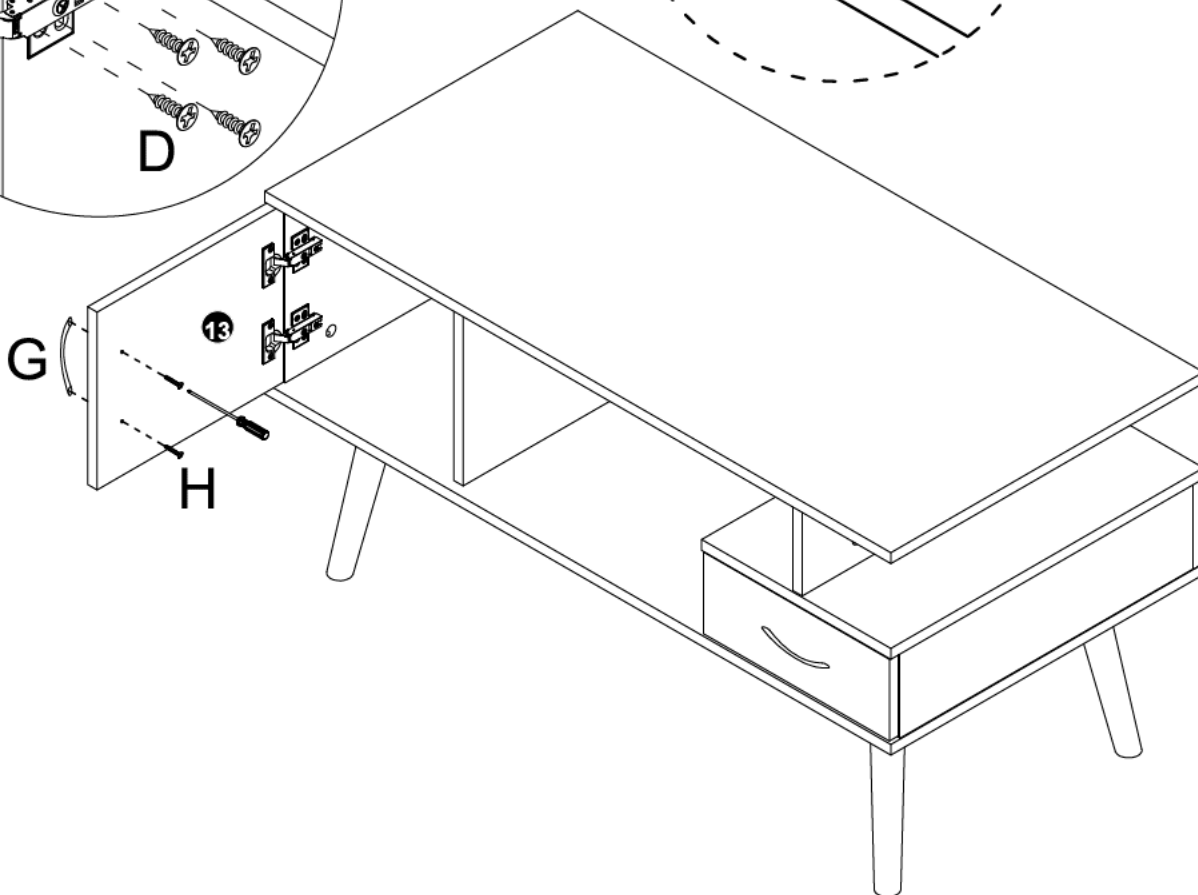
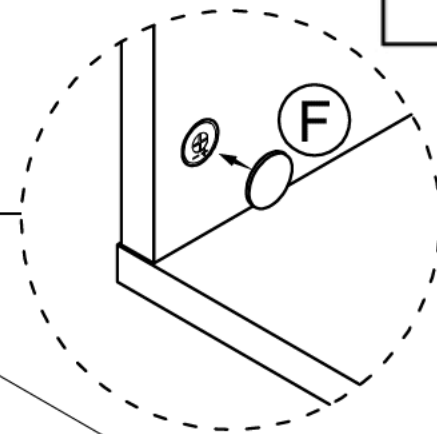
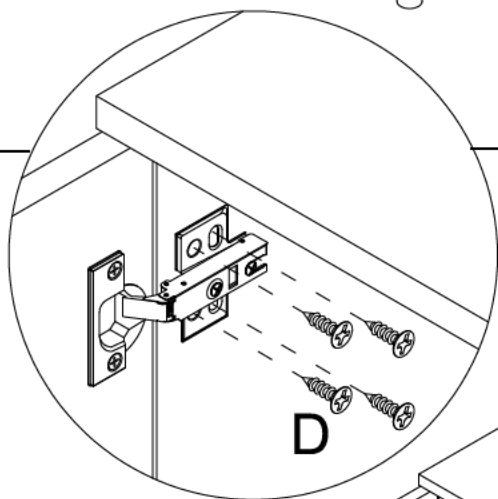
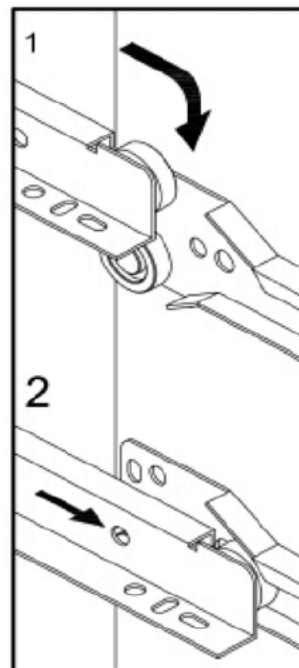
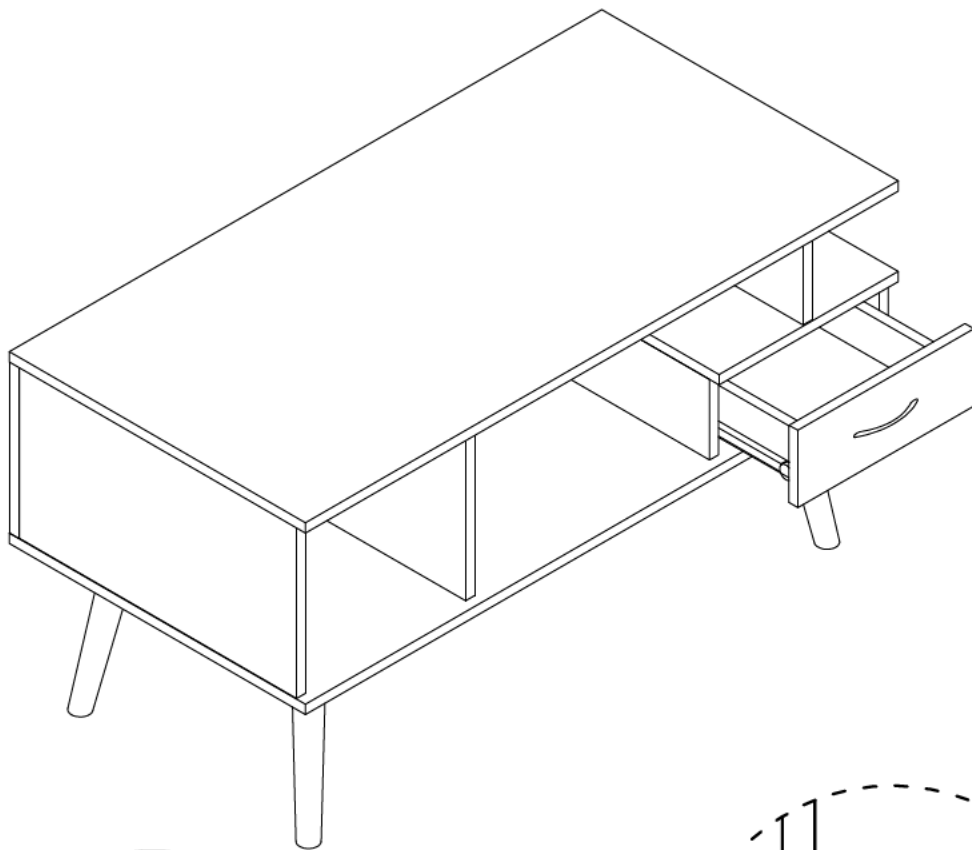
- D** x20
- K** x4
- L** x4



- 13** x1
- 11** x1
- A** x4
- D** x4
- J** x2



- 8** x1
- 9** x1
- 10** x1
- 11** x1
- 15** x1
- B** x4
- D** x6
- E** x4
- G** x1
- H** x2
- M** x2



- 13** x1
- D** x8
- G** x1
- H** x2
- F** x40

