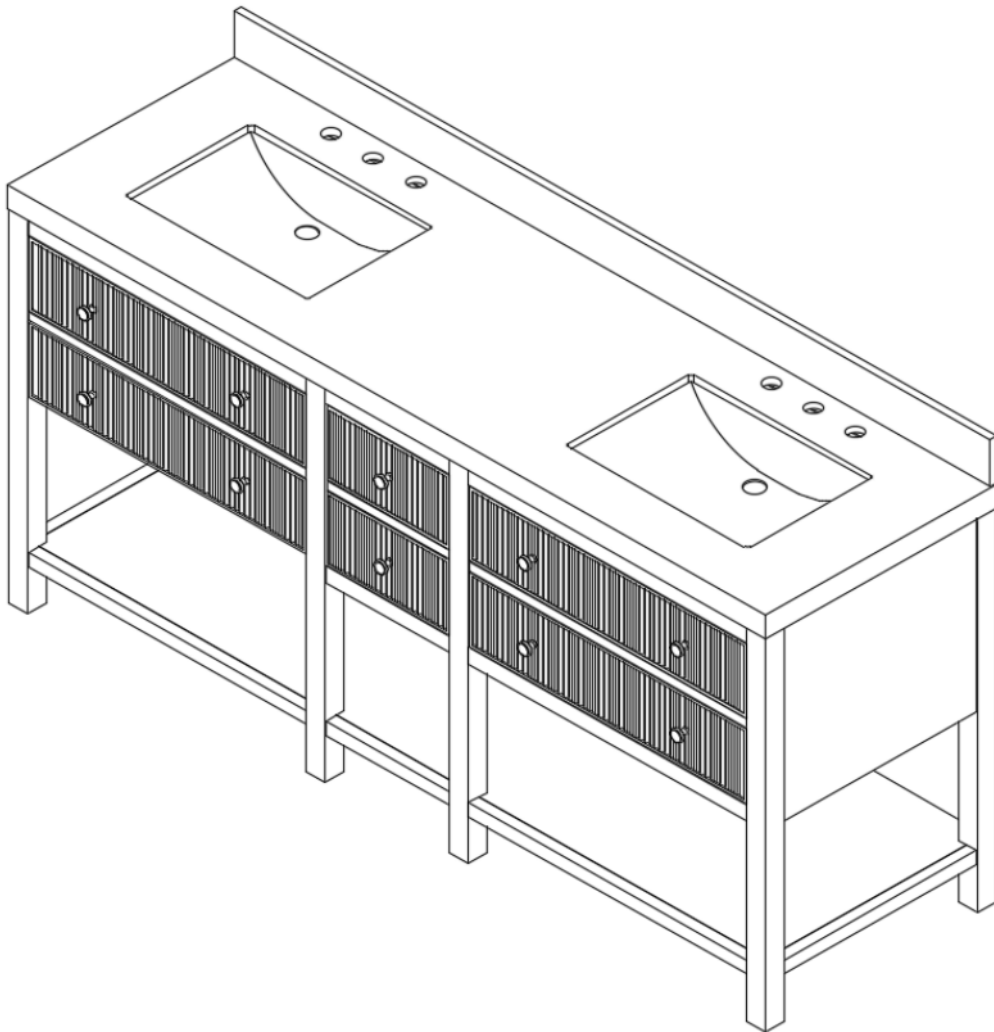


Vanity Cabinet with Countertop & Sinks

Assembly & Care Instructions

72 Inch Double Cabinet & Countertop



Before you begin:

Please review all your packing materials carefully before discarding. Some assembly parts may be packaged separately. Confirm you have all the parts required for assembly and installation of this cabinet & countertop before discarding the packing materials.

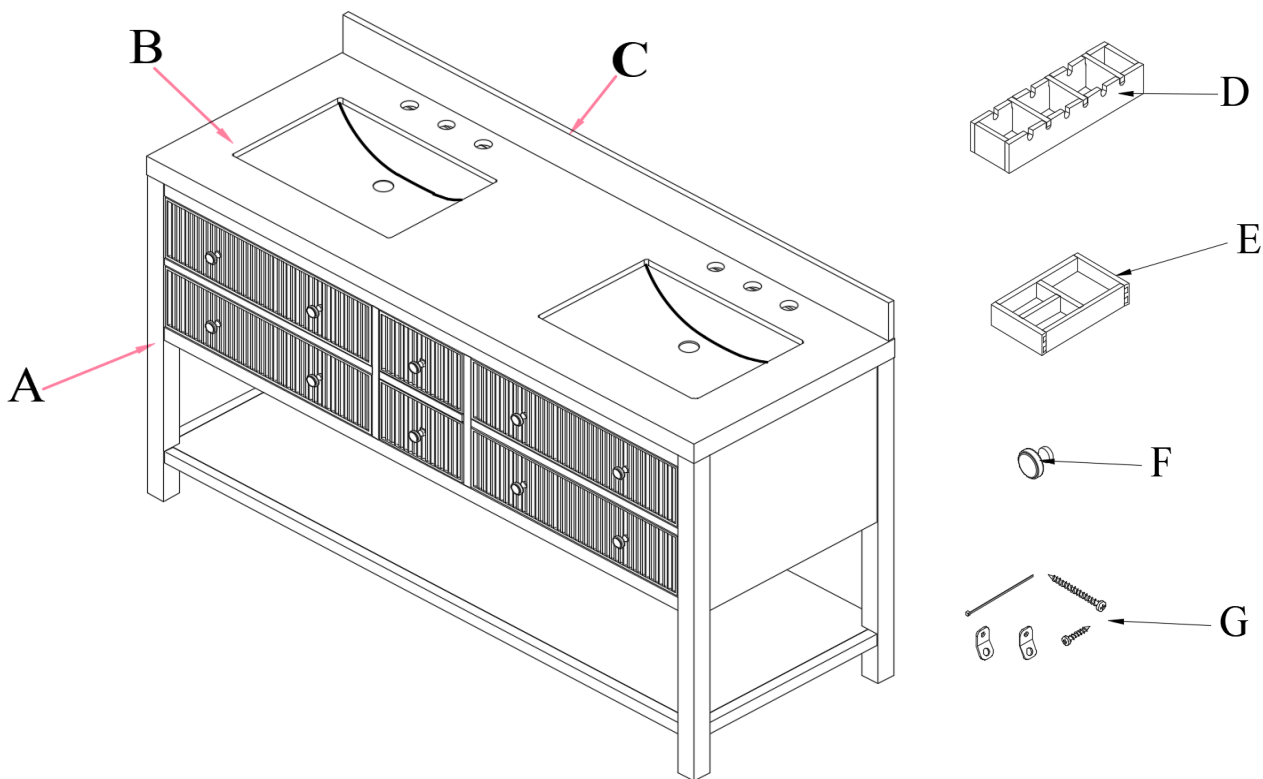
Carton Contents are shown on the top of Page 2.

Carton Contents

- A) Vanity Cabinet
- B) Countertop with Undermount Sink (Attached)
- C) Backsplash*
- D) Pine In-Drawer Organizer
- E) Bamboo In-Drawer Organizer
- G) Anti-Tip Kits

(**Note:** Faucet, Drain, and P-trap are not included and must be purchased separately.)

*Side splashes are available and may be purchased separately.



Pre-Installation - Review:

Confirm the installation location of this vanity is clear of obstructions and the locations of the waste line and water supplies are compatible with this cabinet.

Recommended Tools and Equipment pictured below



Safety goggles



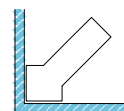
Level



Silicone



Clean rag



Caulk finishing tool

Manufactures Note:

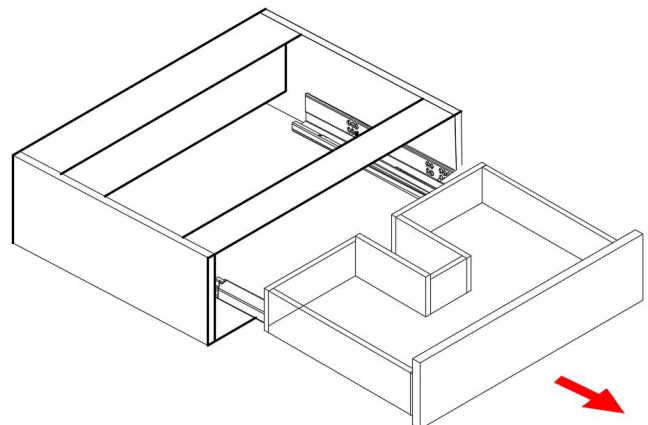
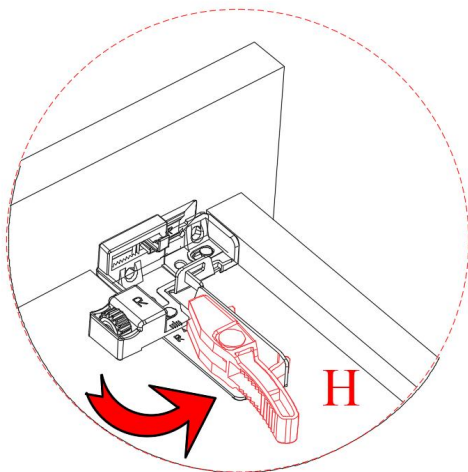
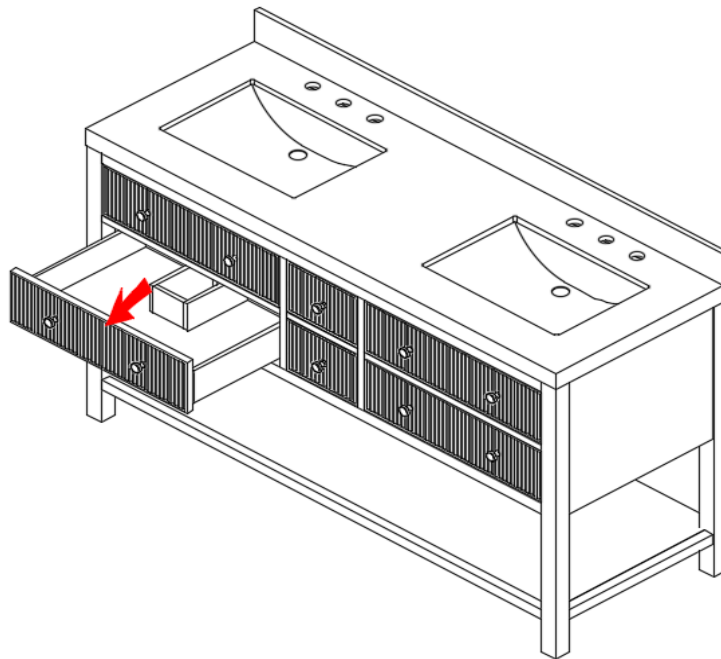
We recommend you always consult with professional installers and contractors regarding the correct installation of this vanity cabinet and countertop.

Please keep this **Assembly & Care Guide** for future reference.

Steps for the Removal and Installation of the Drawer with the Under Mount Slides:

Removal:

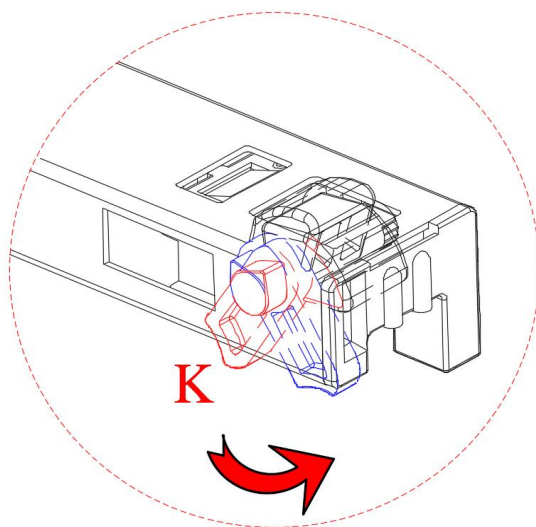
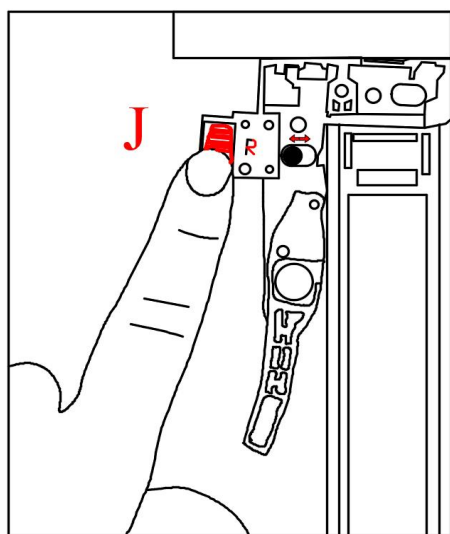
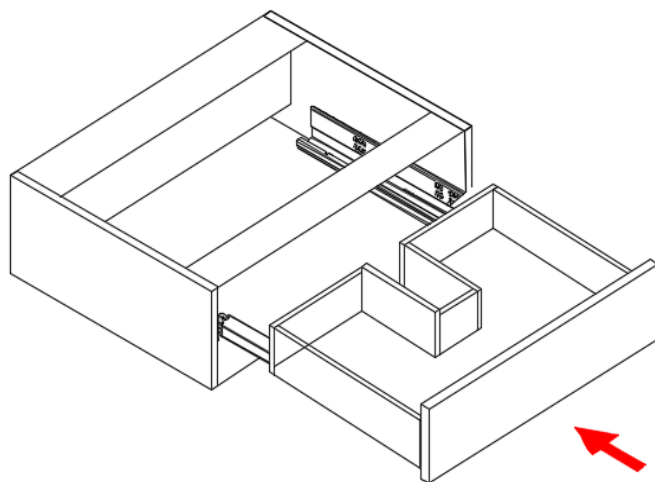
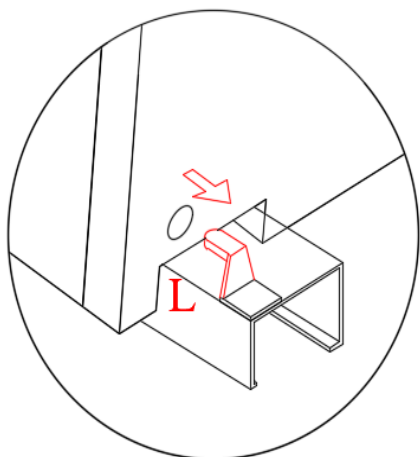
- Pull the drawer towards you until it has reached full extension away from the cabinet.
- On the underside of the drawer you will see the pair of metal drawer slides.
- Locate the pair of red locking devices (H).
- They are located near the drawer front and face each other.
- Press the locking devices(H) on the two slides with your hands softly in the direction of the arrow, then pull out the drawer.



Steps for the Removal and Installation of the Drawer with the Under Mount Slides:

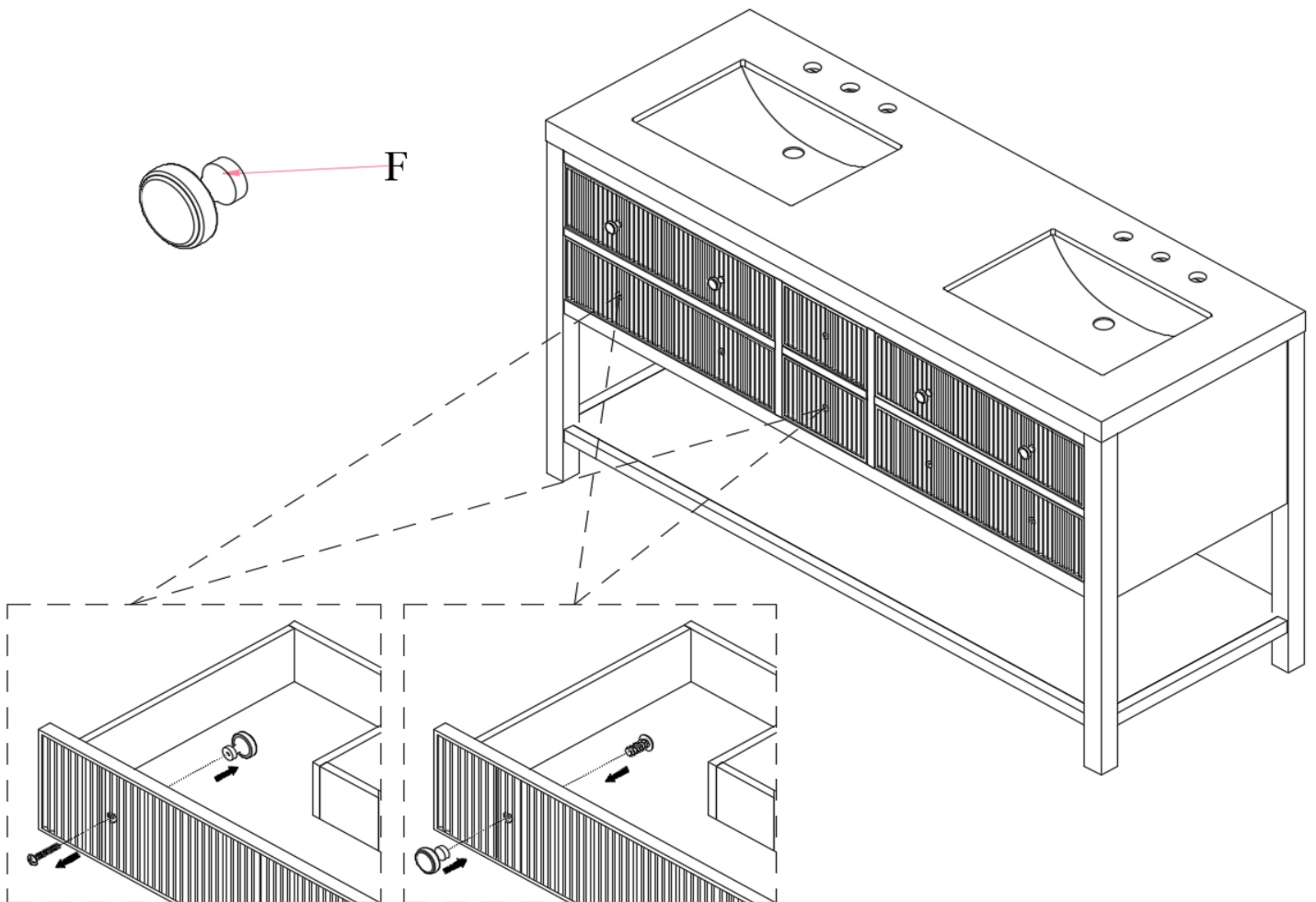
Installation

- Look on the bottom of the drawer, you will see the pre-drilled holes toward the back of the drawer box.
- Once you have located these holes, please hold the slides and slowly push the drawer box to the back pins (L).
- Reinsert the pins (L) and the locking devices (H) to lock the drawer into the correct position on the slides.
- Adjust the left and right gaps of the drawer by rotating the wheels (J) attached on the back of the bottom drawer box.
- Adjust the up and down gaps of the drawer by pulling the pins (K) attached on the back of the bottom drawer box. There are three levels of adjustment.



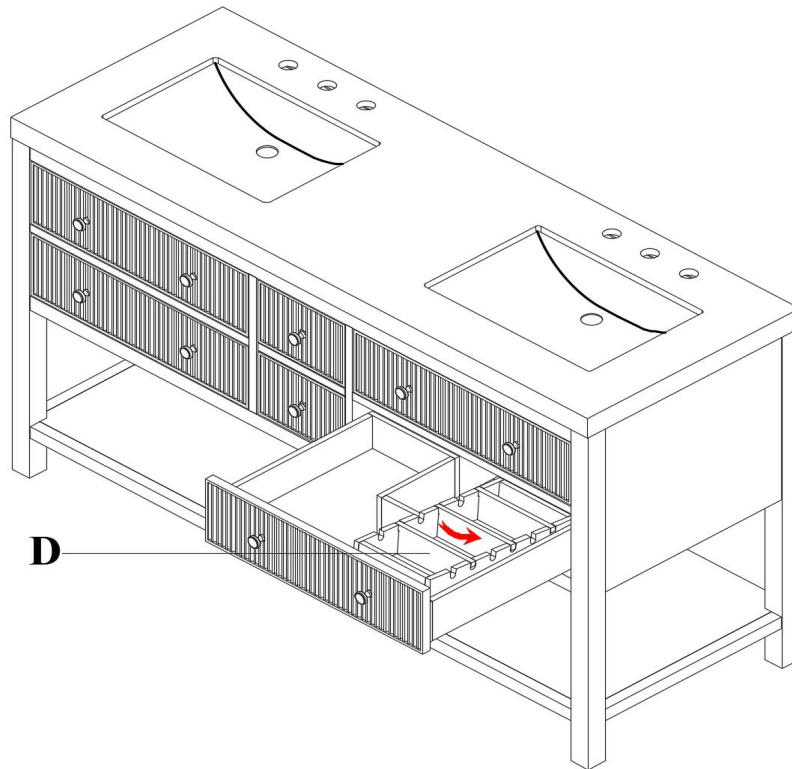
Installation

1. Remove the handles (F) from the inside of the drawers, align the handles (F) with the pre-drilled holes located on the outside of the drawers. Secure the handles (F) with bolts.

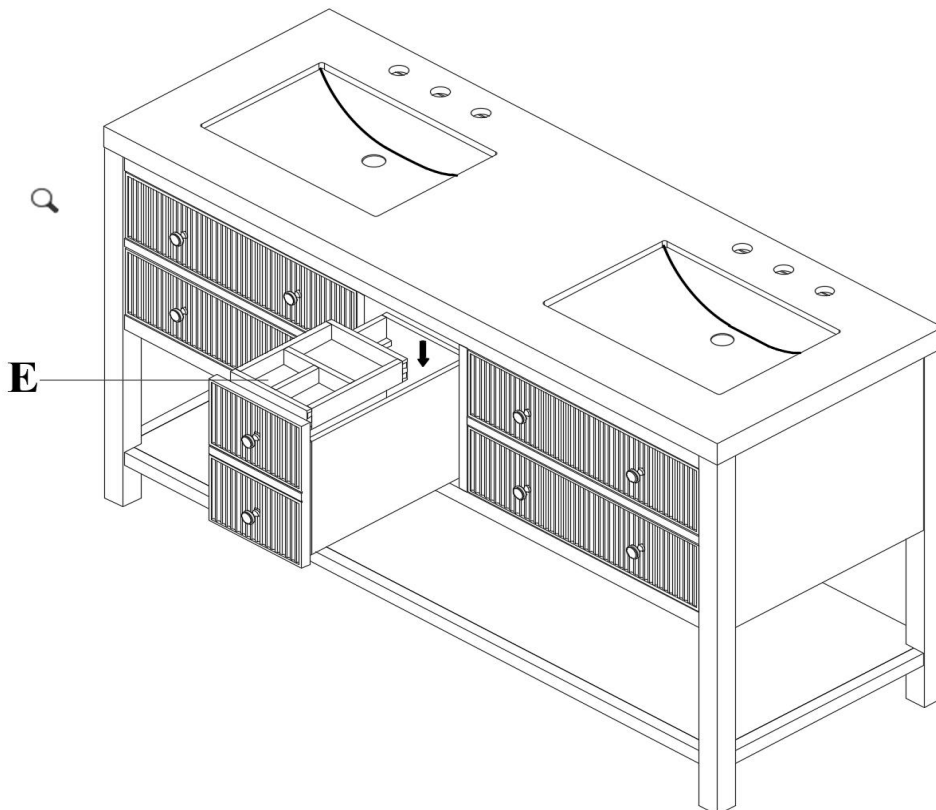


Installation

2. Pull out the middle drawer and put the pine drawer organizer (D) into the drawer box.







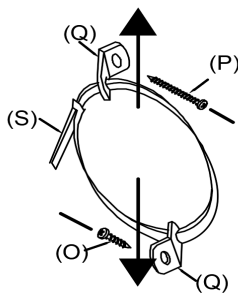
3. Pull out the left drawer and put the bamboo drawer organizer (E) into the drawer box.



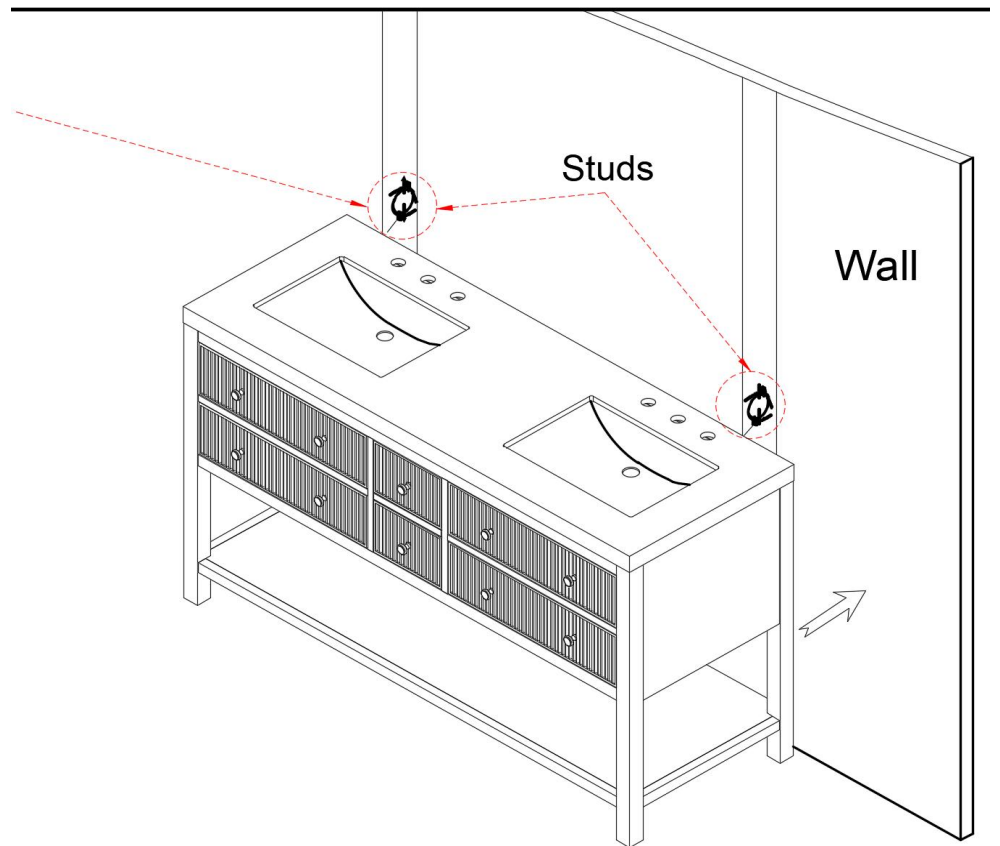
Installation

4. Attach a Bracket (Q) to back of Cabinet near top by using the Small Screw (O) through smaller hole. Next, attach remaining Bracket (Q) to wall stud with Large Screw (P), positioning it 2 inches below Bracket of cabinet. Align both Brackets vertically, and thread Retention Belt (S) through them. Ensure strap is properly laced and securely locked

Ltr.	Qty.	Hardware Included	
O	2		Small Screw
P	2		Large Screw
Q	4		Brackets
S	2		Retention Belt



X2



WARNING

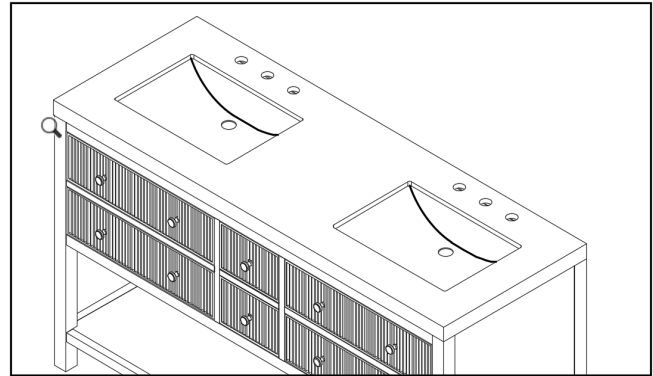
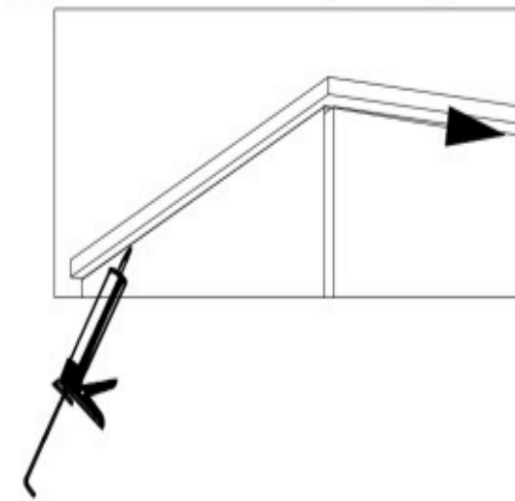
Serious or fatal crushing injuries can occur from furniture tip-over.

To help prevent tip-over:

- Never allow children to climb or hang on drawers and doors.
- Never open more than one drawer at a time.
- The use of tip-over restraints may only reduce, but not eliminate the risk of tip-over.

Countertop Installation

1. Carefully apply silicone adhesive to the perimeter edge of the cabinet top (the area where the countertop will rest on top of the cabinet).

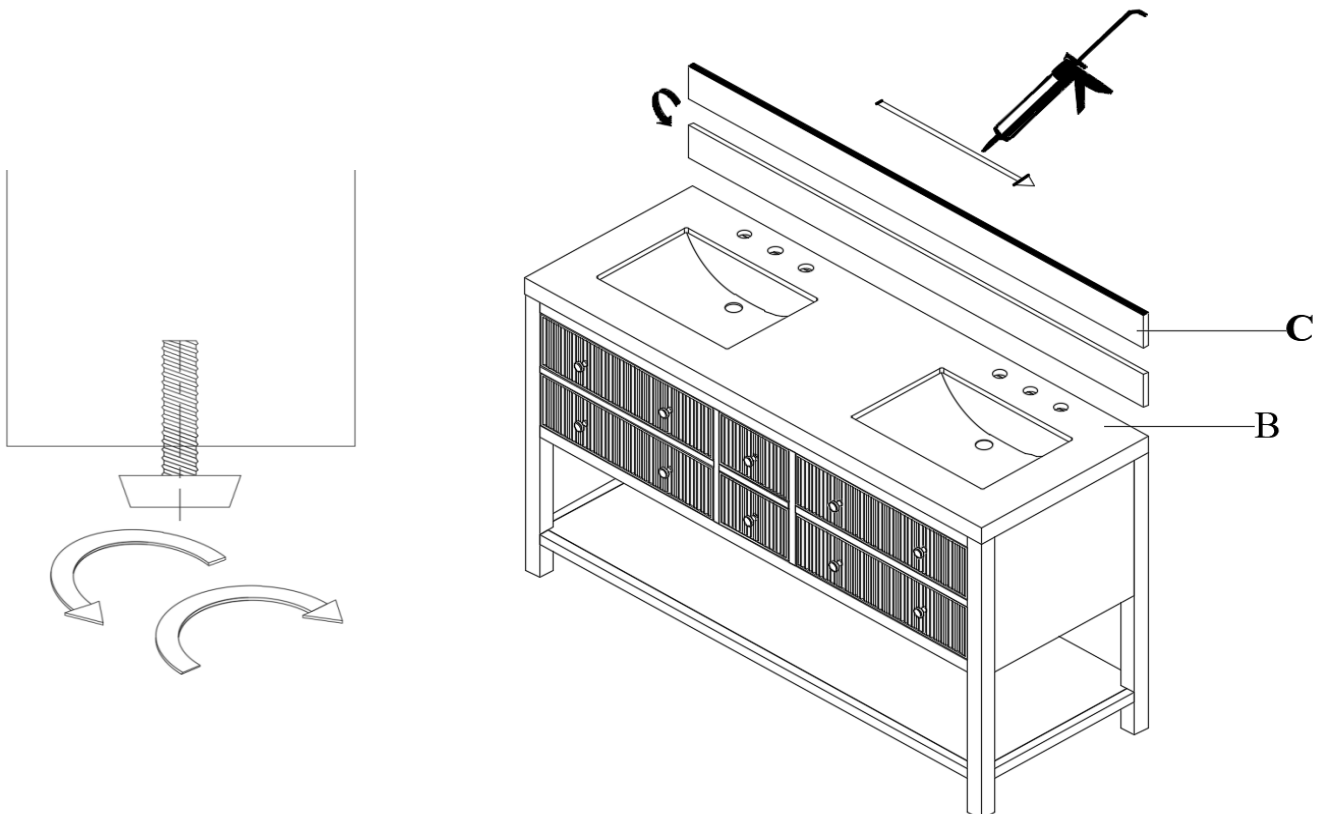


2. Carefully and thoroughly clean the countertop before attaching the backsplash (or side splash).

Apply silicone adhesive to the bottom edge of the backsplash (side splash) before lowering in onto the countertop.

Carefully align the backsplash (or side splash) and remove any excess adhesive.

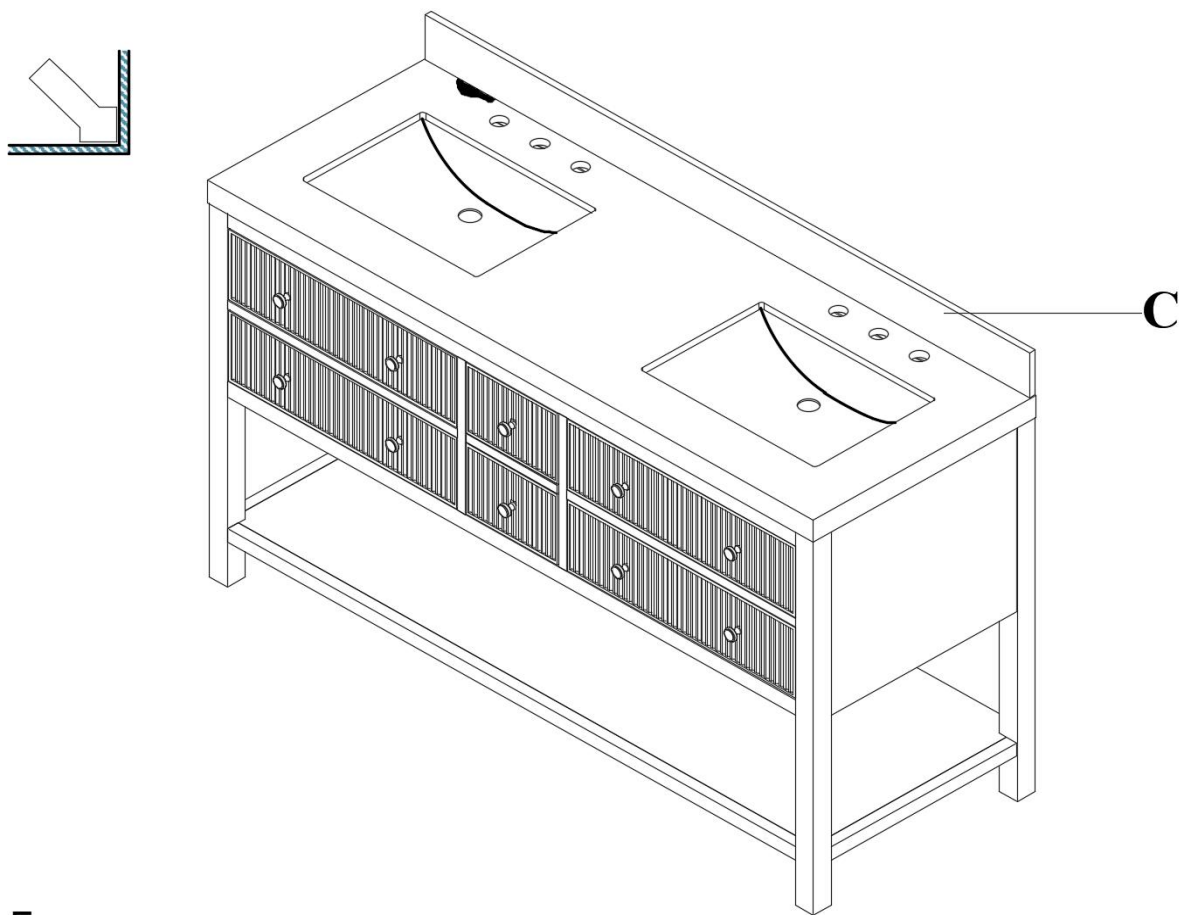
Before the step, adjust all adjustable - height levelers (including the center foot levelers if the cabinets have them) to keep the countertop level, aligned with the backsplash, and ensure the cabinet is stable and does not shake



(Side splashes are available and may be purchased separately).

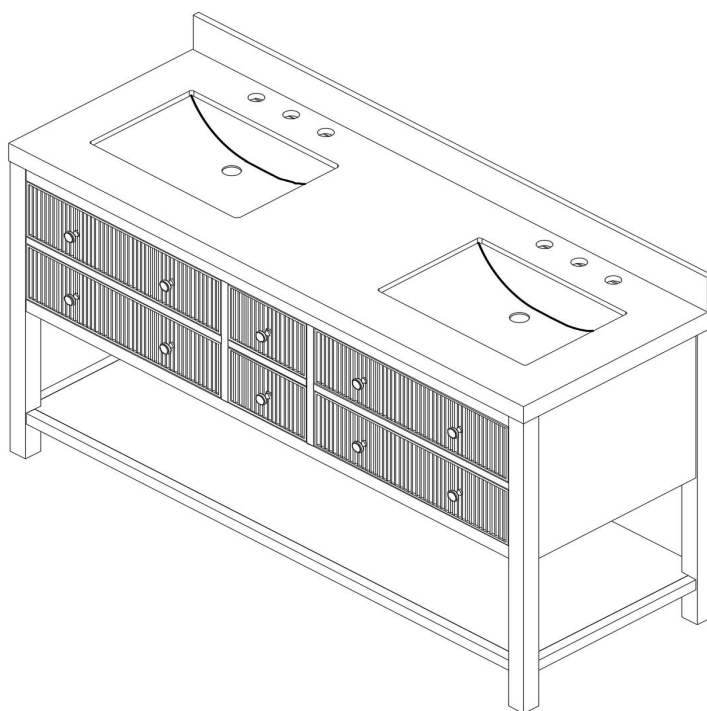
Countertop Installation

3. To prevent scratching we recommend using a plastic caulking tool to remove excess silicone adhesive.



Before Use

We recommend you wait 24 hours for the silicone adhesive to set completely before using water.



How to Keep Your Countertop Looking Beautiful

Your quartz countertop is built to last - strong, stain-resistant, and stylish. Here's how to keep it looking its best every day.

Daily Cleaning Tips

A soft cloth and warm soapy water are all you need for everyday cleaning. You can also use a pH-balanced cleaner (pH below 10) for added shine.

No sealing necessary! Quartz retains its luster without the need for sealants. Avoid water repellents or wax-based products - they may cause buildup.

Treating Light Stains

- Apply a gentle household cleaner.
- Let it sit for a couple of minutes.
- Wipe clean using a non-scratch pad.
- Rinse with clean water.

Dried-on messes? Carefully use a razor blade or plastic scraper at a 90° angle to remove residue . Clean afterward with warm, soapy water.

Tough Stains? No Problem

If something stronger is needed, try:

- Rubbing alcohol
- Lacquer thinner
- Ammonia
- Mineral spirits

Apply the cleaner, let sit for 10 minutes, then scrub and rinse. Always use gloves and good ventilation when handling these chemicals.

Hard Water Buildup

Mix baking soda and vinegar into a paste. Let it sit for 10 – 20 minutes on the spot, then gently scrub and rinse.

Things to Avoid

To keep your surface in top shape, **do not use:**

Bleach or chlorine-based products

- Oven degreasers
- Strong alkaline cleaners (pH above 10)

Protecting Against Heat

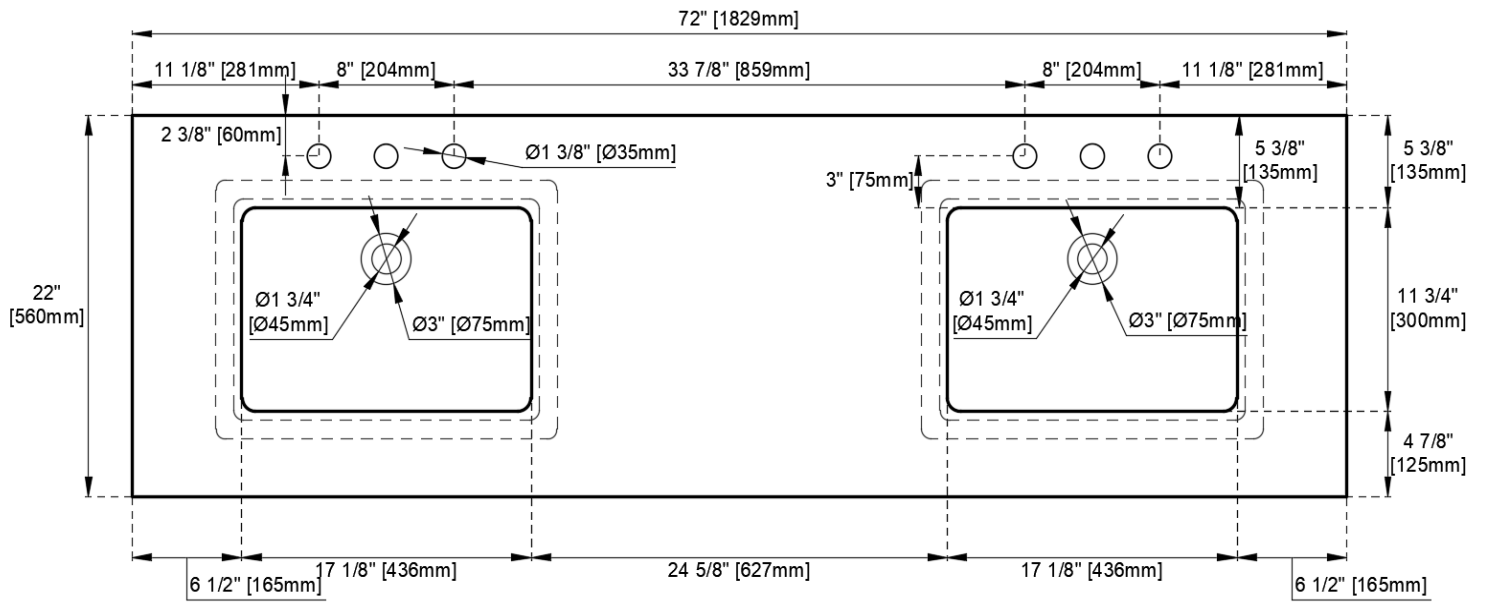
Although quartz resists heat well, sudden or direct exposure to high heat can cause damage. Use trivets or heat pads for hot pots, pans, or styling tools.

Scratch Repairs

Small marks can often be fixed with grout or silica gel. For anything more serious, a professional should be consulted.

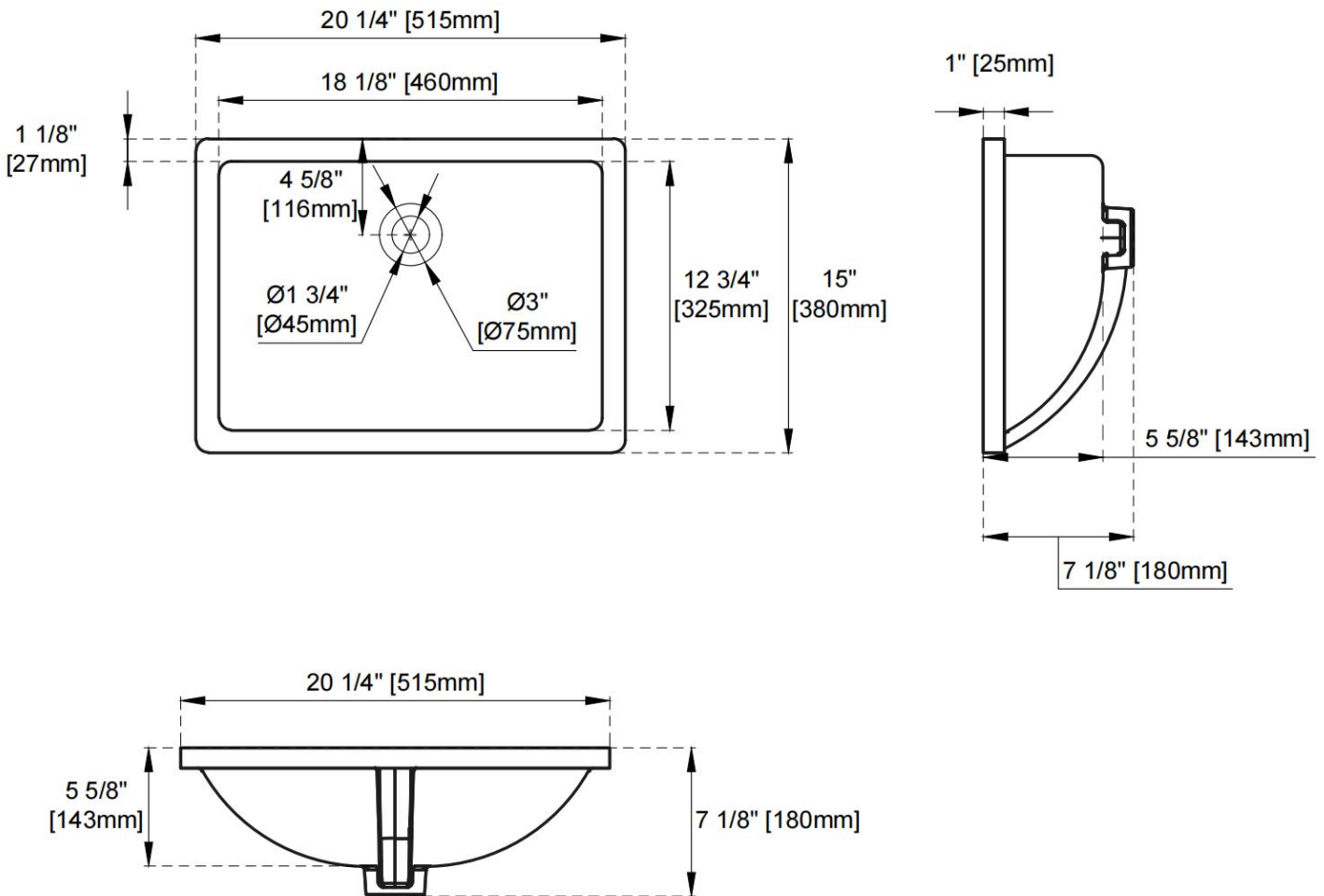
Not Intended for Outdoor Use.

72" Double Countertop



All dimensions are nominal

UNDERMOUNT PORCELAIN SINK



FEATURES:

- Designed to fit with A and B series quartz top
- Sink Material: Porcelain
- Integrated overflow
- Sink shape: Rectangular with sloped sides
- Sink glued on the quartz top
- Sink clips and hardware are attached.
- Drain not included
- Faucet not included
- Overflow cover not included

EXTERNAL DIMENSIONS:

Length: 20-1/4"
Width: 15"
Height: 7-1/8"

INTERNAL BASIN DIMENSIONS:

Basin Length: 18-1/8"
Basin Width: 12-3/4"
Basin Depth: 5-5/8"
Fits Drain Hole Size: 1-3/4"

All dimensions are nominal