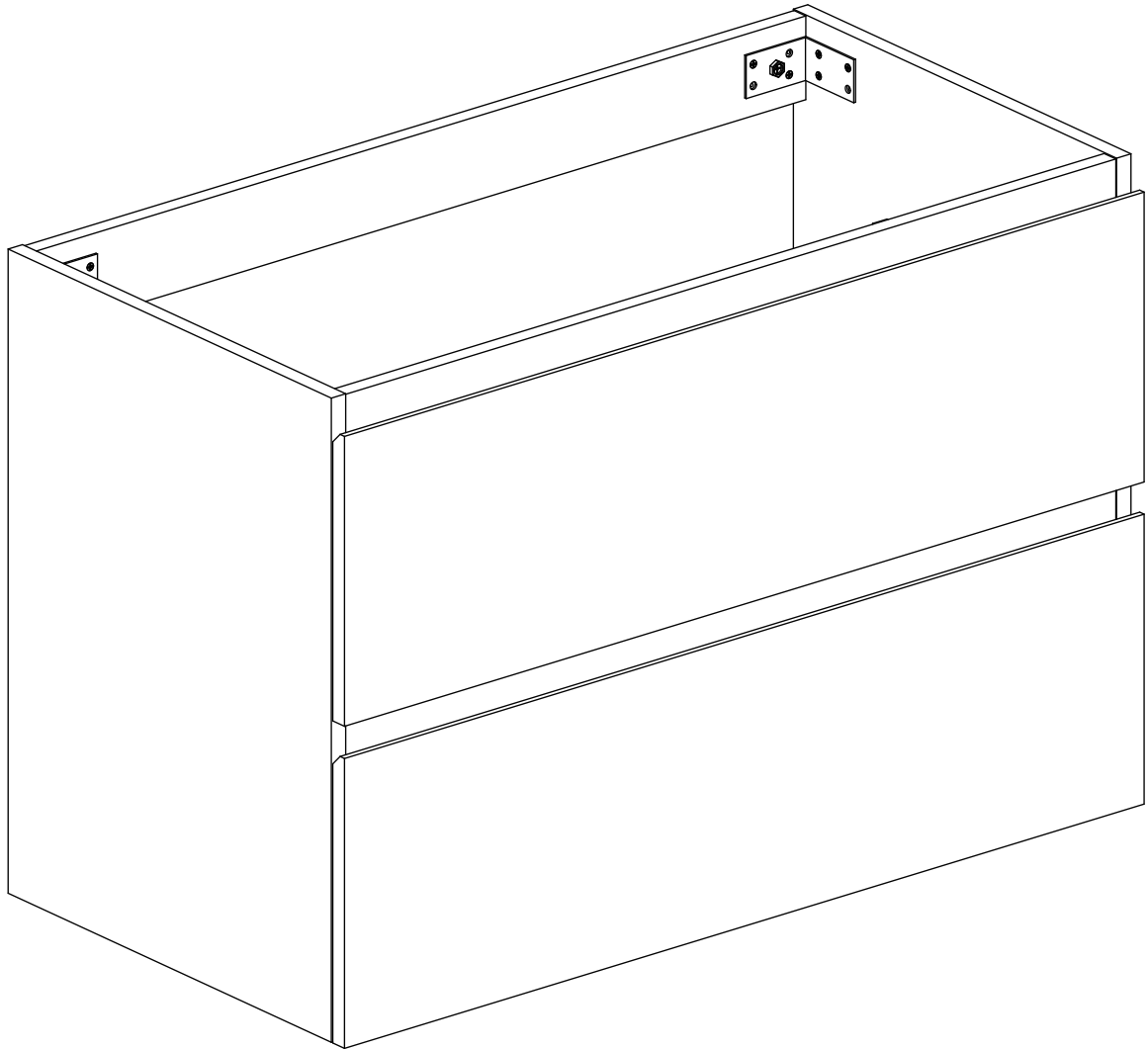



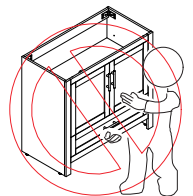
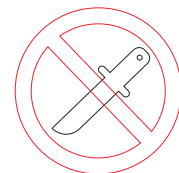
Owner Manual



 **WARNING:** Heavy object. Risk of injury if dropped.


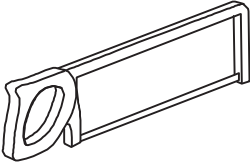
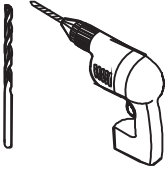
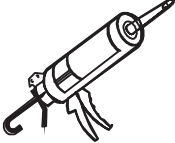
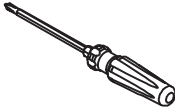
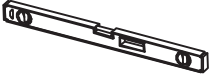
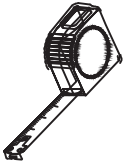



 **CAUTION:** Fragile material. Handle with care to avoid chipping or cracking.

 **NOTICE:** Do not over-tighten screws, as this may crack the cabinet material.



We recommend installation by two or more people.

Tools Required (Required but not included)

		 1/4 inch 5/16 inch 3/8 inch		
Cutting Plier	Hack Saw	Drill	Caulk Gun	Screwdriver
				
Level	Tape Measure	Pencil	Allen Key	Mallet

- Please ensure you have all the necessary tools before starting the installation. Using the wrong tools may damage the product or result in improper installation.

Safety & Pre-Installation

- **Wall Reinforcement:** "For wall-mounted units, ensure the wall is a load-bearing structure. If installing on drywall, internal timber or metal stud reinforcement is mandatory."
- **Check for Utilities:** "Before drilling, verify the location of electrical wires and water pipes behind the wall to avoid damage or injury."
- **Professional Installation:** "It is highly recommended that this product be installed by a licensed plumber or professional contractor."
- **Two-Person Lift:** "Due to the weight and fragility of the vanity/basin, always use two people to lift and move the unit."

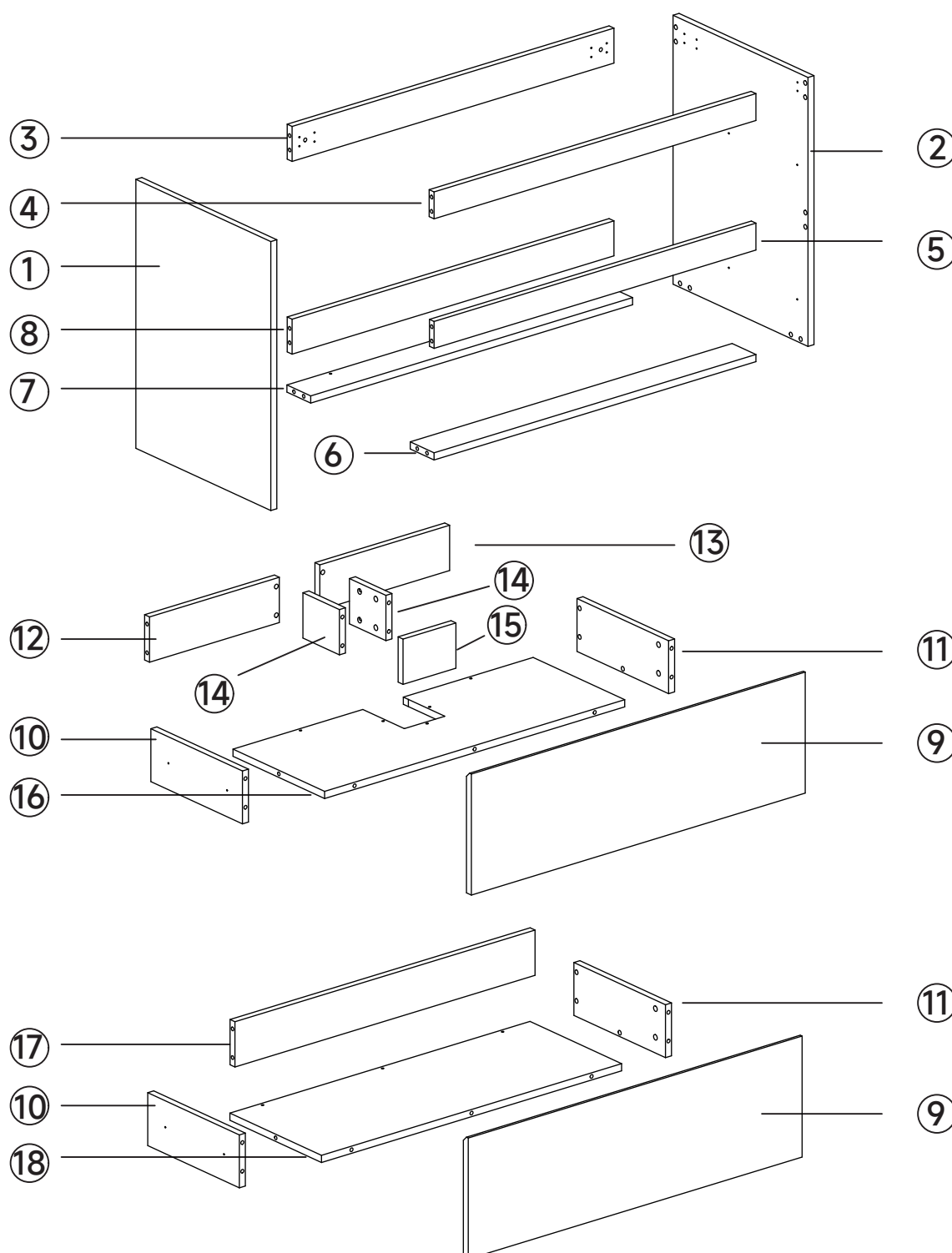
Essential Installation Notes

- **Leveling:** "Ensure the cabinet is perfectly level using a spirit level before securing it to the wall. Uneven installation may cause door misalignment or drainage issues."
- **Silicone Sealing:** "Apply high-quality anti-mold silicone sealant to all edges where the basin meets the cabinet and where the vanity meets the wall."
- **Curing Time:** "Do not use the vanity or allow water contact for at least 24 hours to allow the silicone to fully cure."
- **Hinge Adjustment:** "Cabinet doors and drawer fronts can be fine-tuned via the adjustable hinges to ensure perfect alignment."



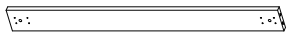
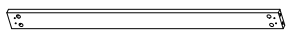
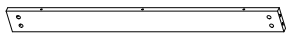
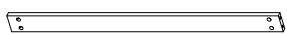

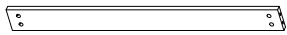

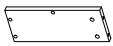
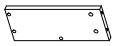
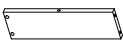
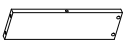



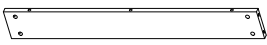


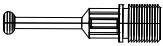

Maintenance & Care

- **Avoid Harsh Chemicals:** "Do not use abrasive cleaners, bleach, or scouring pads on the vanity surface or hardware, as they may damage the finish."
- **Water Exposure:** "While the vanity is moisture-resistant, it is not waterproof. Wipe away any standing water or spills immediately with a dry, soft cloth."
- **Ventilation:** "Maintain adequate ventilation in the bathroom to prevent excessive humidity buildup."

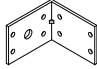

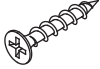
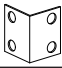
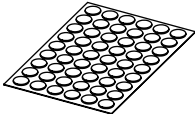
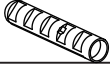
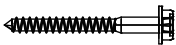
Detailed Diagram of Bathroom Vanity Components



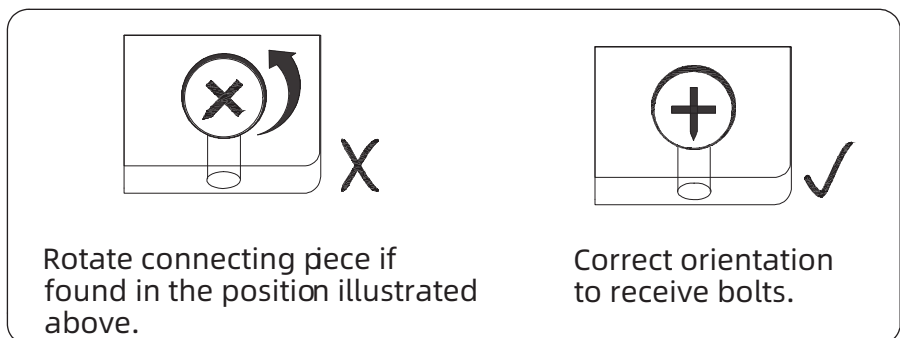
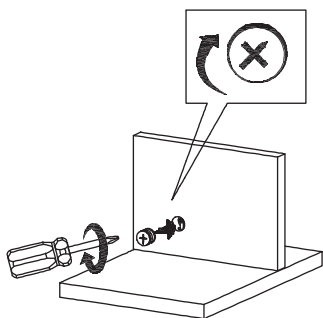
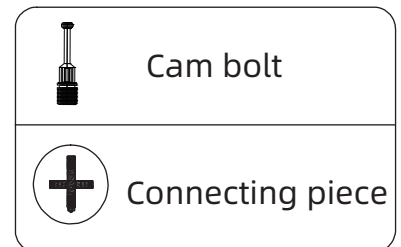
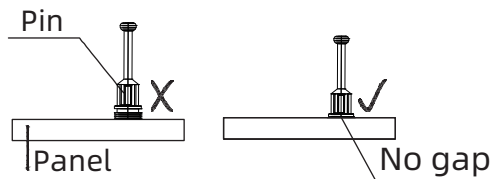
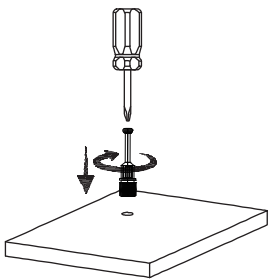
Parts And Hardware Listing

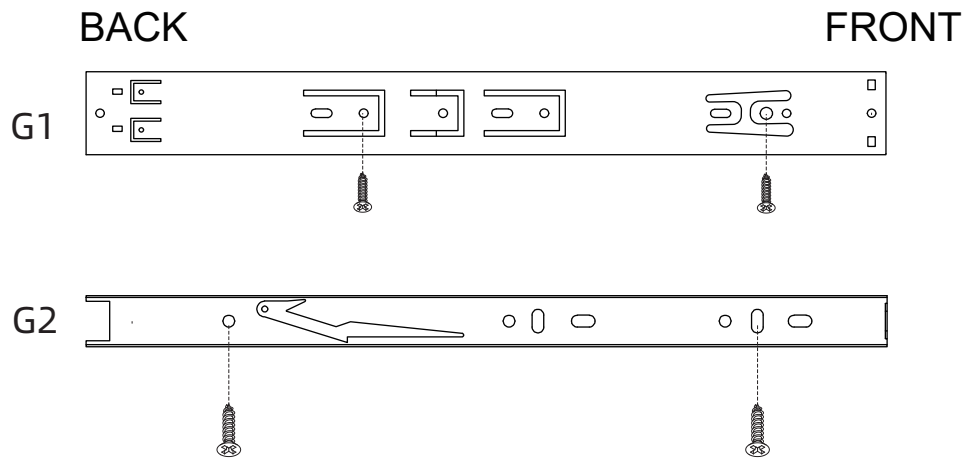
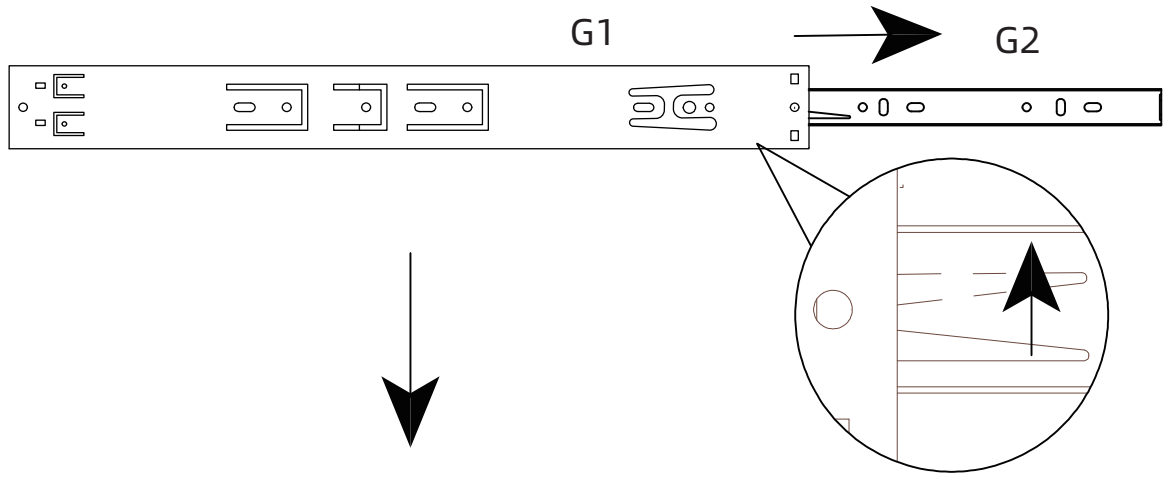
ITEM	NAME	QTY	PICTURE
①	Left Side Panel	1	
②	Right Side Panel	1	
③	Top Pull Bar	1	
④	Pull Forward	1	
⑤	Lower Front Pull	1	
⑥	Front Floor	1	
⑦	Rear Floor	1	
⑧	Pull The Bottom Bar	1	
⑨	Drawer	2	
⑩	Left Drawer	2	
⑪	Right Drawer	2	
⑫	After Left Pull	1	
⑬	Right Pull	1	
⑭	Left Vertical Baffle	2	
⑮	Right Vertical Baffle	1	
⑯	Horizontal Baffle	1	
⑰	Rear Panel	1	
⑱	Pull-out Bottom Plate	1	
Ⓐ	Cam Lock	58	
Ⓑ	Cam Bolt	58	
Ⓒ	Drawer Slide	2	

Parts And Hardware Listing

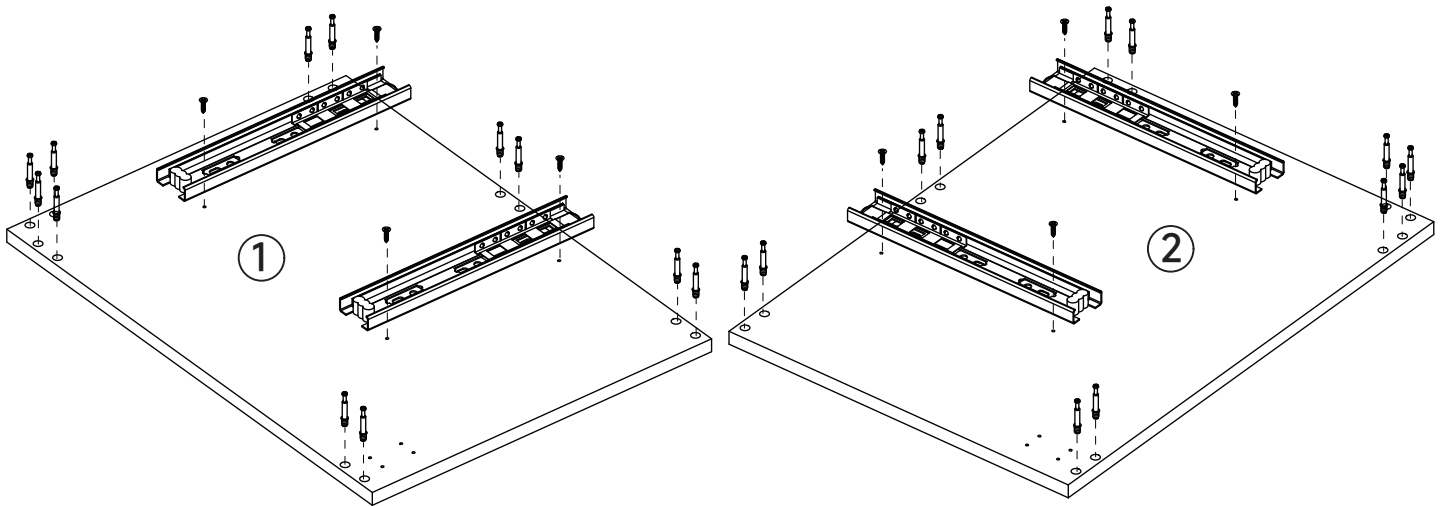
ITEM	NAME	QTY	PICTURE
(H)	Corner Mark 66mm X 66mm X 40mm	2	
(I)	Fixing Screws 4mm X 14mm	40	
(J)	Fixing Screws 4mm X 30mm	11	
(P)	Corner Mark 32mm X 25mm X 1mm	2	
(R)	Sticker	70	
(S)	Hollow Wall Piugs 10mmx60mm	2	
(T)	Fixing Screws 6.2mm X 80mm	2	




CAM BOLT INSTALLATION AS BELOW:



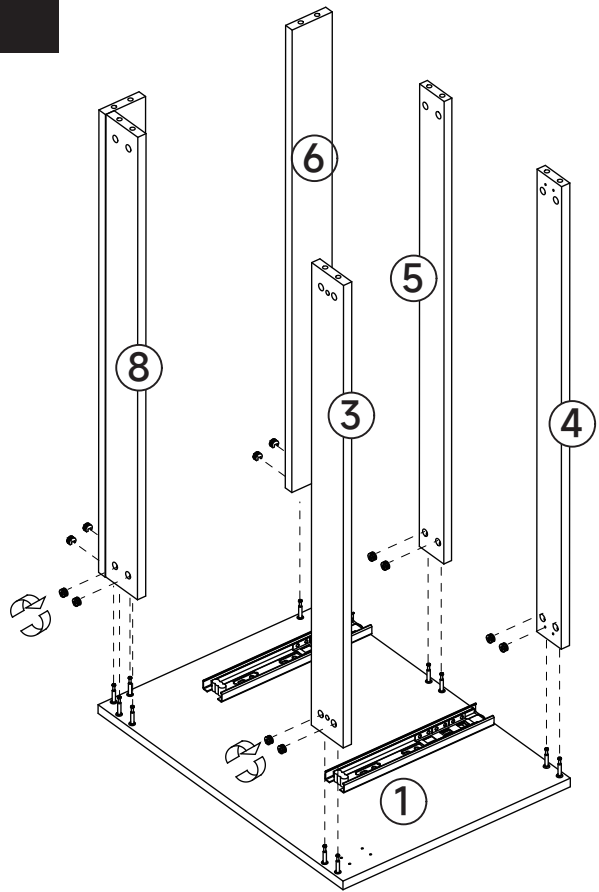
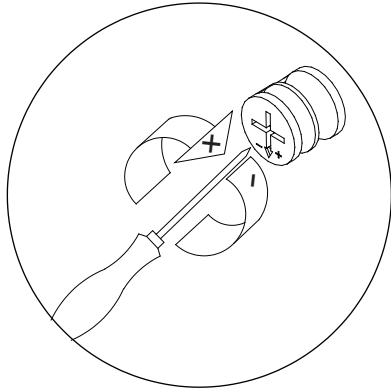


STEP 1



(B)		x24
(G1)		x4
(I)		x8

STEP 2

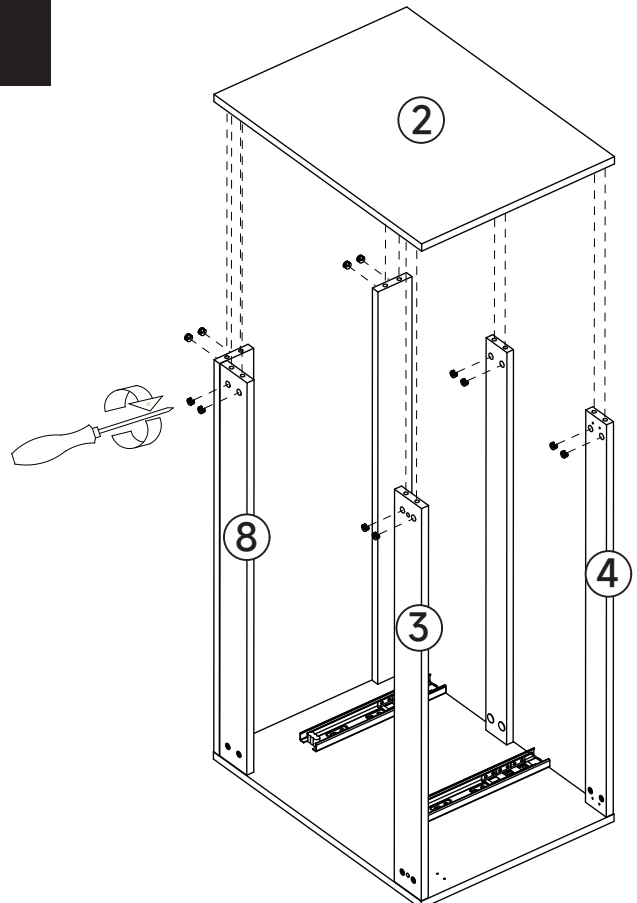
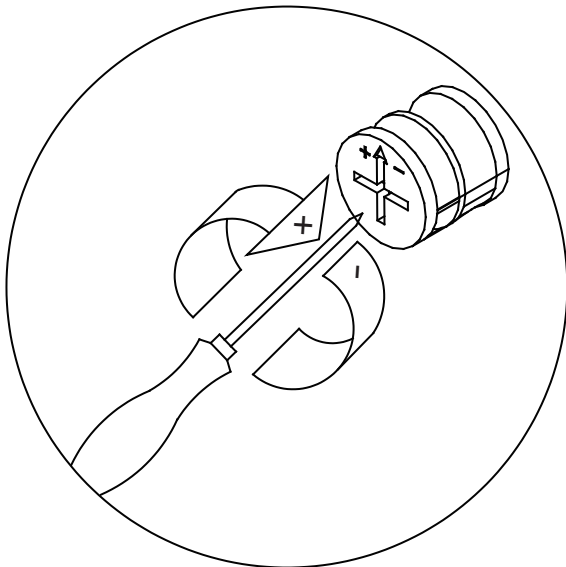


A



x12

STEP 3

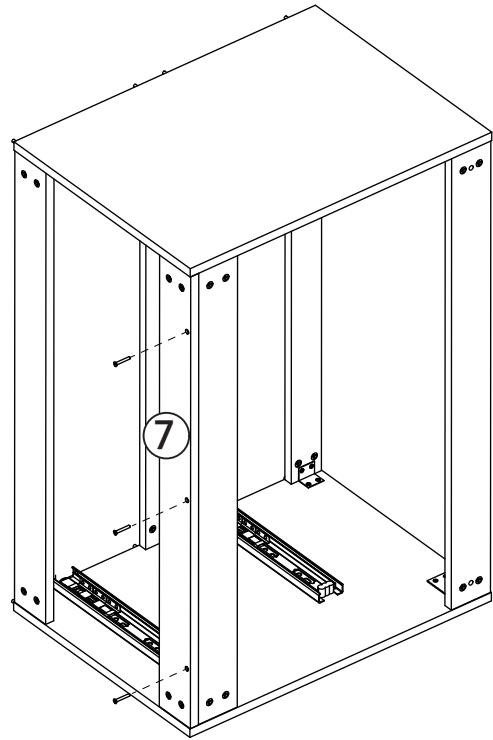


A

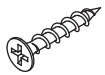


x12

STEP 4

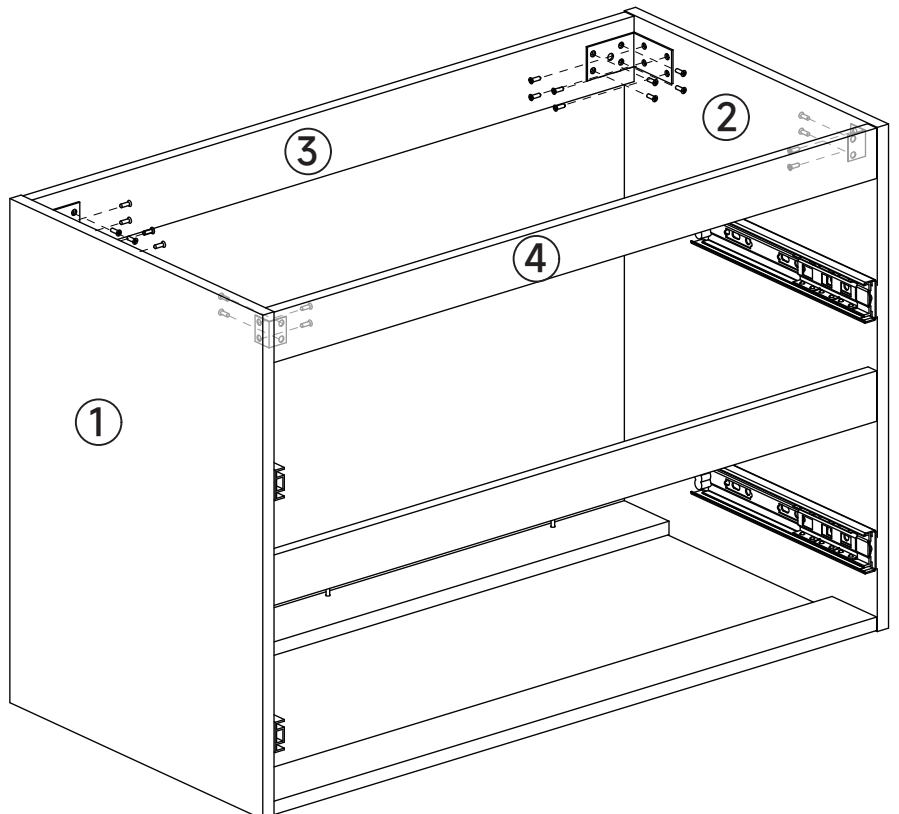


J



x3

STEP 5



H



x2

P



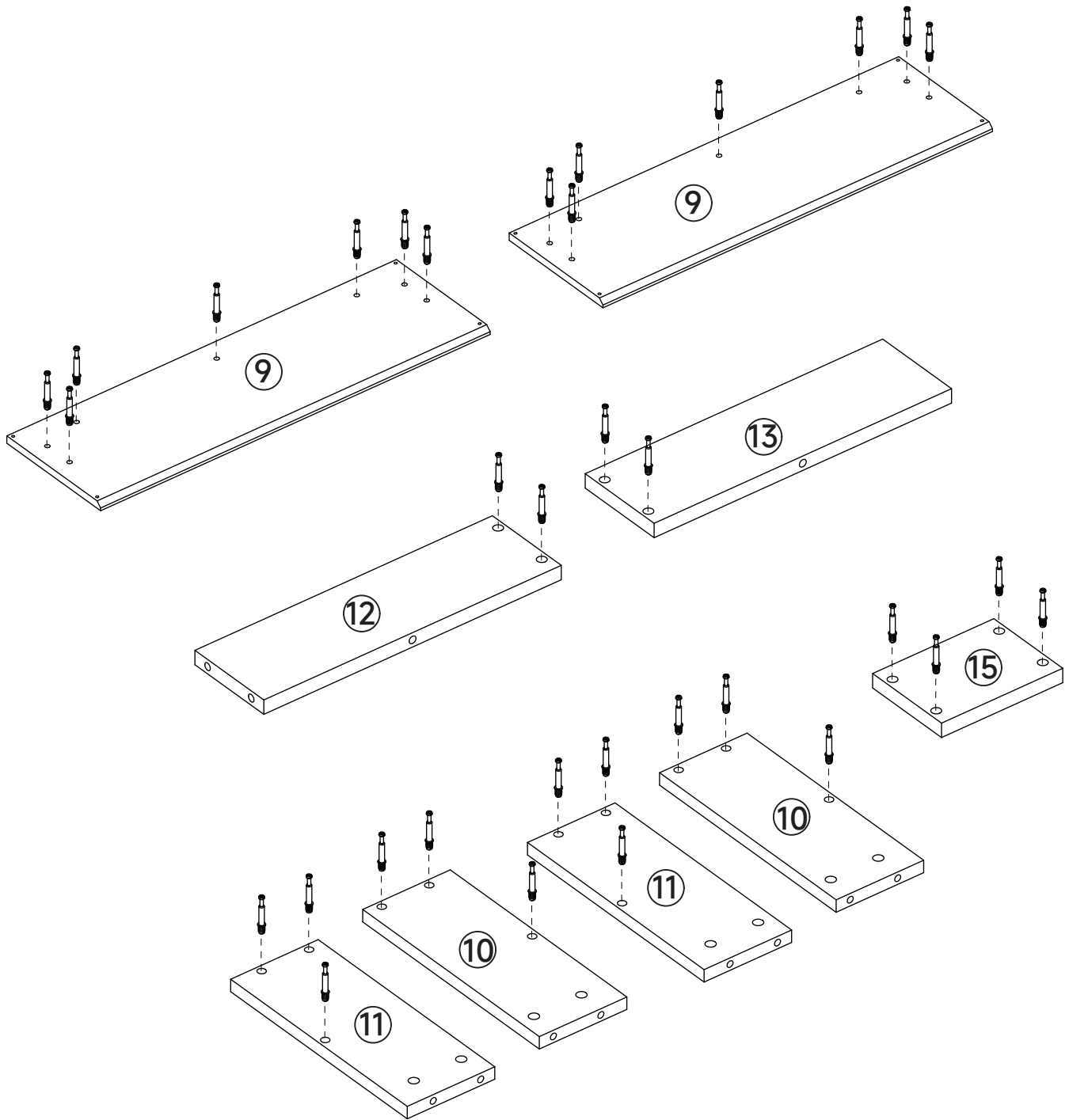
x2

I

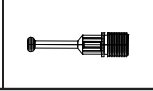


x24

STEP 6

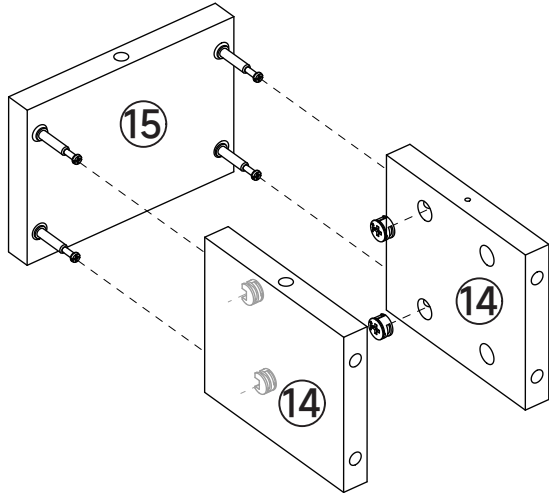


(B)



x34

STEP 7

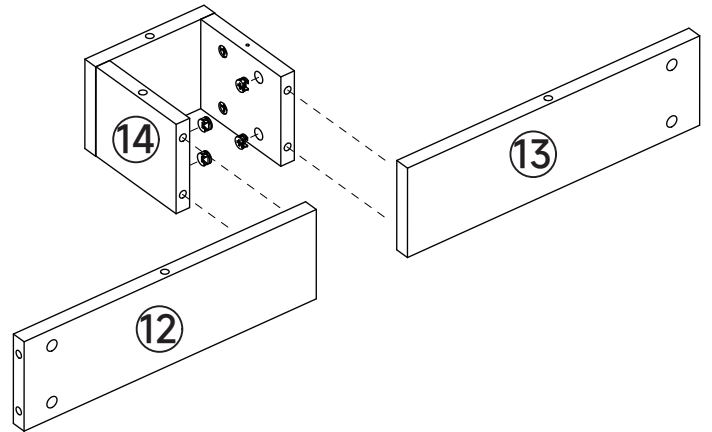


A



x4

STEP 8

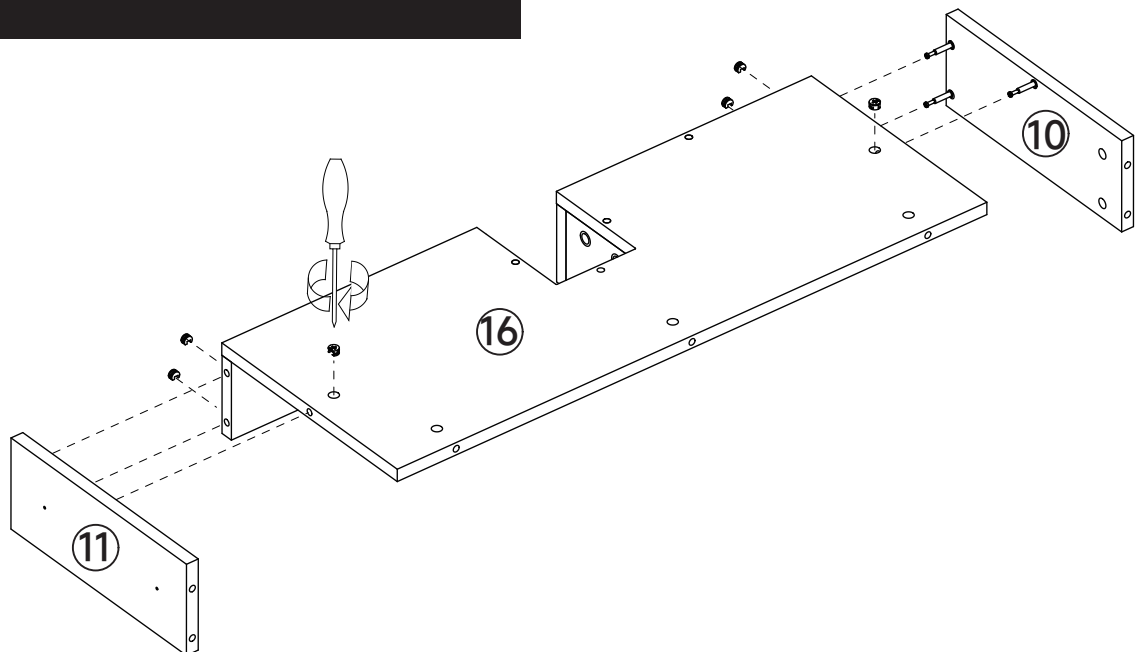


A



x4

STEP 9

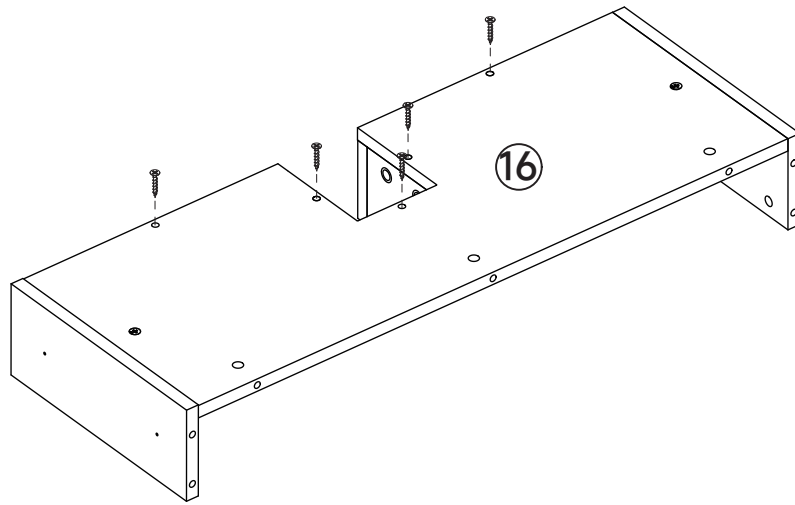


A

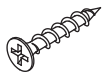


x6

STEP 10

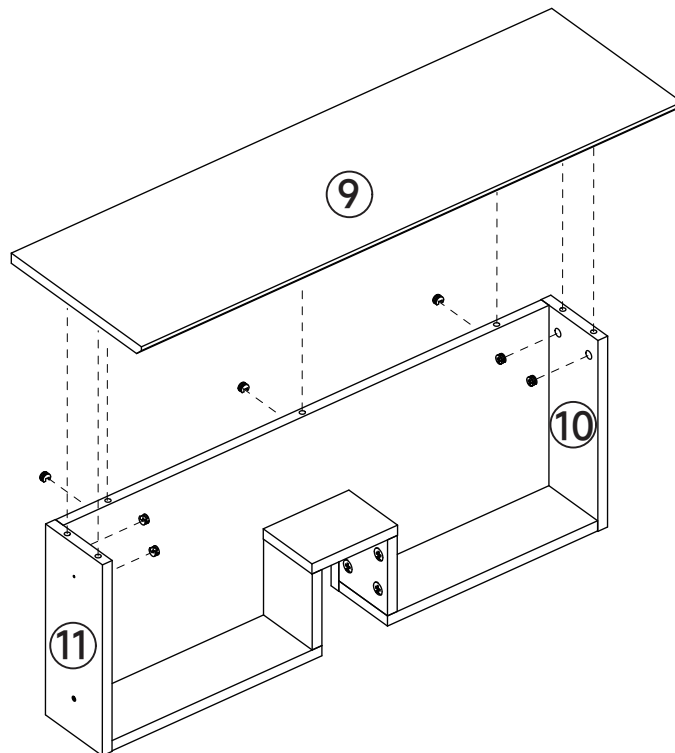


J



x5

STEP 11

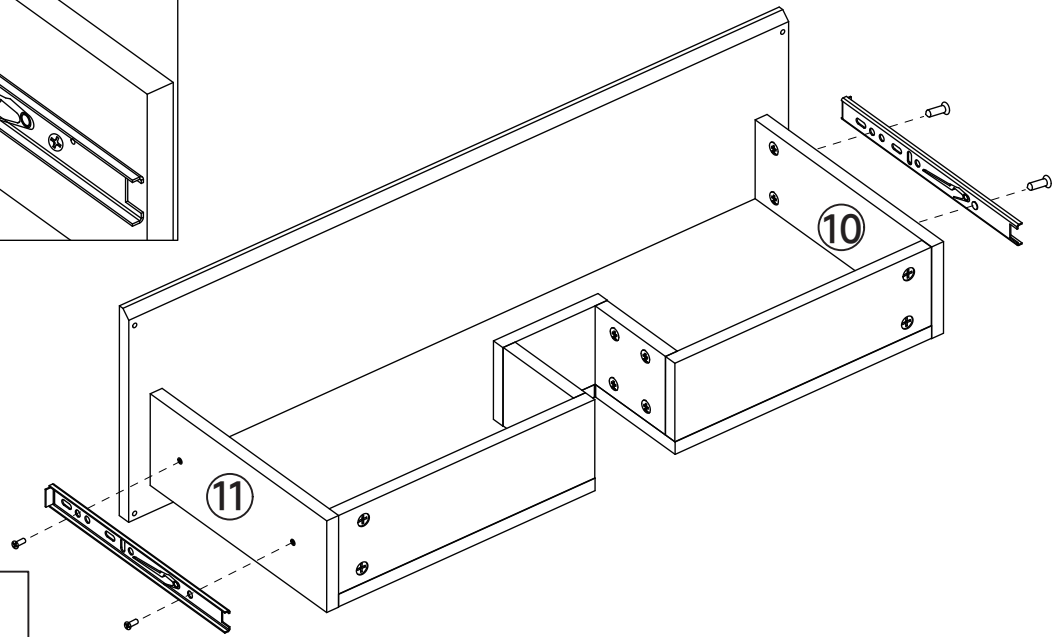
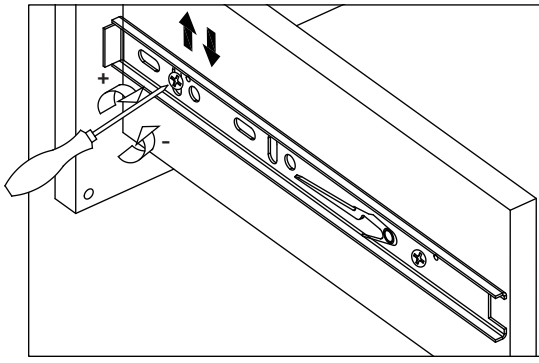




A



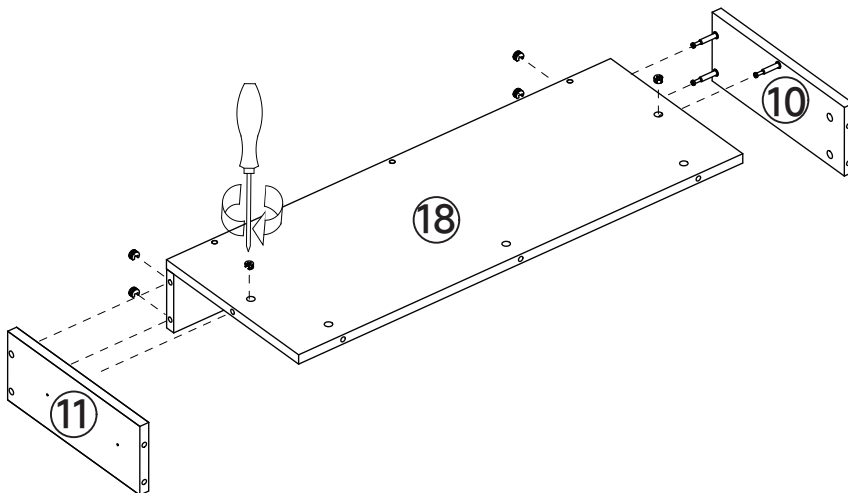
x7


STEP 12



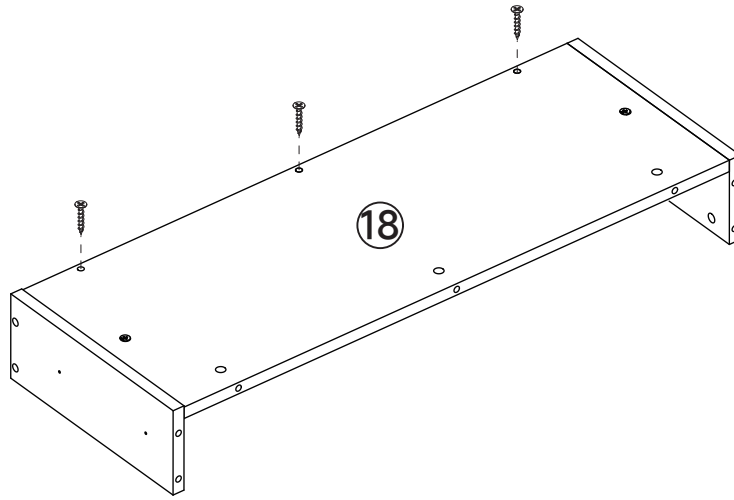
G2		x2
I		x4

STEP 13

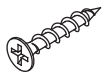


A		x6
---	---	----

STEP 14

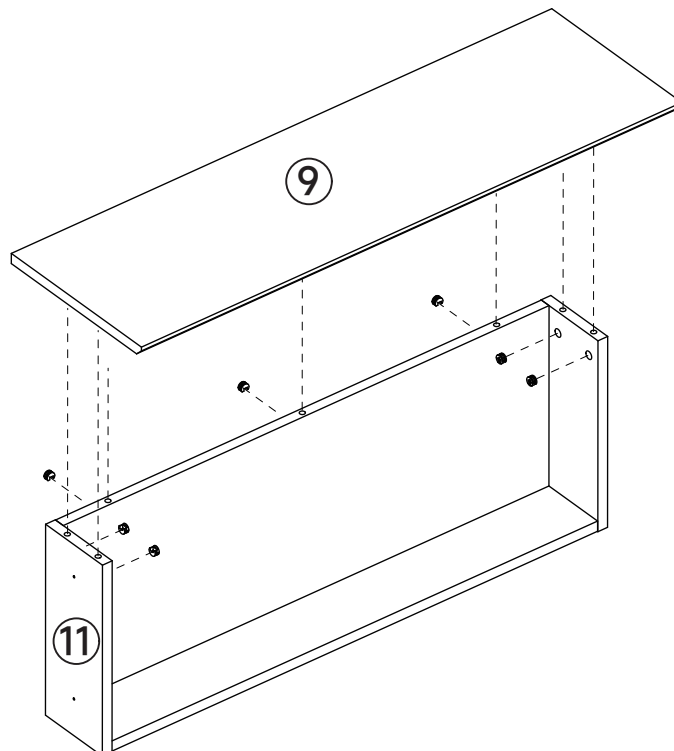


J



x3

STEP 15

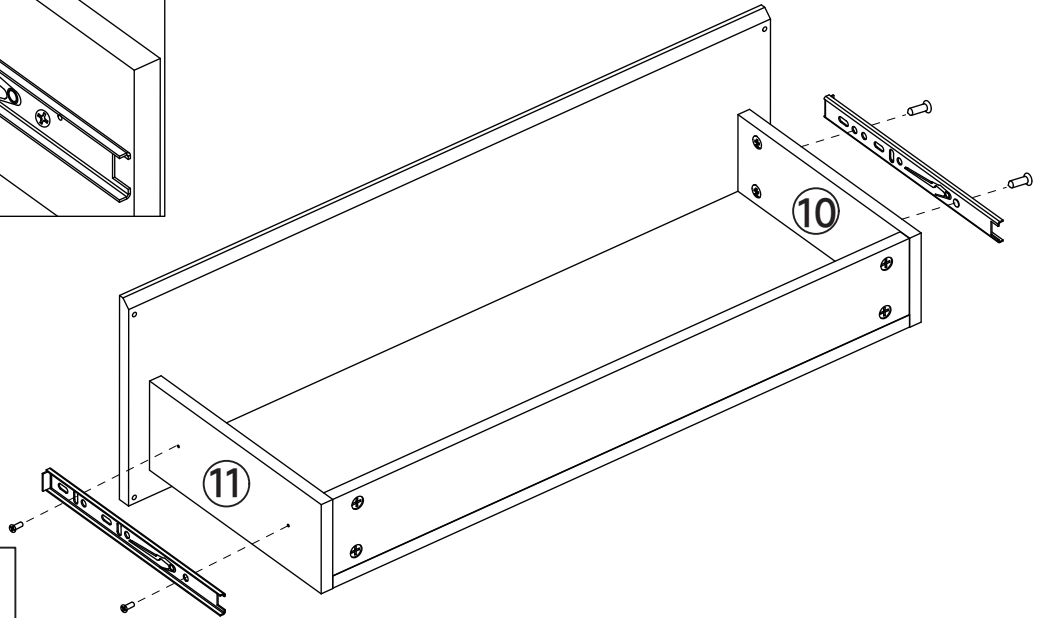
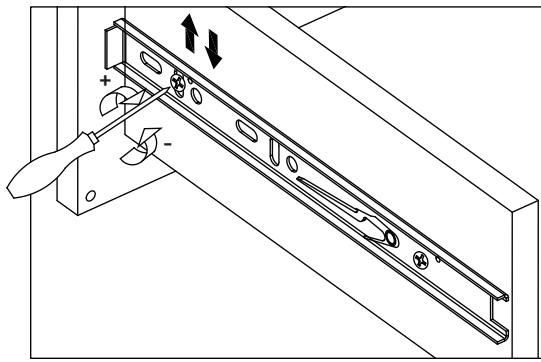




A



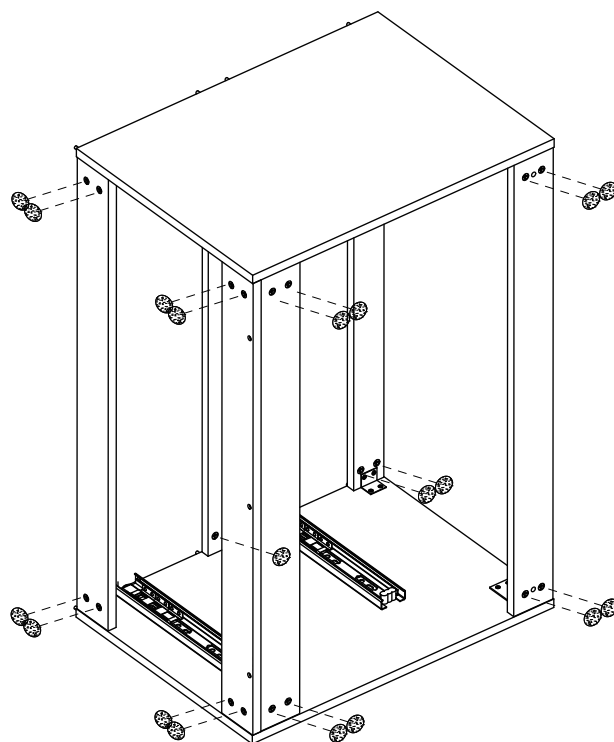
x7

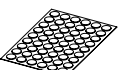
STEP 16



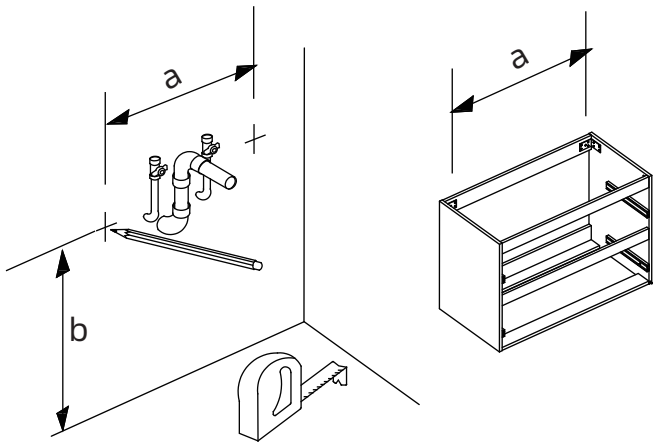
G2		x2
I		x4

STEP 17

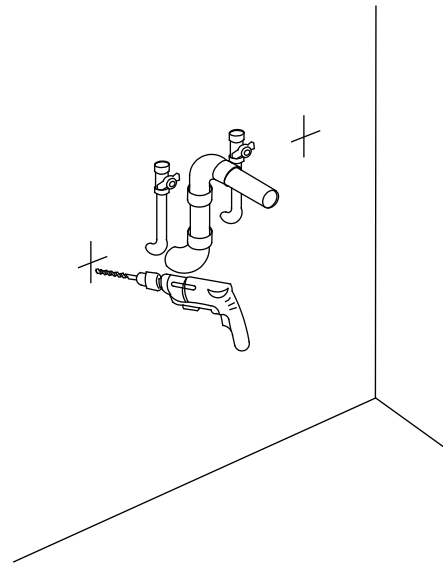


R		x70
---	---	-----

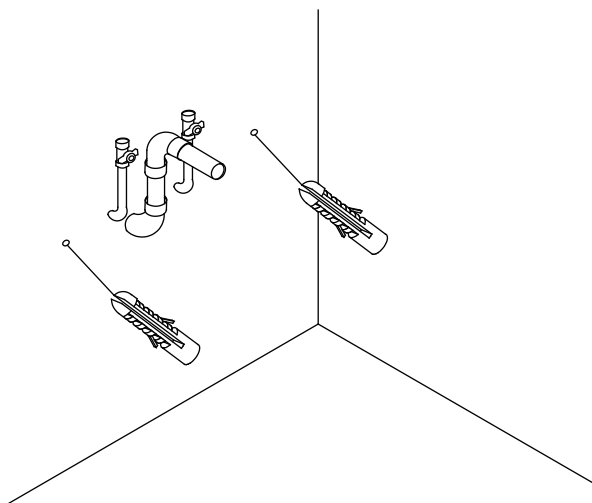
STEP 18



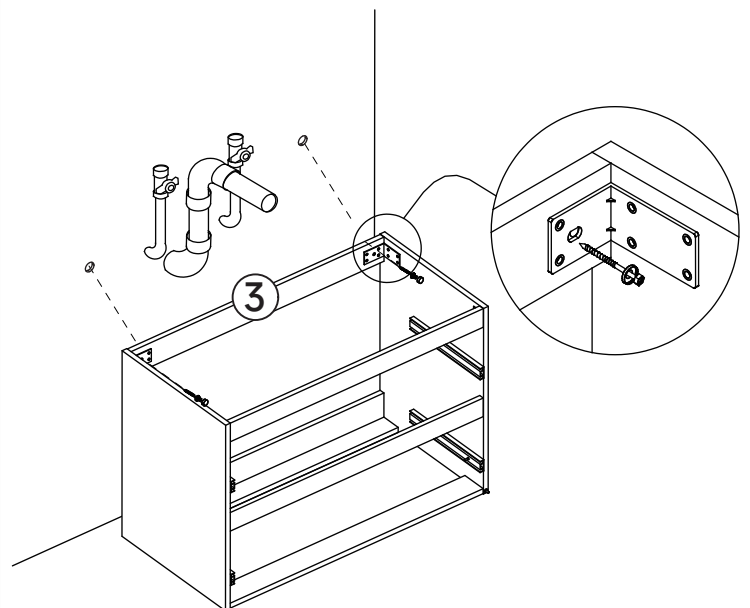
STEP 19



STEP 20



STEP 21



S



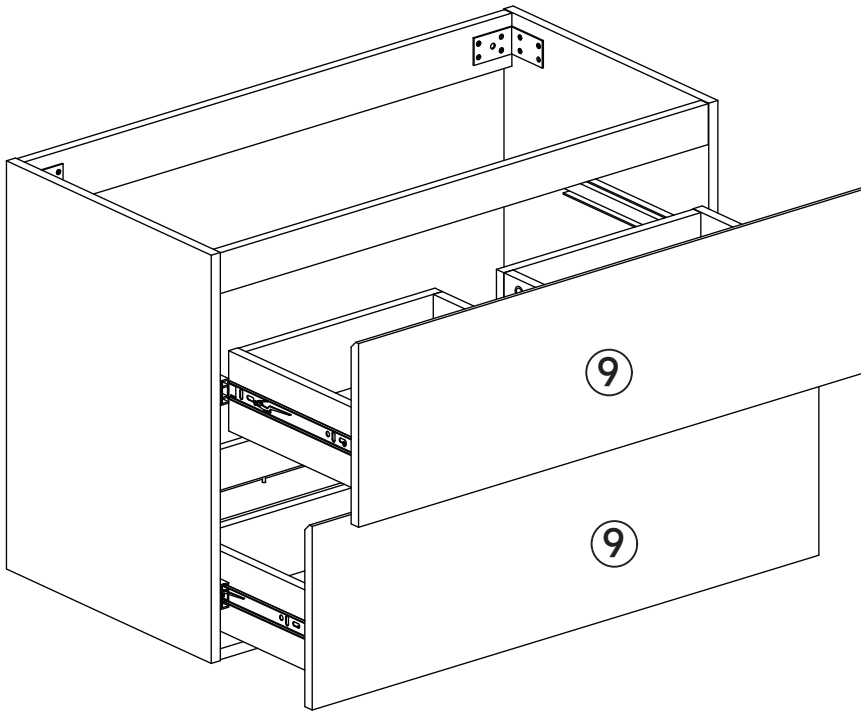
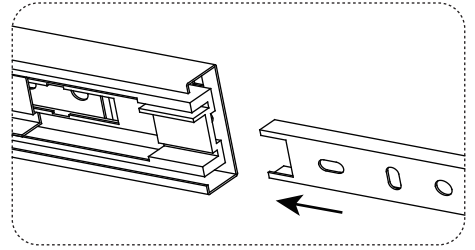
x2

T



x2

STEP 22



STEP 23

