

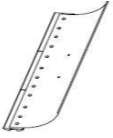

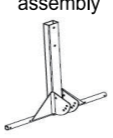





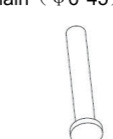


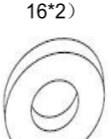



INSTRUCTION MANUAL

SINGLE-BAR WHEELED SNOW SHOVEL



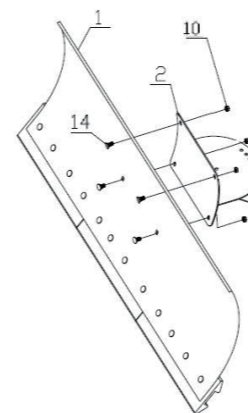
IF YOU PURCHASED THE SINGLE-BAR WHEELED SNOW SHOVEL ONLINE AND HAVE ANY QUESTIONS OR CONCERNS PLEASE CONTACT US WITH EMAIL OR TEXTMAIL:
 yardsightfurniture@outlook.com
 TEXT:+1 323-400-0363

Parts list

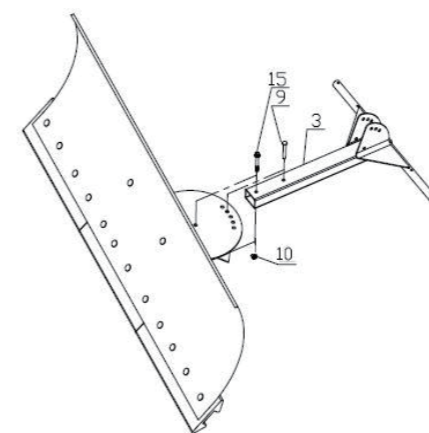
Shovel X1 	Fix adjustor X1 	Wheel base assembly X1 	Wheel X2 	Down handle X1 
Up handle X1 	Plastic nut X1 	Flange screw (M6*45) X1 	Fix pin worn with a chain (φ6*45) X1 	Lock nut (M6) X6 
Cotter pin X4 	Washer (φ30*φ16*2) X4 	Step bolt (M8*25) X1 	Button head screw (M6*15) X4 	Flange screw (M6*40) X1 

Assembling step

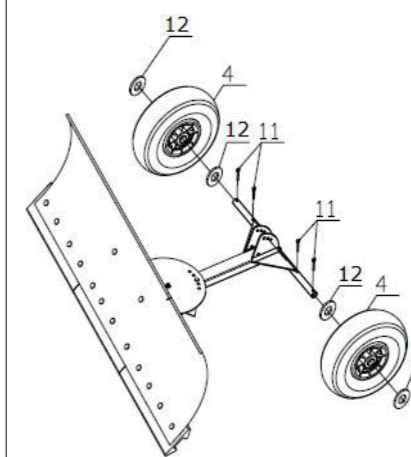
1. Shovel and fix adjustor assembling



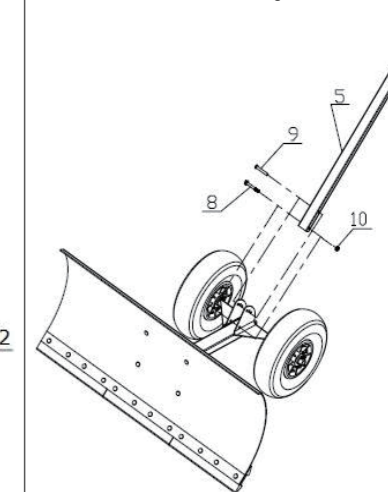
2. Wheel base assembling



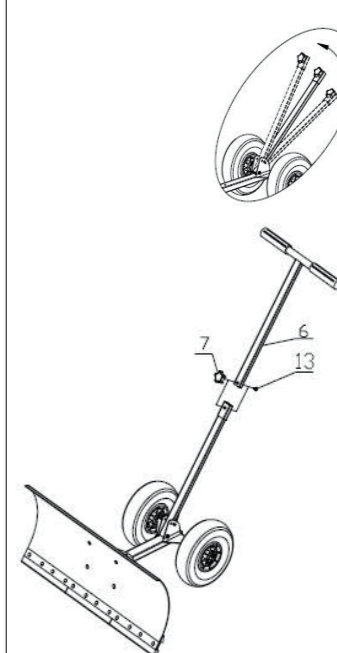
3. Wheel assembling



4. Down handle assembling



5. Up handle assembling/handle height adjust



6. Assembling finish/shovel direction adjust

