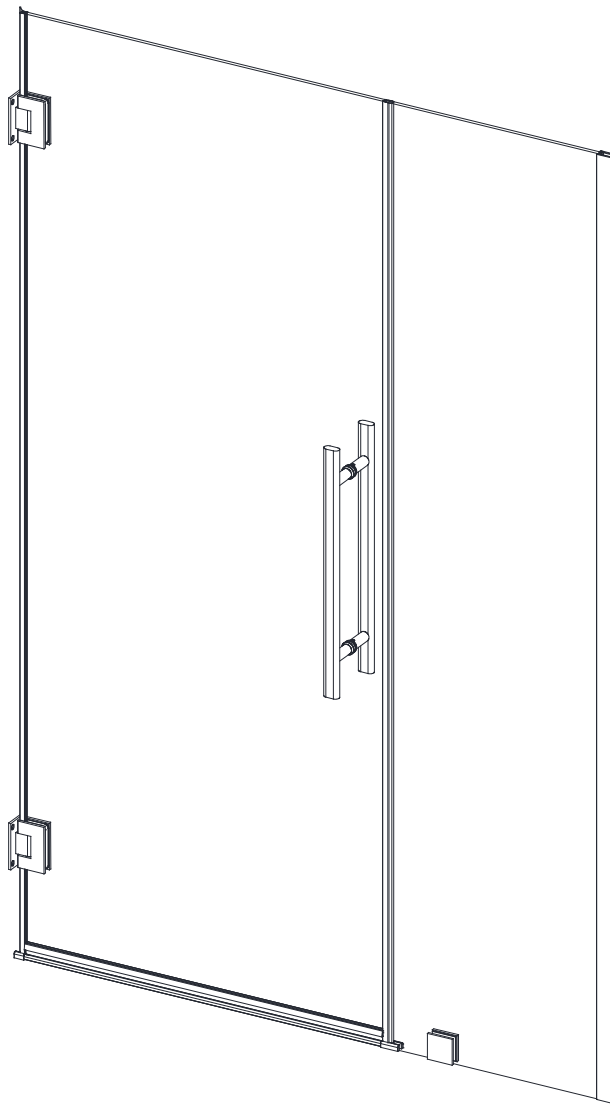


INSTALLATION INSTRUCTIONS

FOR SHOWER DOOR AND BATHTUB DOOR



TMW4872-CH/BN/MB
TMW4872-MB-F

FINISH :

[CH]-Chrome

[BN]-Brushed Nickel

[MB]-Matte Black

**THANK YOU FOR PURCHASING OUR PRODUCTS.
FOR IMMEDIATE HELP WITH ASSEMBLY OR
PRODUCT INFORMATION EMAIL US:**

SCAN HERE

**TO VIEW OUR
INSTALLATION VIDEO**



ServiceSoutien@outlook.com

Please offer your order ID and the product model number

Our staff is ready to provide assistance M-F 8:00 AM to 5:00 PM PST



◆ General Information

Inspect the product immediately upon receipt for transit damage, missing packs/parts or manufacturing fault. Damage reported later will not be accepted. Handle the product with care avoiding knocks and shock loading to all sides and edges of the glass.

◆ Notes: Safety glass can not be re-worked

Read these instructions carefully before start of installation.

Special care should be taken when drilling walls to avoid hidden pipes or electrical cables.

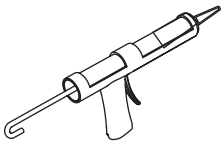
Note: This product is heavy and may require two people to install.

◆ Aftercare instructions

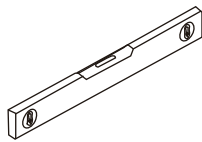
After use, your shower should be cleaned with soap and water. This is particularly important in hard water districts where insoluble lime salts maybe deposited and allowed to build up. Cleaners of a gritty or abrasive nature should not be used. Care should be taken to avoid contact with strong chemicals, they can be used but with caution, if in doubt contact the manufacturer of the cleaner in question.

Keep these instructions for aftercare and customer service details.

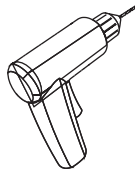
Tools Required



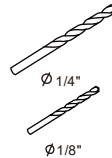
Silicone



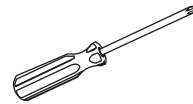
Level



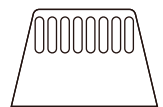
Drill



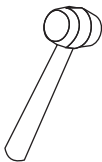
Drill Bit



Screwdriver
(Phillips)



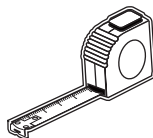
Sealant
Finishing Tool



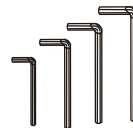
Mallet



Pencil



Tape Measurer



Allen Wrenches



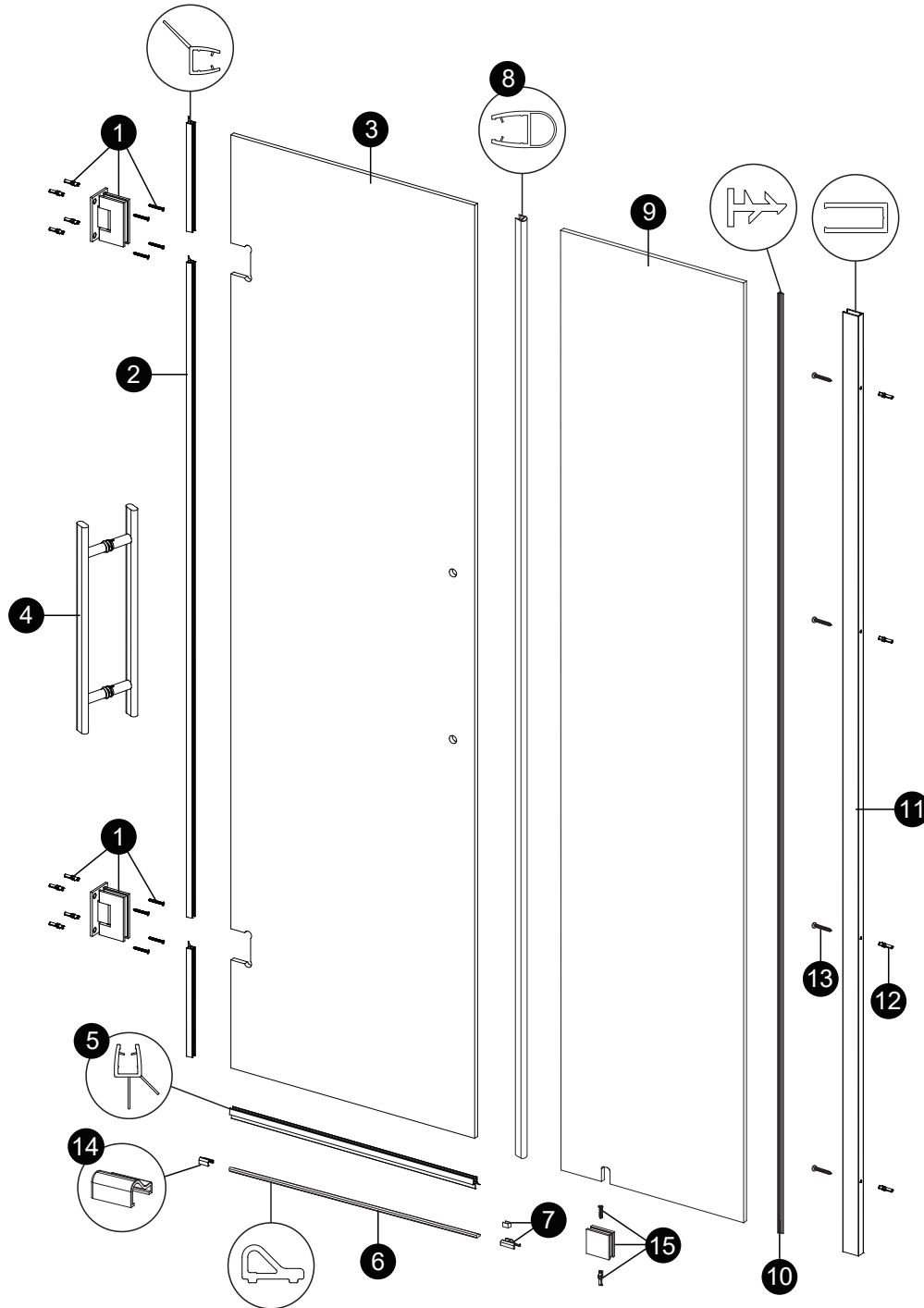
Painters
Tape

Tips: Measure the finished opening before proceeding with the installation to be sure that the correct model size has been ordered.

Note: These instructions will show the installation of the shower door. Please follow the same steps for the installation of the tub door.



PARTS LIST



PACKING LIST

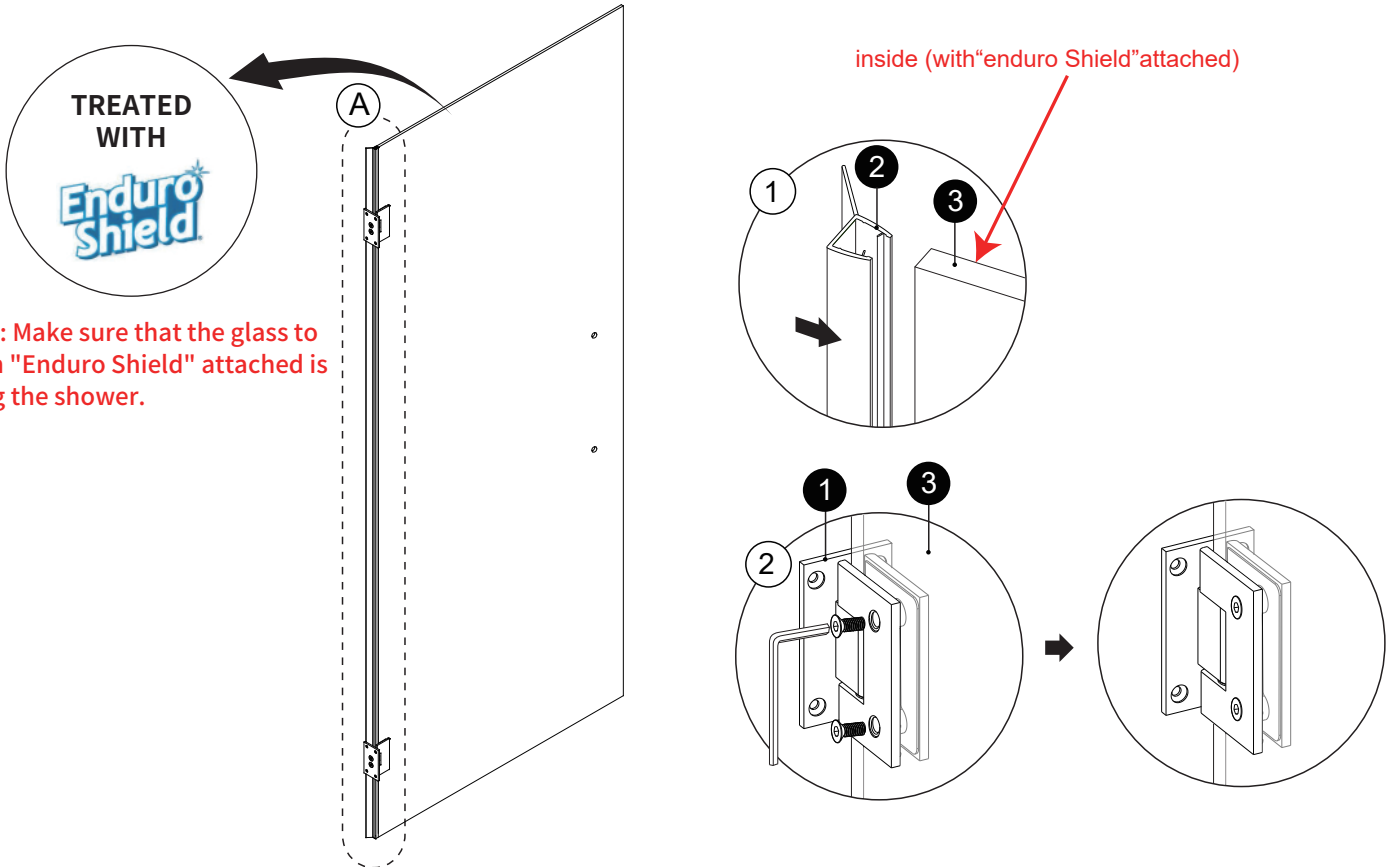


Keep small parts away from children

PART #	DESCRIPTION	Q'TY	PART #	DESCRIPTION	Q'TY
1	Hinges x2	2set	9	Fixed Panel	1pc
	Wall Plug x8		10	Gasket-D	1pc
	Screws ST5x1 9/16" x8		11	Wall Jamb	1pc
2	Gasket A	3pcs	12	Wall Plugs	4pcs
3	Door Panel	1pc	13	Countersunk Screws ST4x1 3/8"	4pcs
4	Handle	1pc	14	Drip Rail Cap(L/R)	1set
5	Gasket-B	1pc	15	Bottom Bracket x 1	1set
6	Drip Rail	1pc		Wall Plug x 1	
7	180° Clamps(L/R)	1set		Screws x 1	
8	Gasket-C	1pc			

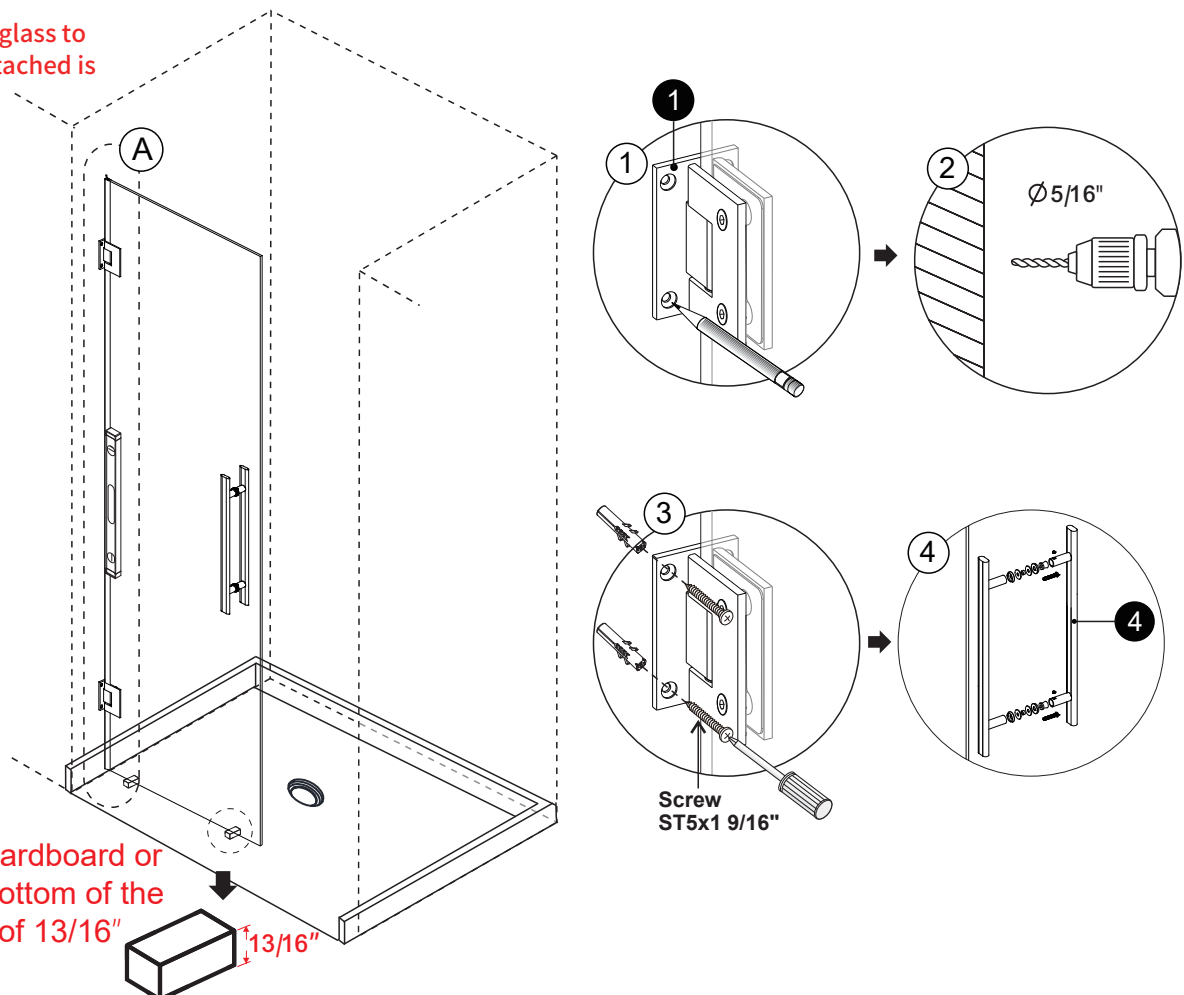
INSTALLATION STEPS

STEP 1 Attach Gasket-A and Hinges to Door Panel

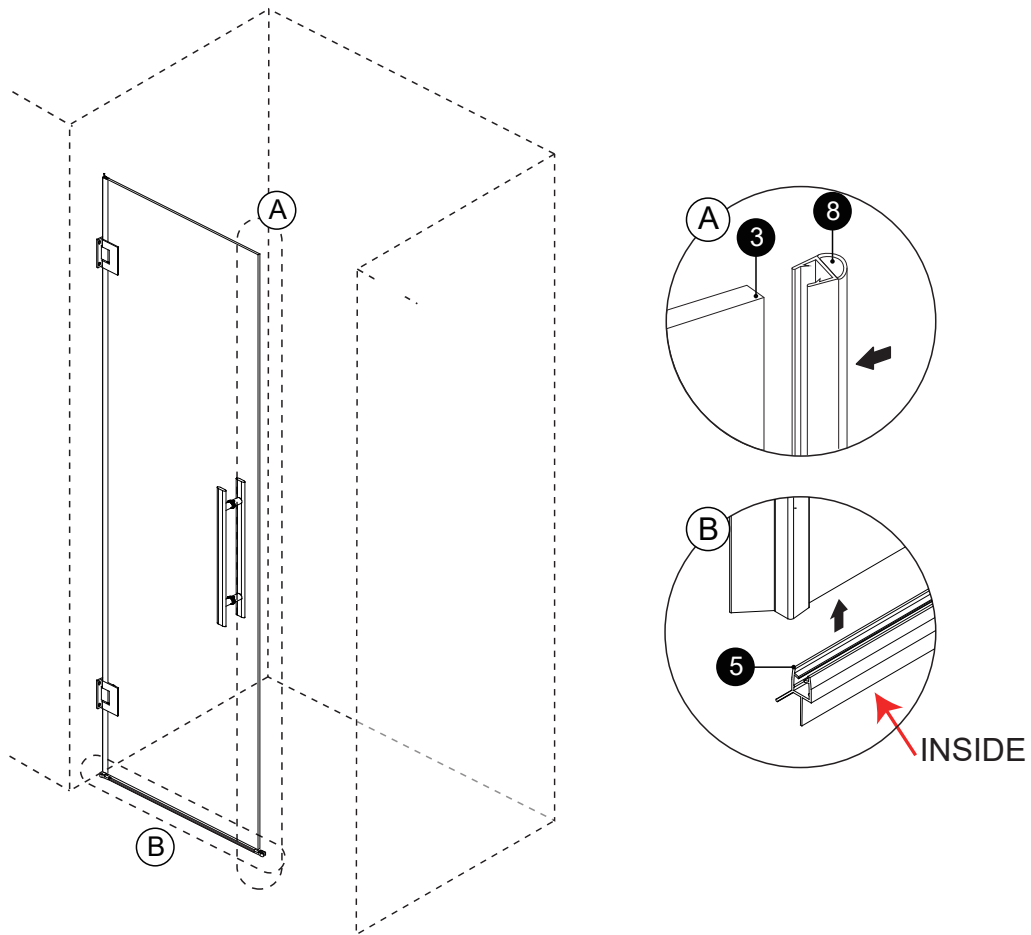


STEP 2

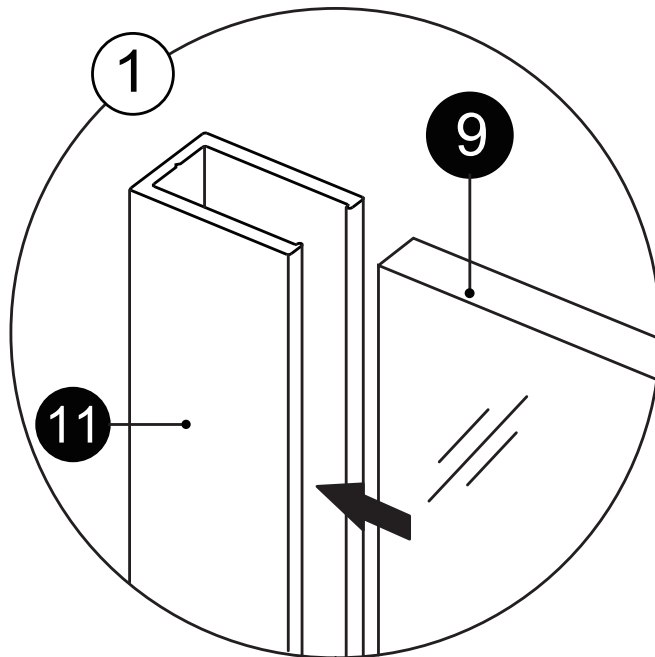
NOTE: Make sure that the glass to which "Enduro Shield" attached is facing the shower.



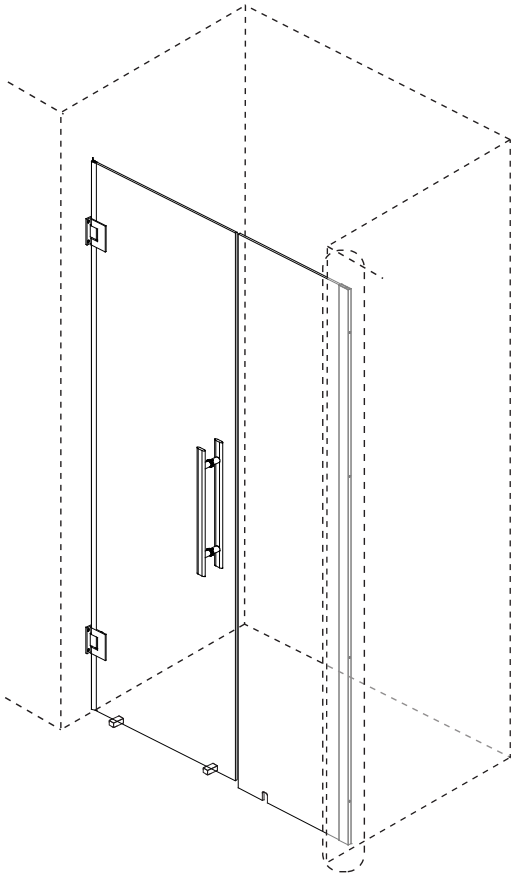
STEP 3 Attach Gasket-B and Gasket-C



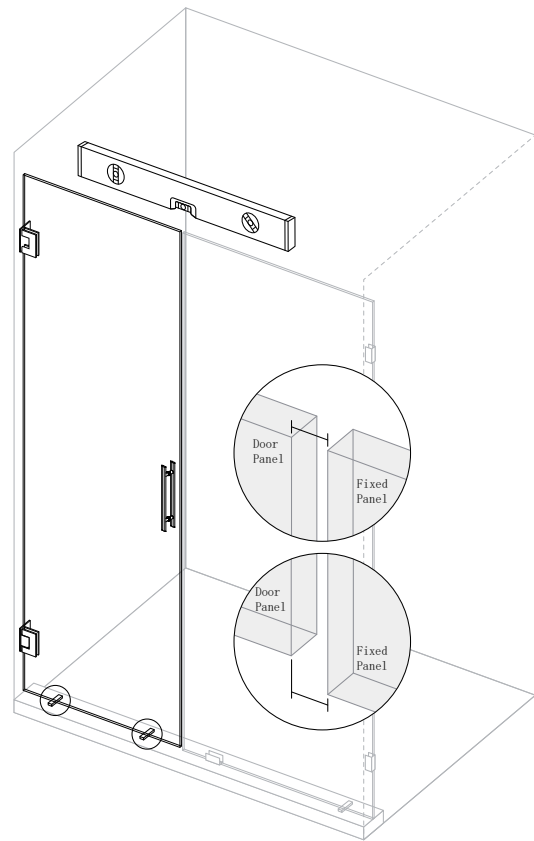
STEP 4 Mark the Fixed Panel Location



1. Install Fixed Panel (#9) to the wall jamb (#11).

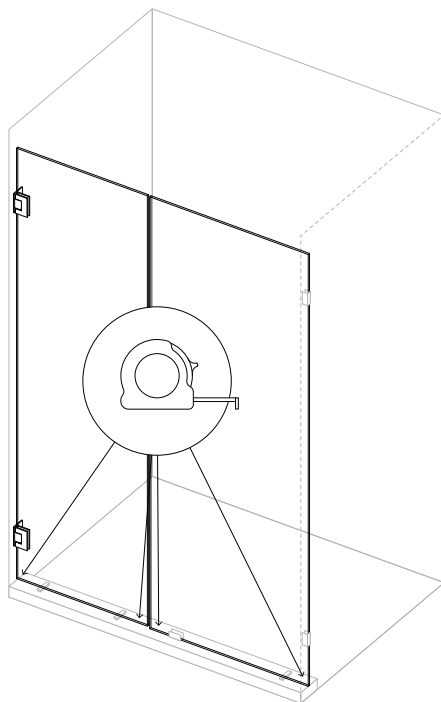


2. Set the Fixed Panel with wall jamb in place.



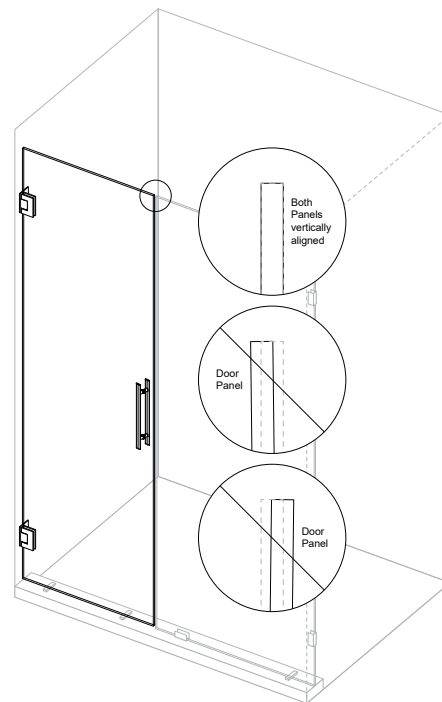
3. Level Door Panel and Fixed Panel.

Ensure the tops of the Fixed and Door Panel are level and the vertical gap between the Door and Fixed Panel is even.



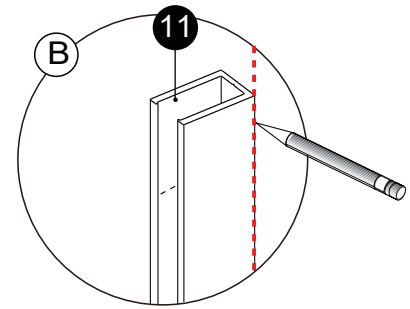
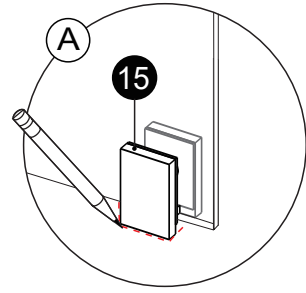
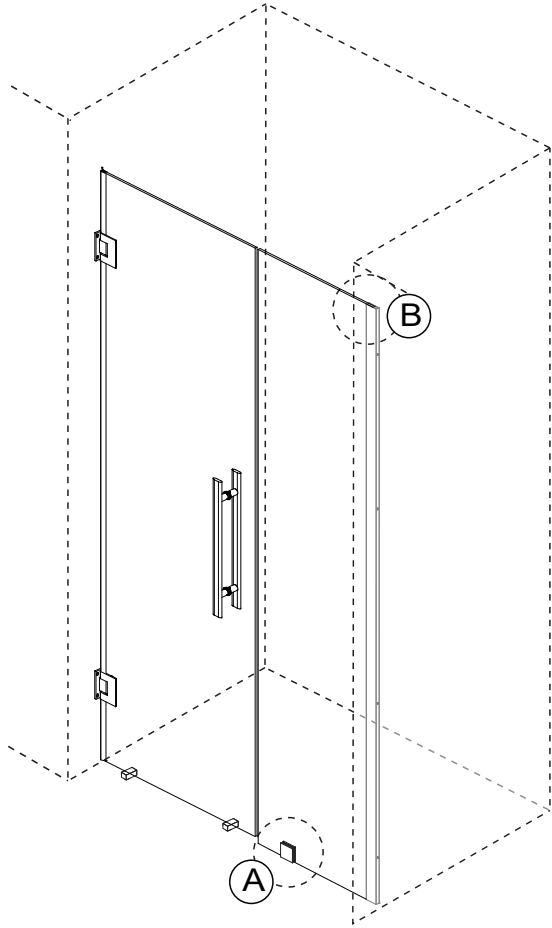
4. Check that Panels lines up evenly with threshold.

if the shower glass is sitting on top of a threshold, make sure the distance from the edge of the glass to the edge of the threshold is even across the entire front of the Fixed and Door Panel.

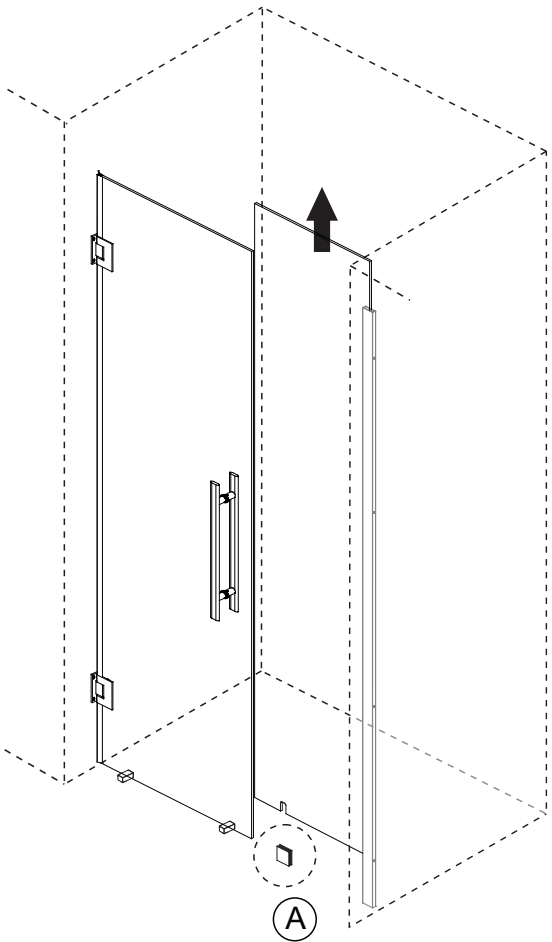


5. Make sure Fixed Panel and Door Panel are aligned vertically.

Before marking Fixed Panel location for installation, it is imperative that the Door Panel is aligned vertically with the already installed Fixed Panel. If the Door Panel is not aligned properly, it will not close properly.

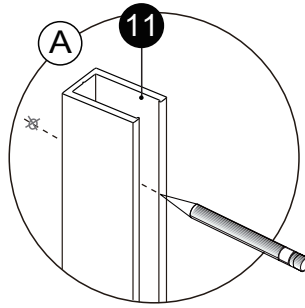
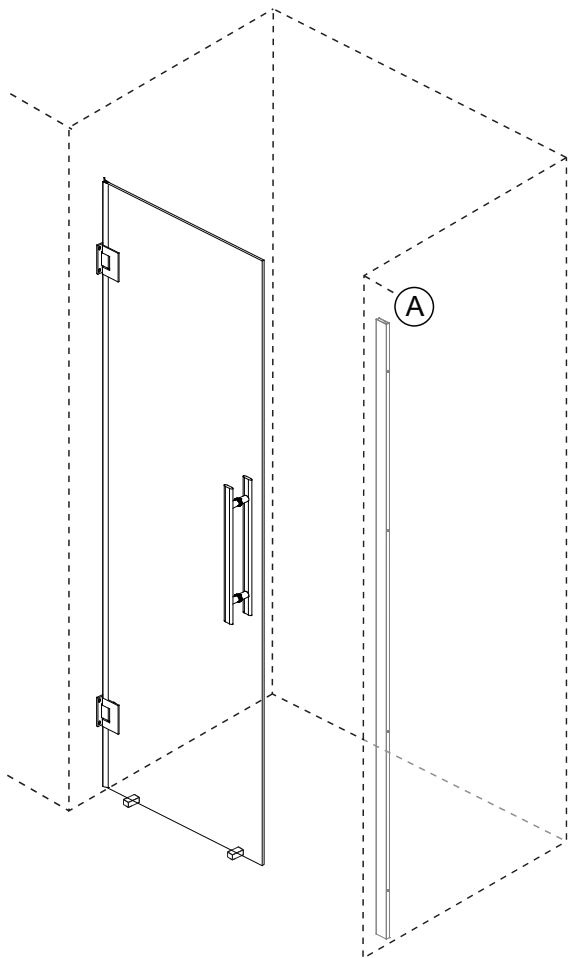


6. Mark and location the Wall Jamb (#11) and Bottom Bracket(#15)

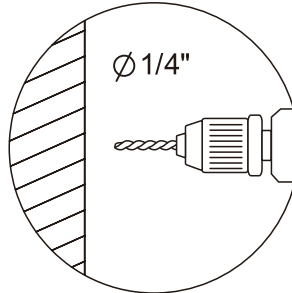


7. Remove the Fixed Panel.

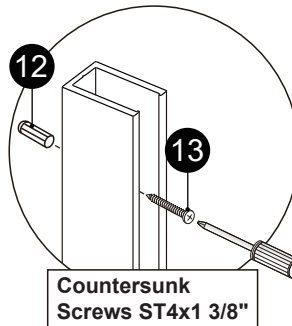
STEP 5 Install Wall Jamb and Bottom Bracket



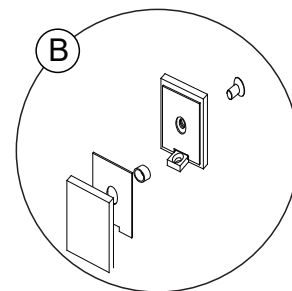
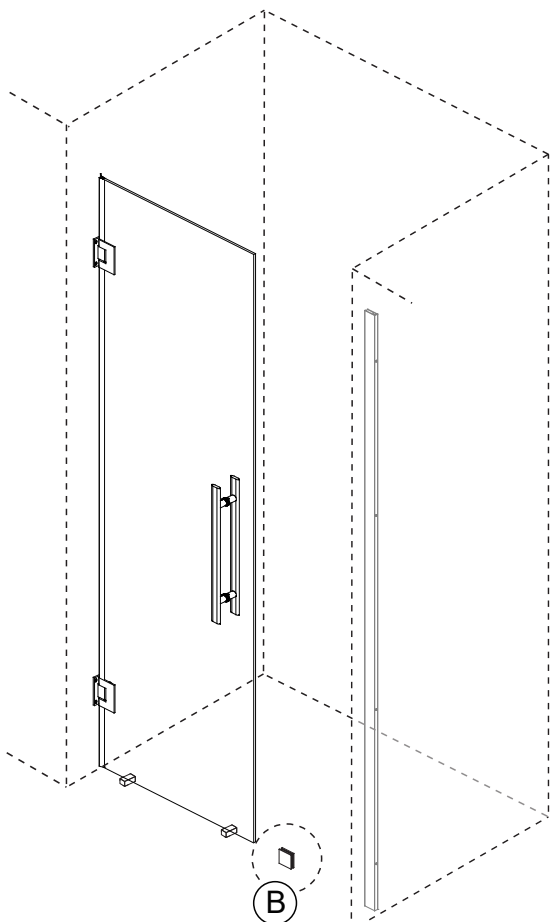
1. Confirm the **Wall Jamb (#11)** is plumb with a level before marking the location of the holes for drilling.



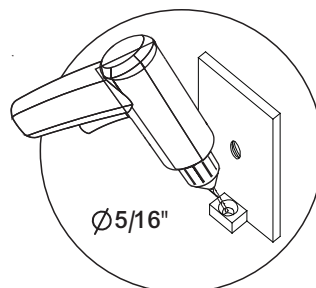
2. Use $\text{Ø}1/4''$ drill bit for drilling needed holes.



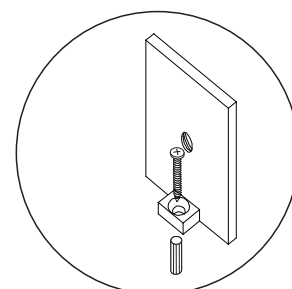
3. Mounting the wall jamb with the **wall plug (#12)** and **screw ST4x1 3/8" (#13)**.



4. Dis-assemble the Bottom Bracket Set.

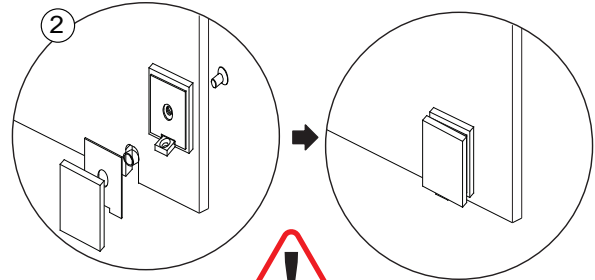
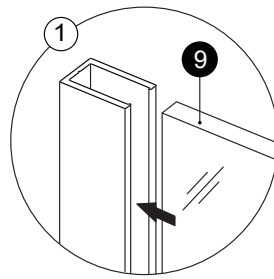
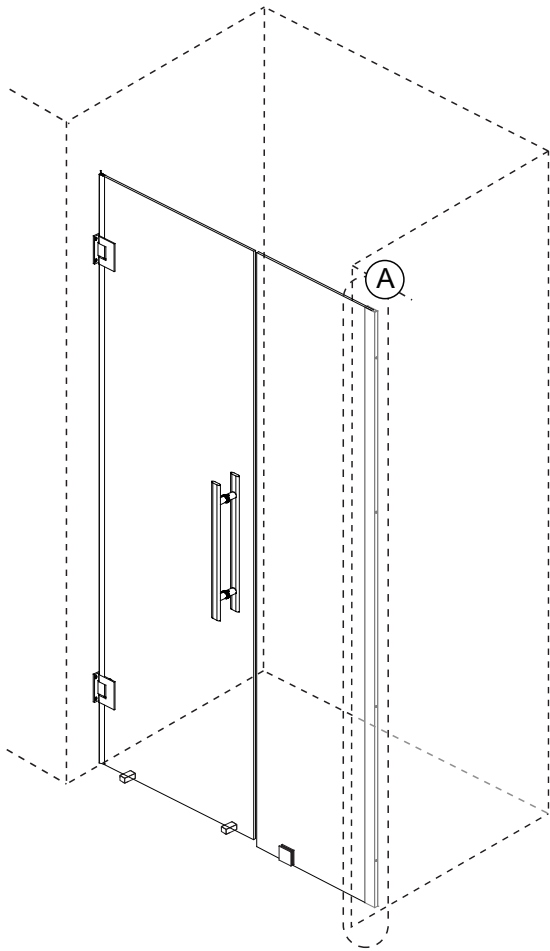


5. Place to the marked location, use $\text{Ø}5/16''$ drill bit for drilling needed holes.

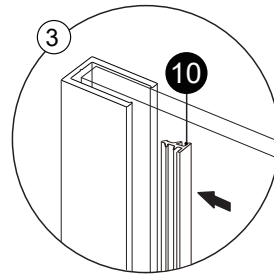


6. Mounting the Bottom Bracket with the wall plug and screw as pic shown.

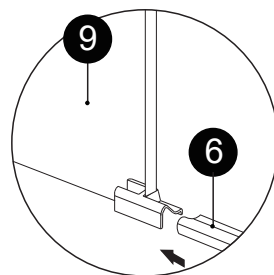
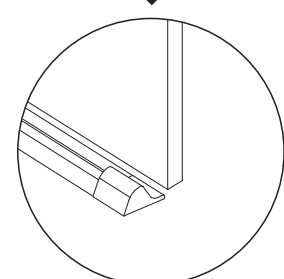
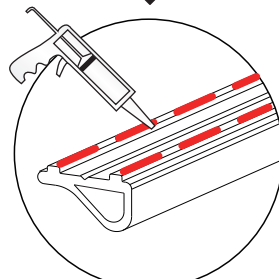
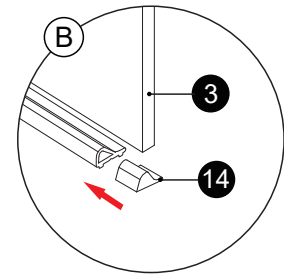
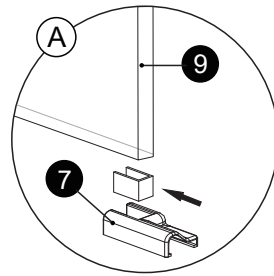
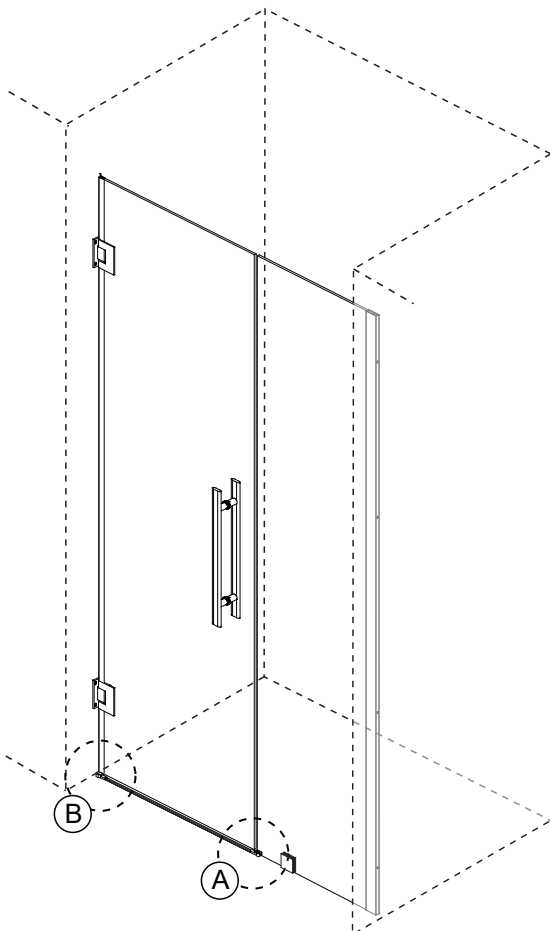
STEP 6



MAKE SURE DOOR PANEL AND FIXED PANEL
GLASS IS IN SAME HEIGHT ON TOP



STEP 7 Install Drip Rail.



STEP 8



24 HOURS

Apply clear silicone caulking along the wall and threshold of the shower door inside and outside.

(make sure you) wait 24hours before using the shower. Do not allow water to directly hit door.

