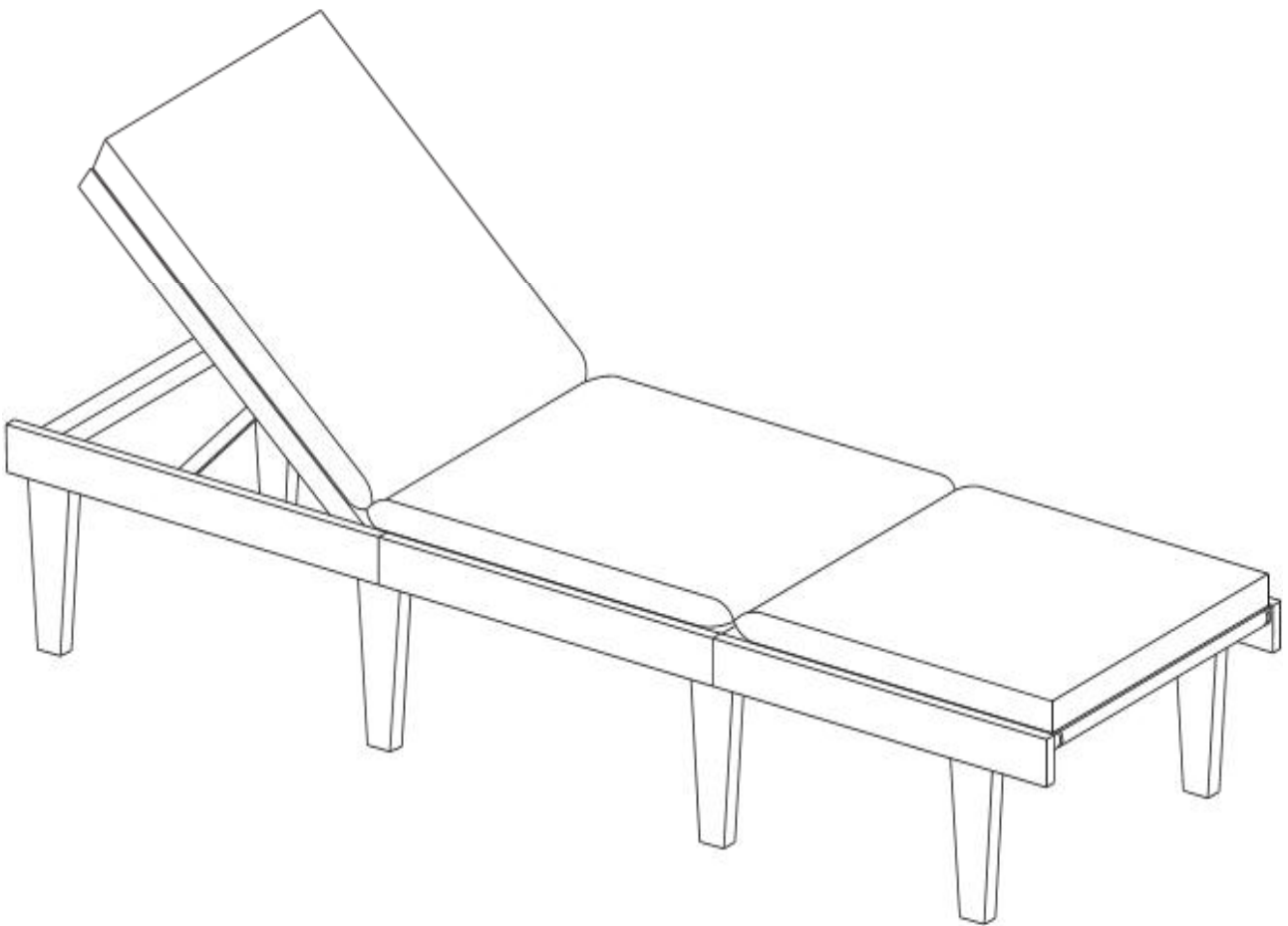


Assembly Instructions





LOUNGER

CAUTION: You must read this before you proceed.





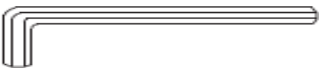


CAUTION : This Lounger is NOT a TOY.
Keep your child / children at bay during the assembly process.
For turning the Lounger and to prevent damage to the Lounger, two adults may be needed to execute this action.

Parts List

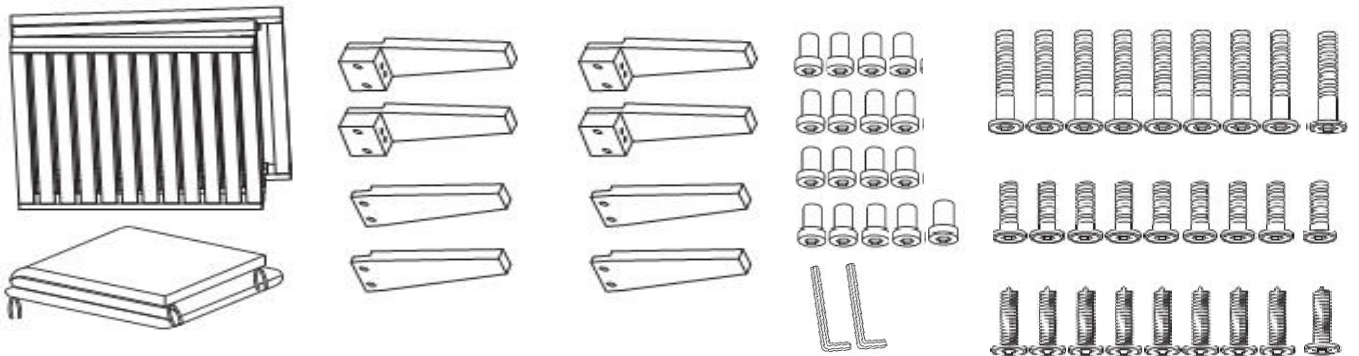
No.	Picture	Description	Qty
A		Foldable Seat Panel	1
B		Middle Leg	4
C		Side Leg	4
D		Cushion	1

Hardware

No.	Picture	Description	Qty
①		Long Bolt (M6x70mm)	9
②		Short Bolt (M6x30mm)	9
③		Sleeve Nut (M6x15mm)	17
④		Screw (M6x55mm)	9
⑤		Allen Key	2

Assembly Preparation

Before Beginning Assembly:



Read instructions, cover to cover.



Have 2 adults on hand for assembly.



Do not assemble on flooring or carpet.



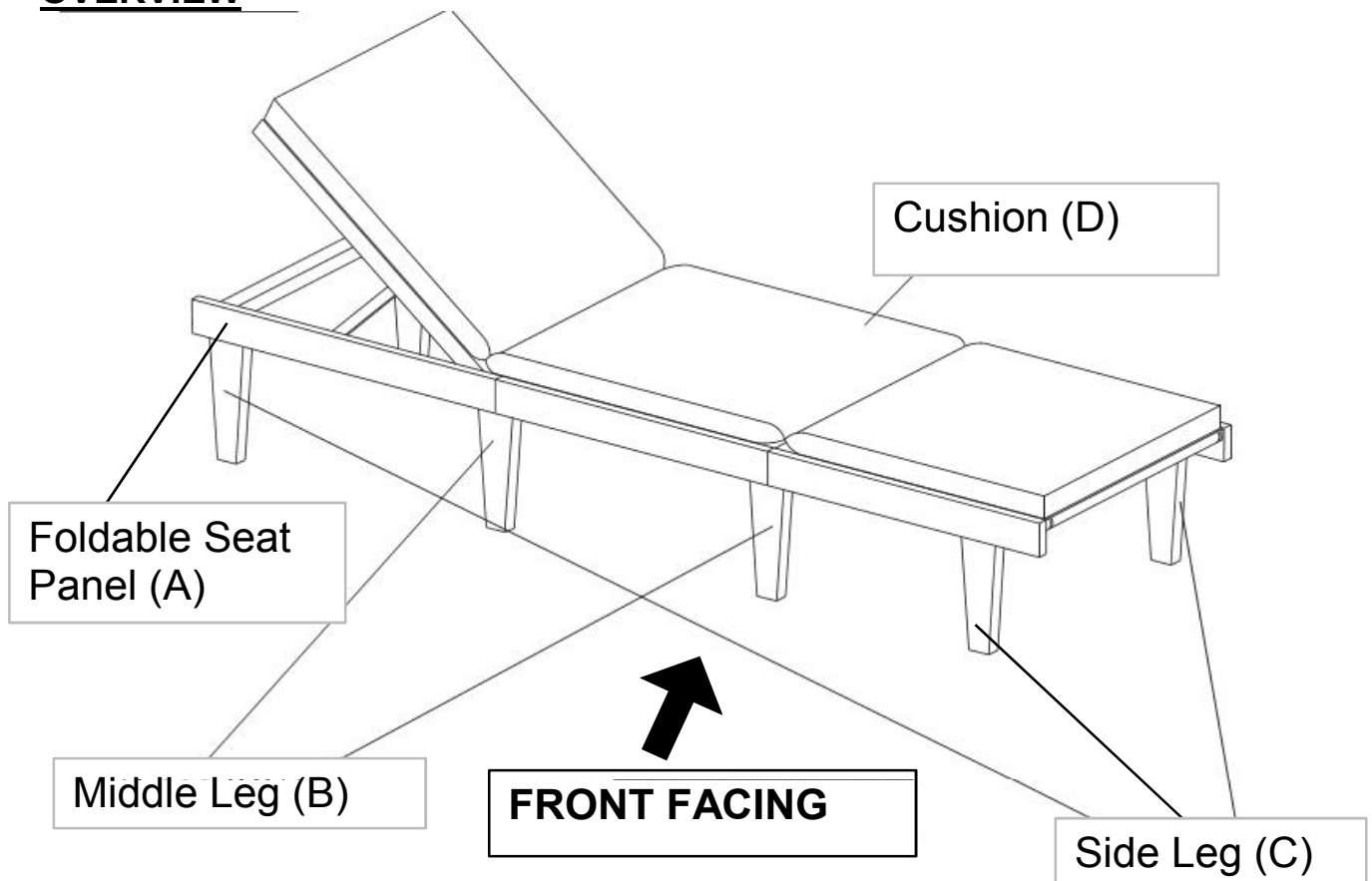
Assemble on a clean non-marring surface (packing foam).



Save all packaging until finished.

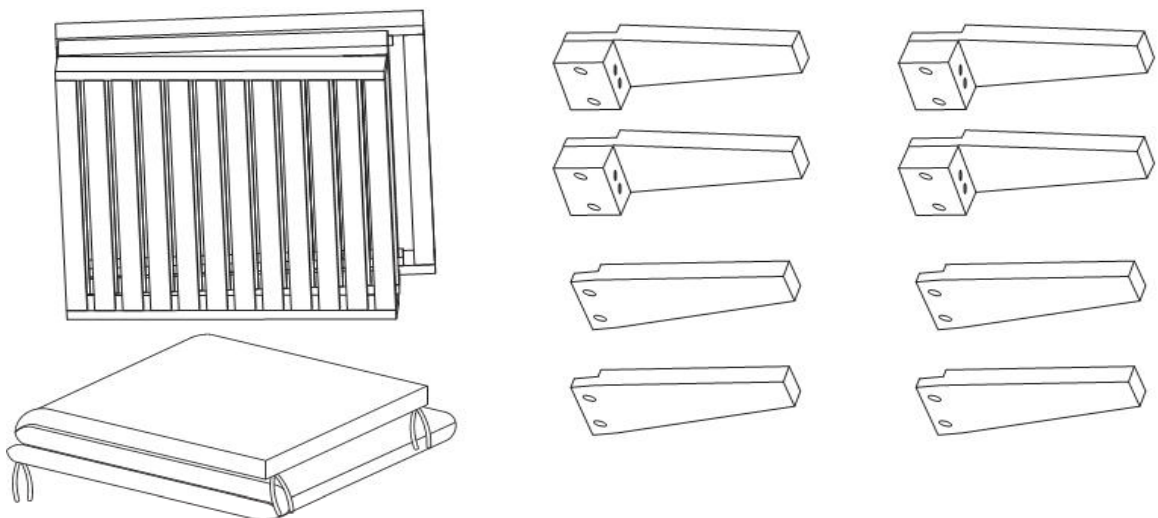
Assembly Steps

OVERVIEW



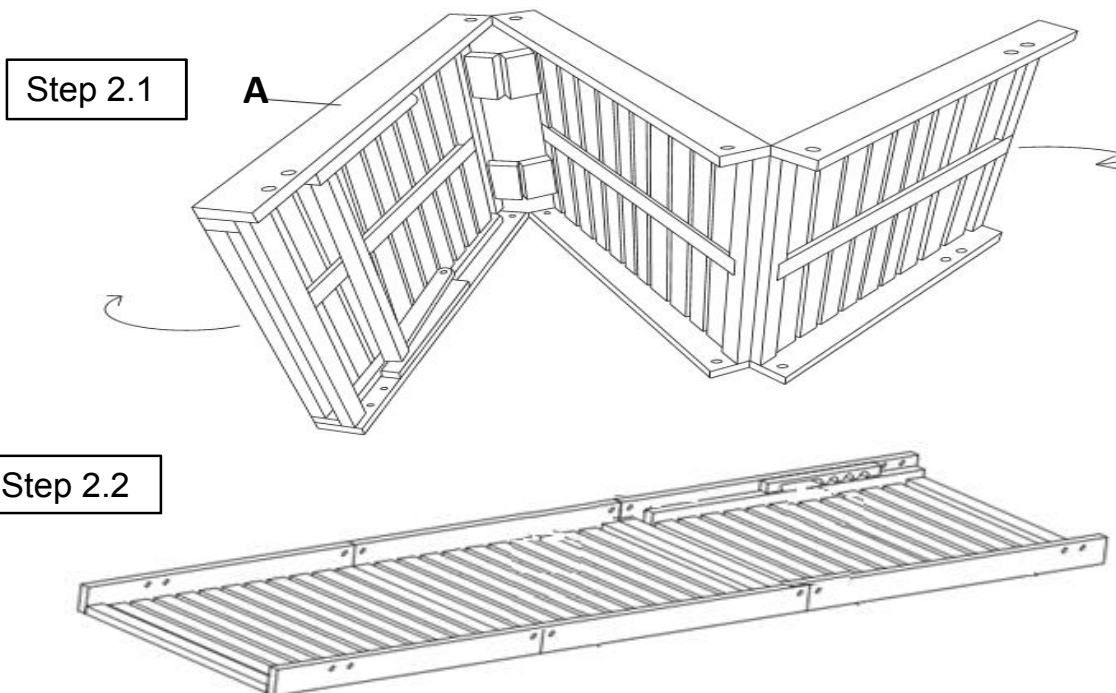
This Lounger has multiple parts and may require up to 30 minutes to assemble. To give you an overview of the Lounger parts, the above picture is to help you put the various parts into perspective. Please read through the instructions below to familiarise yourself with the parts and steps before assembly.

Step 1



Unpack and place all parts on a clean, non-marring surface.

Step 2



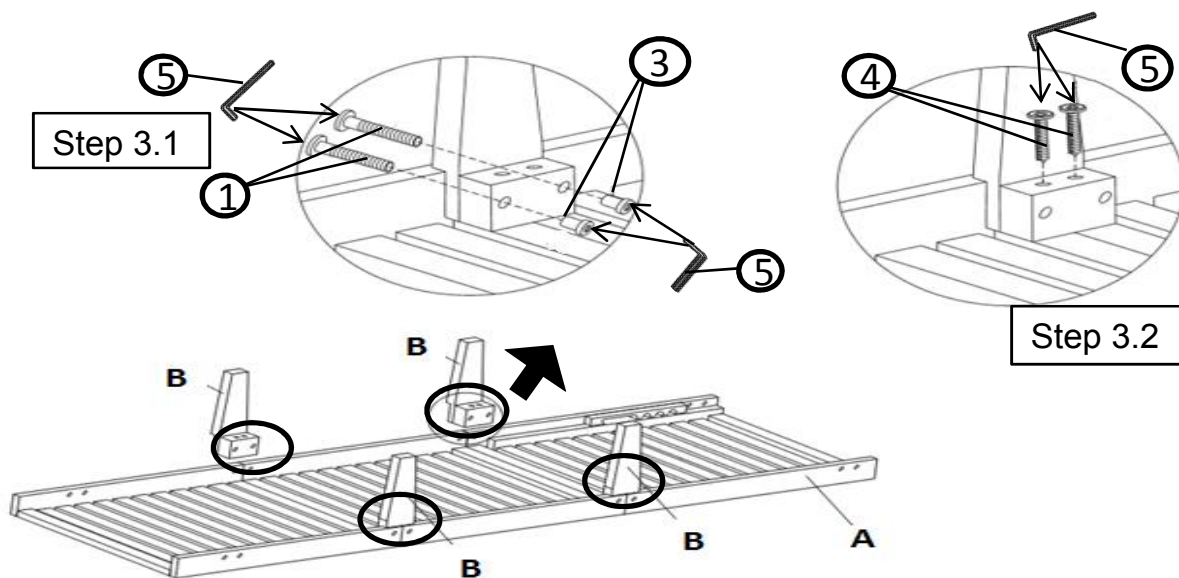
2.1) Place the Foldable Seat Panel(A) on one side as pictured above. Gently unfold the Seat Panel(A) as indicated by the arrows.

2.2) Then lay the Seat Panel(A) facedown onto a clean, non-marring surface.

Caution: The Foldable Seat Panel Parts are large and heavy, always have a second Adult to assist you whenever lifting or moving them.

At the same time, please don't place your hands between the gaps to avoid injury.

Step 3



Position Middle Leg(B) to Foldable Seat Panel(A) as pictured above.

3.1) Horizontally, affix the Middle Leg(B) to the Foldable Seat Panel(A) using Long Bolts(①), and Sleeve Nuts(③) with Allen Keys(⑤).

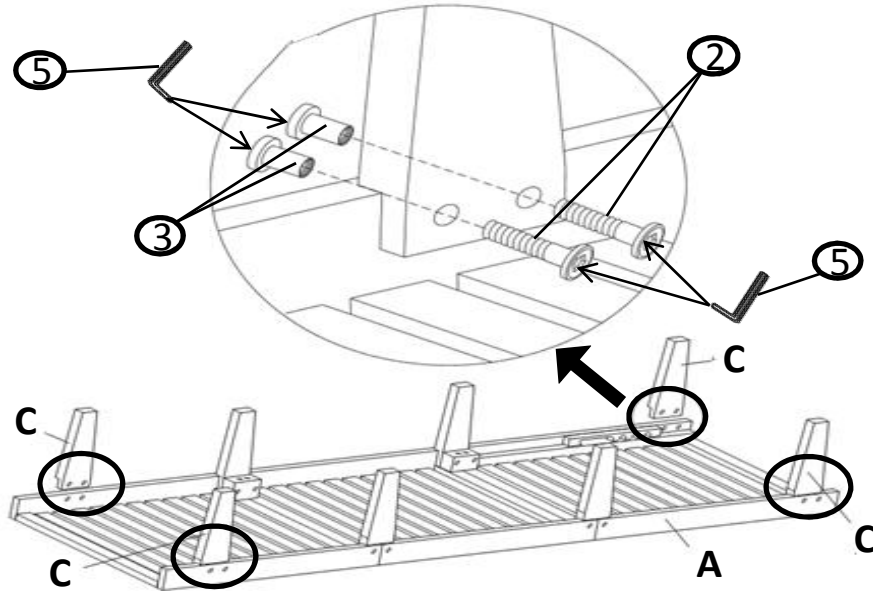
Only loosely tighten the Bolts.

3.2) Vertically, affix the Middle Leg(B) to the Foldable Seat Panel(A) using Screws(④) with Allen Key(⑤)

Only loosely tighten the Screws.

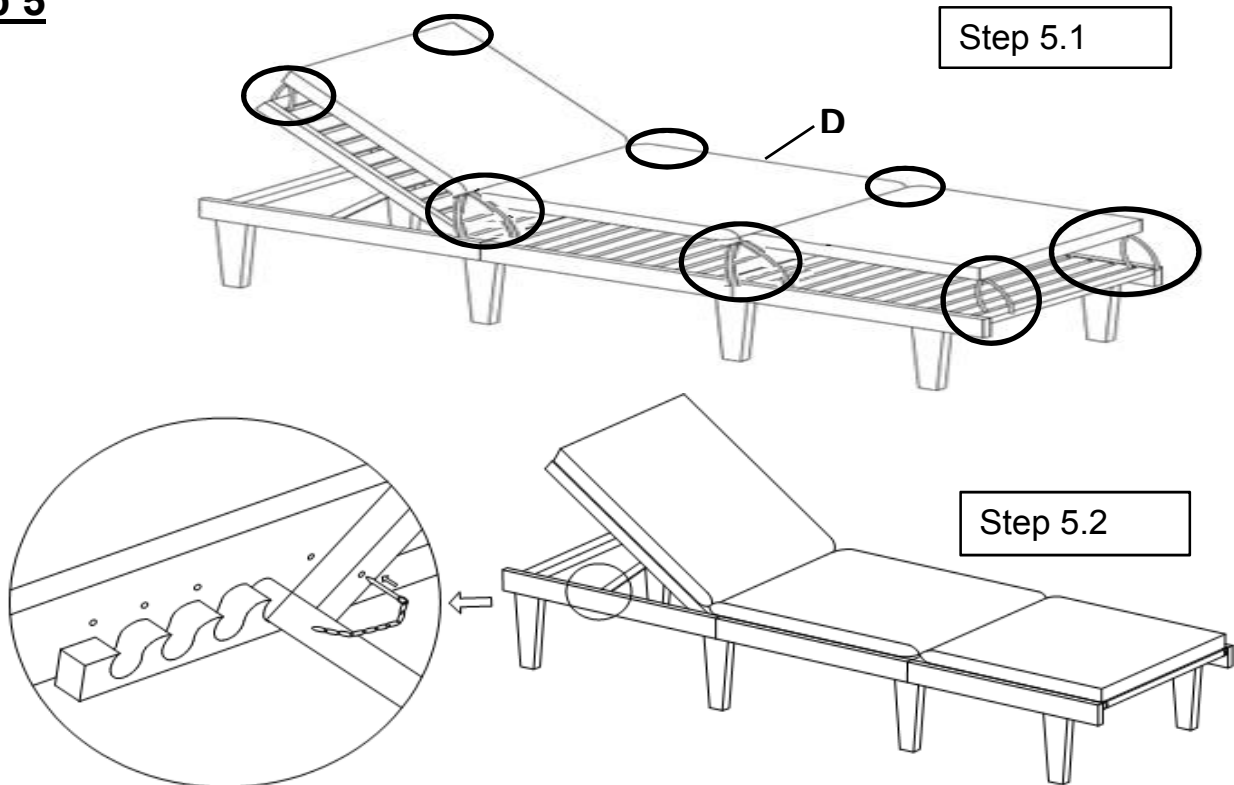
Repeat the same process with the remaining three Middle Legs(B)

Step 4



Position Side Leg(C) to Foldable Seat Panel(A) as pictured above.
Affix the Side Leg(C) to Foldable Seat Panel(A) using Short Bolts(2), and Sleeve Nuts(3) with Allen Key(5).
In a sequential manner, tighten all Bolts and Screws at all joints until fully locked into position.

Step 5



Stand the Lounger right side up onto a flat horizontal surface and adjust to achieve levelness.

Inspect it and make sure all parts are adequately connected.



















5.1) Place the Cushion(D) on to the Lounger using the velcro straps

5.2) Use the locker to lock Backrest in position you want

Your Lounger is ready for use.

This Lounger can only be used on a flat, level surface.

Care & Maintenance

-   ● Do not put hot items directly on furniture surface
 -   ● Do not clean furniture with harsh cleansers or polish.
 -   ● To obtain the longest lifespan of your outdoor products, minimizing exposure to direct sunlight is recommended.
 -   ● Children should not climb or jump on the furniture.
 -   ● Do not write on furniture without a padded barrier to protect the surface.
 -   ● To obtain the longest lifespan of your outdoor products, avoid extended and lengthy exposure to rain, snow, and direct sunshine. Whenever possible cover the product and /or place under patio or awnings.
 -   ● Not for commercial use. For residential use only .
 -   ● Stains may be removed with mild soap solution and damp cloth.
-
-   ● Dust and pick-up spills using a clean, non-colored, lint-free cloth .

Questions & Answers about Proposition 65

• What is Proposition 65?

Proposition 65 requires businesses to provide warnings to Californians about significant exposures to chemicals that cause cancer, birth defects or other reproductive harm.

These chemicals can be in the products that Californians purchase, in their homes or workplaces, or that are released into the environment. By requiring that this information be provided, Proposition 65 enables Californians to make informed decisions about their exposures to these chemicals.

Proposition 65 also prohibits California businesses from knowingly discharging significant amounts of listed chemicals into sources of drinking water.

Proposition 65 requires California to publish a list of chemicals known to cause cancer, birth defects or other reproductive harm. This list, which must be updated at least once a year, has grown to include approximately 900 chemicals since it was first published in 1987.

• What types of chemicals are on the Proposition 65 list?

The list contains a wide range of naturally occurring and synthetic chemicals that include additives or ingredients in pesticides, common household products, food, drugs, dyes, or solvents. Listed chemicals may also be used in manufacturing and construction, or they may be byproducts of chemical processes, such as motor vehicle exhaust.

• What does a warning mean?

If a warning is placed on a product label or posted or distributed at a workplace, a business, or in rental housing, the business issuing the warning is aware or believes that it is exposing individuals to one or more listed chemicals.

By law, a warning must be given for listed chemicals unless the exposure is low enough to pose no significant risk of cancer or is significantly below levels observed to cause birth defects or other reproductive harm.

• Where can I get more information on Proposition 65?

If you have specific questions on the administration or implementation of Proposition 65, you can contact OEHH's Proposition 65 program at P65.Questions@oehha.ca.gov, or by phone at (916) 445-6900.