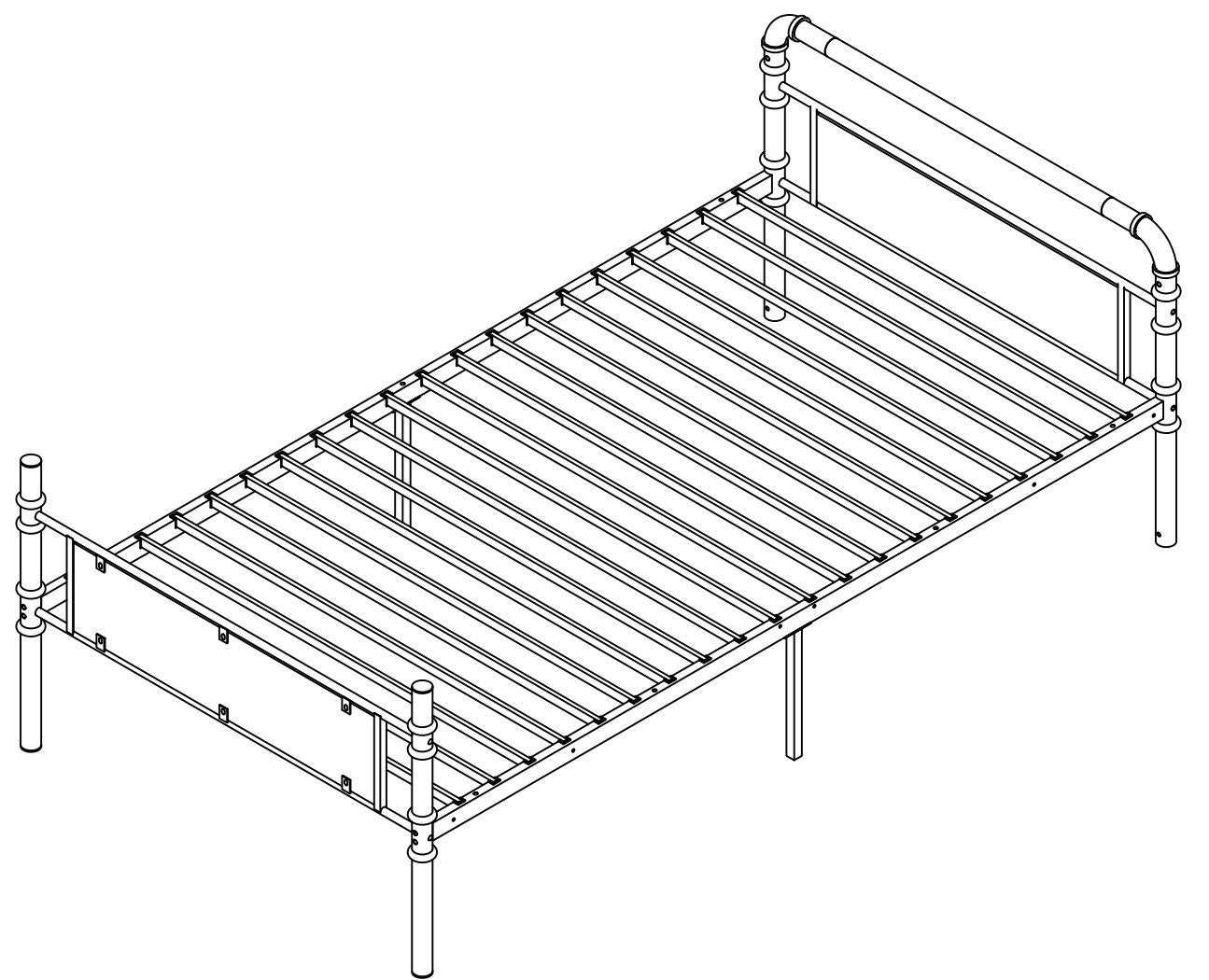
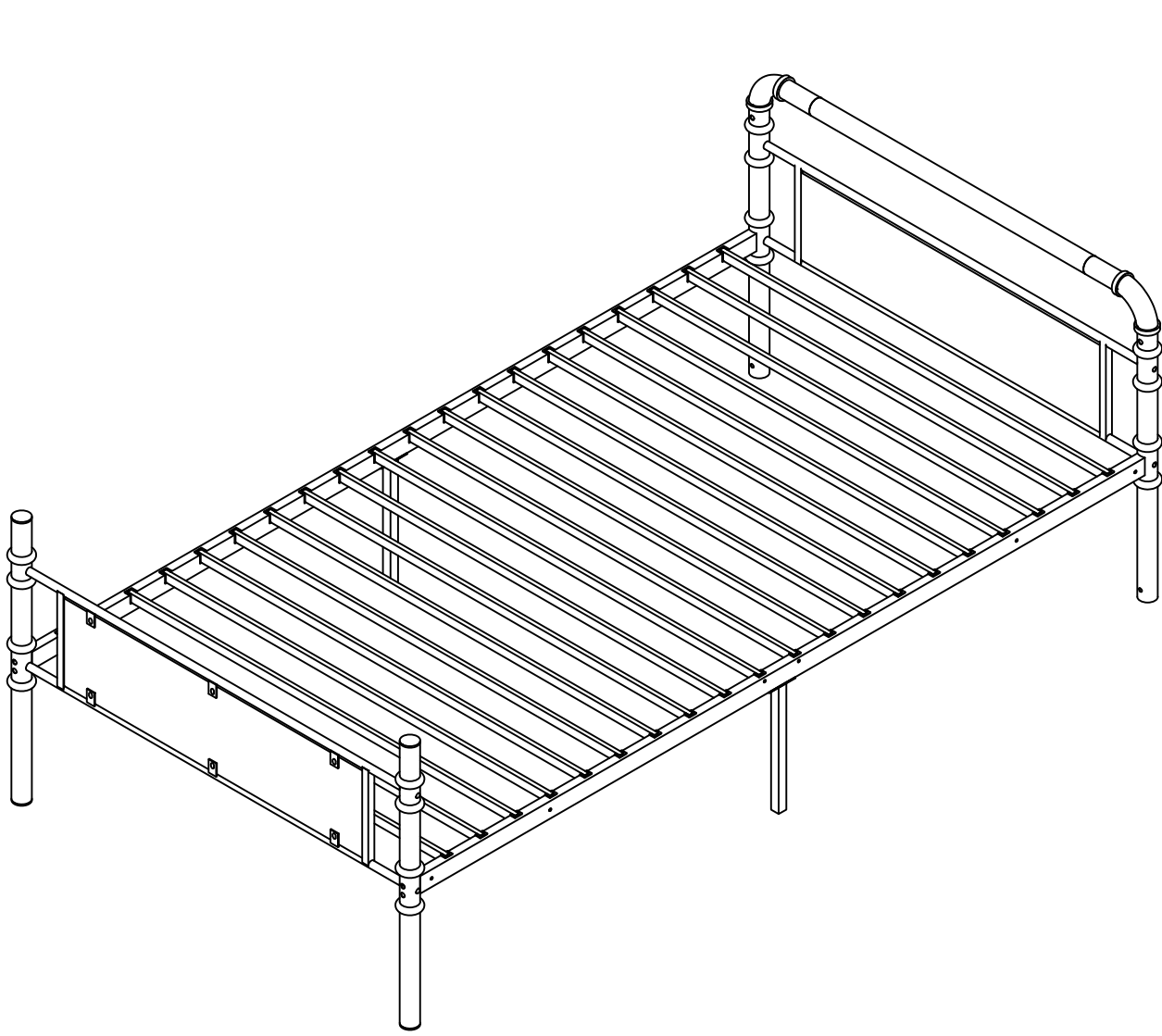
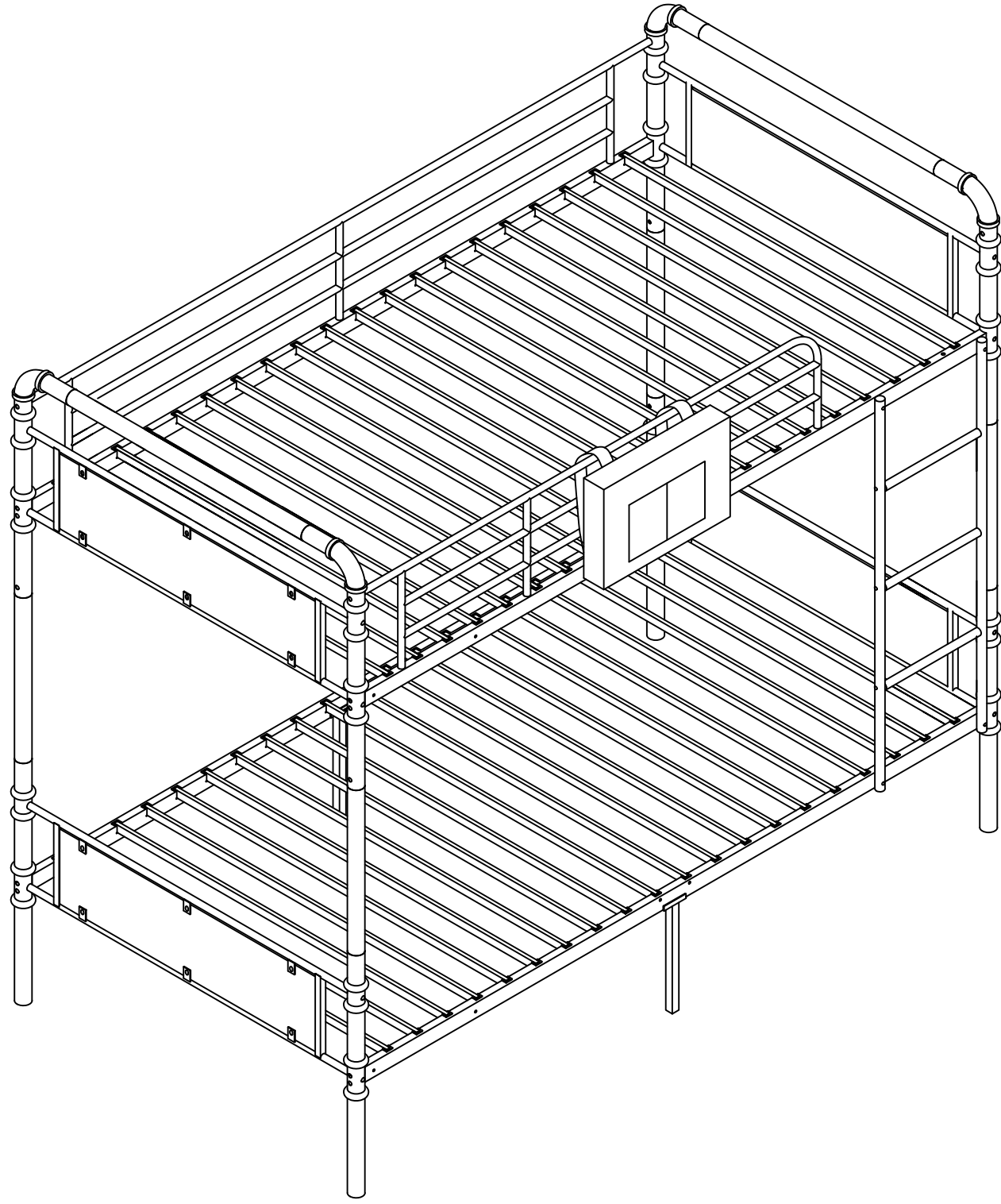


# Assembly instruction



**BED FRAME**



# WARNING

## Keep these instructions for future reference

To help prevent serious or fatal injuries from entrapment or falls:

Follow the information on the warnings appearing on the upper bunk end structure and on the carton. Do not remove warning label from bed.

Use only mattress which is 74" - 75" long and 37 ½" - 38 ½" wide on upper bunk and lower bed.

Always use the recommended size mattresses or mattress supports, or both, to help prevent the likelihood of entrapment or falls.

Surface of mattress must be at least 5 in. (127 mm) below the upper edge of guardrails.

Ensure thickness of mattress does not exceed 6" and mattress is at least 5" below upper edge of guardrails.

Do not allow children under 6 years of age to use the upper bunk.

Periodically check and ensure that the guardrail, ladder, and other components are in their proper position, free from damage, and that all connectors are tight.

Do not allow horseplay on or under the bed and prohibit jumping on the bed.

Always use the ladder for entering and leaving the upper bunk.

Keep these instructions for future reference.

Do not use substitute parts. Contact the manufacturer or dealer for replacement parts.

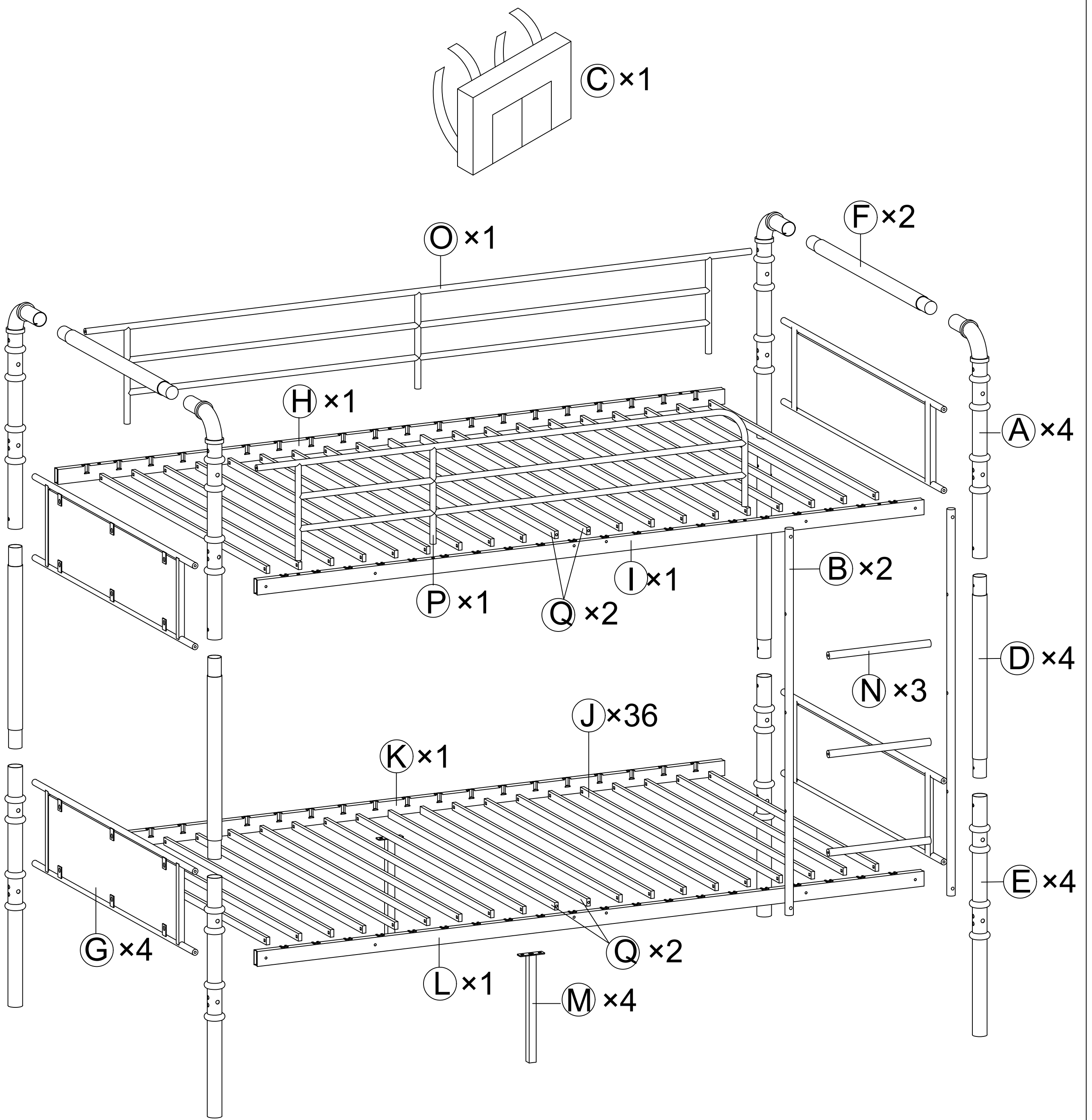
Use of a night light may provide added safety precaution for a child using the upper bunk.

Always use guardrails on both long sides of the upper bunk. If the bunk bed will be placed next to the wall, the guardrail that runs the full length of the bed should be placed against the wall to prevent entrapment between the bed and wall.

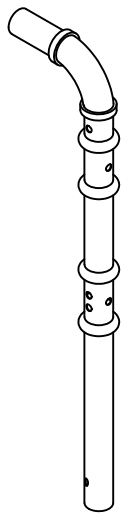
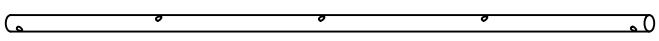
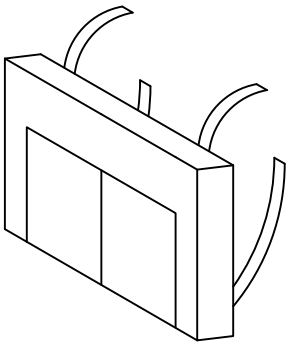


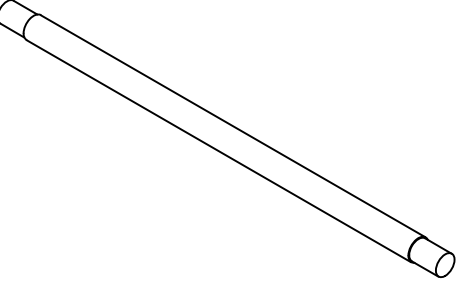
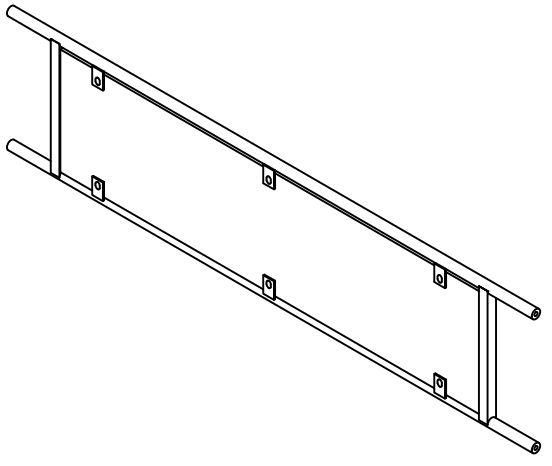
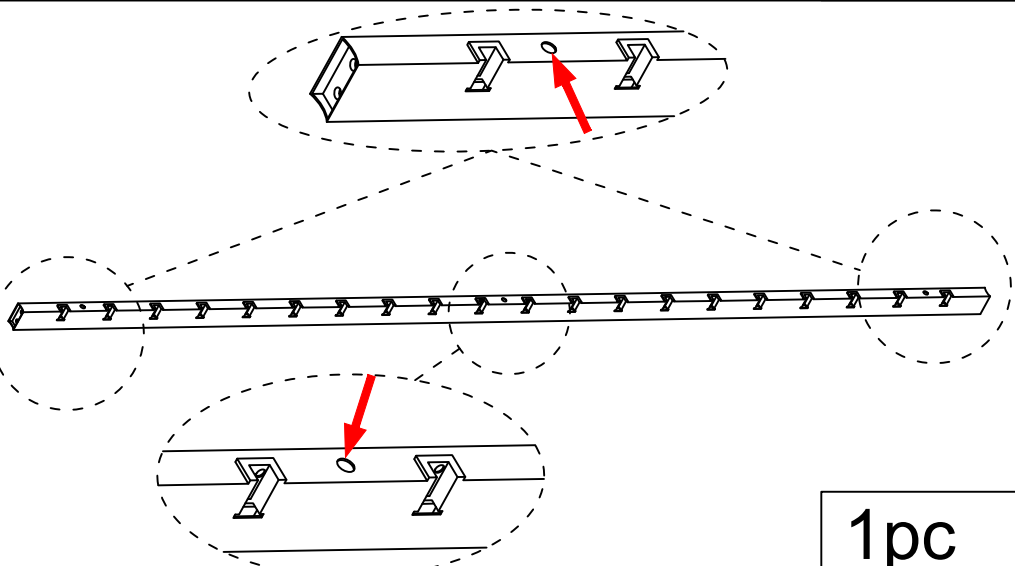
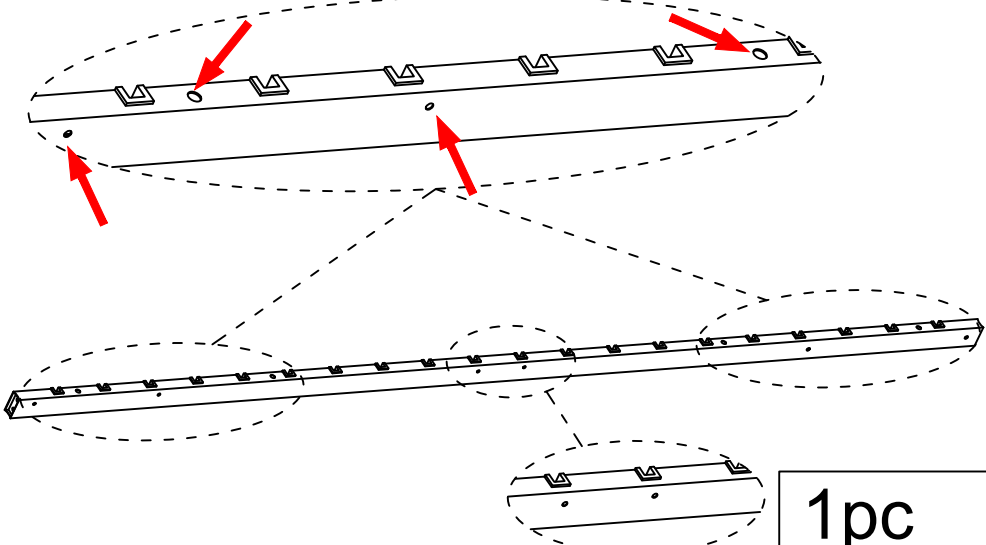
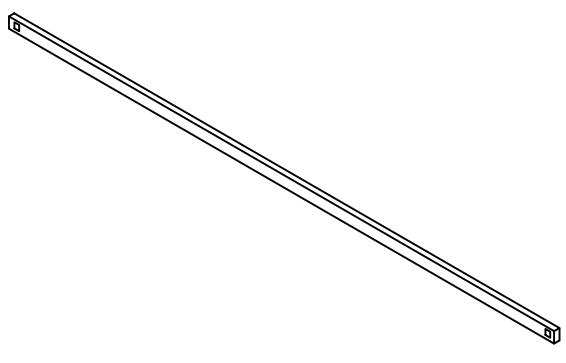
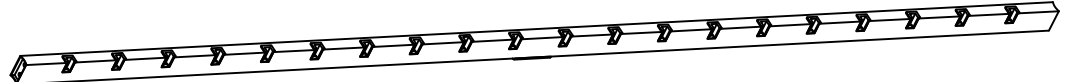
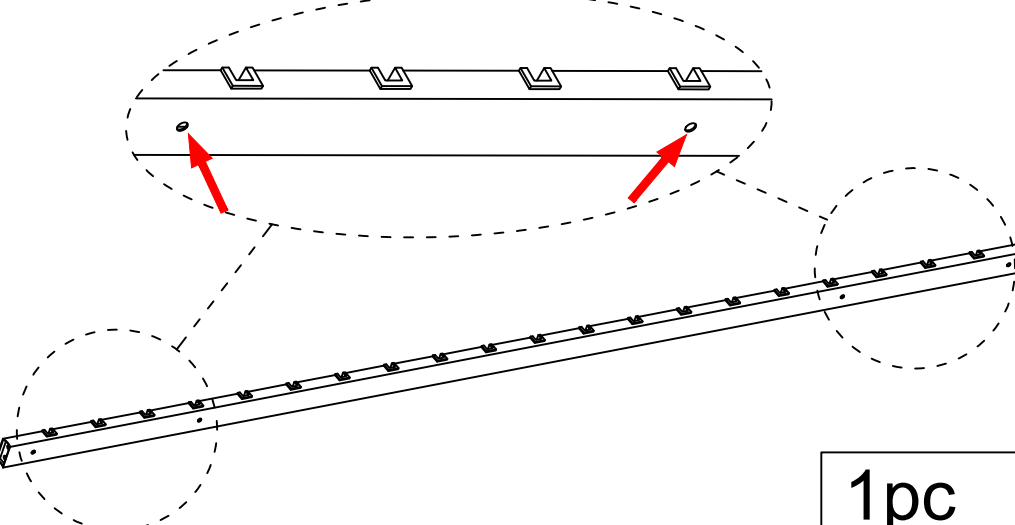
The use of water or sleep flotation mattresses is prohibited.

Replacement Parts- Replacement parts, including additional guardrails, may be obtained from any of our dealers.

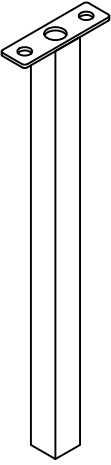
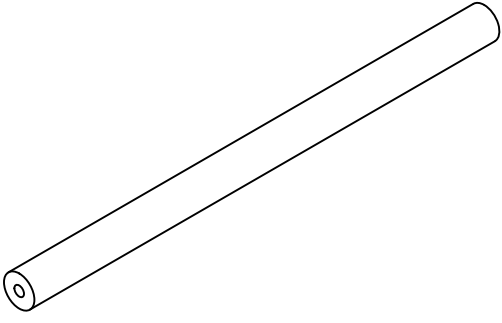
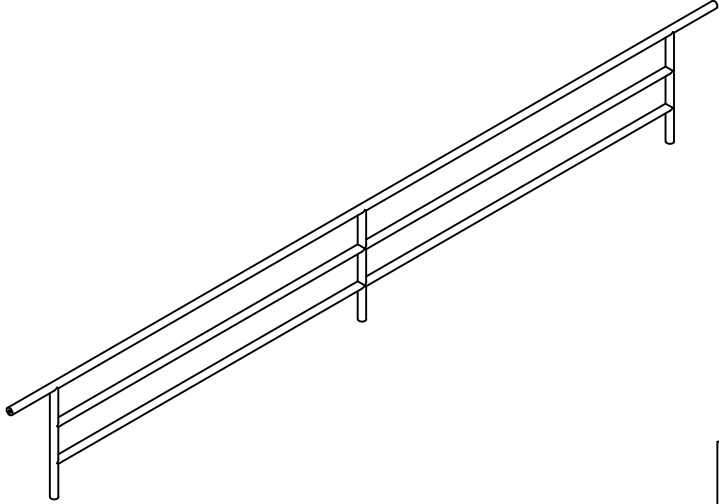
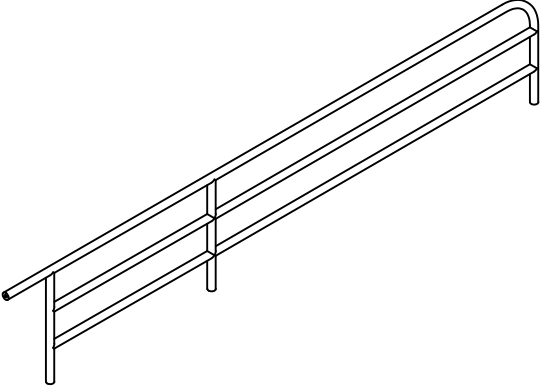
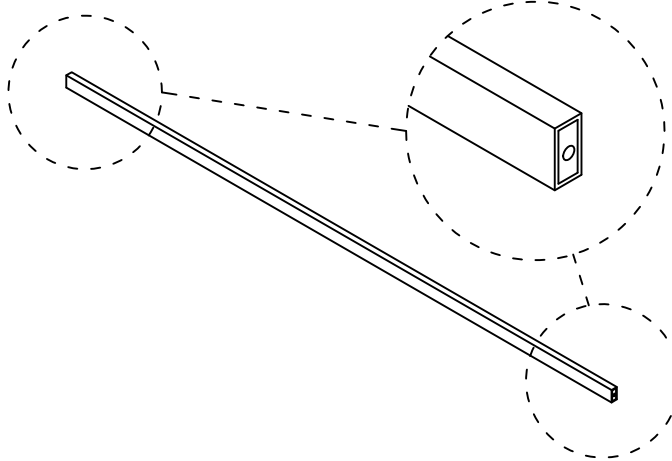
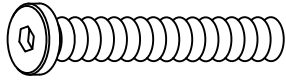
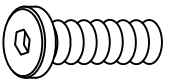
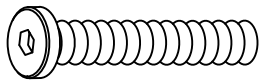
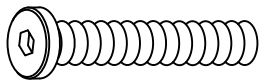

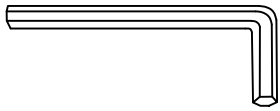
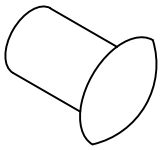
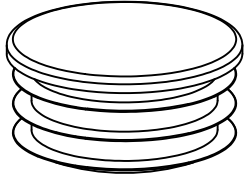
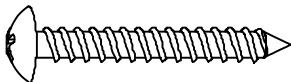
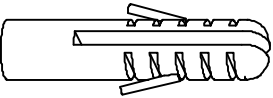
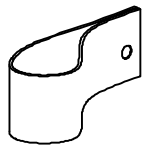
**STRANGULATION HAZARD** - Never attach or hang items to any part of the bunk bed that are not designed for use with the bed; for example, but not limited to, hooks, belts and jump ropes.



# Parts List

<p><b>A</b></p>  <p>4pcs</p>	<p><b>B</b></p>  <p>2pcs</p>
<p><b>C</b></p> 	<p><b>D</b></p>  <p>4pcs</p>
<p><b>E</b></p>  <p>4pcs</p>	<p><b>F</b></p>  <p>2pcs</p>
<p><b>G</b></p>  <p>4pcs</p>	<p><b>H</b></p>  <p>1pc</p>
<p><b>I</b></p>  <p>1pc</p>	<p><b>J</b></p>  <p>36pcs</p>
<p><b>K</b></p>  <p>1pc</p>	<p><b>L</b></p>  <p>1pc</p>

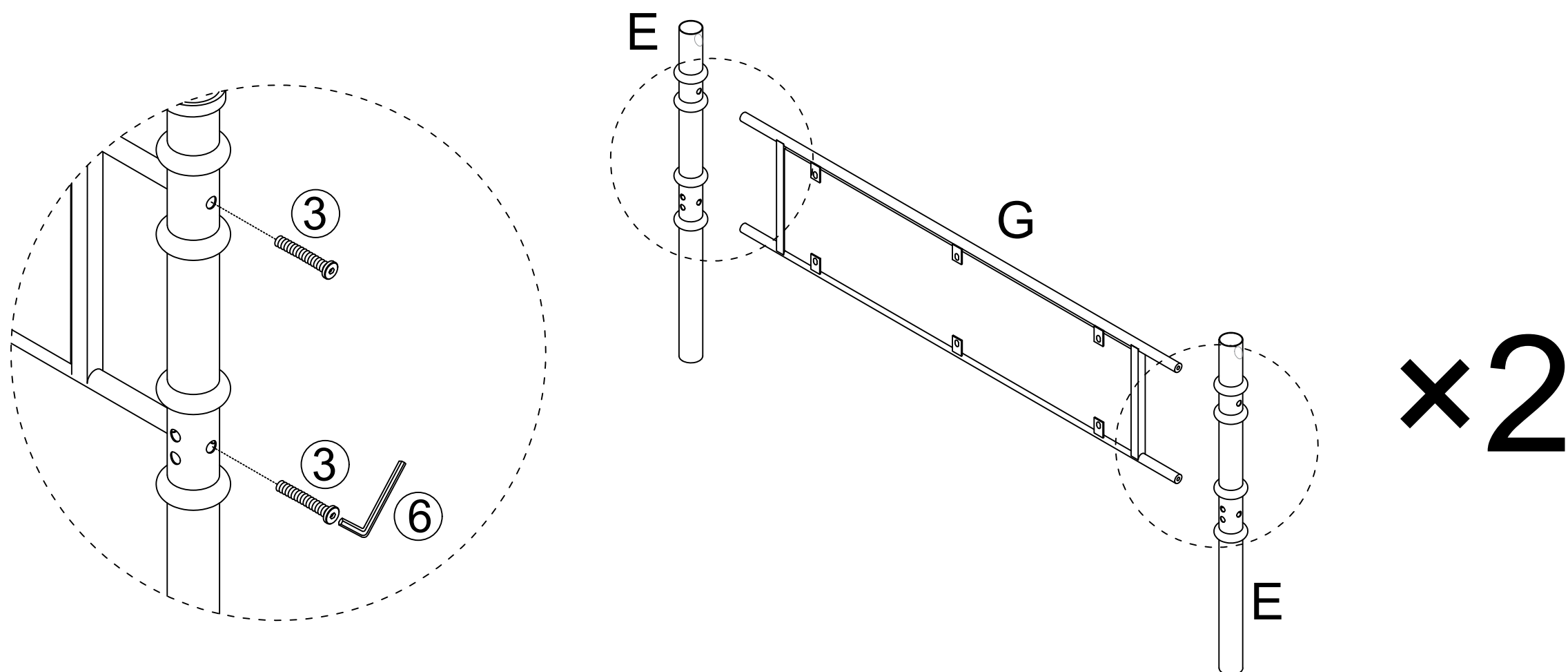
# Parts List

<p>M</p>  <p>4pcs</p>	<p>N</p>  <p>3pcs</p>	
<p>O</p>  <p>1pc</p>	<p>P</p>  <p>1pc</p>	
<p>Q</p>  <p>4pcs</p>	<p>①</p>  <p>M8×60mm</p> <p>16pcs</p>	
<p>②</p>  <p>M8×20mm</p> <p>16pcs</p>	<p>③</p>  <p>M6×55mm</p> <p>25pcs</p>	
<p>④</p>  <p>M6×32mm</p> <p>18pcs</p>	<p>⑤</p>  <p>M8</p> <p>1pc</p>	
<p>⑥</p>  <p>M6</p> <p>1pc</p>	<p>⑦</p>  <p>8pcs</p>	<p>⑧</p>  <p>8pcs</p>
<p>⑨</p>  <p>2pcs</p>	<p>⑩</p>  <p>2pcs</p>	<p>⑪</p>  <p>2pcs</p>



# Installation Steps

1. Bunk bed-Mode 1: Go with step: 1~13 Two Single bed-Mode 2: Go with step: 1~2 step: 14~17
2. Before your installation, please make sure that you have all the parts listed on the manual. If you find something missing, please do not hesitate in contacting us.
3. Please note do not fully tight screws until all the bed parts are assembled.

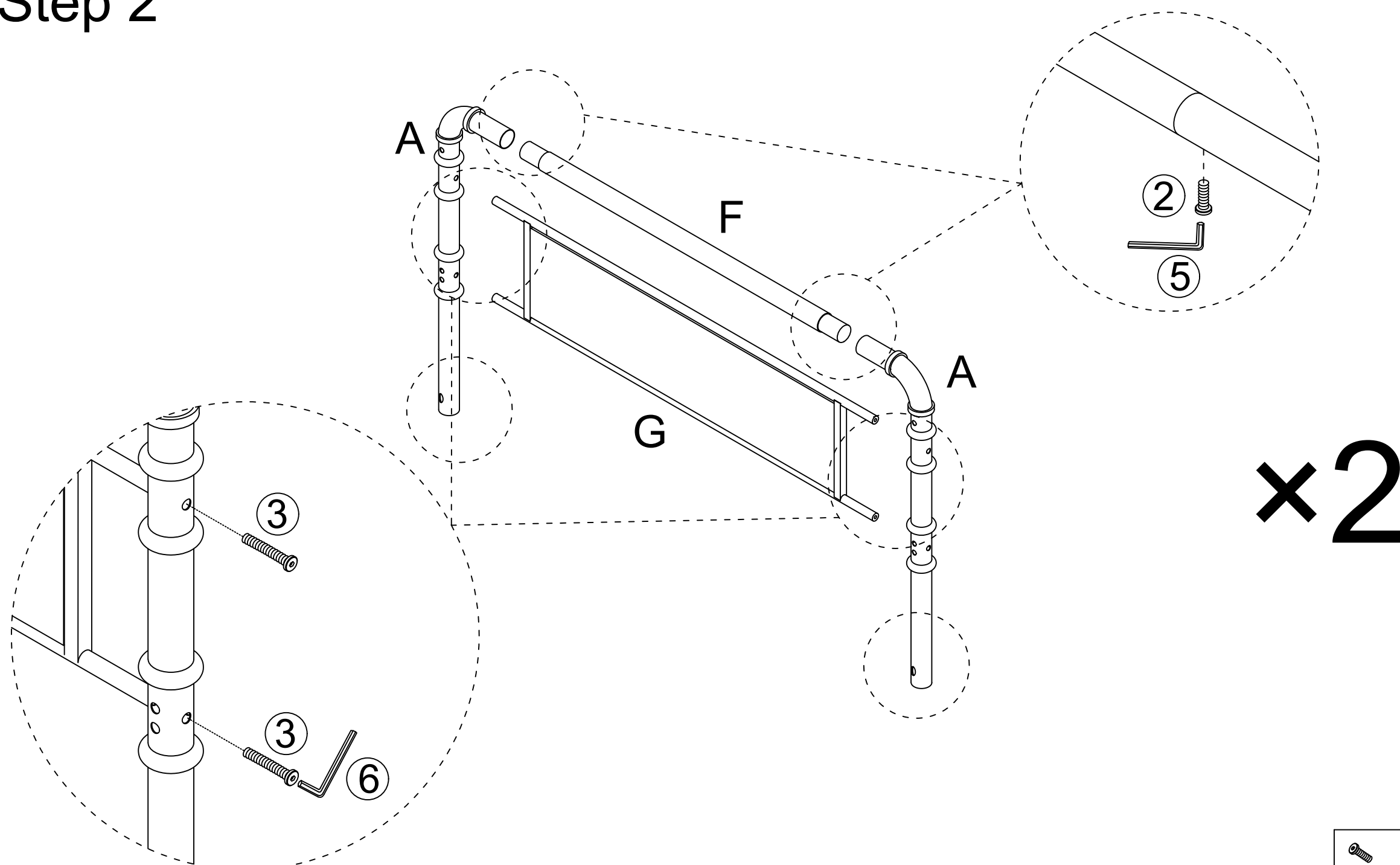
## Step 1







**Tip: please pay attention to the direction of the part "G" board, the side with the screws should face out as the picture shown.**

	③×8PCS
	⑥×1PC

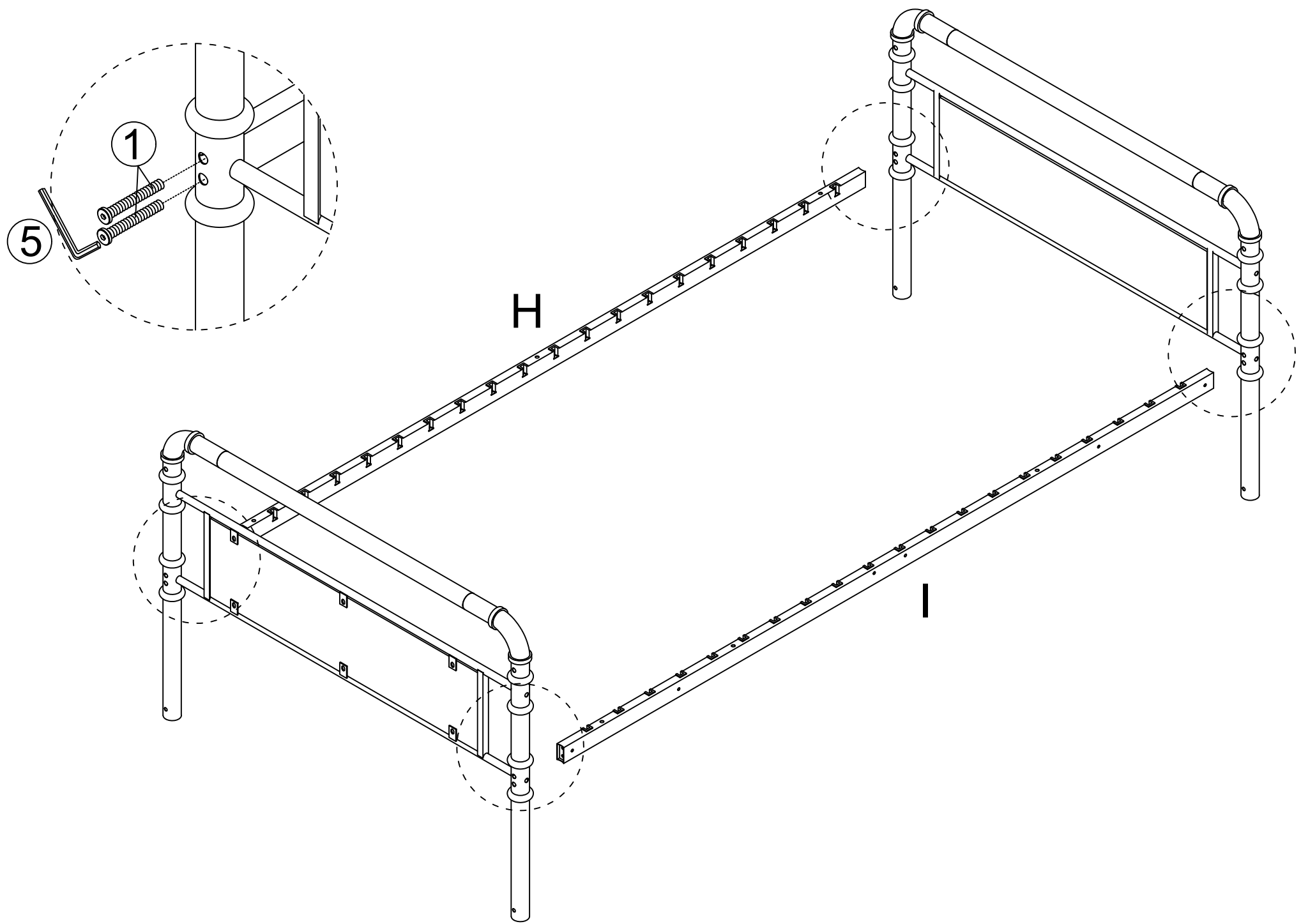
## Step 2





**Tip: please pay attention to the direction of the part "G" board, the side with the screws should face out as the picture shown.**

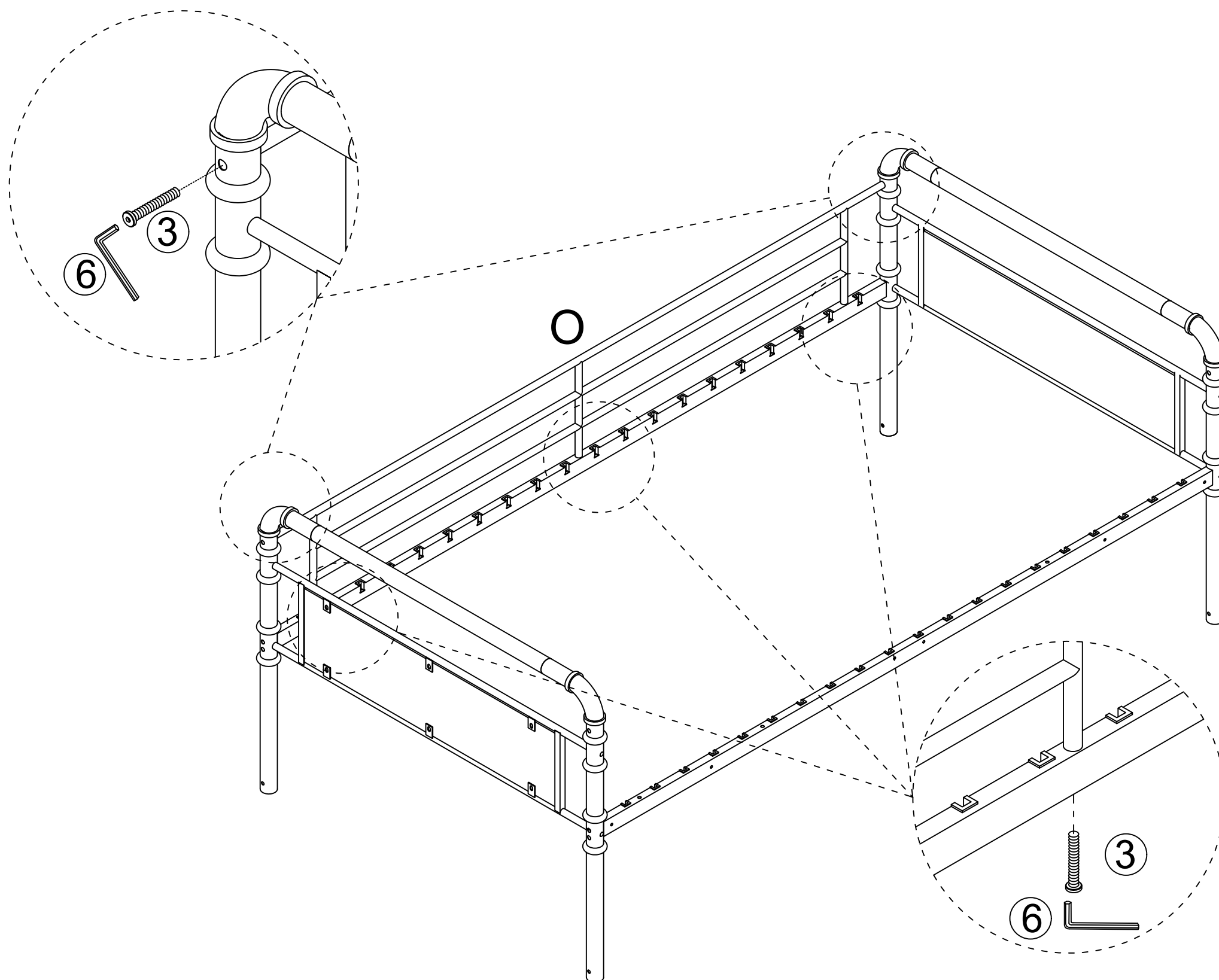
	②×4PCS
	③×8PCS
	⑤×1PC
	⑥×1PC



# Step 3



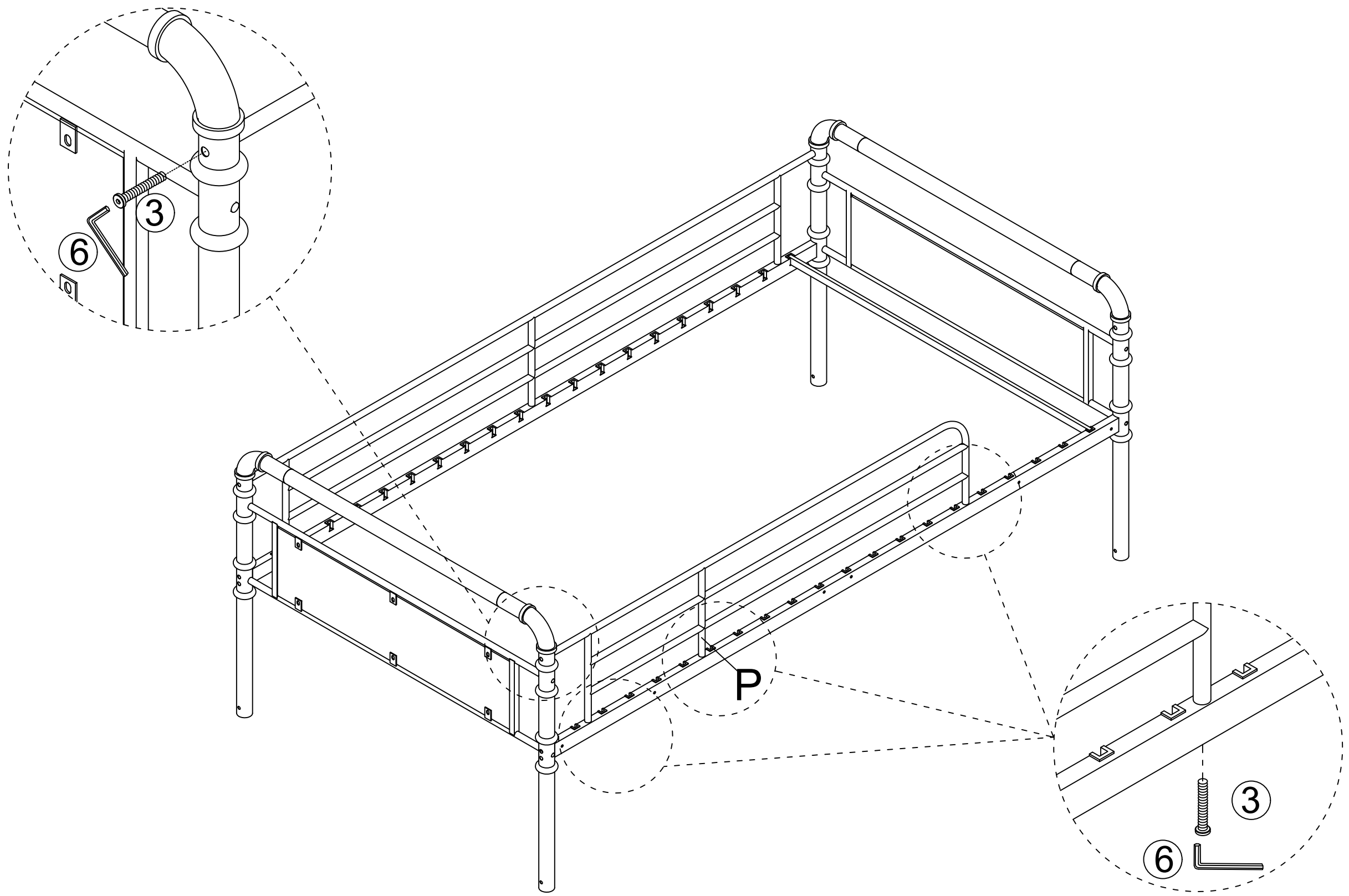
	①×8PCS
	⑤×1PC

# Step 4

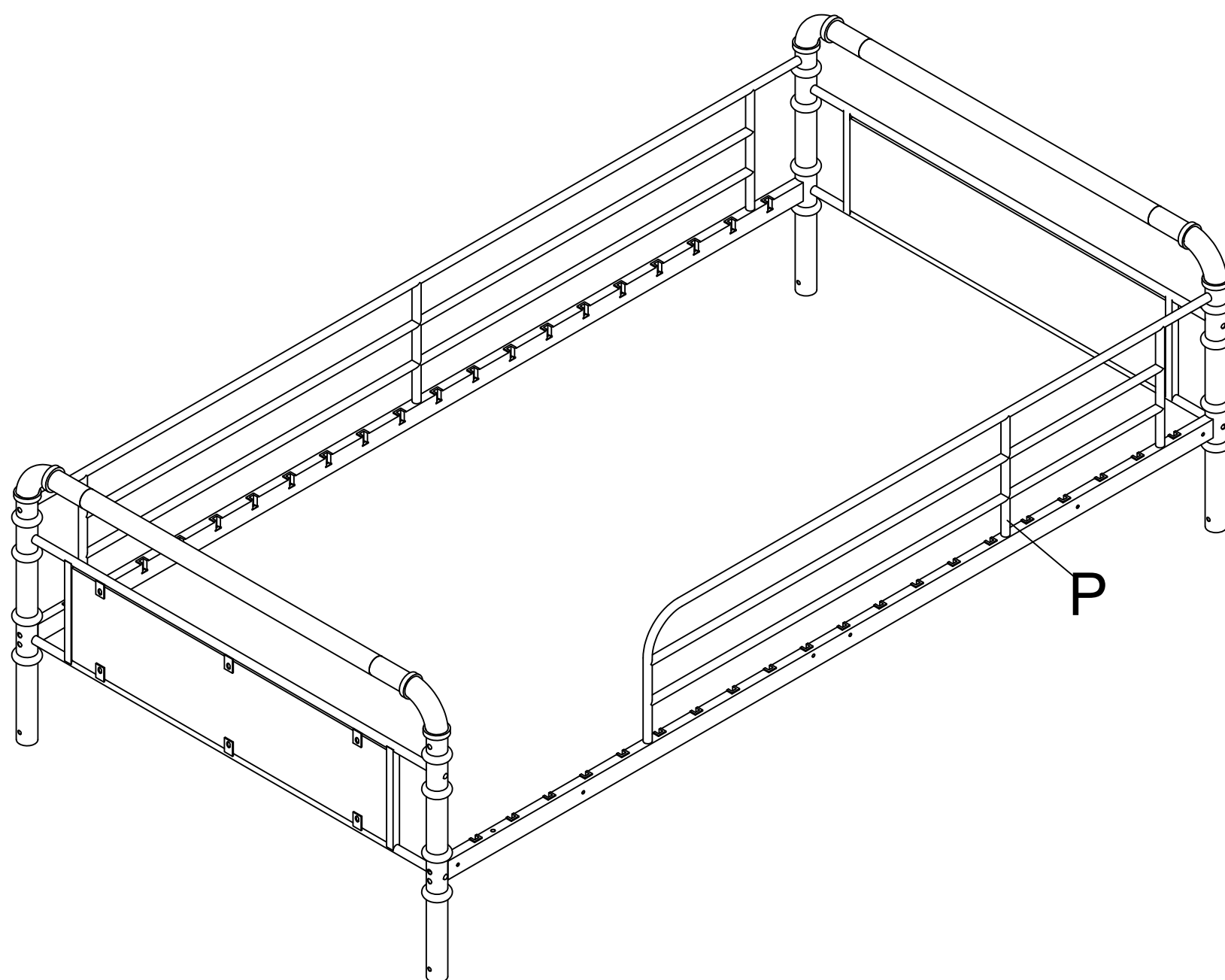




	③×5PCS
	⑥×1PC

# Step 5

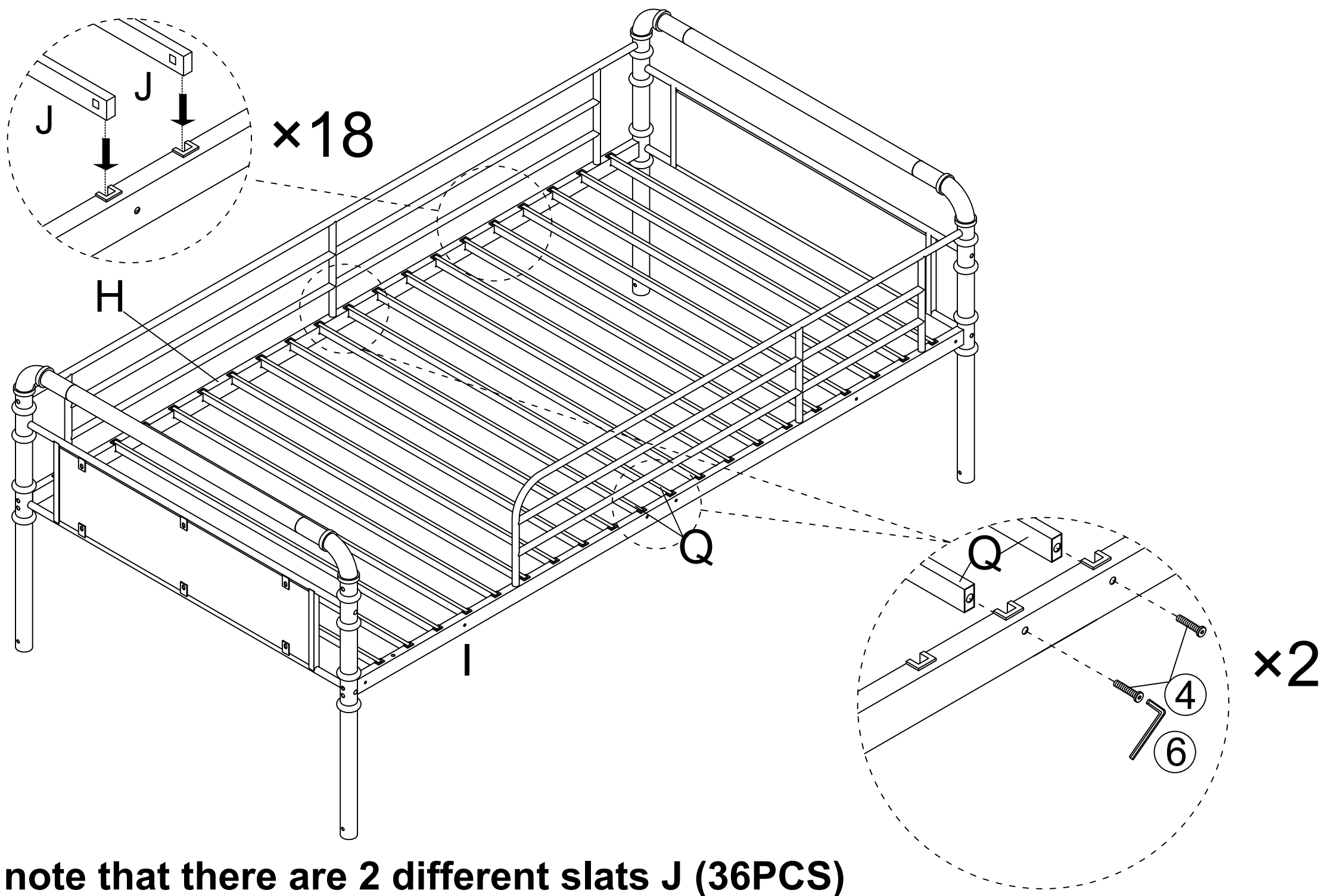


**Tip: please note the short guardrail “P” can be assembled on the Right or Left side, in depending on you want to go up the stairs from which side.**



	③×4PCS
	⑥×1PC

# Step 6

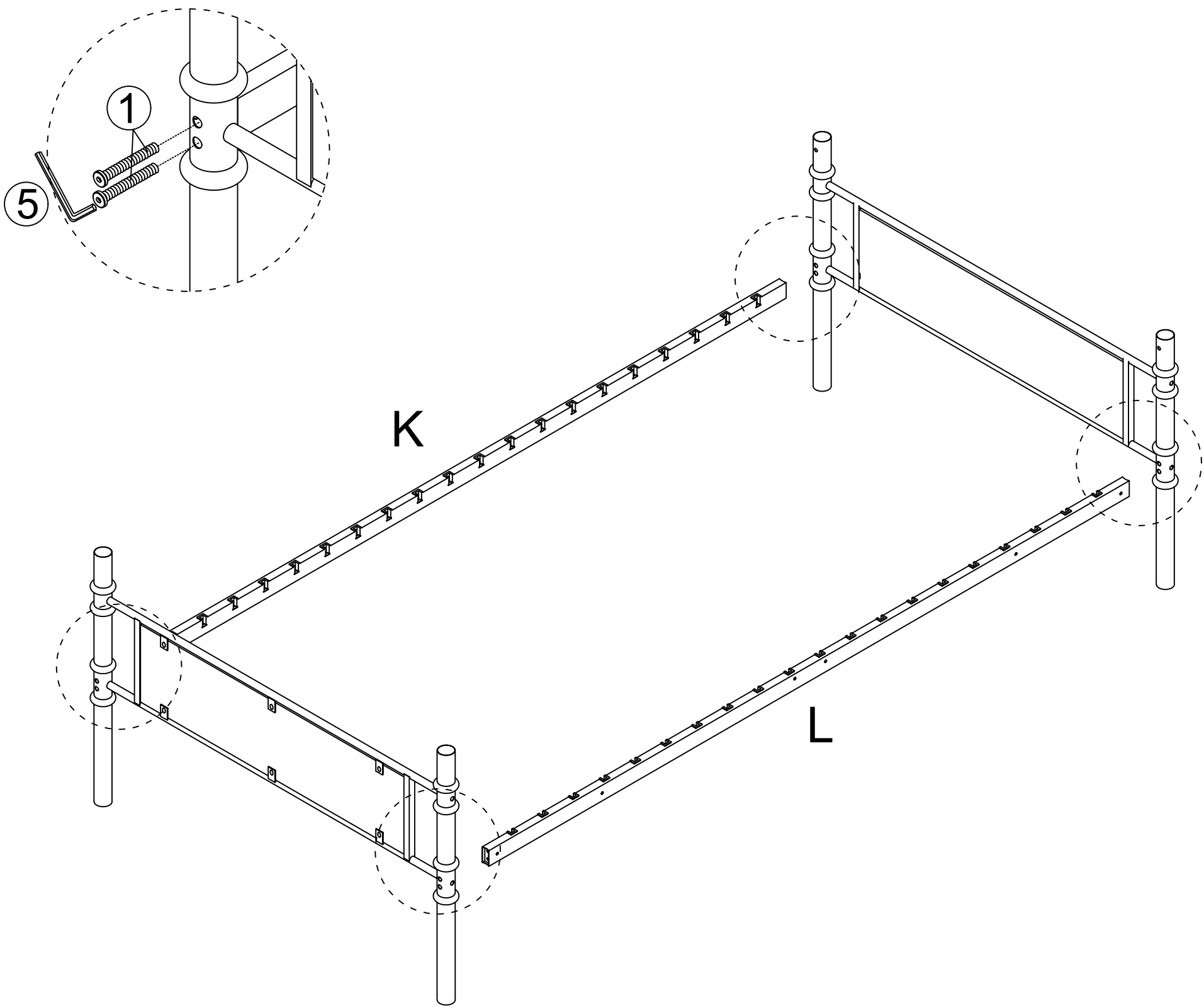


**Tip:** Please note that there are 2 different slats J (36PCS) and slats Q (4PCS).

**Tip:** After installing slats Q with Part "H" "I", it needs to be reinforced with screws. This step is very important please do not excape.

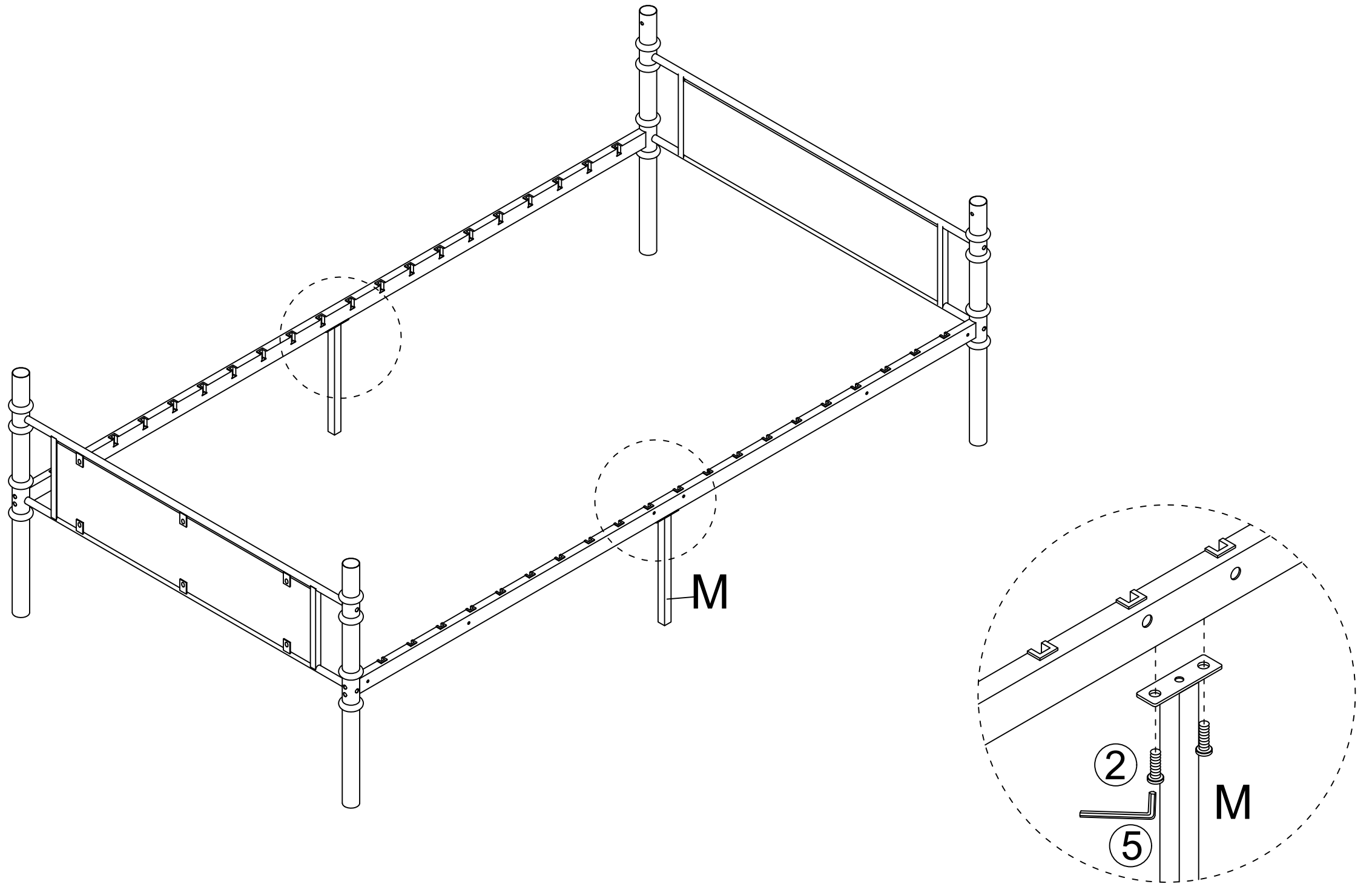
	④×4PCS
	⑥×1PC

# Step 7



	①×8PCS
	⑤×1PC

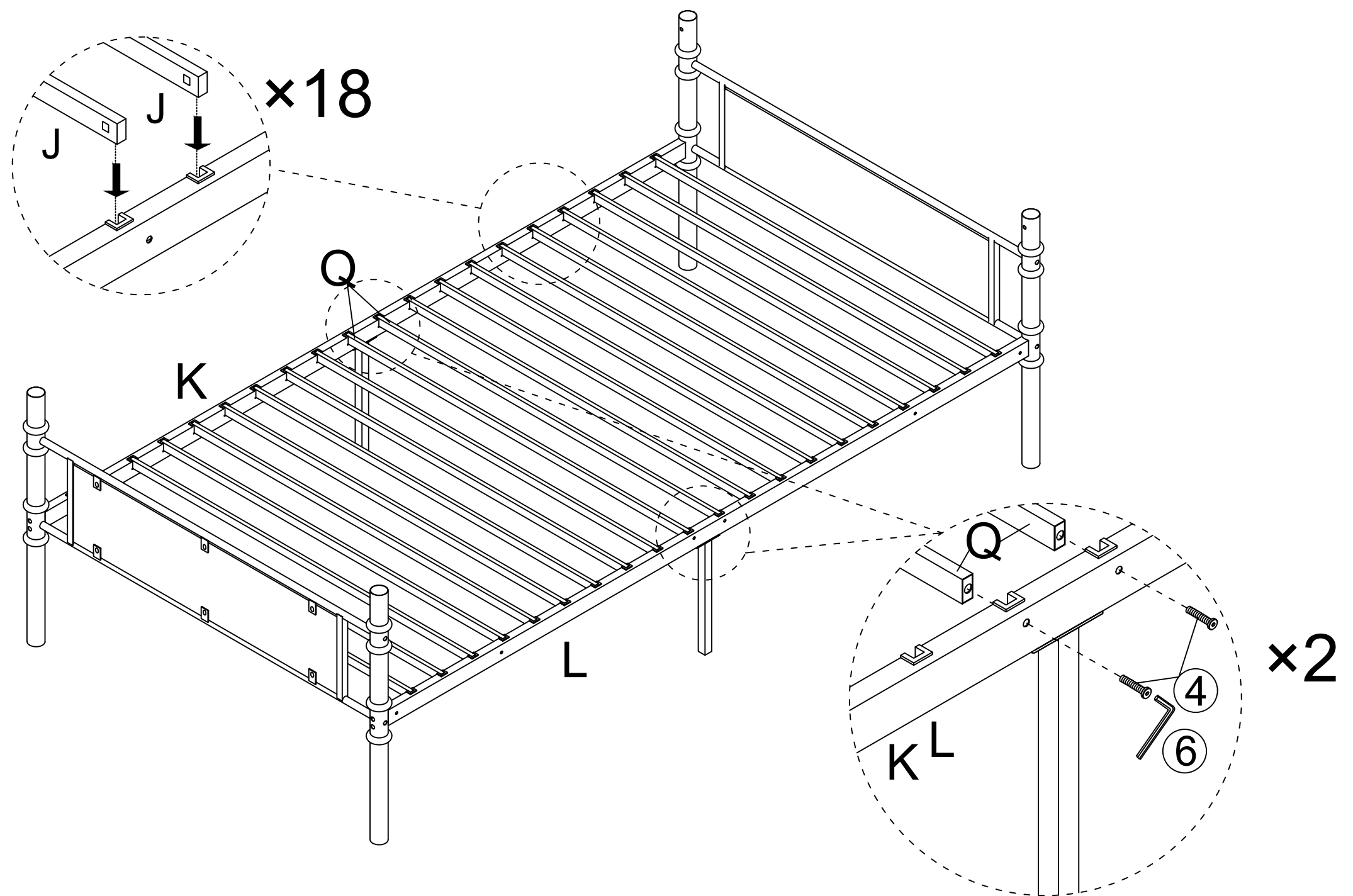
# Step 8



**Tip:** Please note that the support part M must be installed with Step 8 and Step 15 and Step 17, as it will increase the load-bearing capacity of the bed. This step is very important please do not excape.

	②×4PCS
	⑤×1PC

# Step 9

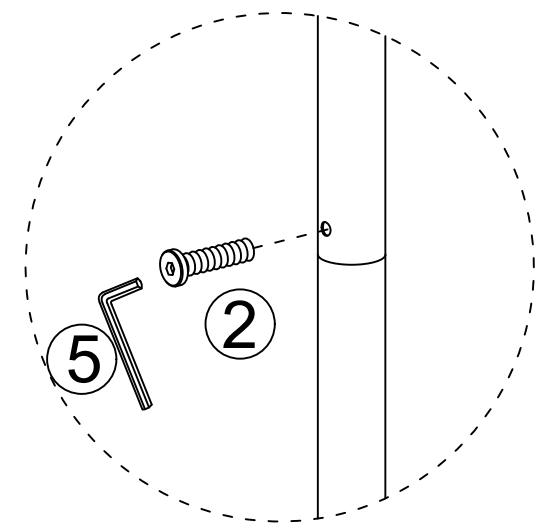
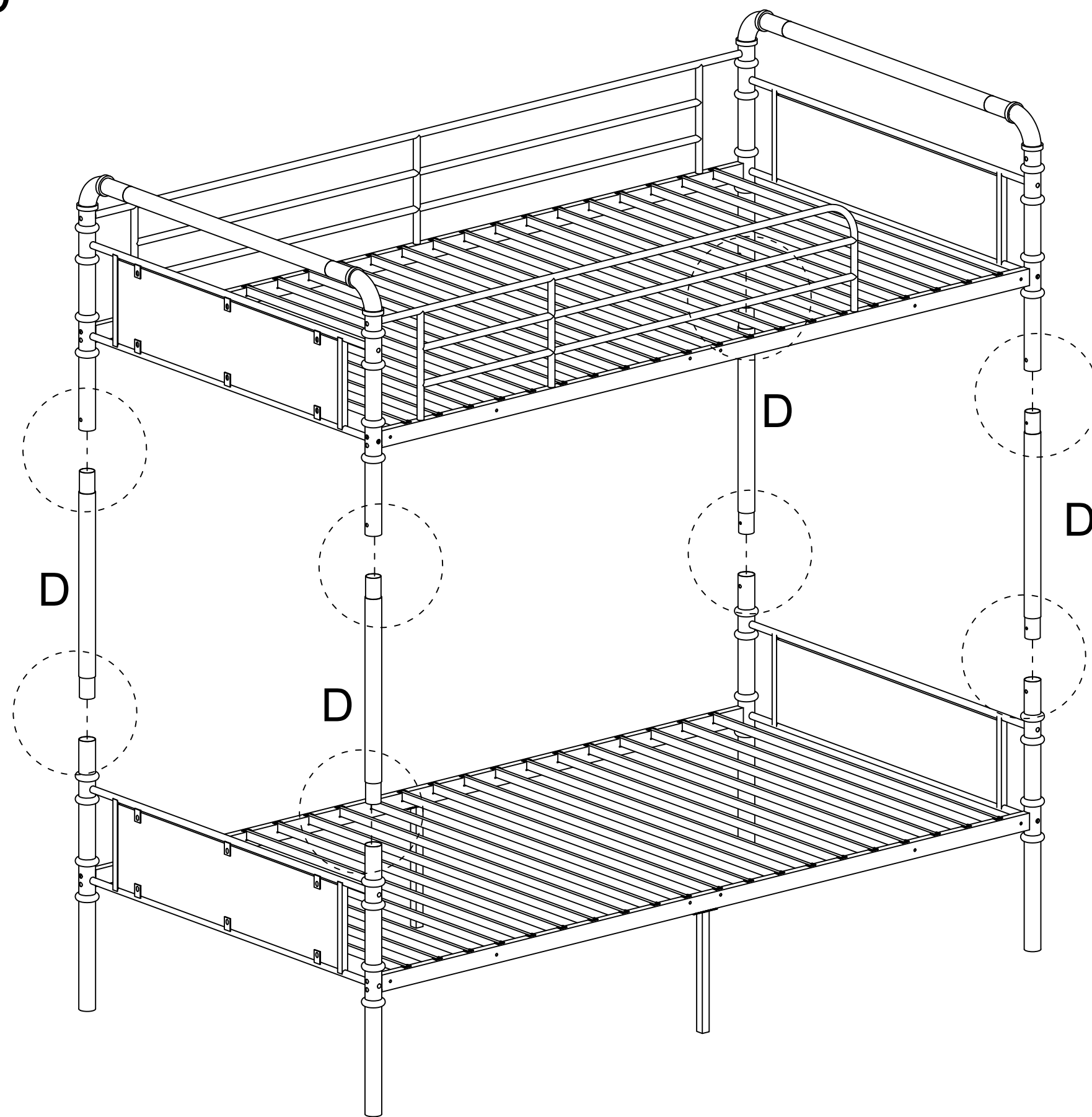




**Tip:** Please note that there are 2 different slats J (36PCS) and slats Q (4PCS).

**Tip:** After installing slats Q with Part "K" "L", it needs to be reinforced with screws. This step is very important please do not excape.

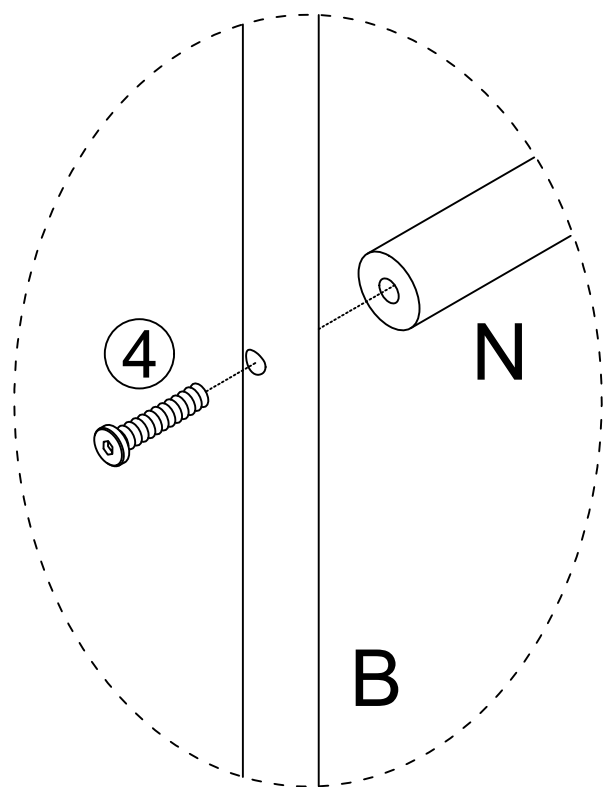
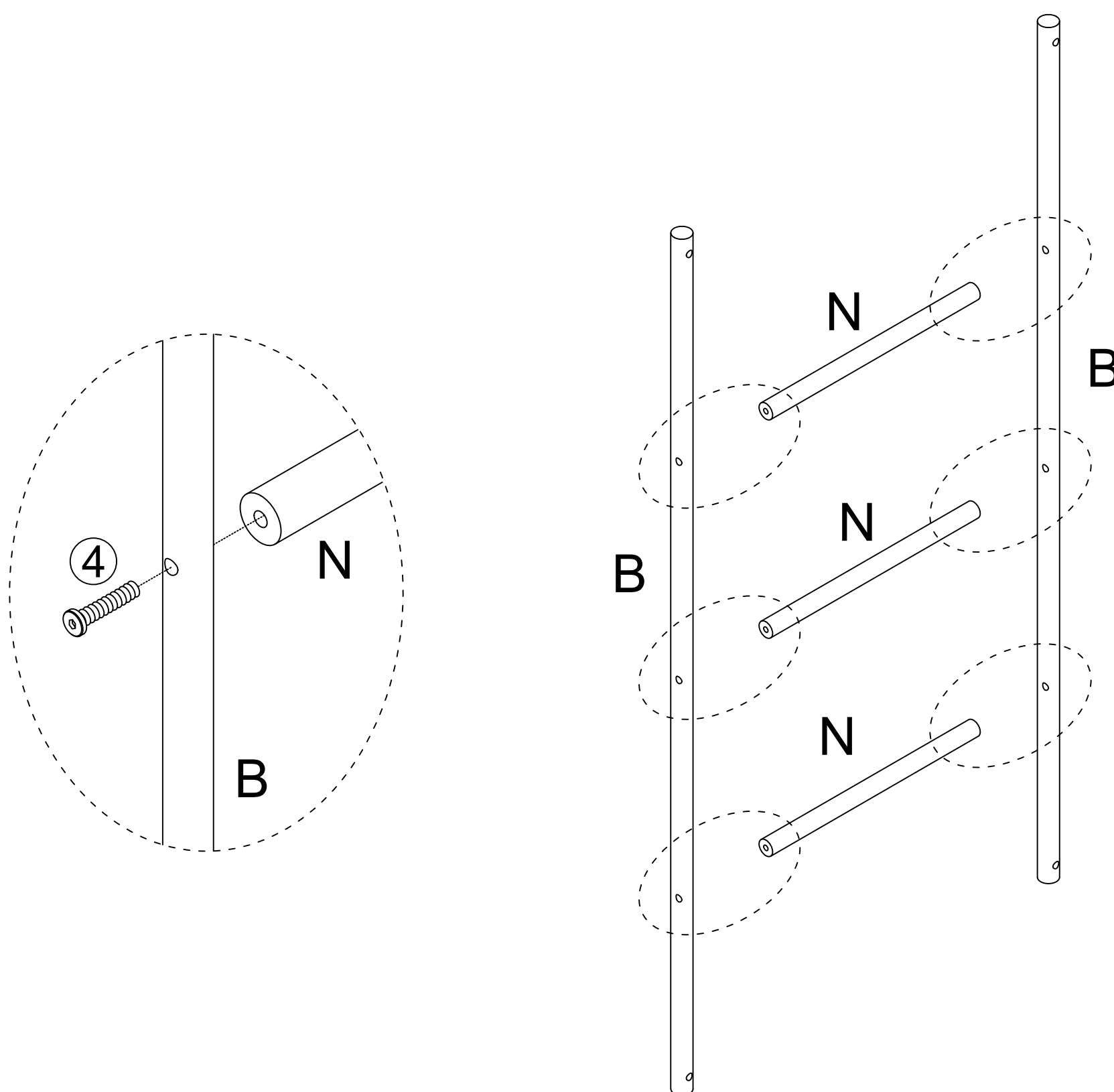
	④×4PCS
	⑥×1PC



# Step 10



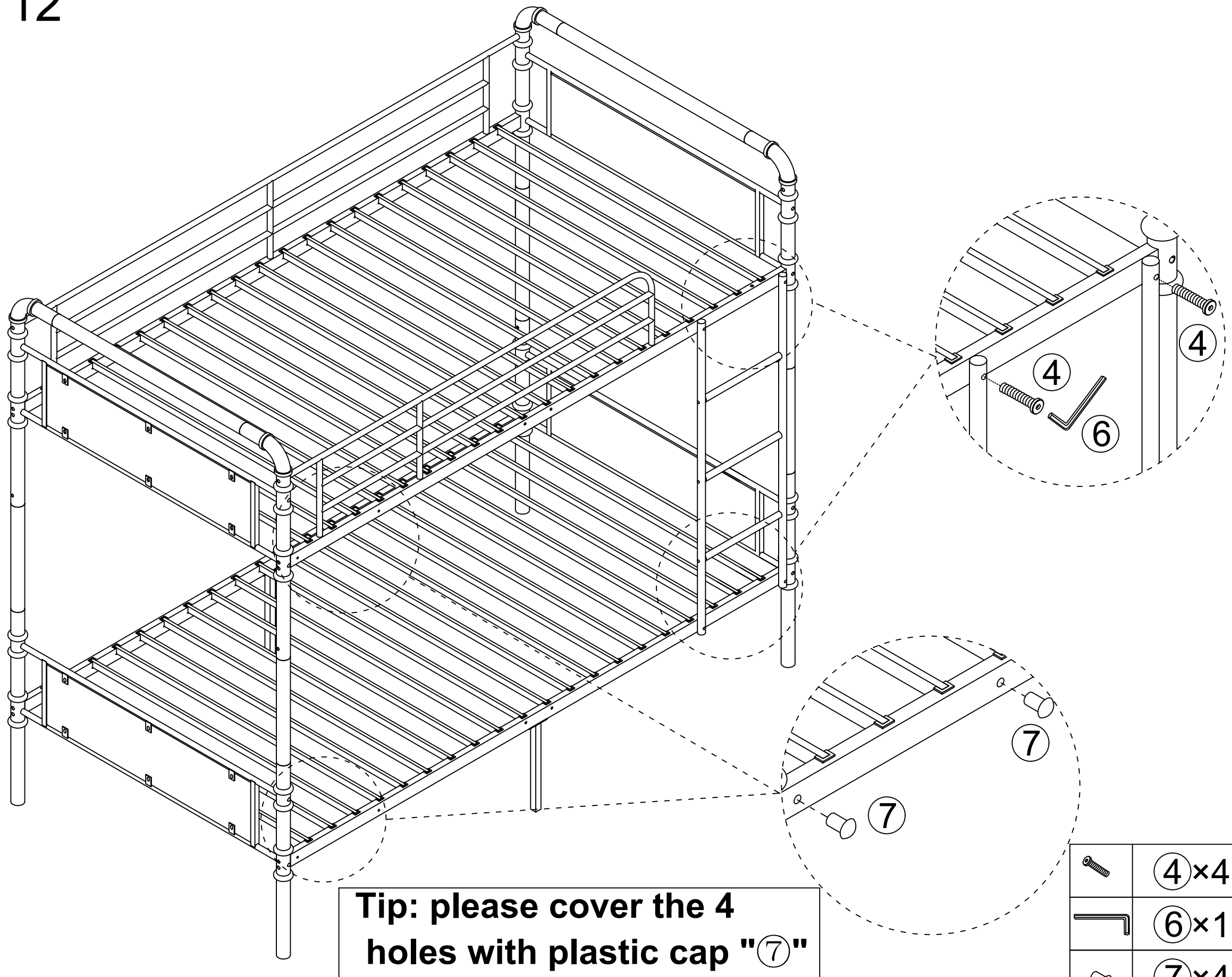
	②×8PCS
	⑤×1PC

# Step 11



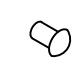


	④×6PCS
	⑥×1PC

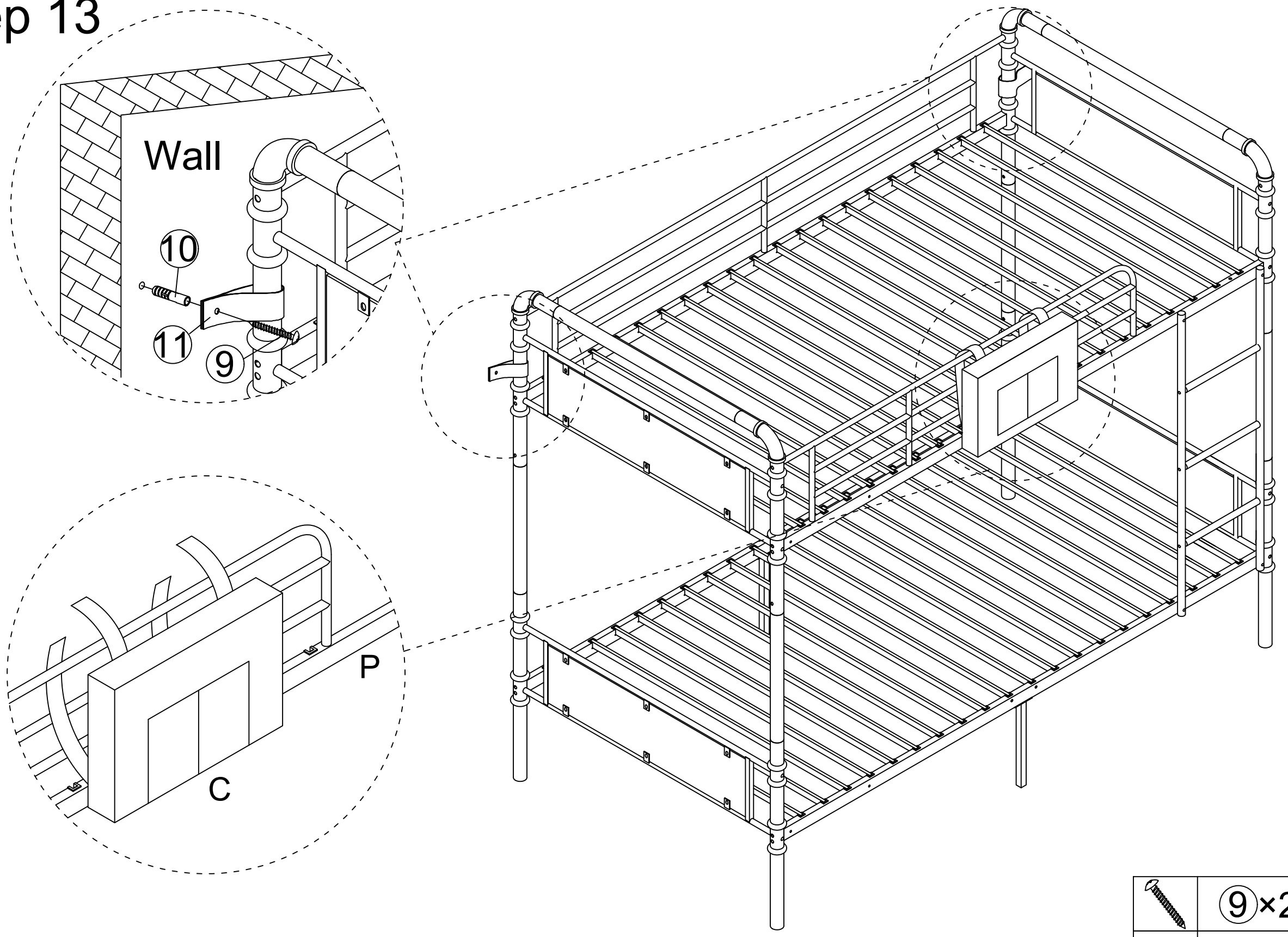
# Step 12






**Tip: please cover the 4 holes with plastic cap "7"**

	④×4PCS
	⑥×1PC
	⑦×4PCS

# Step 13

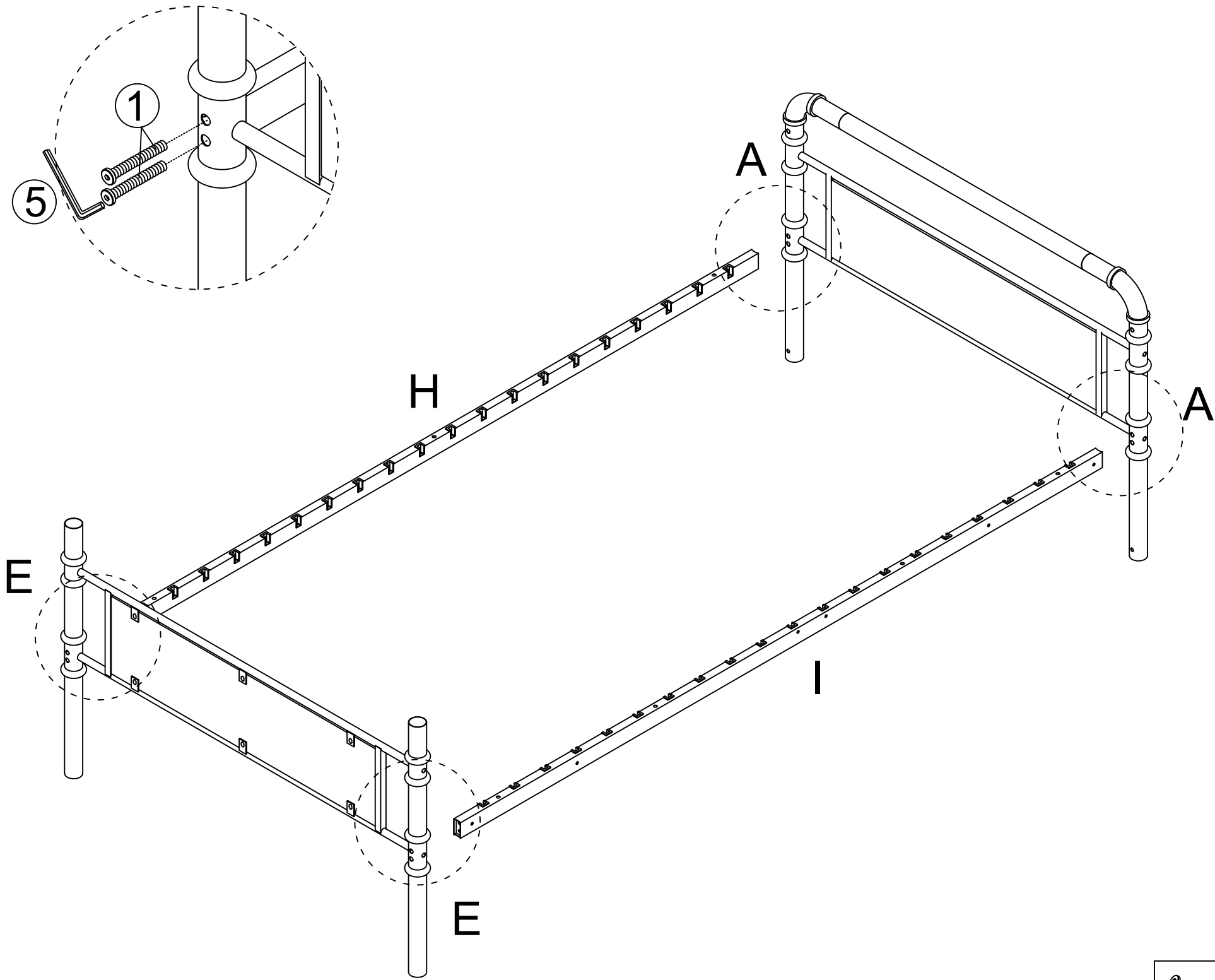




**Tip: Congratulation! You finished assemble of the Mode 1-bunk bed on the end this step.**

	⑨×2PCS
	⑩×2PCS
	⑪×2PCS

# Step 14

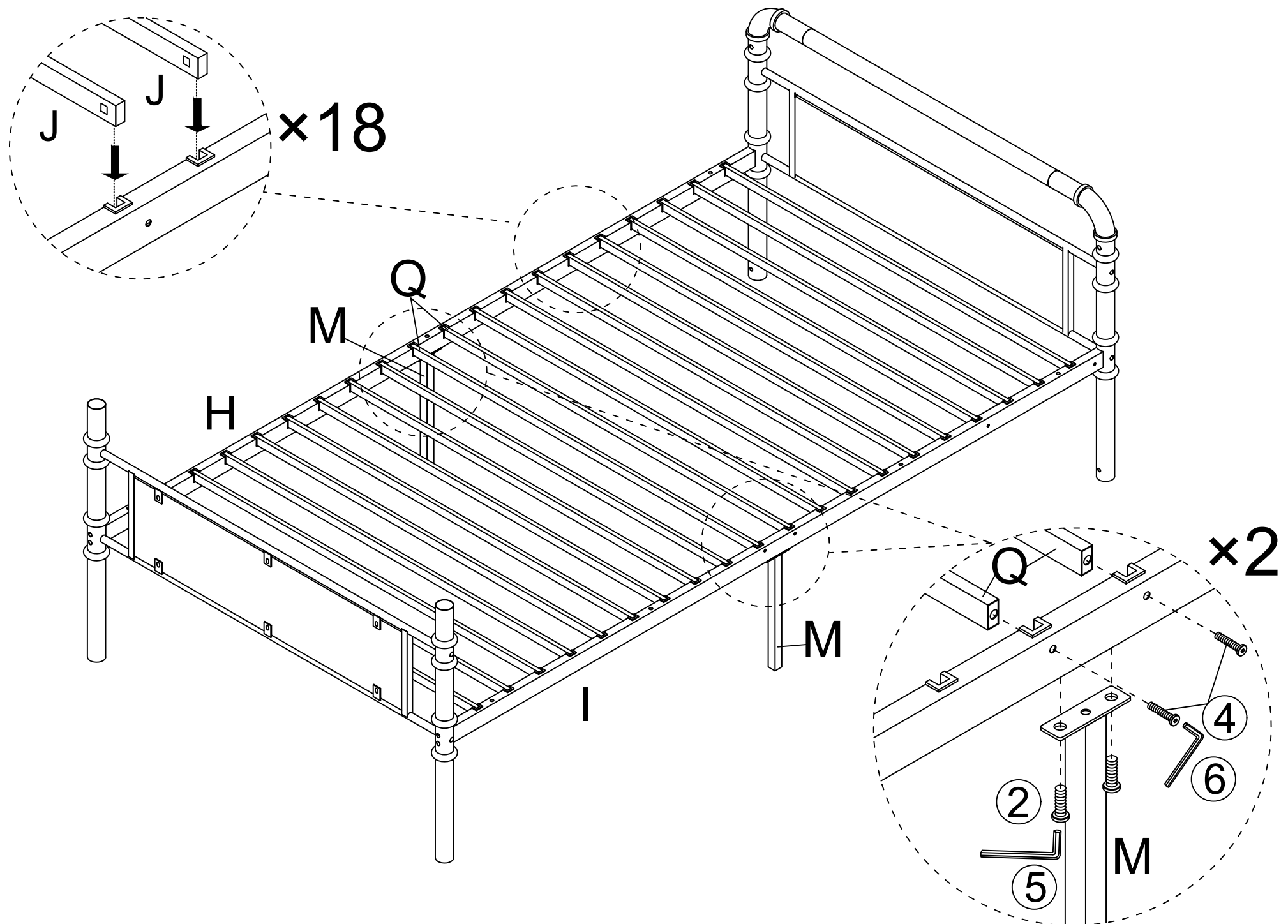
## Mode 2-A





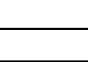
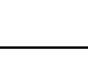
	①×8PCS
	⑤×1PC

# Step 15

## Mode 2-A

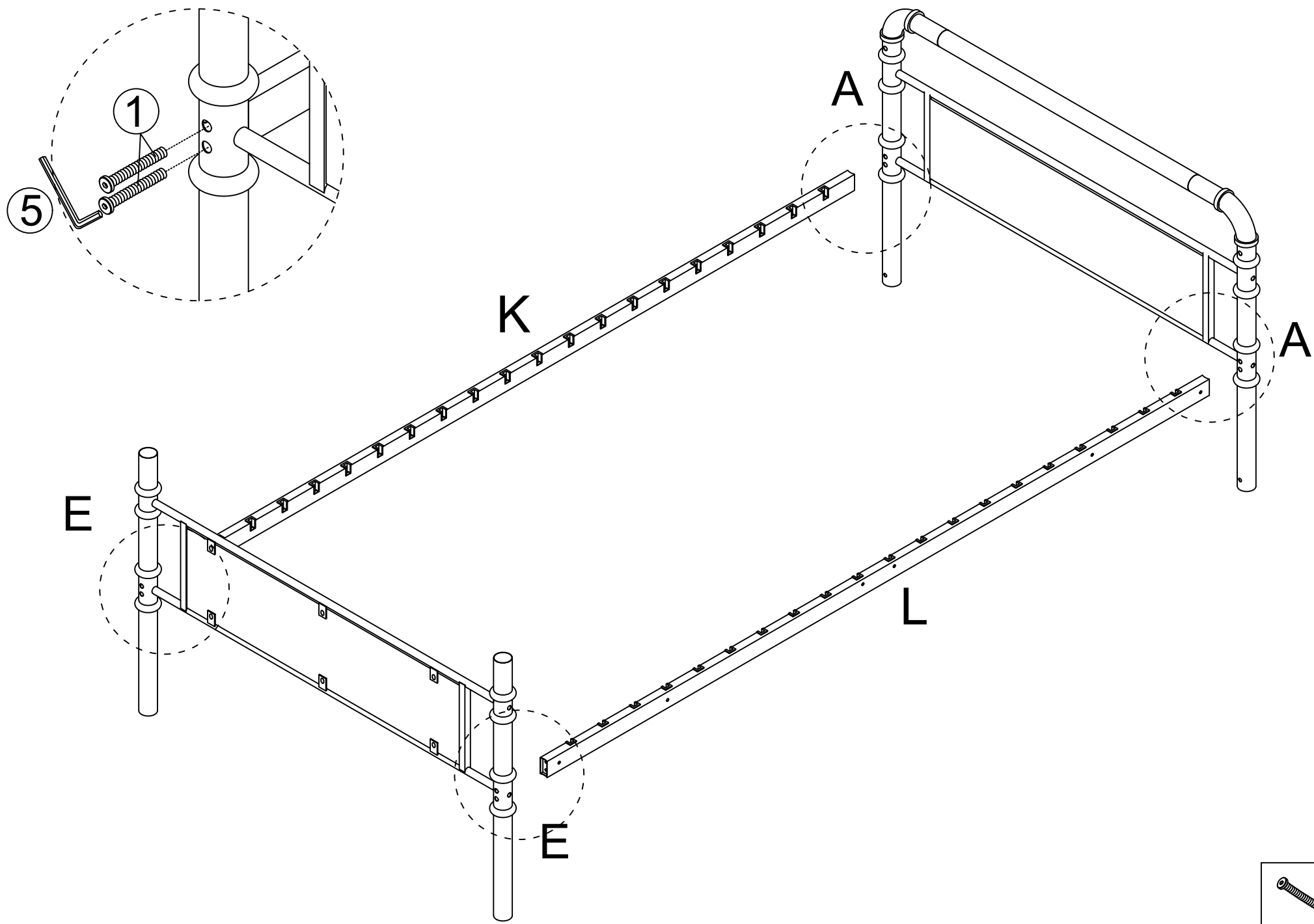




**Tip:**Please note that there are 2 different slats J (36PCS) and slats Q (4PCS).  
**Tip:**After installing slats Q with Part "H" "I", it needs to be reinforced with screws. This step is very important please do not escape.  
**Tip:**Please note that the support part M must be installed with Step 8 and Step 15 and Step 17, as it will increase the load-bearing capacity of the bed.

	②×4PCS
	④×4PCS
	⑤×1PC
	⑥×1PC

# Step 16

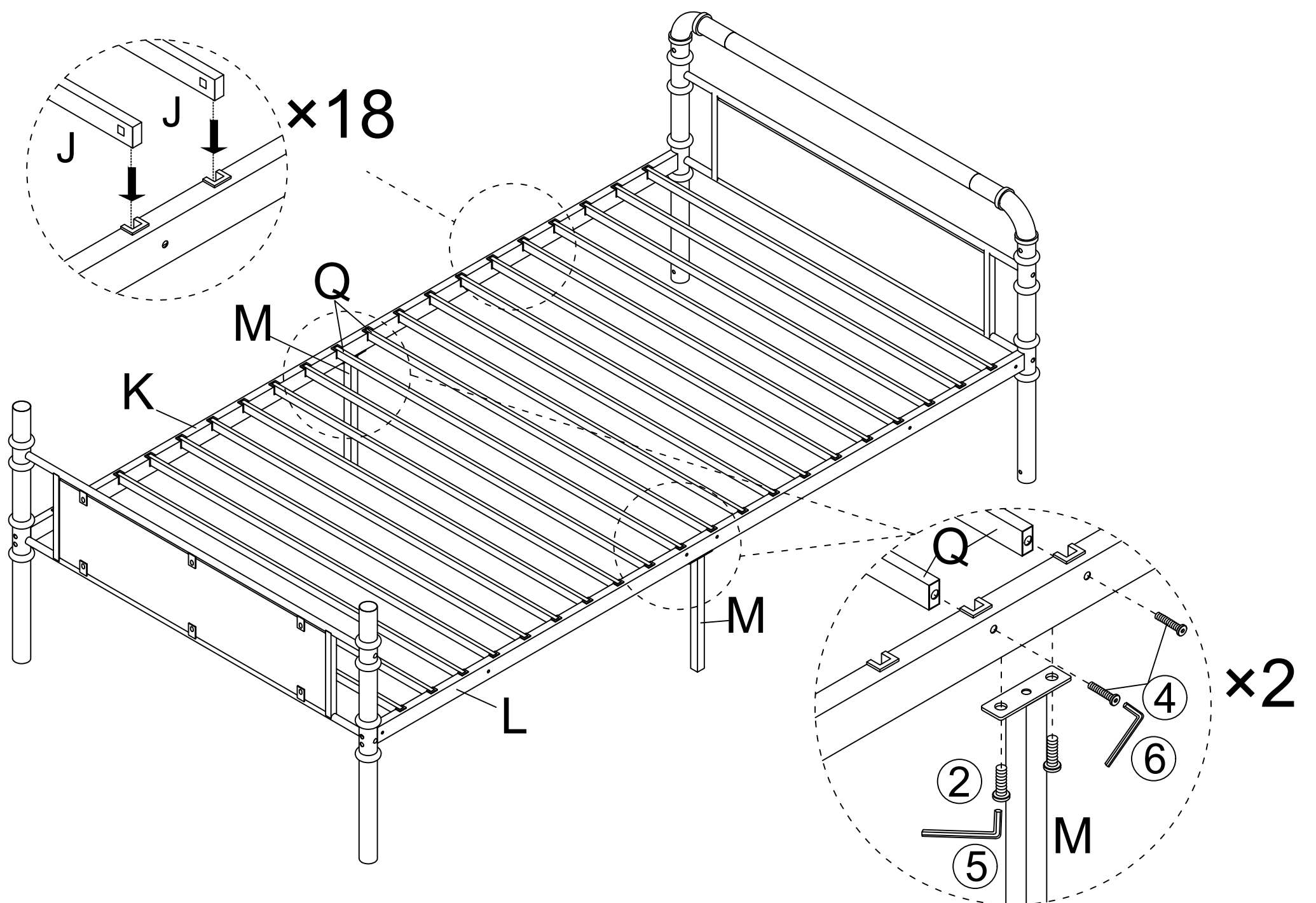
## Mode 2-B





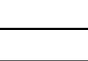
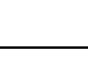
	①×8PCS
	⑤×1PC

# Step 17

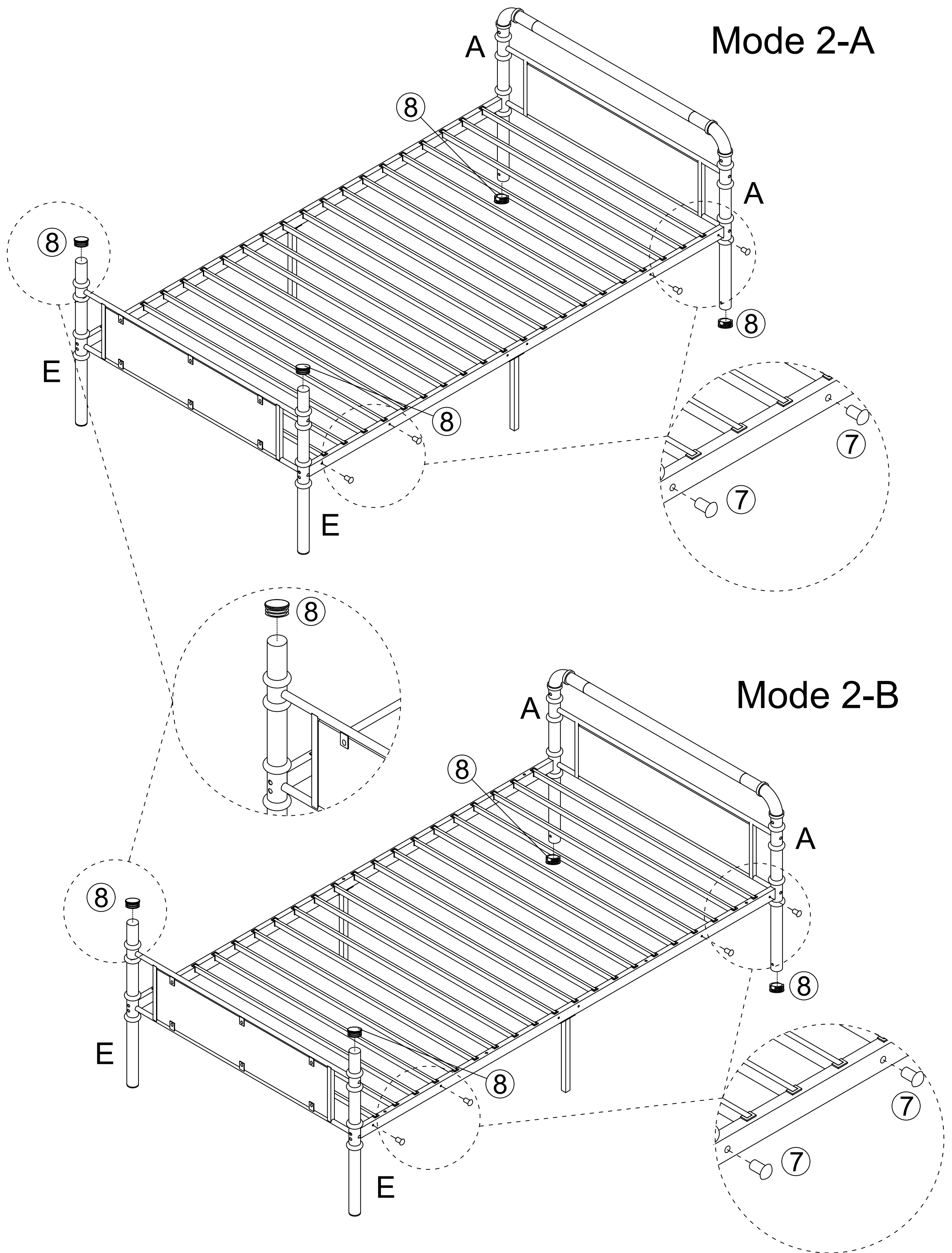
## Mode 2-B



**Tip:**Please note that there are 2 different slats J (36PCS) and slats Q (4PCS).  
**Tip:**After installing slats Q with Part "K" "L", it needs to be reinforced with screws. This step is very important please do not escape.  
**Tip:**Please note that the support part M must be installed with Step 8 and Step 15 and Step 17, as it will increase the load-bearing capacity of the bed.

	②×4PCS
	④×4PCS
	⑤×1PC
	⑥×1PC



# Step 18



**Tip: 1.please cover the top of part “E”, also the bottom of part “A” with the plastic caps “8”as the picture shown.**

**2.please cover 8 holes on part “I” and “L” with plastic caps “7” as the picture shown.**

**3. Congratulation! You finished assemble of the Mode 2-two single bed on the end of this step.**

	⑦×8PCS
	⑧×8PCS