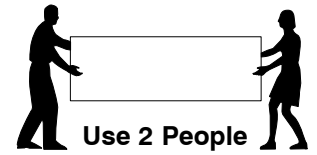
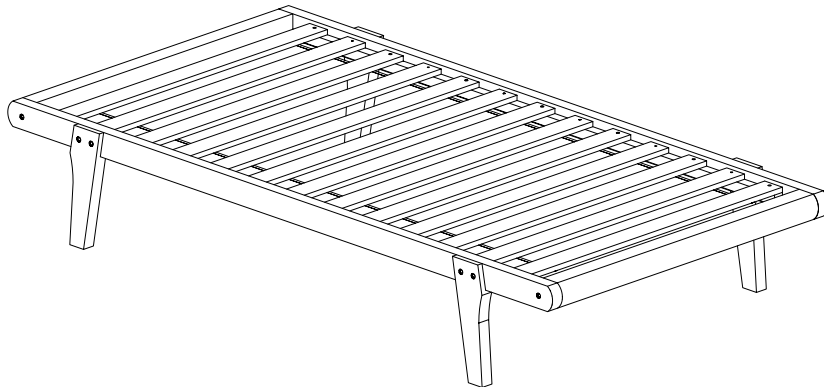


Twin Bed

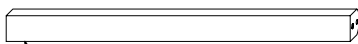
Assembly Instructions

1 Assembled View



Note: Do not assemble using power tools. This can cause the bolts to be overtightened

2 Parts List



A Headboard /
Footboard Panel
x 2



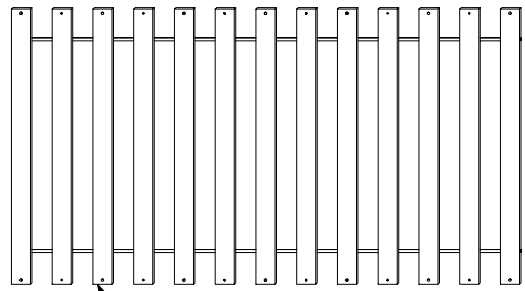
D Side Rail x 2



B Post
(Right hand) x 2



C Post
(Left Hand) x 2

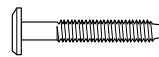


E Set of Bed Slats
x 1

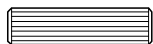
3 Hardware List



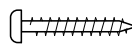
1 M6 x 60mm JCB
x 4



2 M6 x 40mm JCB
x 22



3 Wood Dowel
(M10 x 40mm)
x 4



4 Wood Screw
(M4 x 32mm)
x 12



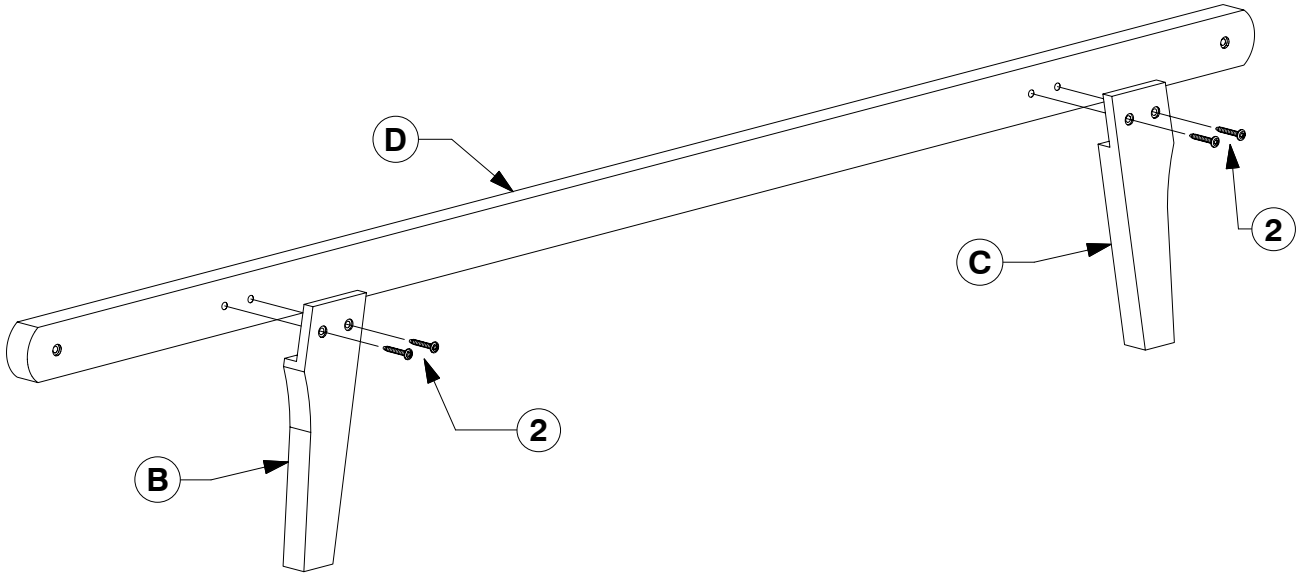
5 Allen Key
x 1

Twin Bed

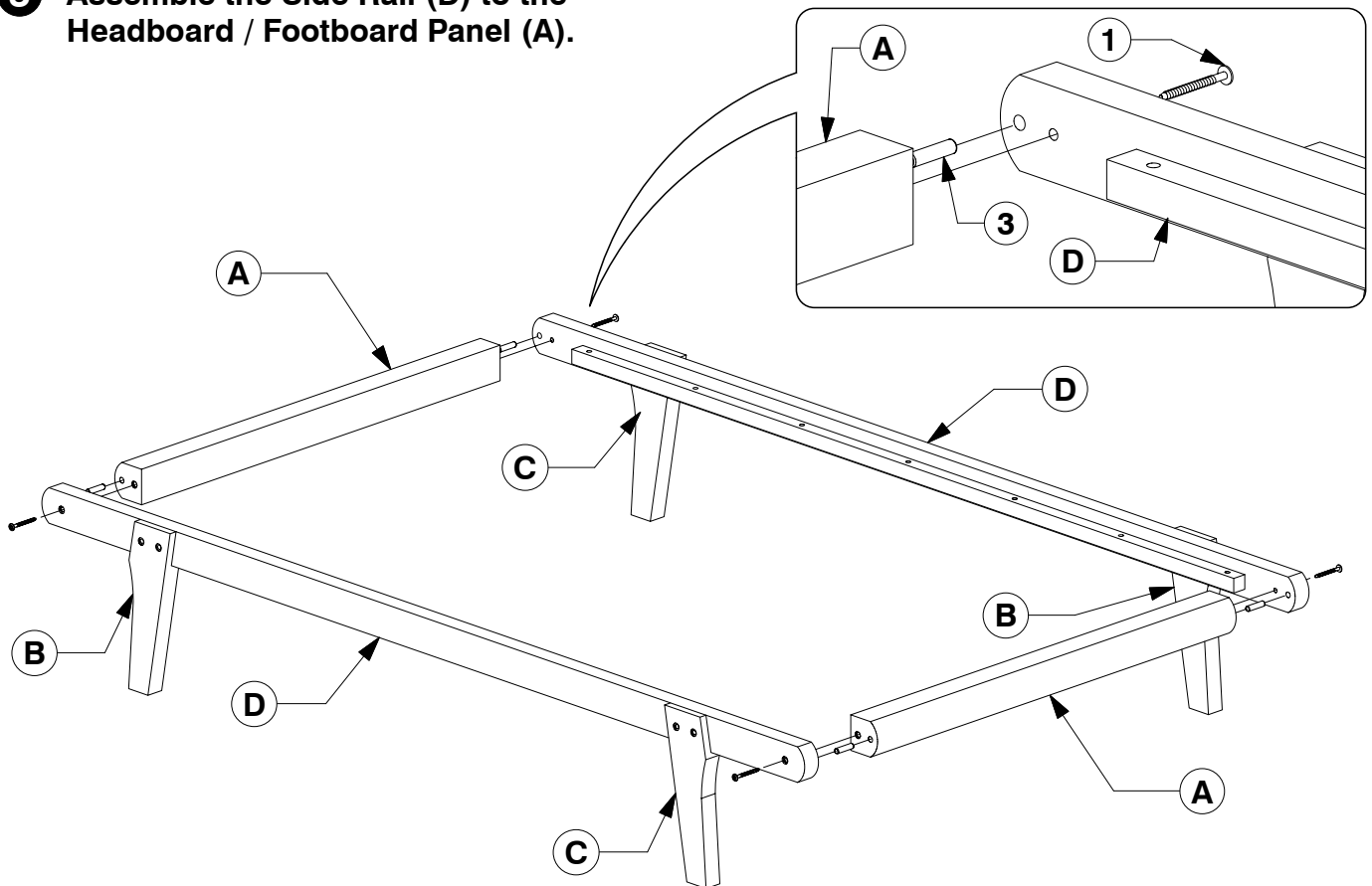
Assembly Instructions

- 4** Assemble the Post (B & C) to the Side Rail (D).

x2



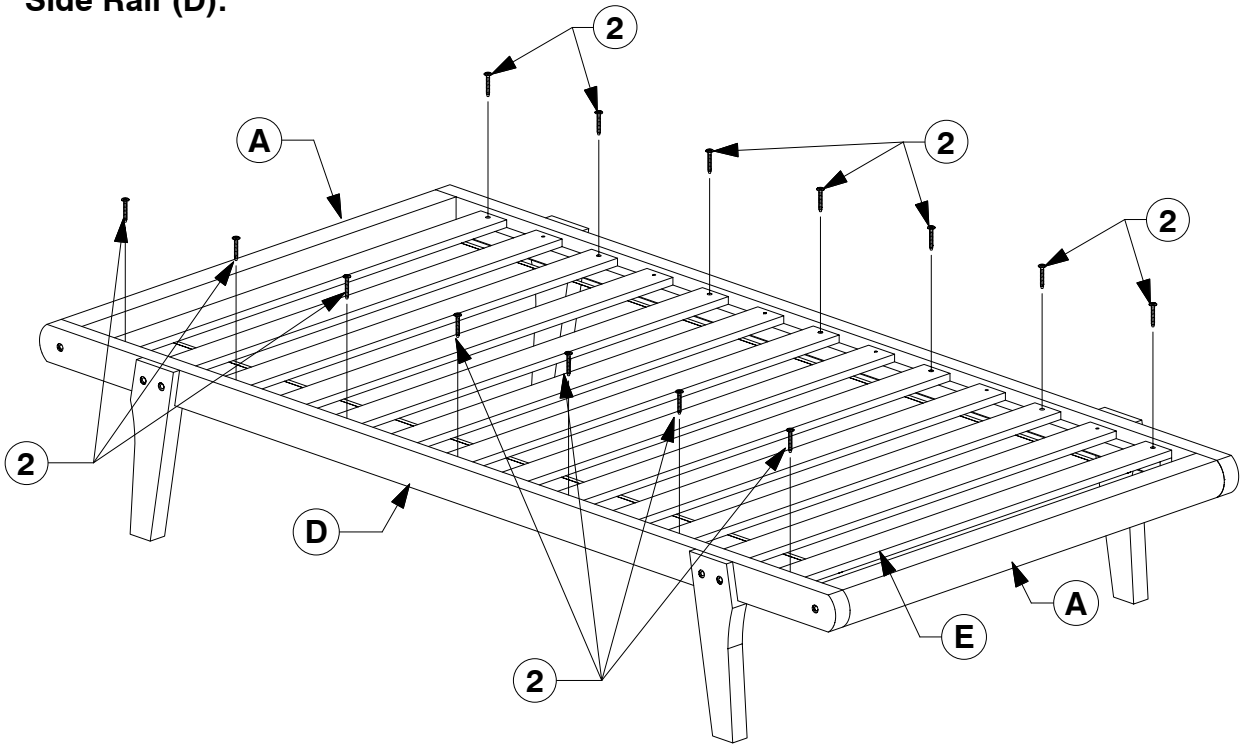
- 5** Assemble the Side Rail (D) to the Headboard / Footboard Panel (A).



Twin Bed

Assembly Instructions

- 6 Bolt the Bed Slats (E) to the Side Rail (D).**



- 7 Screw the Bed Slats (E) to the Side Rail (D).**

