

# INSTRUCTION MANUAL

## Maintenance instruction:

### Doors:

- 1.Clean with pure cotton cloth, use brush to clean the curve seam.Solid wood board should be cleaned with furniture wax.
- 2.Open the door and drawer of the bathroom cabinet with proper force. Do not open and close rapidly.

### Main Cabinet:

- 1.Keep the cabinet door open for 15 to 20 days before use and ventilate properly to remove residual odor.
- 2.Do not use sharp objects to scrape and knock the surface of the cabinet. Avoid long-term direct sunshine to the bathroom cabinet to avoid partial color difference.
- 3.Avoid direct water sprinkling on cabinet body.Keep dry,reasonable dry and wet partition to avoid paint surface damage and cabinet body expansion.

### Vanity Top:

- 1.Stonetop does not absorb water,dirt and radiate. It will be bright and clean with just a little cleaning.
- 2.Diamond is usually cleaned and maintained with neutral detergent or toothpaste. The 2000 # water sandpaper can be softened in the water and water mill partially if scratches or fouling occur. After finishing, drying the surface with dry cloth ,coating with wax, and polishing with silk fabrics,the surface will be bright as clean.
- 3.Porcelain sink can be cleaned with water and detergent, such as detergent, soap water and so on. Porcelain sink surface should always be kept clean. Dust and gravel should be removed in time to prevent abrasion. When there are slight scratches on the surface of ceramic basin, a little toothpaste can be applied on the scratches. The

### Inlet & Drainage:

- 1.Keep the sewer unobstructed and prevent blockage.Call professional plumping company to clear it.
- 2.The joint-line of the basin and vanity-top should be kept dry.Wipe with cloth if there is water stain.
- 3.Pay attention to the expire date of hoses, sealing materials and other materials, and replace them in time.
- 4.Check frequently whether there is leakage in the taps and basins. When running, leaking, dripping and leaking occur, it should be repaired and handled in time.



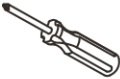

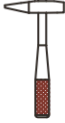

### Hardware:

- 1.Avoid direct spraying of strong acid and alkaline solution on hardware.Wipe it immediately when it happens.
- 2.Keep the hinge opening and closing freely and clean. Keep the sliding rails of drawer freely and clean.

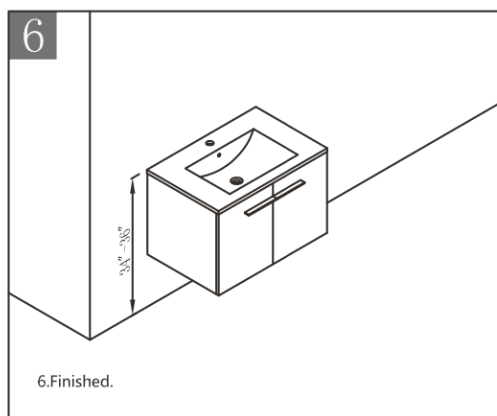
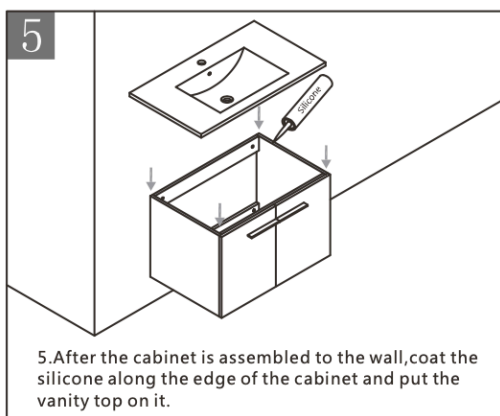
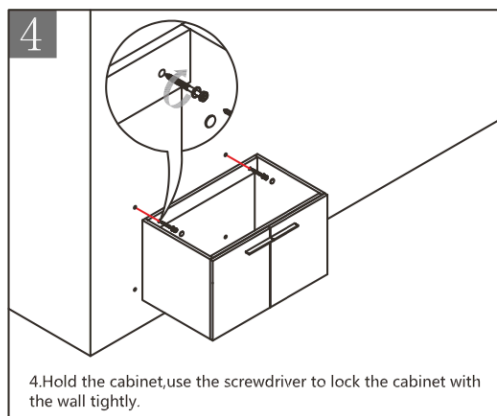
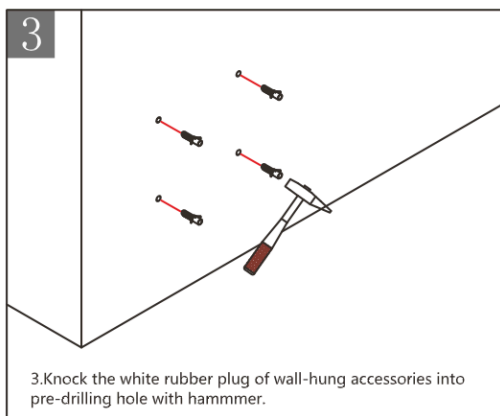
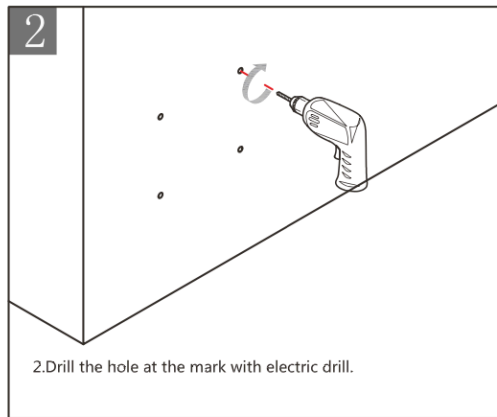
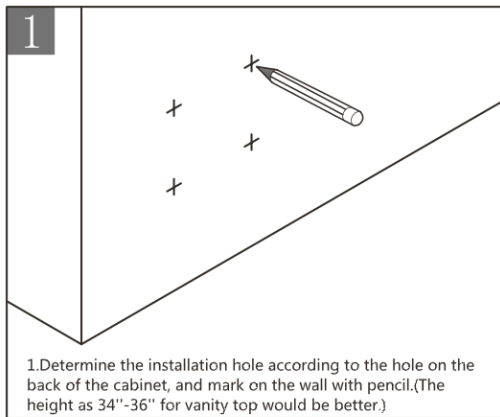
### Attention:

- 1.Check the surface of the products and the accessories before installation. This product should be installed by professionals to prevent brutal construction.
- 2.Confirm whether the inlet and drainage outlet is appropriate and interference.
- 3.Keep the air circulation in bathroom, try to keep the space dry and wet separately and avoid water sprinkling. If there are water droplets, wipe them with cloth in time.
- 4.Prevent screwdrivers and other metal objects from scratching the surface of the plate when installing.
- 5.Use neutral detergent and dry them with soft cotton cloth when cleaning the cabinet.
- 6.The wall of bathroom cabinet must be load-bearing wall.

## Installation tools that may need :

					
Electric Drill	Pencil	Screwdriver	Silicone	Hammer	Steel tape

# Wall-hung cabinet installation instruction



## Wall-hung cabinets 45 degree docking installation instruction

