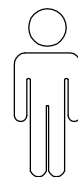
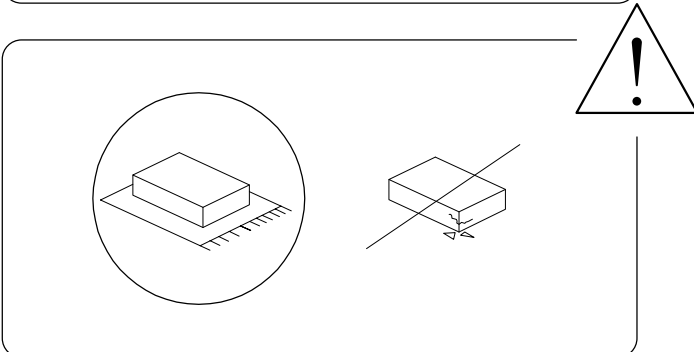
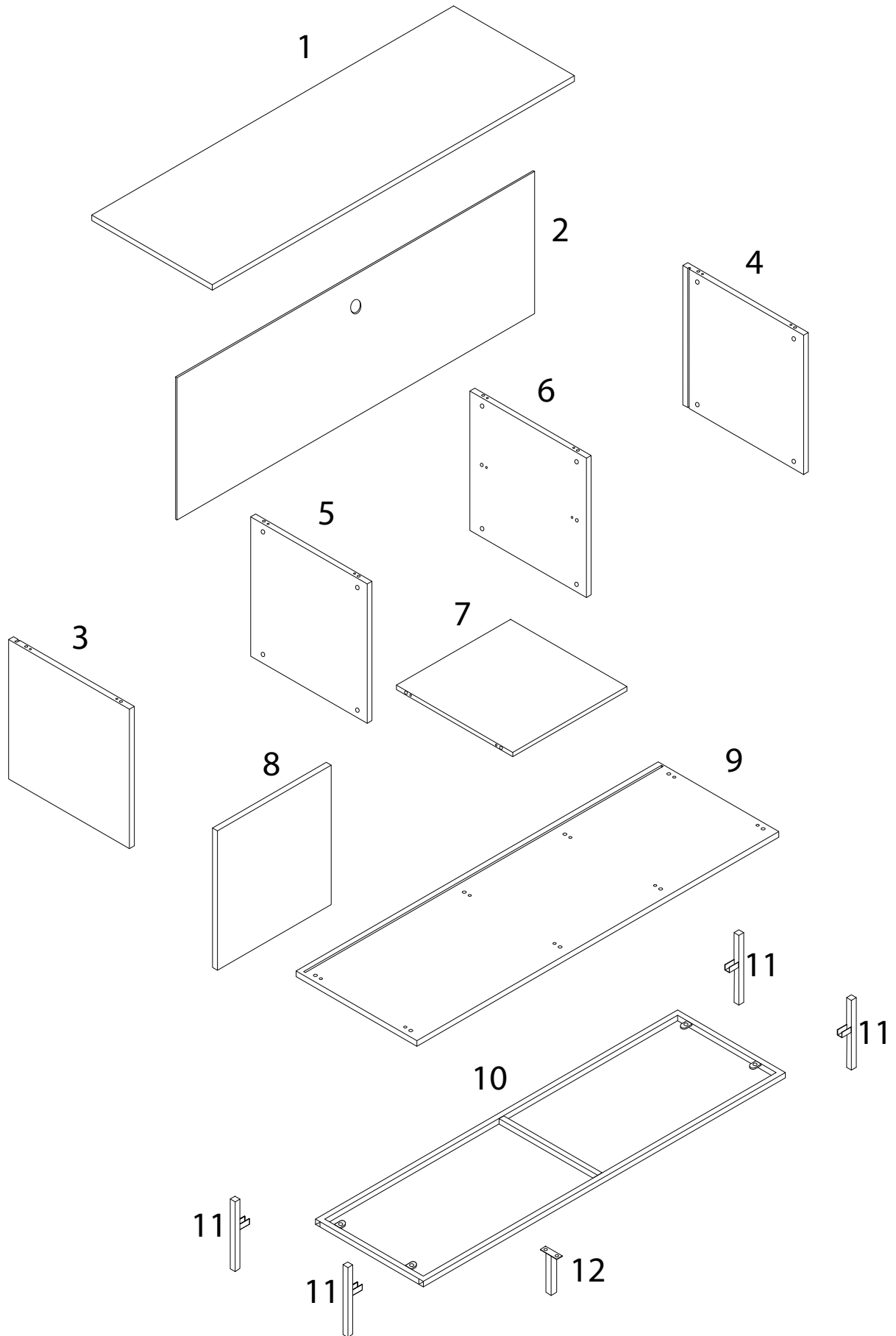


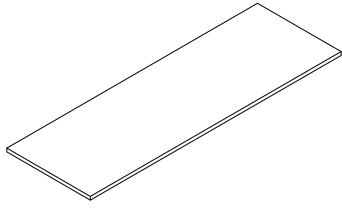
45'



2

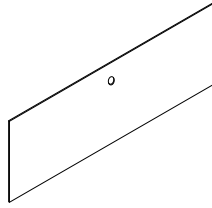


1



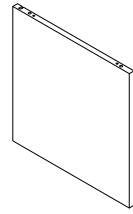
x 1

2



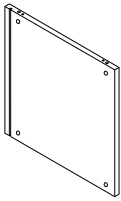
x 1

3



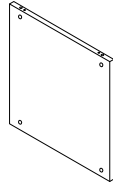
x 1

4



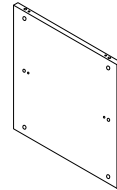
x 1

5



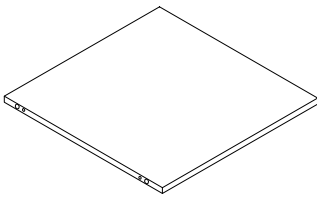
x 1

6



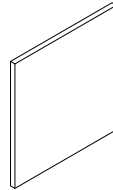
x 1

7



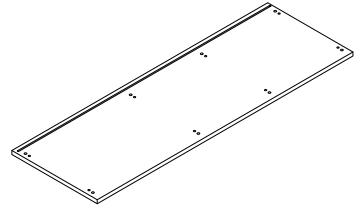
x 1

8



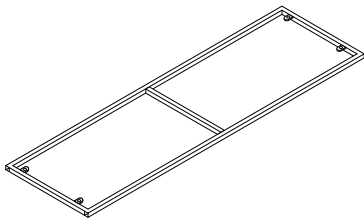
x 1

9



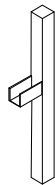
x 1

10



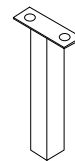
x 1

11



x 4

12



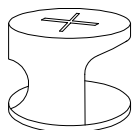
x 1

A



x 20

B



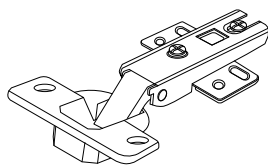
x 20

C



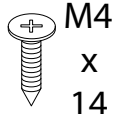
x 20

D



x 2

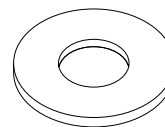
E



M4  
x  
14

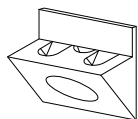
x 18

F



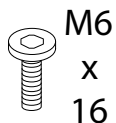
x 14

G



x 4

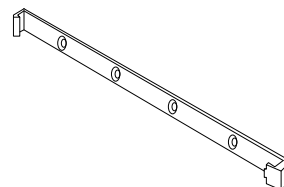
H



M6  
x  
16

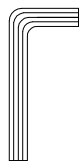
x 14

I



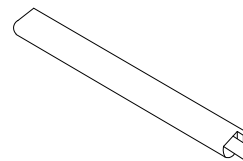
x 1

J



x 1

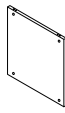
K



x 1

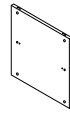
1

5



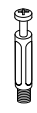
x 1

6

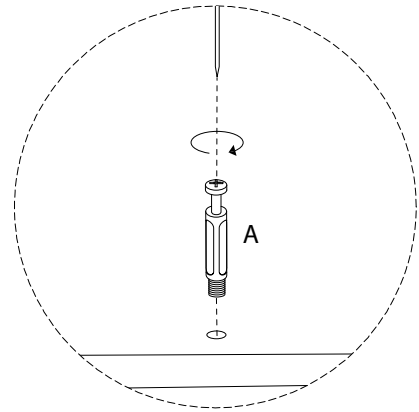
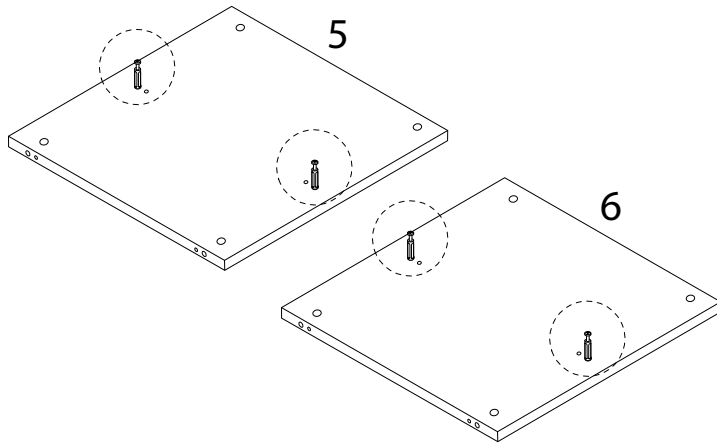


x 1

A

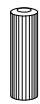


x 4

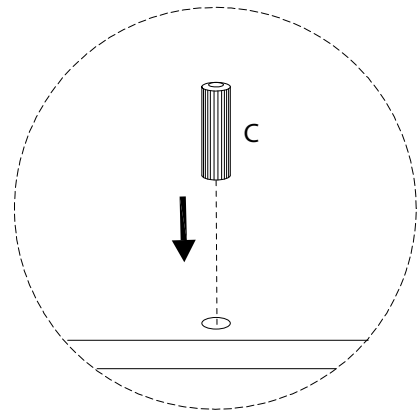
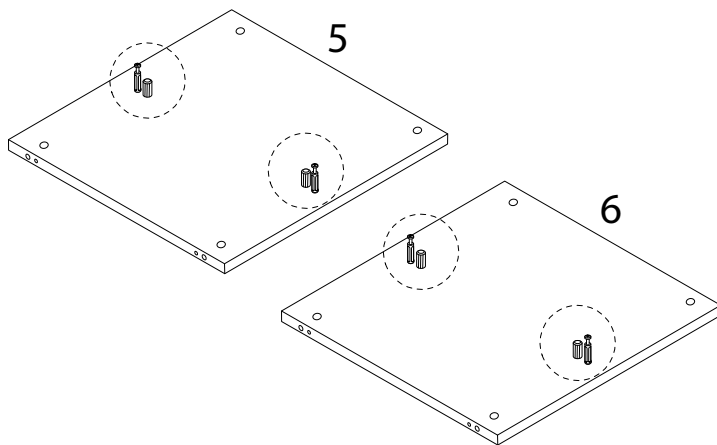


2

C



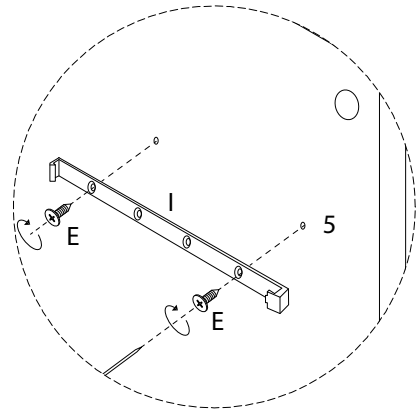
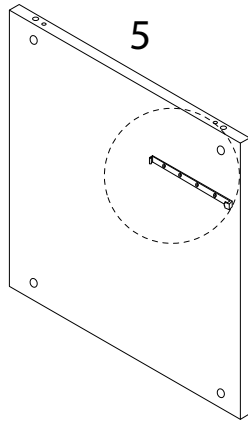
x 4



3

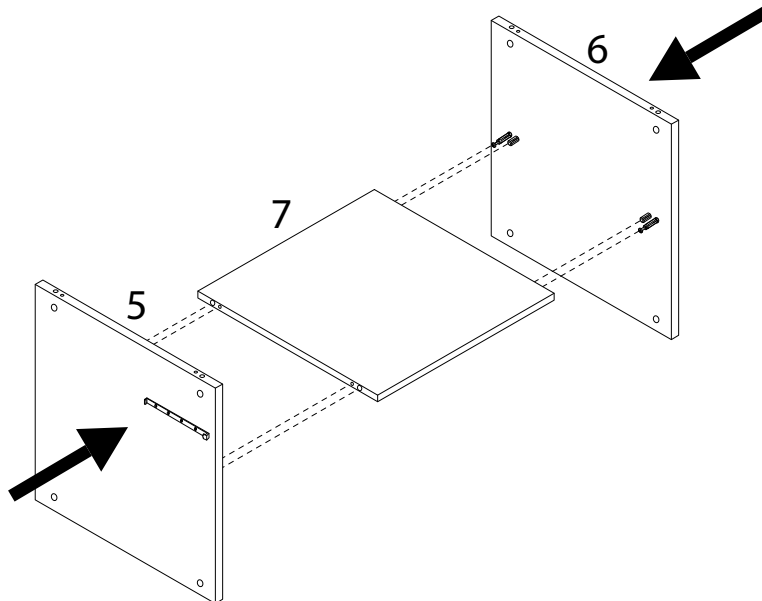
E  
M4  
x  
14  
x 2

I  
x 1



4

7  
x 1

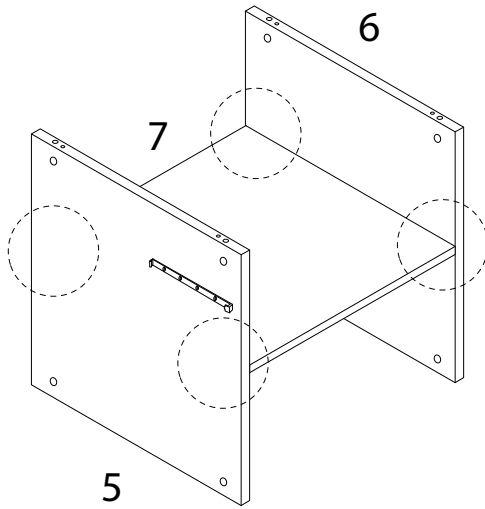


5

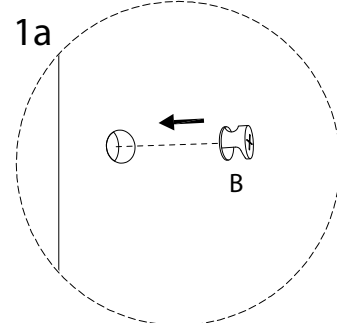
B



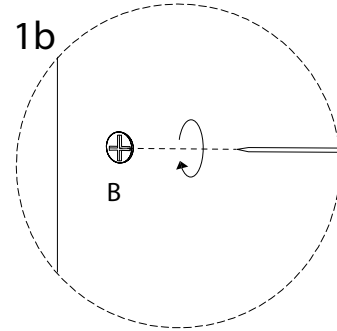
x 4



1a

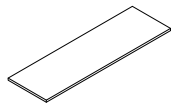


1b



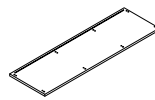
6

1



x 1

9

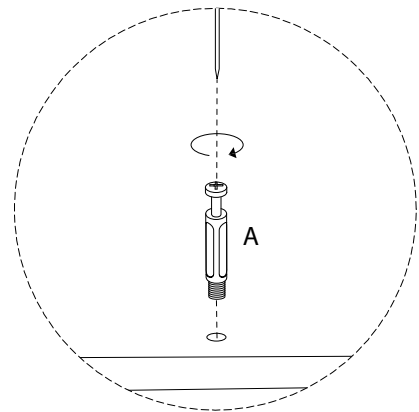
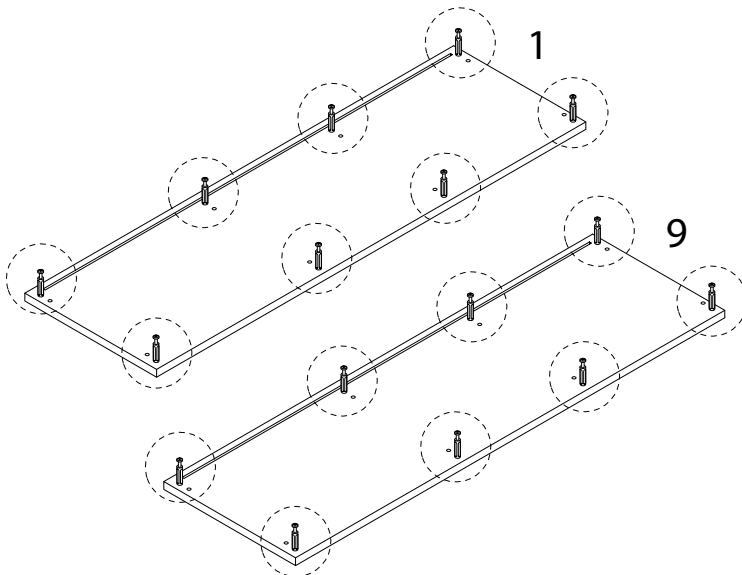


x 1

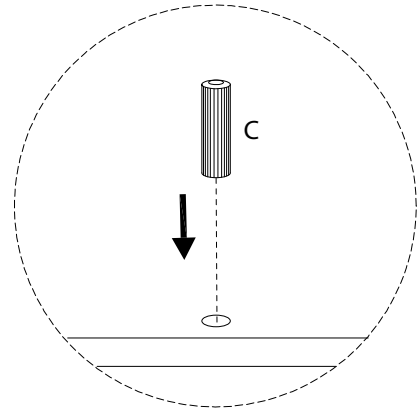
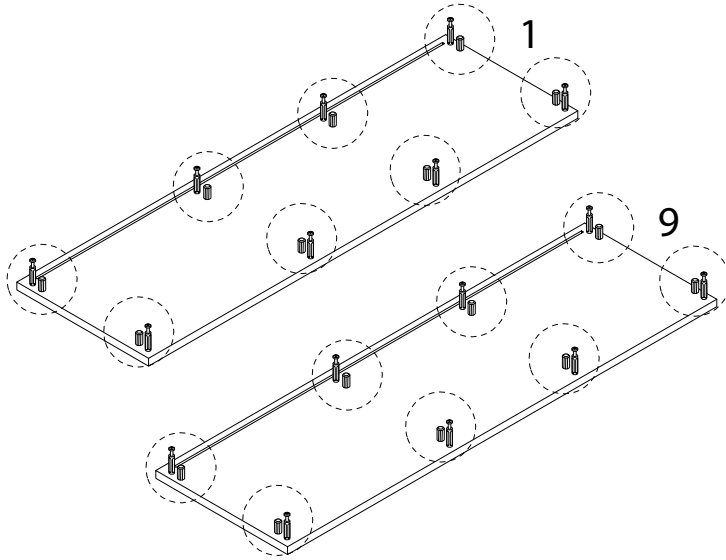
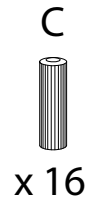
A



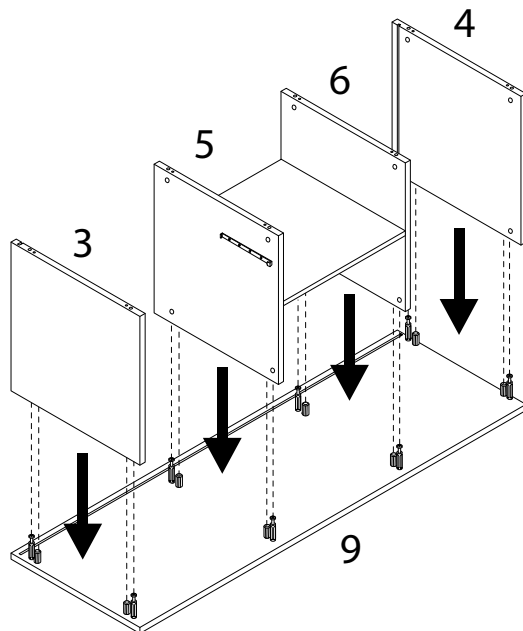
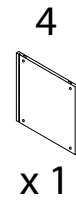
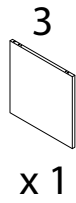
x 16



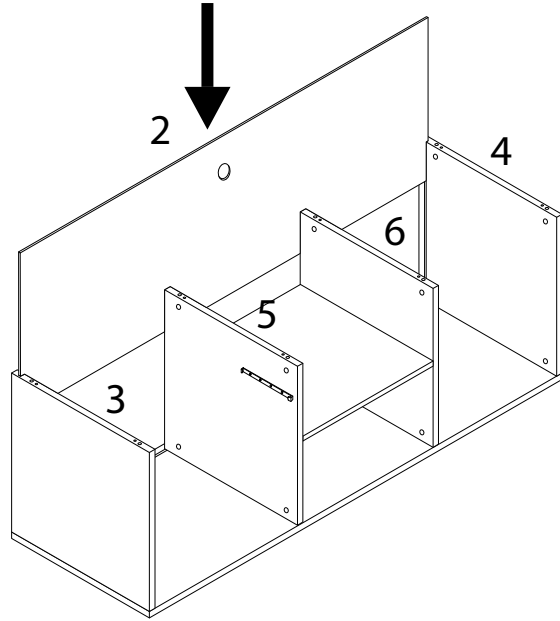
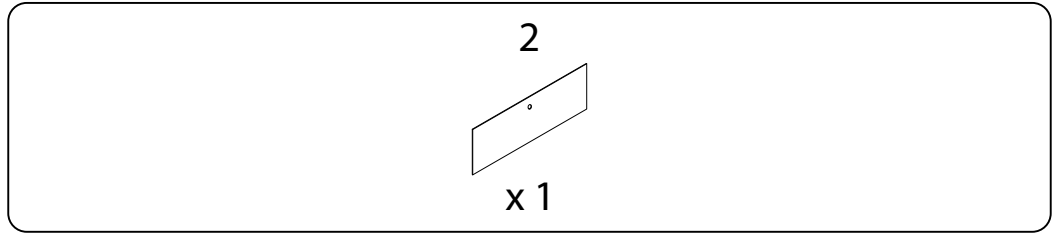
7



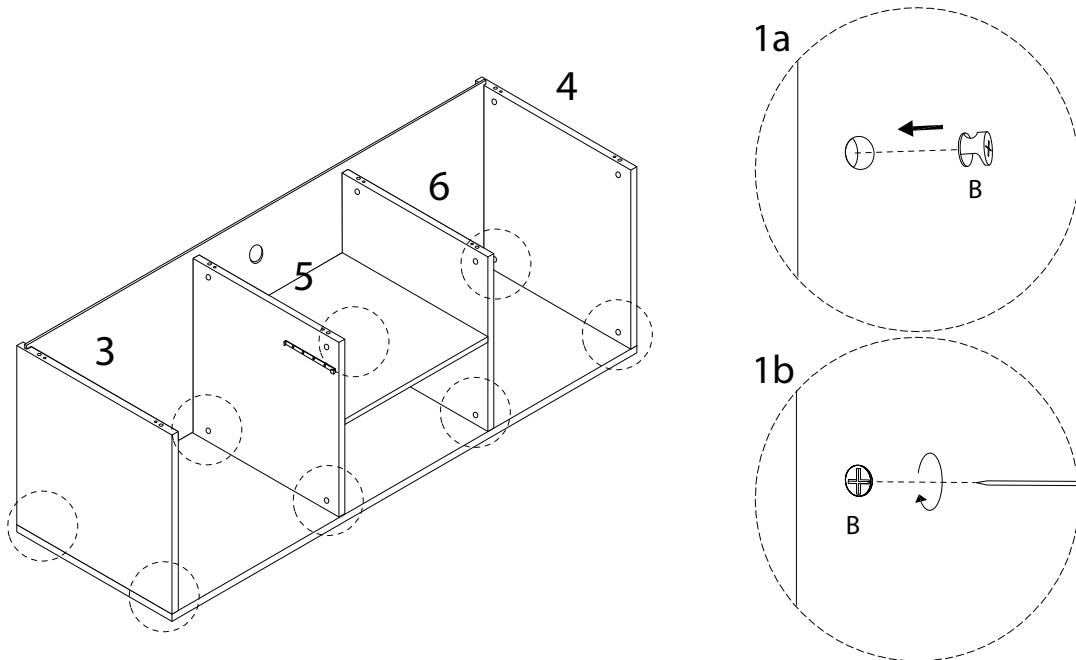
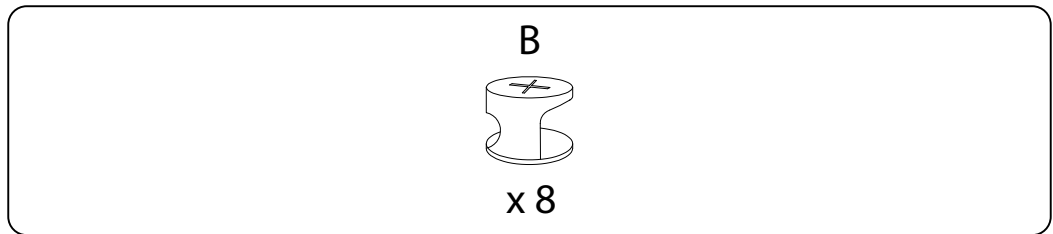
8



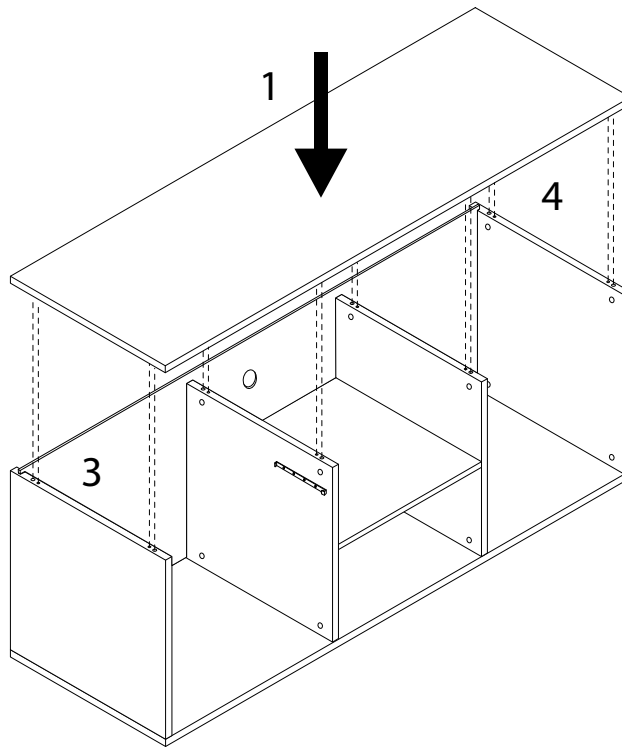
9



10



11

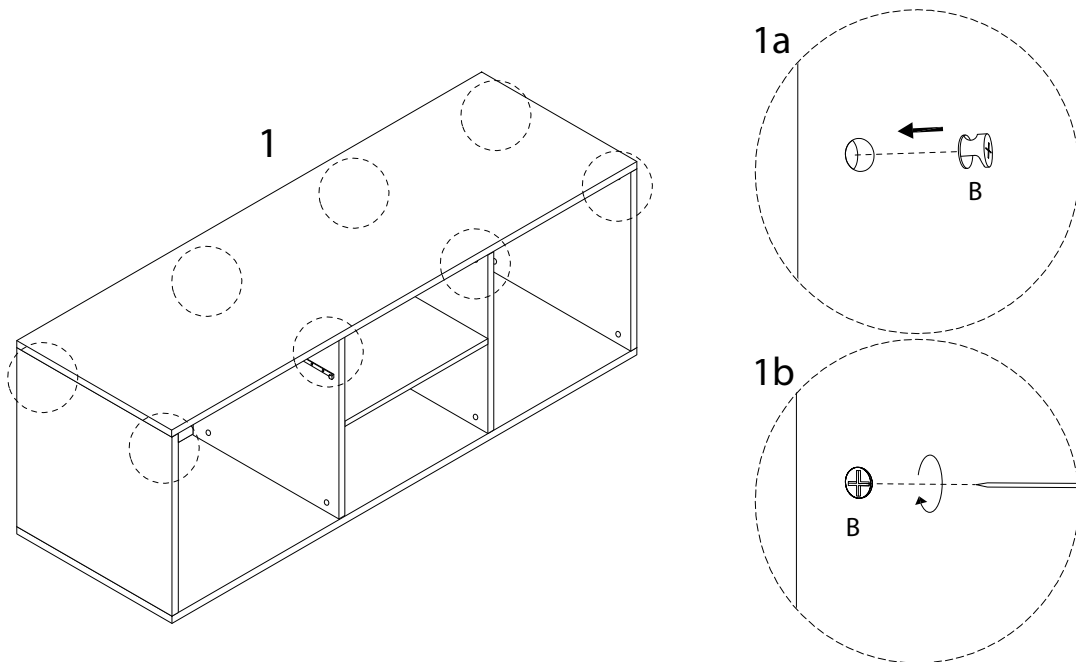


12

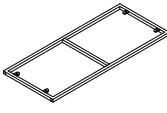
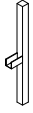
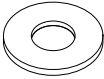
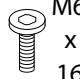
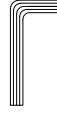
B

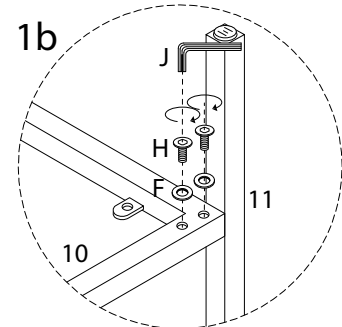
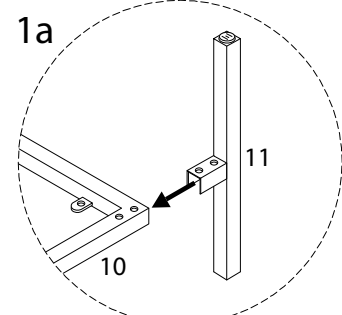
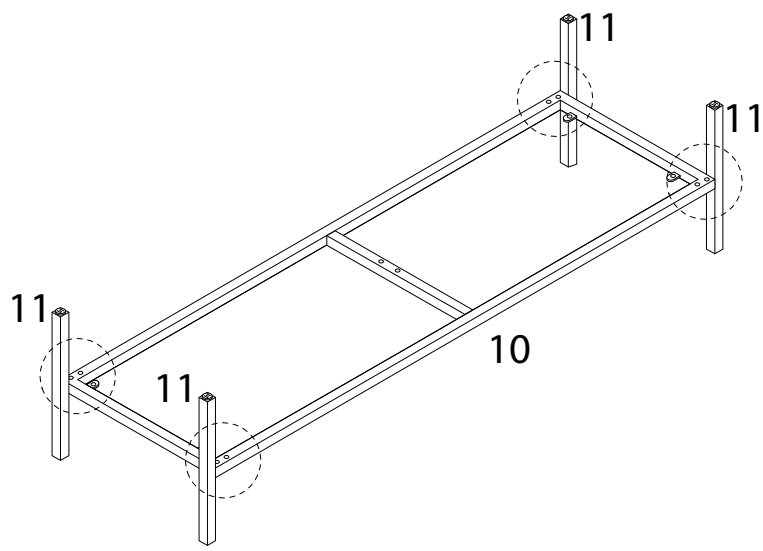


x 8

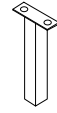
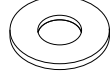

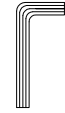


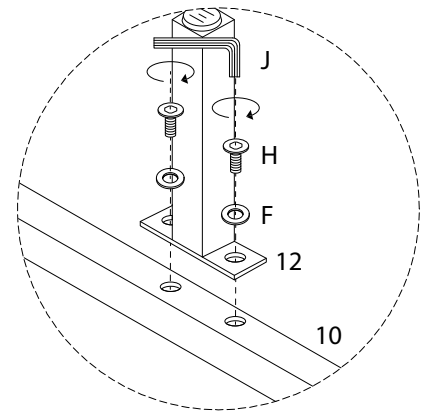
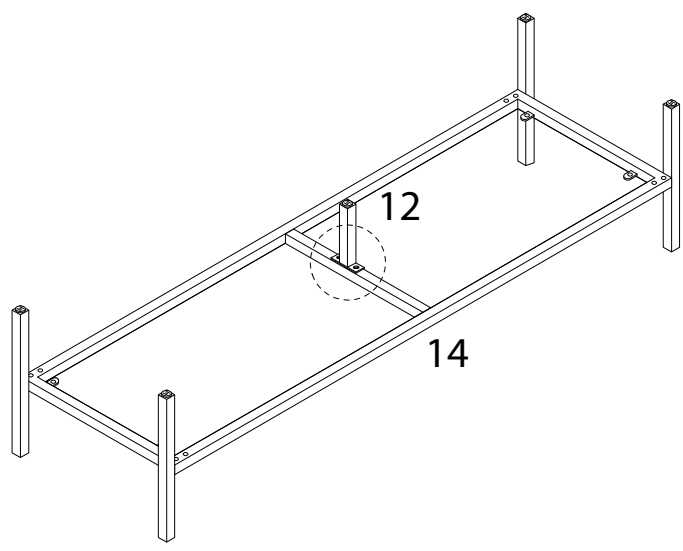
13

10  x 1	11  x 4	F  x 8	H  x 8	J  x 1
--	--	---	---	---

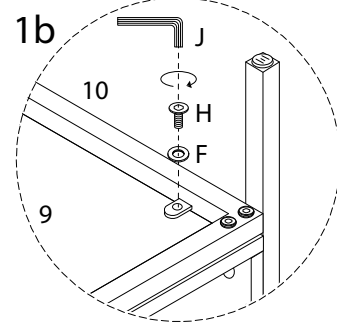
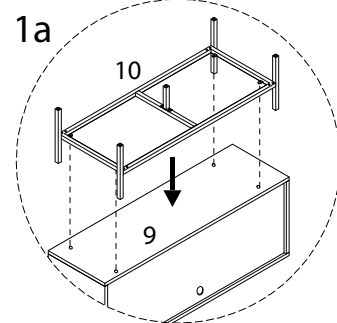
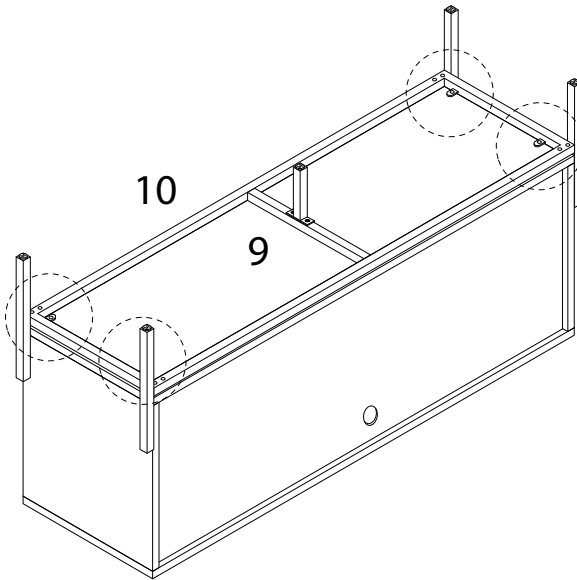
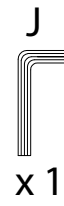
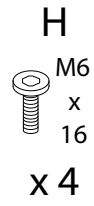
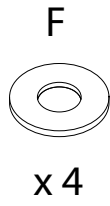


14

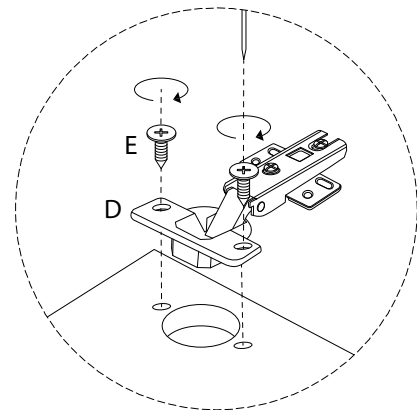
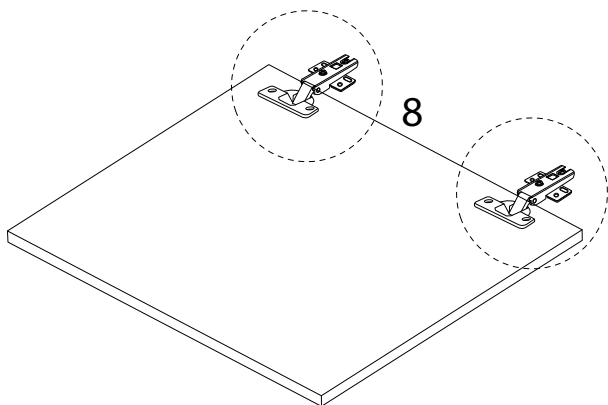
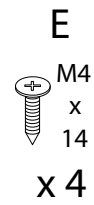
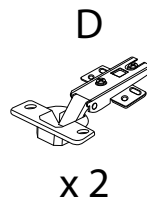
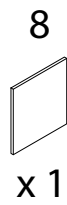
12  x 1	F  x 2	H  x 2	J  x 1
--	---	--	---



15



16

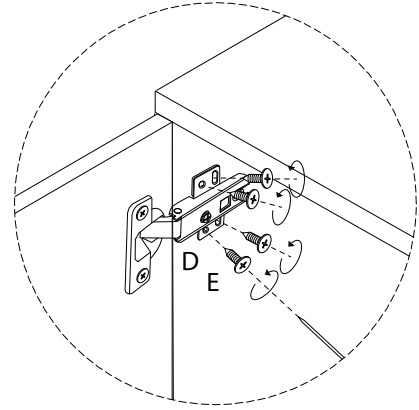
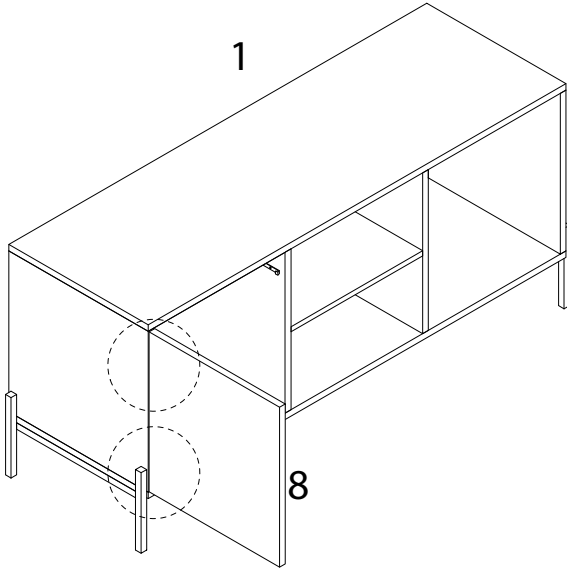


17

E

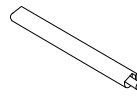


x 8

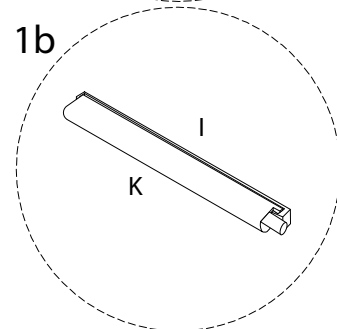
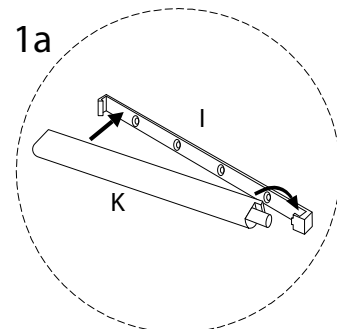
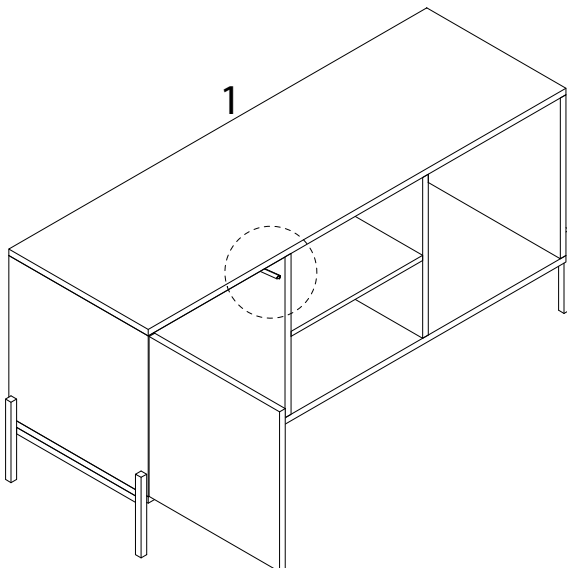


18

K



x 1



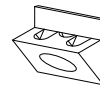
19

E

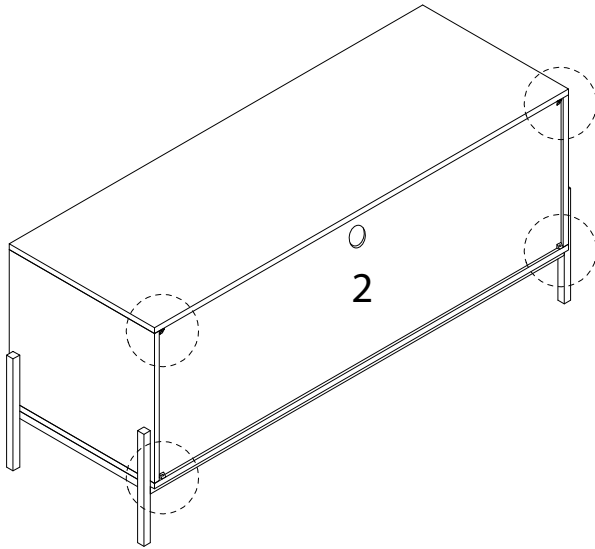


x 4

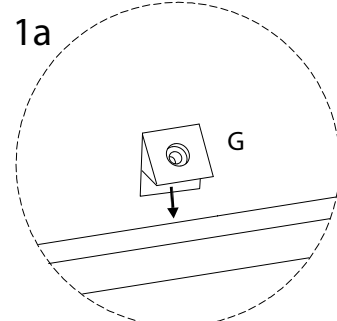
G



x 4



1a



1b

