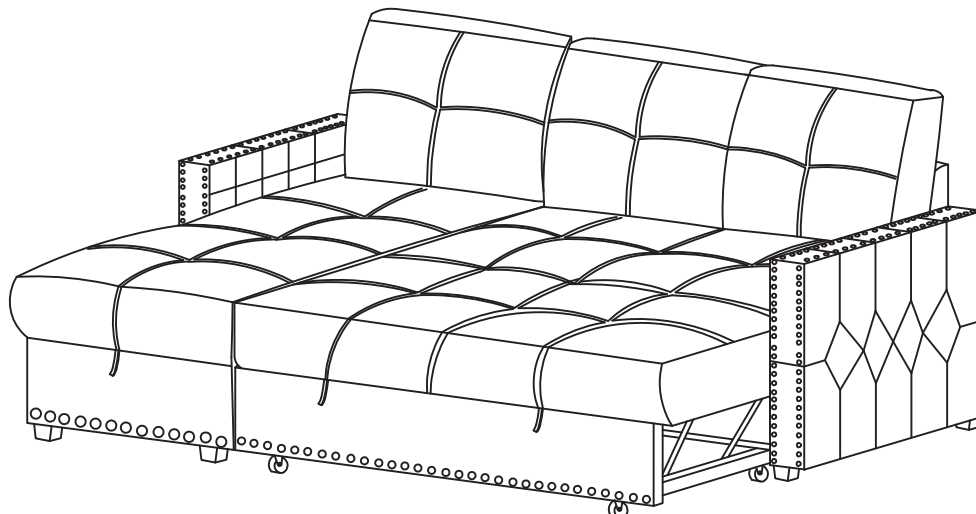

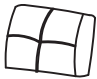
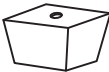




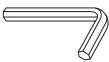


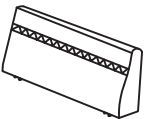
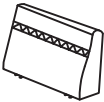
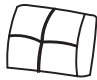




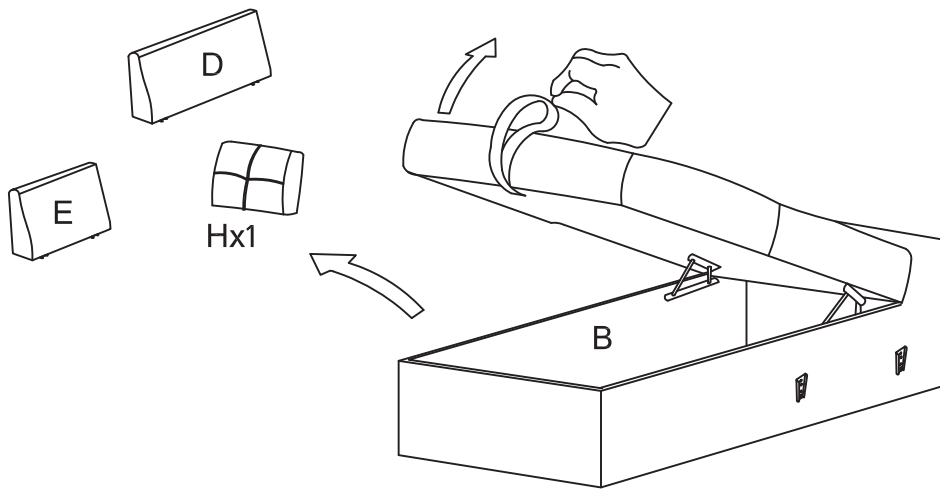
## MF-70



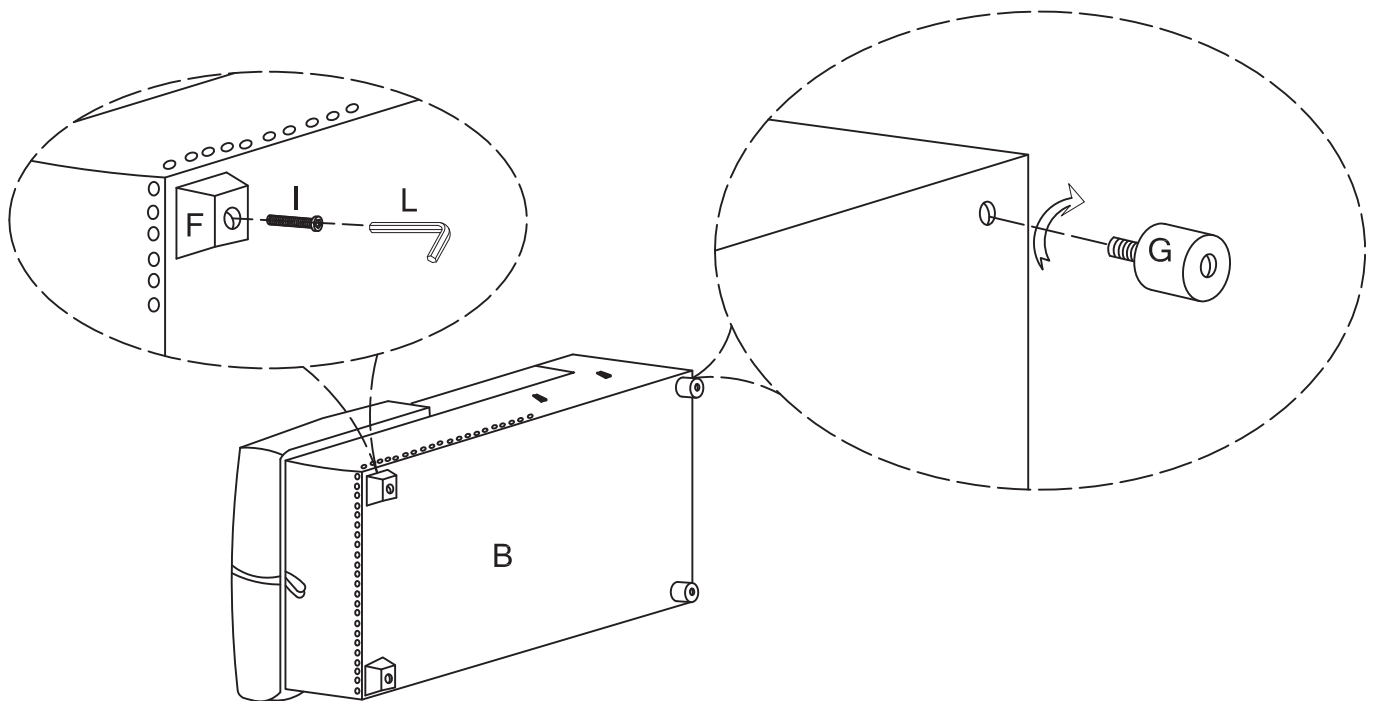
Sofa is packde in 3 cases

Carton	PARTS IDENTIFICATION					
SOFA	A	1PC	H	2PCS	F	6PCS
		SOFA FRAME		BACK CUSHION		LEGS
	G	6PCS	I	6PCS	J	8PCS
		LEGS		5/16 *55mm BOLTS		1/4*15mm BOLTS
CHAISE	K	4PCS	L	1PC	M	4PCS
		CASTER		4*59mm Allen Key		E-RINGS
	B	1PC	D	1PC	E	1PC
		CHAISE FRAME		BACKREST (FOR SOFA)		BACKREST (FOR CHAISE)
ARM	H	1PC				
			BACK CUSHION			
	C					
		C1(L)		C2(R)		

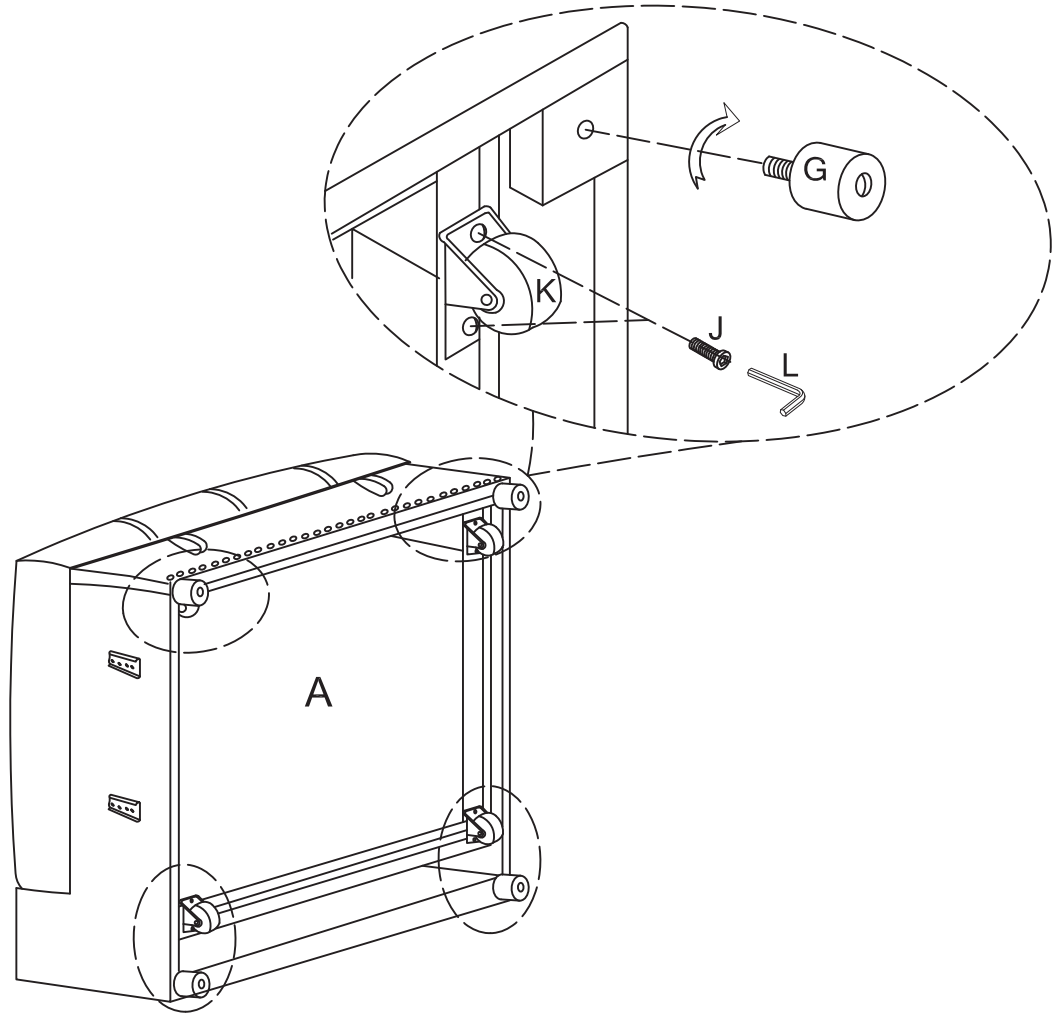
# STEP1:



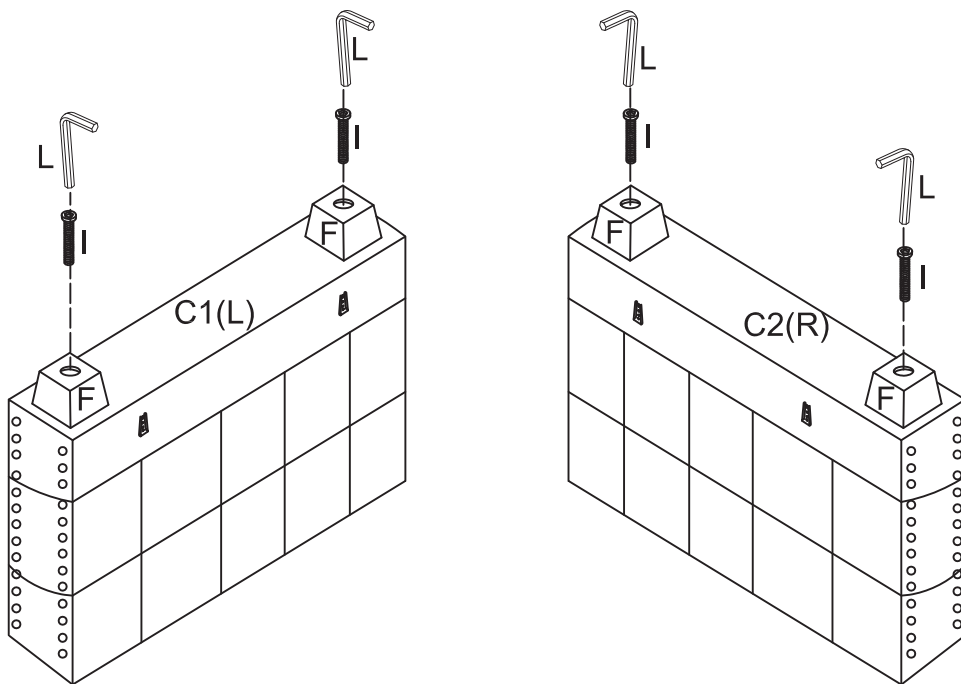
# STEP2:



# STEP3:

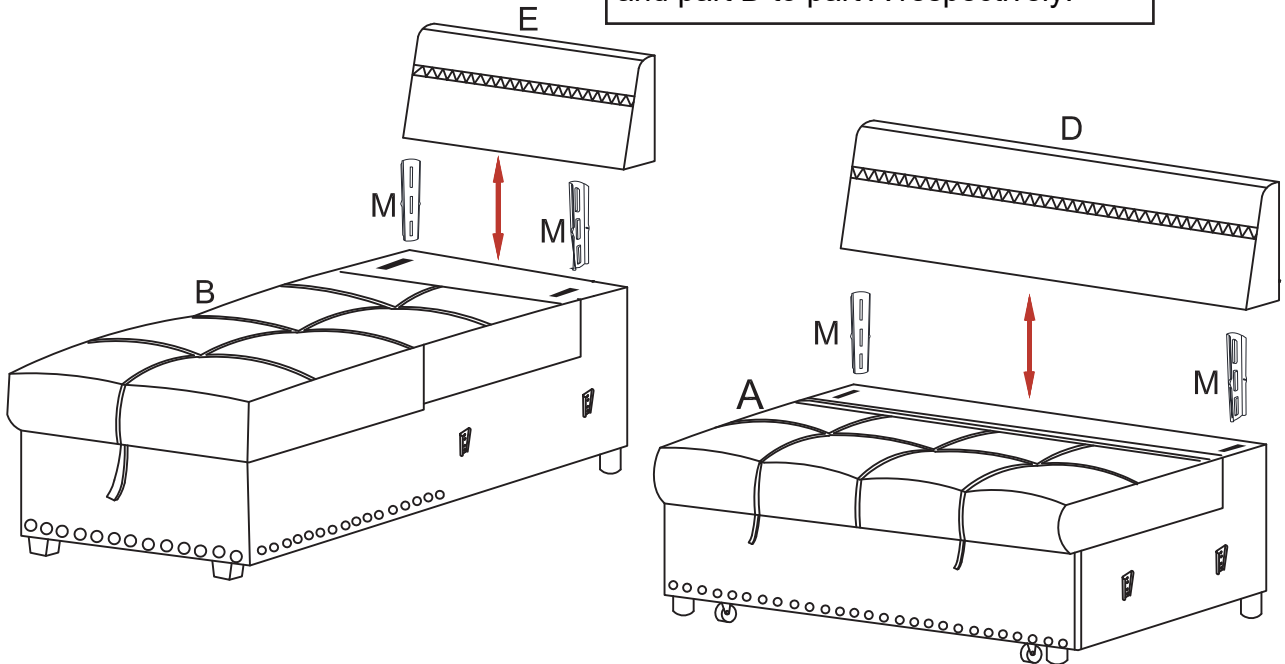


# STEP4:



# STEP5:

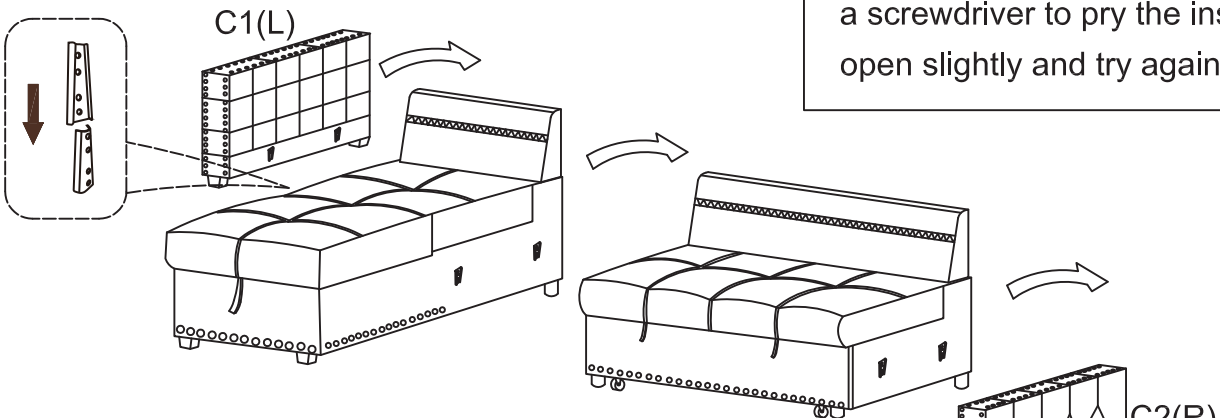
Use part M to connect part E to part B and part D to part A respectively.



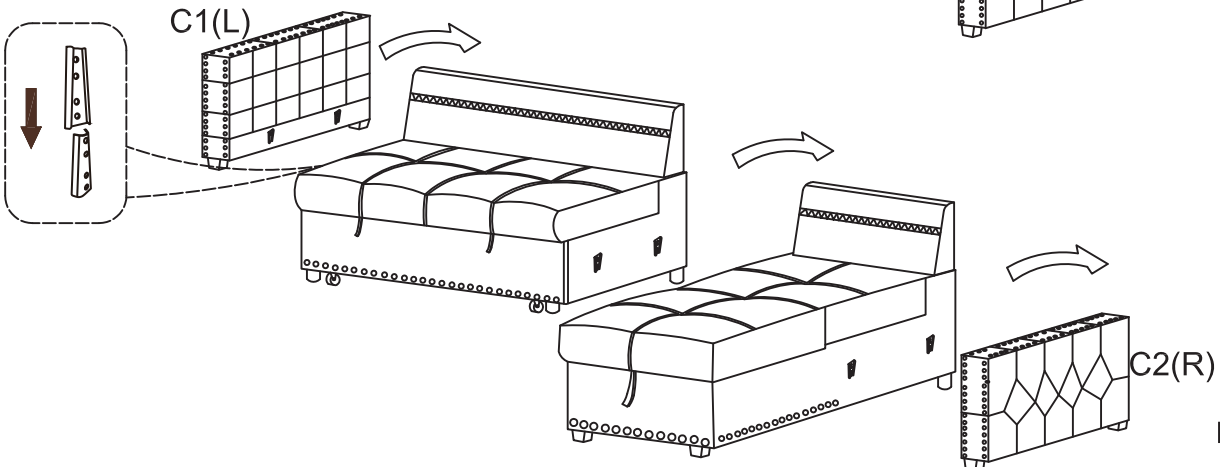
# STEP6:

## RIGHT SOFA & LEFT CHAISE

If is ont to assemble,use a screwdriver to pry the insert open slightly and try again

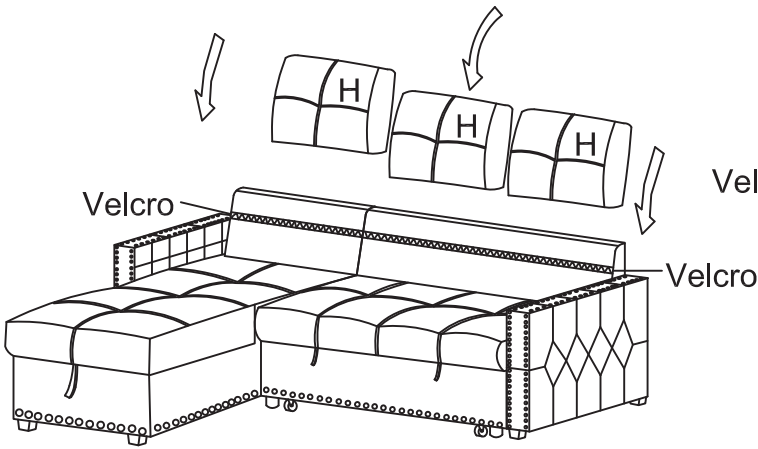


## RIGHT CHAISE & LEFT SOFA

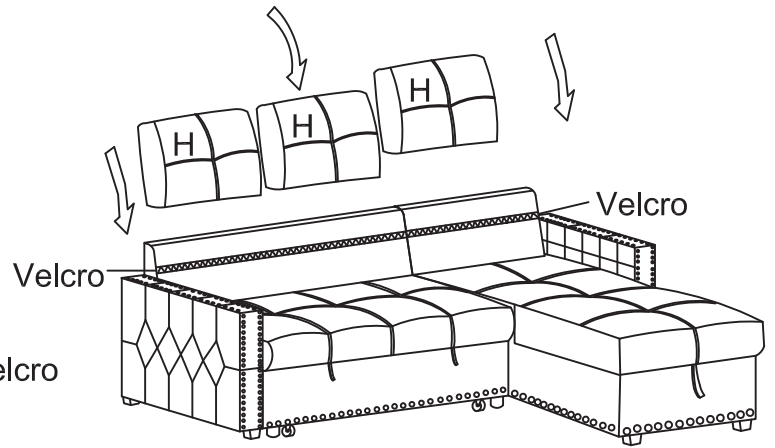


# STEP7:

## RIGHT SOFA & LEFT CHAISE

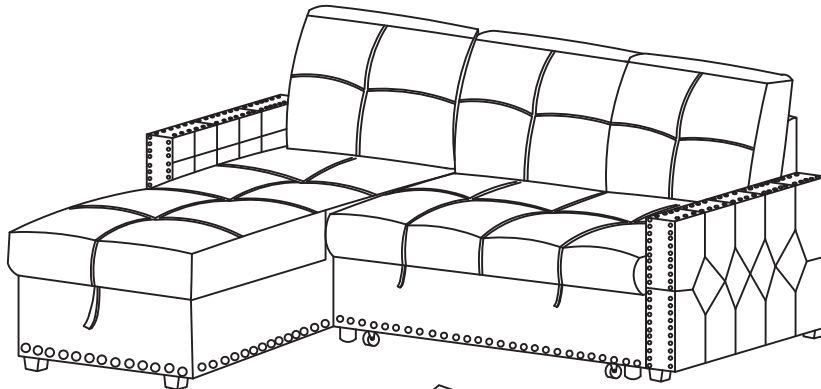


## RIGHT CHAISE & LEFT SOFA

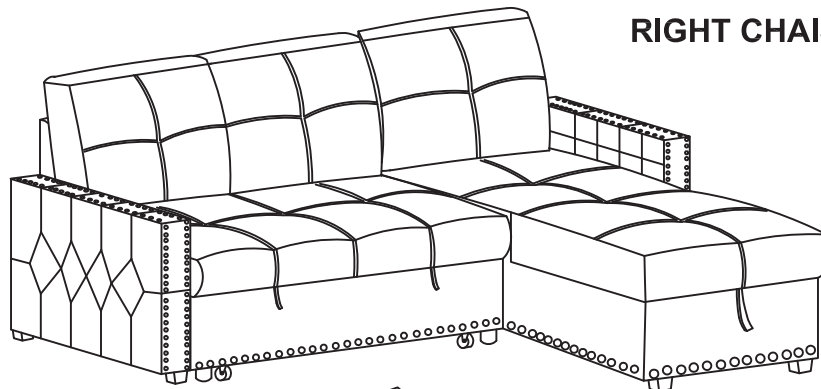


# STEP8:

## RIGHT SOFA & LEFT CHAISE

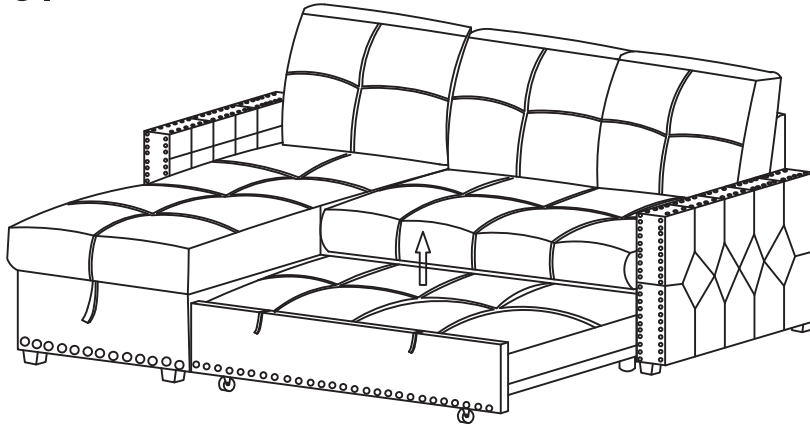


## RIGHT CHAISE & LEFT SOFA

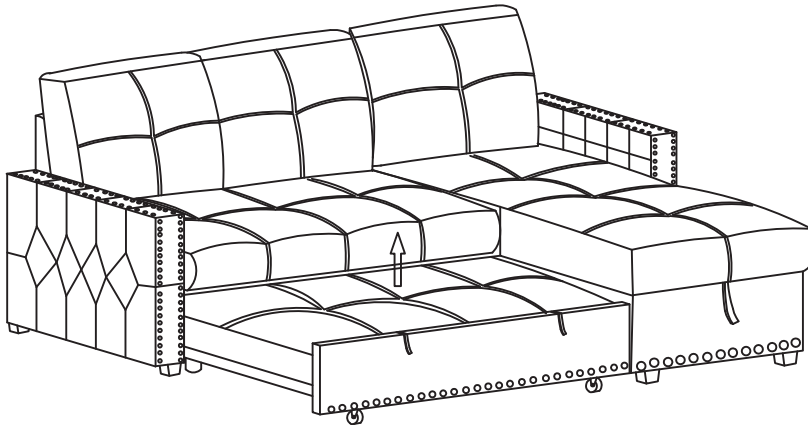


**STEP9:**

**RIGHT SOFA & LEFT CHAISE**

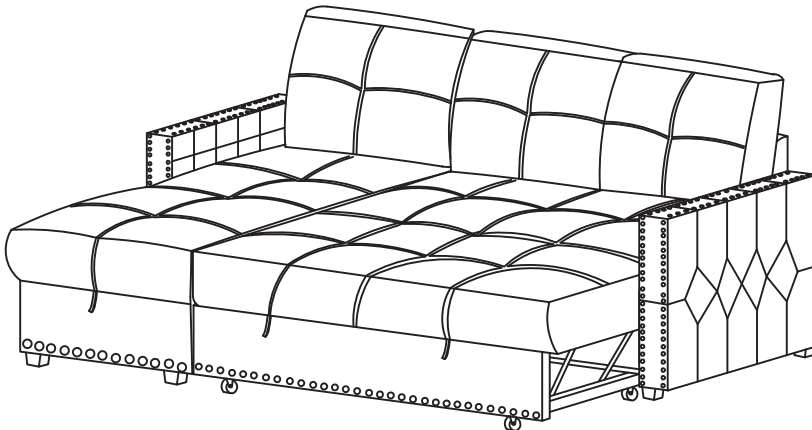


**RIGHT CHAISE & LEFT SOFA**



**STEP10:**

**RIGHT SOFA & LEFT CHAISE**



**RIGHT CHAISE & LEFT SOFA**

