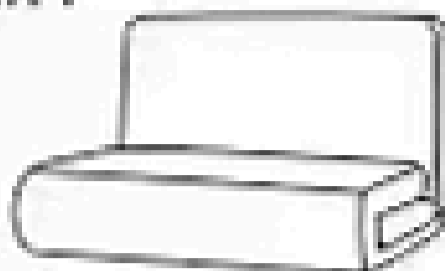
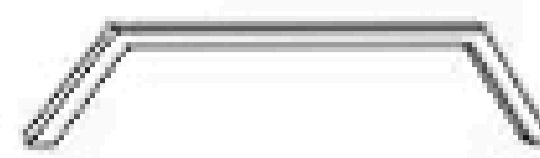

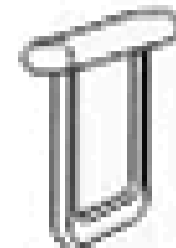
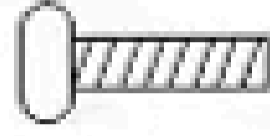
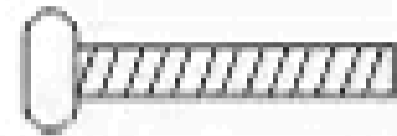
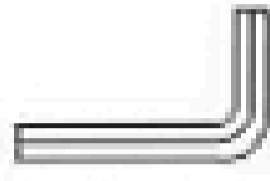
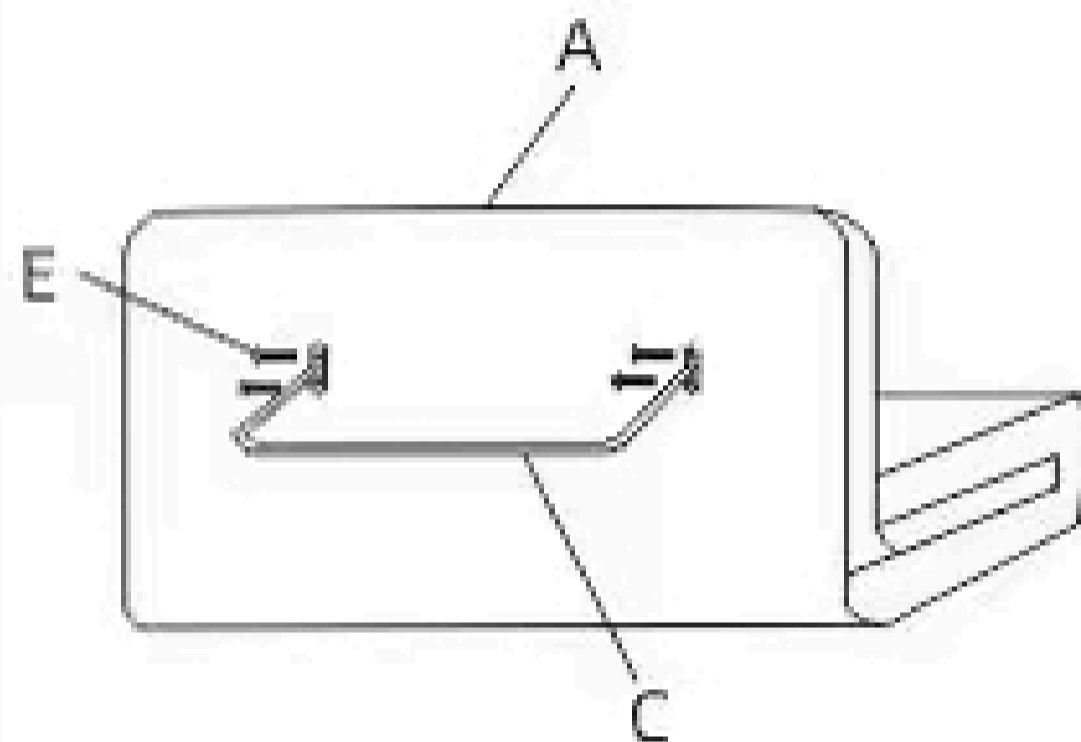


instruction

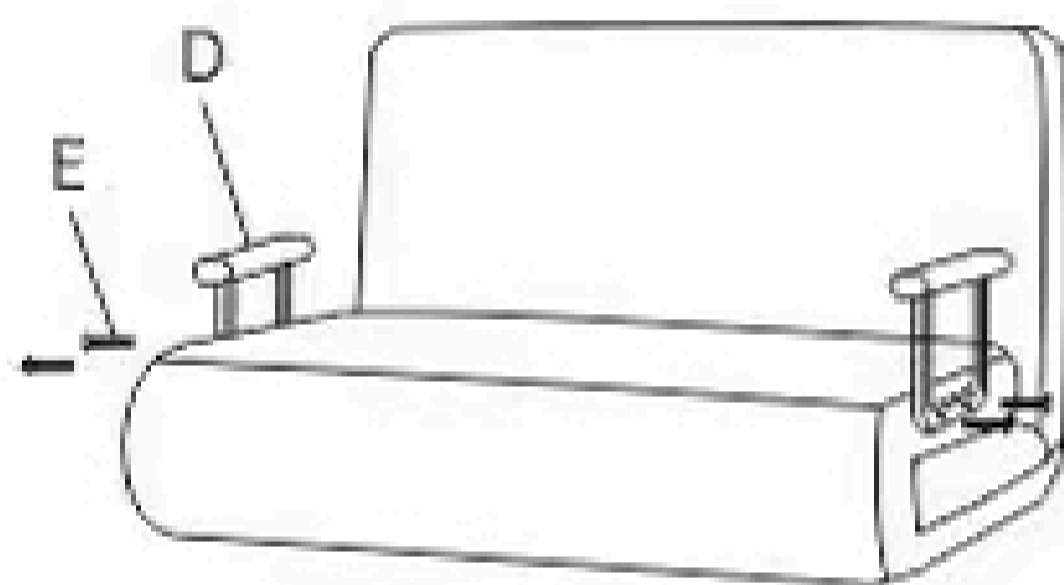
AX1 	Bx2 	Cx1 	Dx2 
Ex8 	Fx4 	Gx1 	

Please unscrew the bolts from the holes before installation.

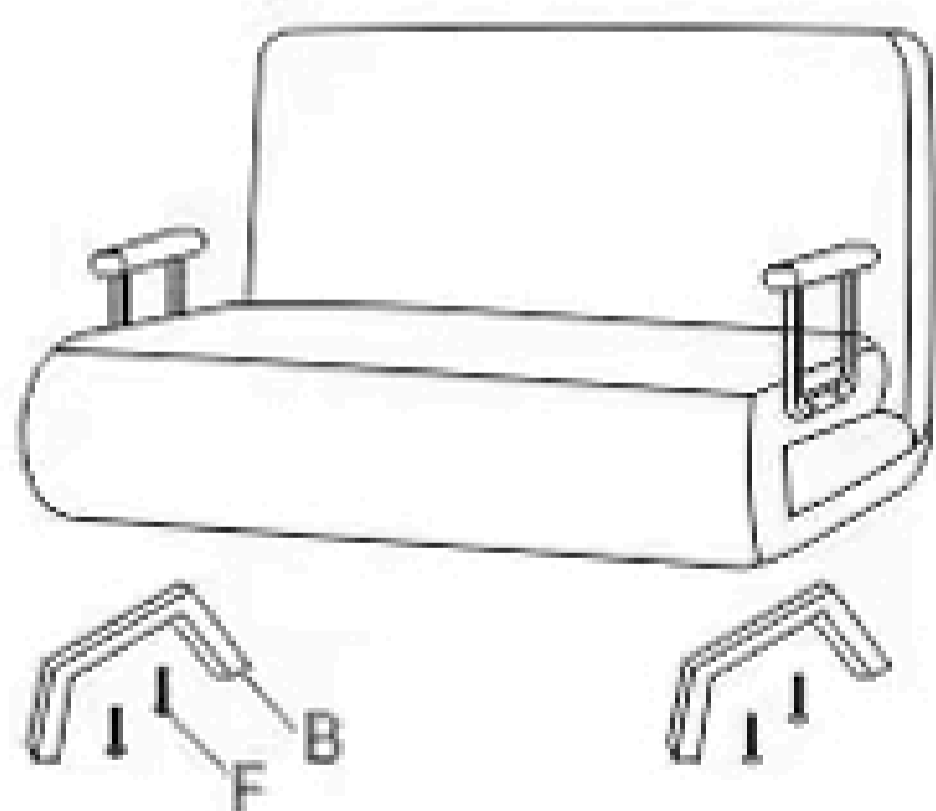
1



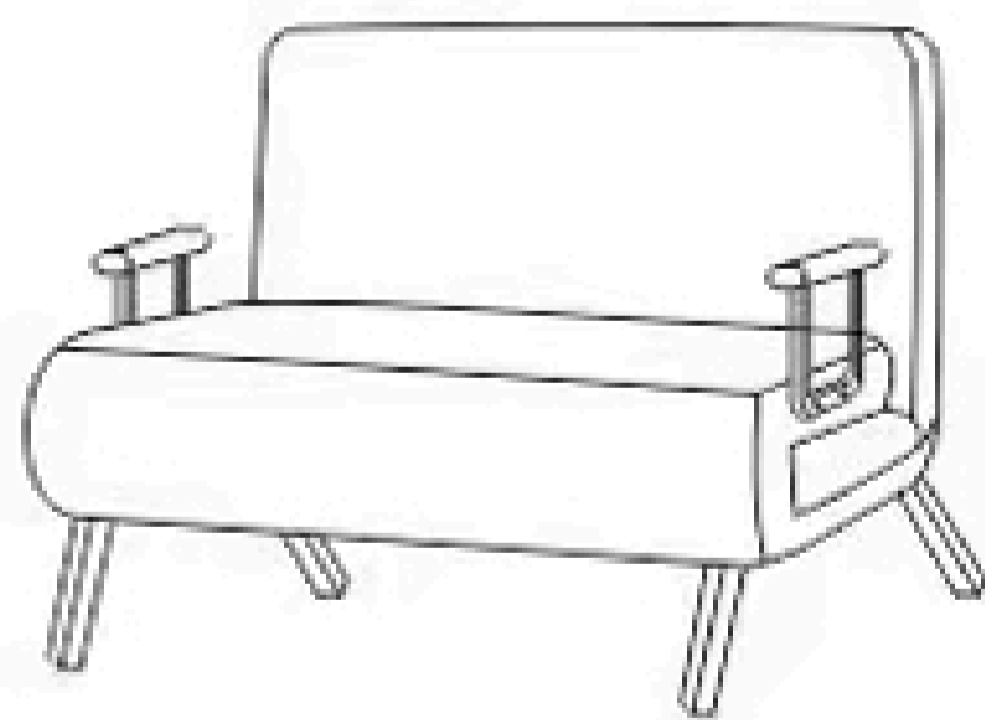
2



3



4



If the backrest slightly shakes, this is a normal phenomenon because the backrest can be adjusted in angle, which will not affect the support and stability of the backrest, please use it with confidence. thank you