

WS-14818

Project:

Location:

Fixture Type:

Catalog Number:

**AVAILABLE FINISHES:**



## Mini Loft

WS-14818

**PRODUCT DESCRIPTION**

How do you improve on perfection? In this case, make it smaller. Introducing the petite version of our popular Loft sconce, featuring the same elegant contrasts as its big brother. An oval back plate in fine aluminum offsets the slim diffuser, which is fashioned from co-extruded clear and white acrylic to soften and distribute the light with beautiful precision even in this miniaturized format. Pair Mini-Loft with the larger version for a consistent lighting scheme throughout.

**FEATURES**

- Driver installed within the Junction Box, driver dimension: 2.8" x 1.3" x 1.2"
- Co-extruded clear and white acrylic diffuser
- Conversion plate included to accommodate 3" switch box
- Adjustable backplate accommodates to off-center junction box locations
- Trimless spackle cover available for 4" square junction box recessed in drywall thicknesses of 1/2", 5/8", 1", and 1-1/4"; accessory not included and can be ordered separately (model# MKCP-3040-WT)

**SPECIFICATIONS**

<b>Rated Life</b>	54000 Hours
<b>Standards</b>	ETL, cETL,Damp Location Listed,ADA
<b>Input</b>	120-277V,50/60Hz
<b>Driver Dimension</b>	2.8" x 1.3" x 1.2"
<b>Dimming</b>	ELV
<b>Mounting</b>	Can be mounted on wall in all orientations
<b>Color Temp</b>	3000K
<b>CRI</b>	90
<b>Construction</b>	Aluminum hardware, co-extruded clear and white acrylic diffuser

Model & Size	Color Temp	Finish	LED Watts	LED Lumens	Delivered Lumens
○ WS-14818 18"	3000K	○ BN Brushed Nickel	15.5W	1324	1198
	3000K	○ CH Chrome	15.5W	1324	1198

Example: **WS-14818-CH**

For custom requests please contact [customs@modernforms.com](mailto:customs@modernforms.com)

Project:

Location:

Fixture Type:

Catalog Number:



**AVAILABLE FINISHES:**



# Mini Loft

WS-14824

**PRODUCT DESCRIPTION**

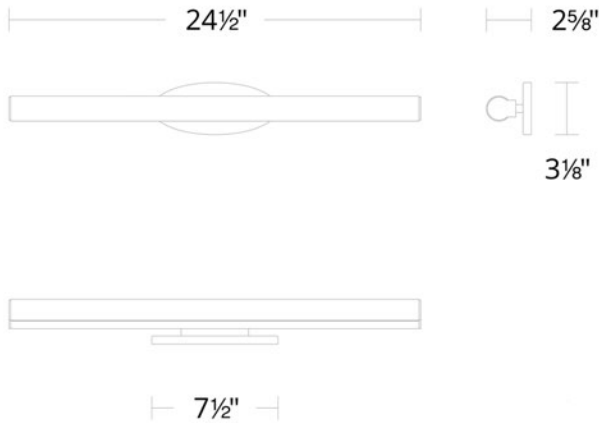
How do you improve on perfection? In this case, make it smaller. Introducing the petite version of our popular Loft sconce, featuring the same elegant contrasts as its big brother. An oval back plate in fine aluminum offsets the slim diffuser, which is fashioned from co-extruded clear and white acrylic to soften and distribute the light with beautiful precision even in this miniaturized format. Pair Mini-Loft with the larger version for a consistent lighting scheme throughout.

**FEATURES**

- Driver installed within the Junction Box, driver dimension: 2.8" x 1.3" x 1.2"
- Co-extruded clear and white acrylic diffuser
- Conversion plate included to accommodate 3" switch box
- Adjustable backplate accommodates to off-center junction box locations
- Trimless spackle cover available for 4" square junction box recessed in drywall thicknesses of 1/2", 5/8", 1", and 1-1/4"; accessory not included and can be ordered separately (model# MKCP-3040-WT)

**SPECIFICATIONS**

Rated Life	54000 Hours
Standards	ETL, cETL,Damp Location Listed,ADA
Input	120-277V,50/60Hz
Driver Dimension	2.8" x 1.3" x 1.2"
Dimming	ELV
Mounting	Can be mounted on wall in all orientations
Color Temp	3000K
CRI	90
Construction	Aluminum hardware, co-extruded clear and white acrylic diffuser



WS-14824

Model & Size	Color Temp	Finish	LED Watts	LED Lumens	Delivered Lumens
○ WS-14824 24"	3000K	○ BN Brushed Nickel	20.3W	1826	1588
	3000K	○ CH Chrome	20.3W	1826	1588

Example: **WS-14824-CH**

For custom requests please contact [customs@modernforms.com](mailto:customs@modernforms.com)