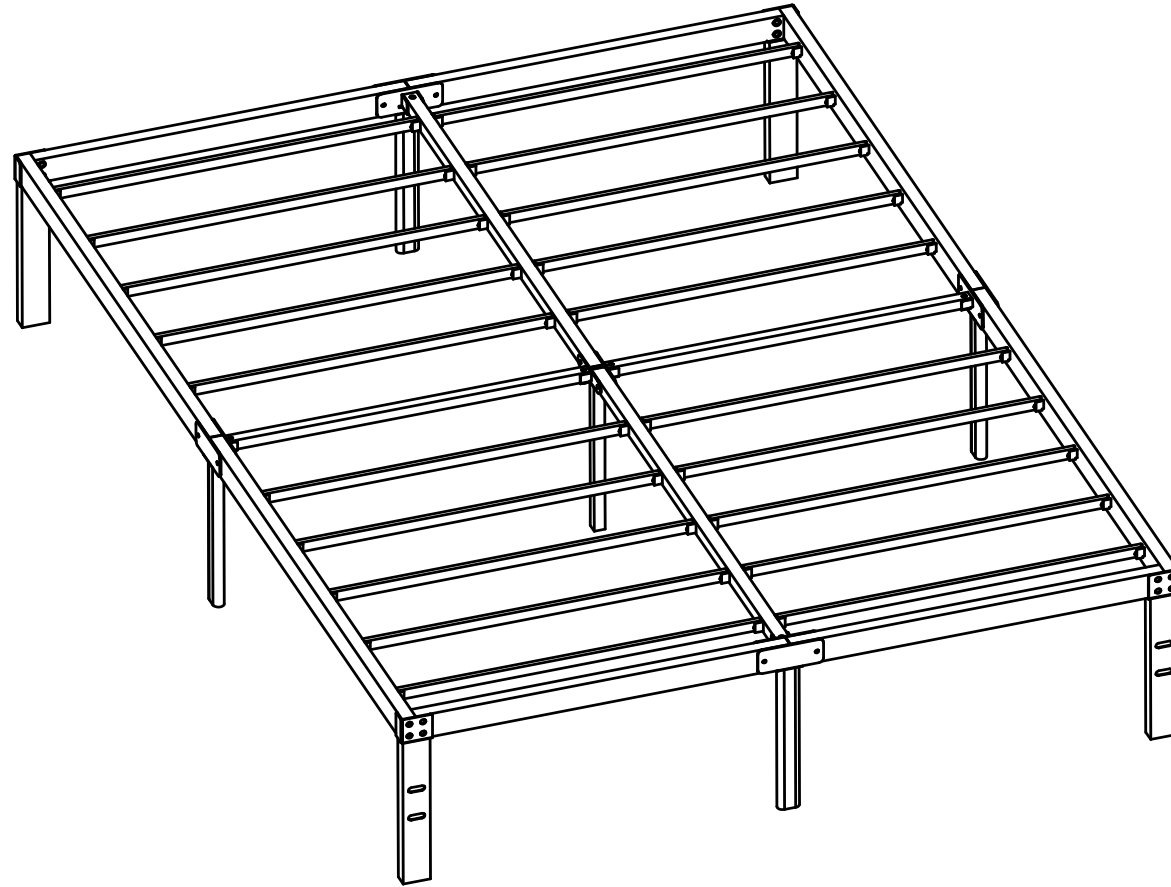
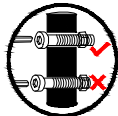


Installation & Assembly

Bed Frame

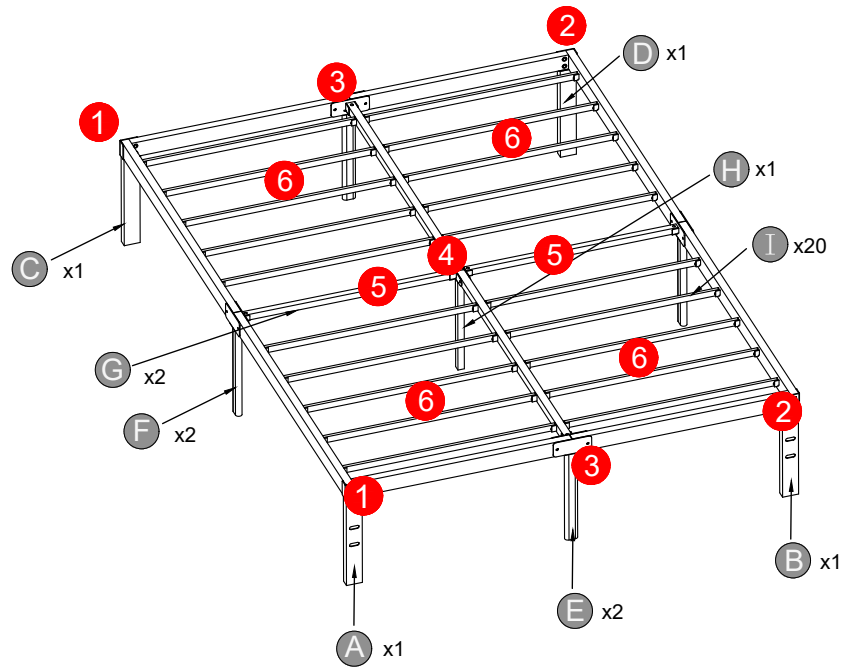


CAUTION!

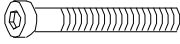
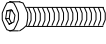
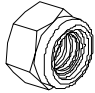

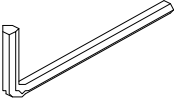
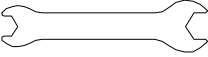


#Number System



Follow the marked steps for the easiest assembling process
 step 1 step 2 step 3 step 4...

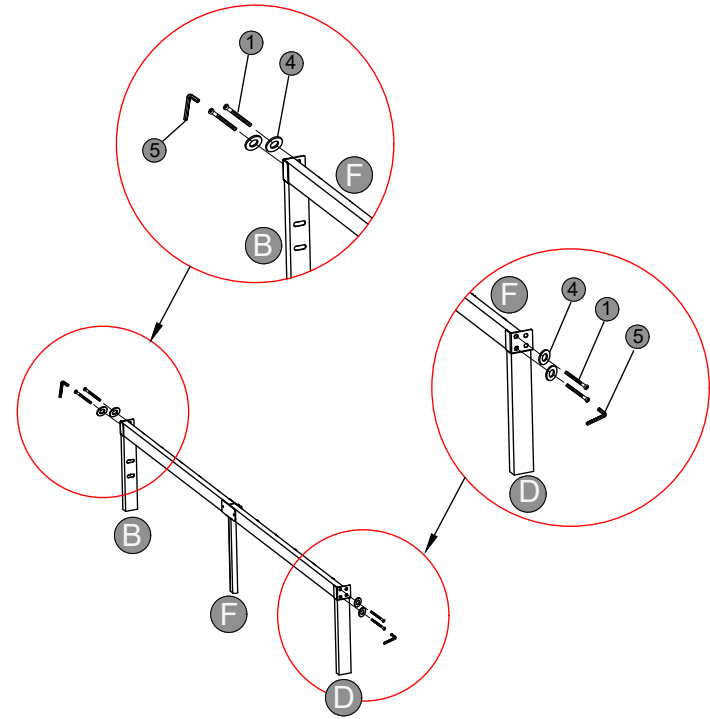
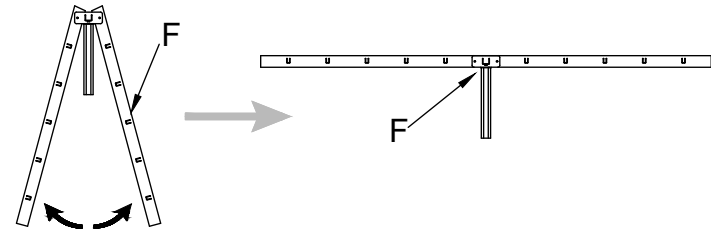


Components					
A		1pc	B		1pc
C		1pc	D		1pc
E		2pcs	F		2pcs
G		2pcs	H		1pc
I		20pcs			

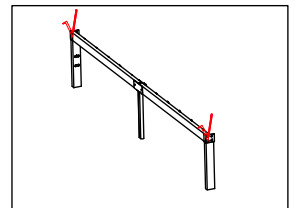
<p>1</p>	 <p>M8x45mm</p>	<p>16pcs</p>	<p>2</p>	 <p>M6x35mm</p>	<p>6pcs</p>
<p>3</p>	 <p>M8</p>	<p>8pcs</p>	<p>4</p>	 <p>Ø8</p>	<p>16pcs</p>
<p>5</p>		<p>1pc</p>	<p>6</p>		<p>1pc</p>

Step 1 Connect **F** to **B** and **D**

-  1 x4
-  4 x4

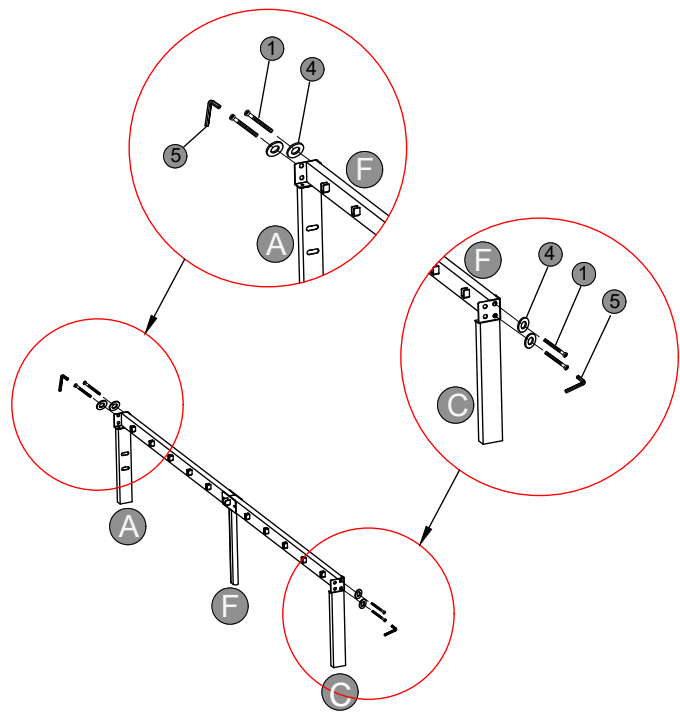
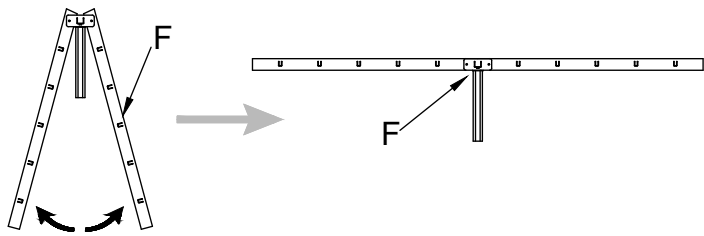


Note: Assemble the left side of the bed

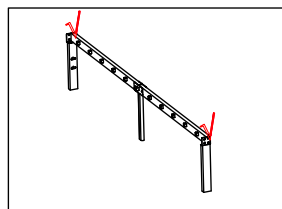


Step 2 Connect **F** to **A** and **C**



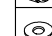
	1x4
	4x4

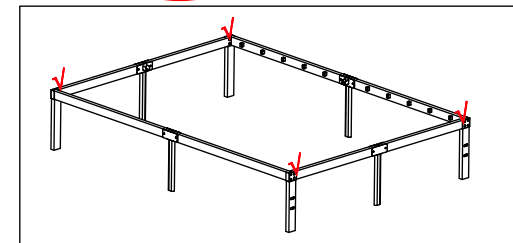
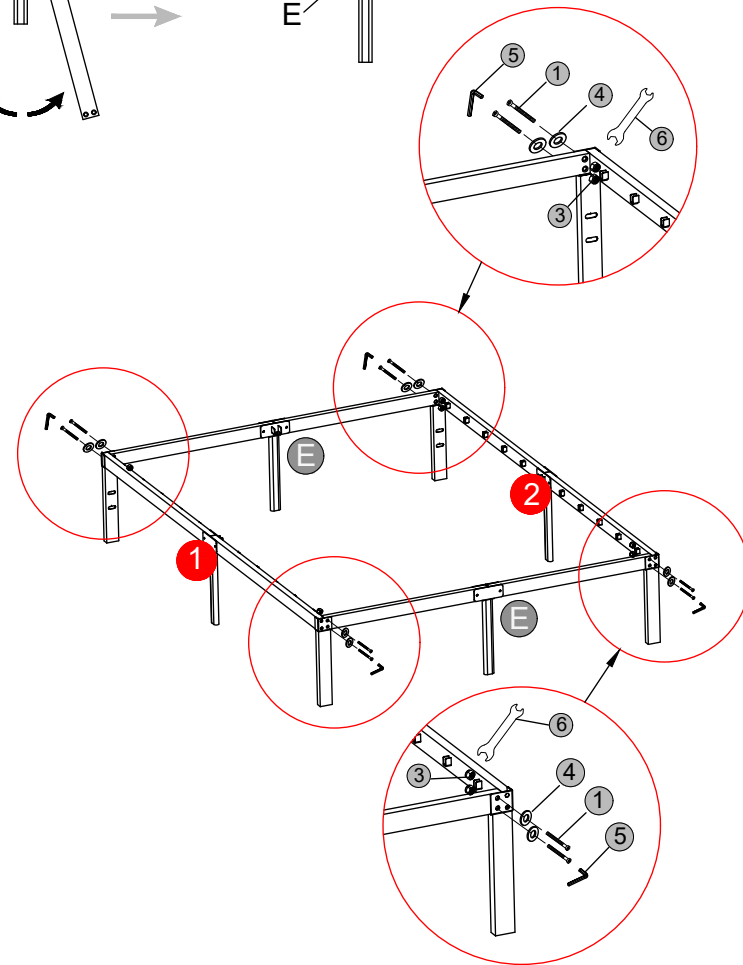
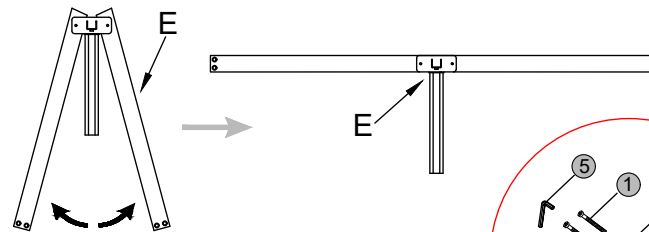


Note: Assemble the right side of the bed



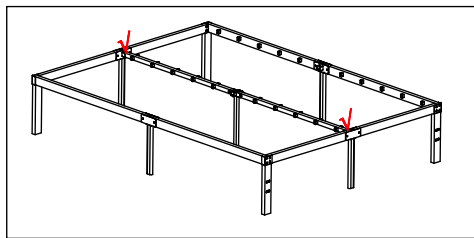
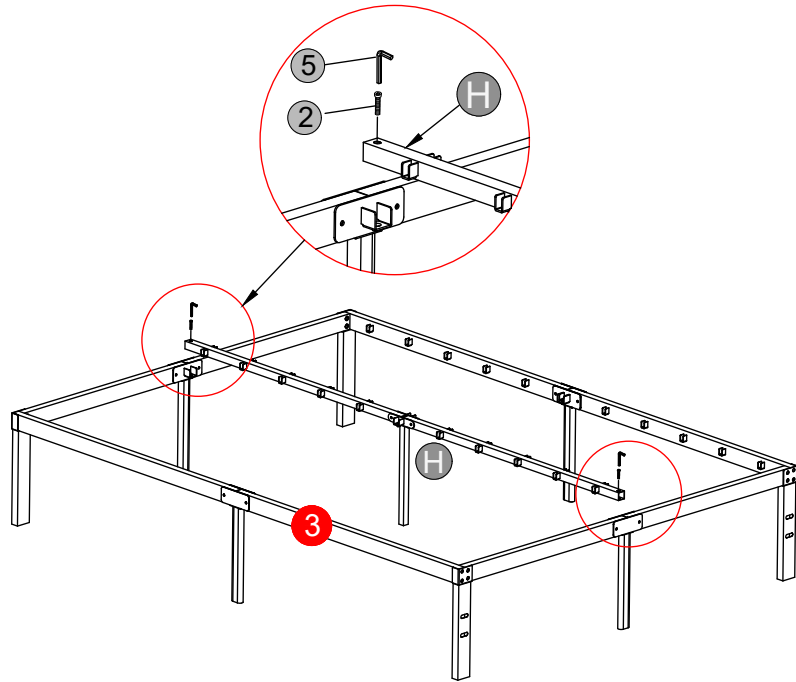
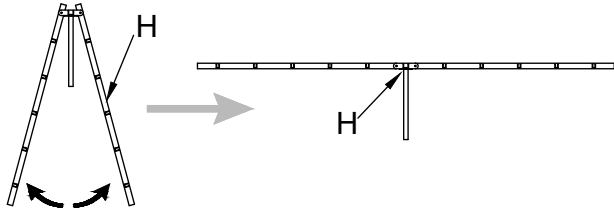
Step 3 Connect **E** to **1** and **2**

	1x8
	3x8
	4x8



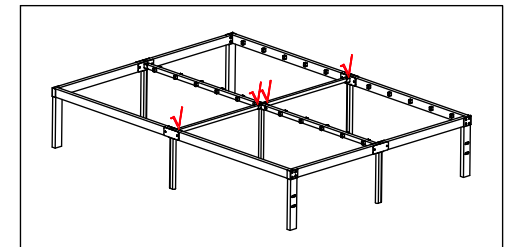
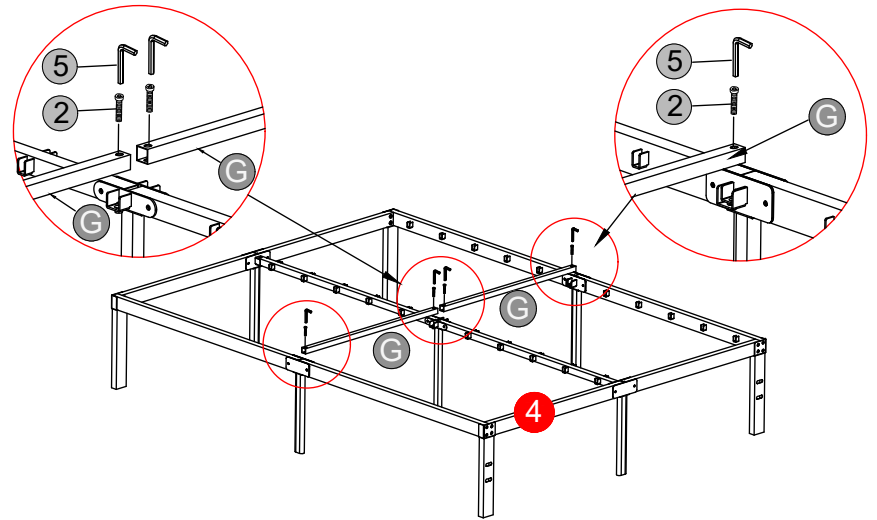
Step 4 Connect **3** to **H**

2x2

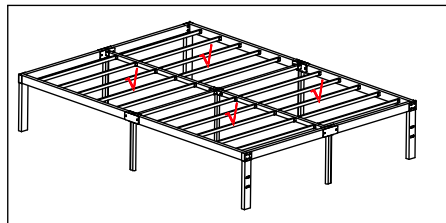
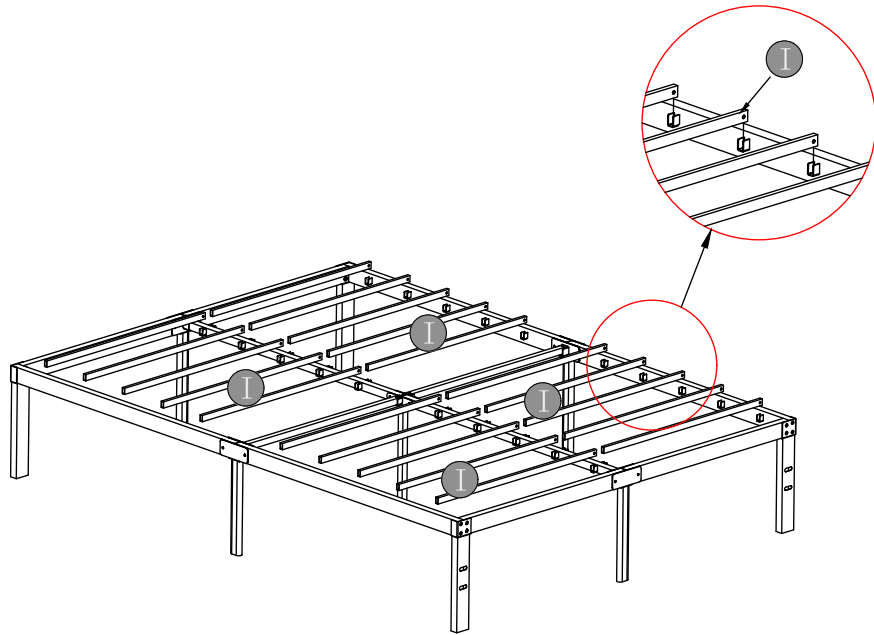


Step 5 Connect **4** to **G**

2x4



Step 6 Assemble bed slats



Step 7 Check and tighten all screws

