

84909 Sideboard Mancha

EAN: 4025621849094



Email: info@kare.de

KARE Design GmbH Zeppelinstraße 16, 85748 Garching-Hochbrück Germany

Geschäftsführende Gesellschafter: Jürgen Reiter, Peter Schönhofen

KARE Design GmbH HRB 164 249 Amtsgericht München Sitz: München Steuernummer: Finanzamt München für Körperschaften, 143/153/40064 USt-ID: DE 250 622 249

www.kare.de www.kare-design.de

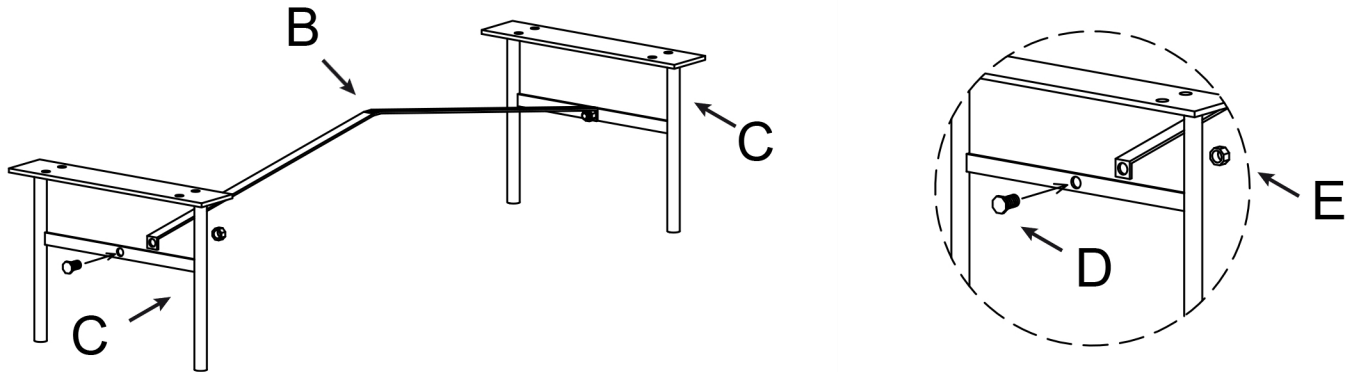
ITEM CODE : 84909
 ITEM SIZE : 183 x 42 x 77 CM



A		1
B		1
C		2
D	8 x 12 MM	2
E	Ø8 MM	11
F	14 x 15 NO.	1

ASSEMBLY INSTRUCTIONS FOR SIDE BOARD

STEP 1.

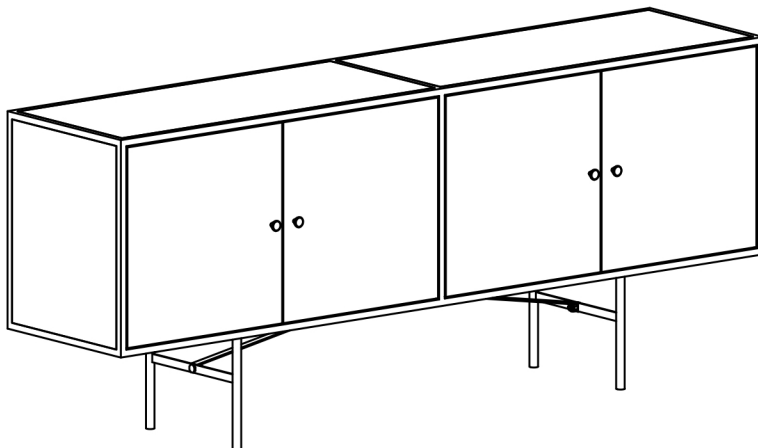


FIRST OF ALL TAKE THE GIVEN LEGS AND THE CONNECTING ROD AND MATCH THE HOLES AS SHOWN IN THE ABOVE IMAGE. NOW WITH THE GIVEN HARDWARE SCREW THE CONNECTING ROD TIGHTLY WITH THE LEGS.

STEP 2.



NOW PLACE THE BODY OF MEDIA CONSOLE UPSIDE DOWN WITH THE HELP OF AT LEAST 4 - 5 PEOPLE ON A CLEAN SURFACE. NOW TAKE THE SCREWED LEGS AND ROD AND PLACE THEM IN UPSIDE DOWN POSITION ON THE MEDIA SUCH AS THREADED PORTION OF MEDIA MATCHES WITH THE HOLES IN THE IRON LEGS. NOW SCREW THEM FIRMLY WITH THE GIVEN HARDWARE AS SHOWN IN THE ABOVE IMAGE. NOW KEEP THE PIECE IN THE UPRIGHT POSITION.



FULLY ASSEMBLED STRUCTURE.