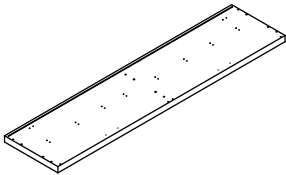
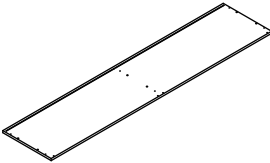
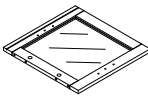
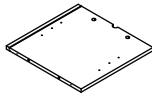
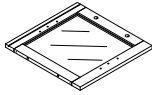
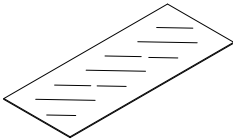
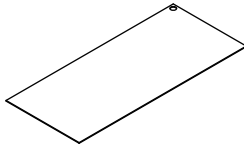
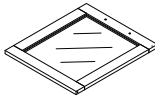
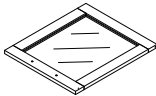
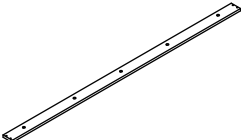
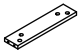
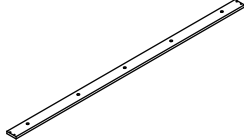
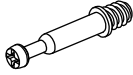


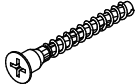
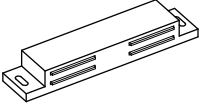



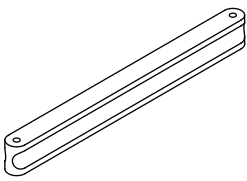
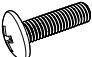


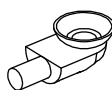



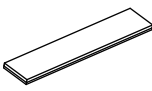
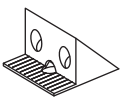


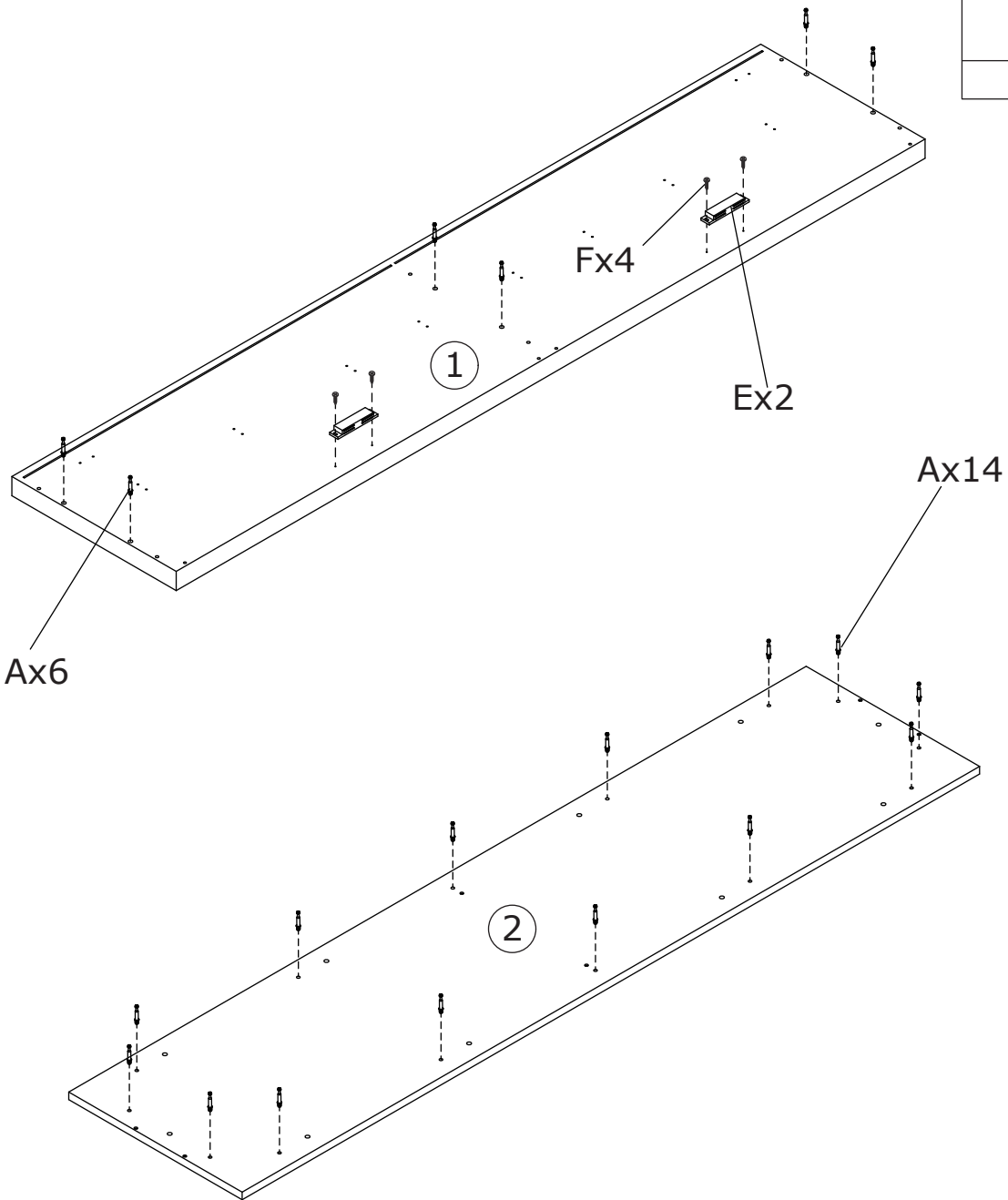
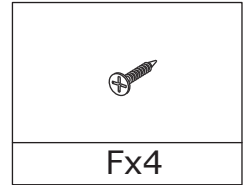
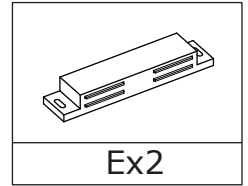
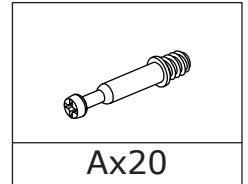
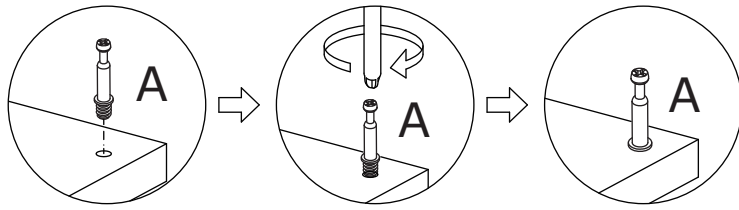
Parts and Operation Elements

			
① 1pc	② 1pc	③ 1pc	④ 1pc
			
⑤ 1pc	⑥ 2pcs	⑦ 2pcs	⑧ 2pcs
			
⑨ 2pcs	⑩ 1pc	⑪ 2pcs	⑫ 1pc

Hardware

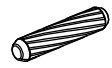
			
Cam Bolt	Cam Lock	Ø8x40mm Dowel	M5x40mm Screw
A	24pcs ^{+2pcs}	B	24pcs ^{+2pcs}
C	26pcs ^{+2pcs}	D	6pcs
			
	M3x16mm Screw		M3x12mm Screw
E	2pcs	F	20pcs ^{+2pcs}
G	4pcs	H	22pcs ^{+2pcs}
			
	M4x18mm Screw		
J	4pcs	K	8pcs ^{+2pcs}
L	4pcs	M	4pcs
			
N	8pcs ^{+2pcs}	P	24pcs ^{+2pcs}
Q	1pc	R	9pcs ^{+2pcs}
			
S	20pcs ^{+2pcs}	T	16pcs ^{+2pcs}

1

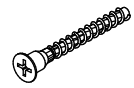


2

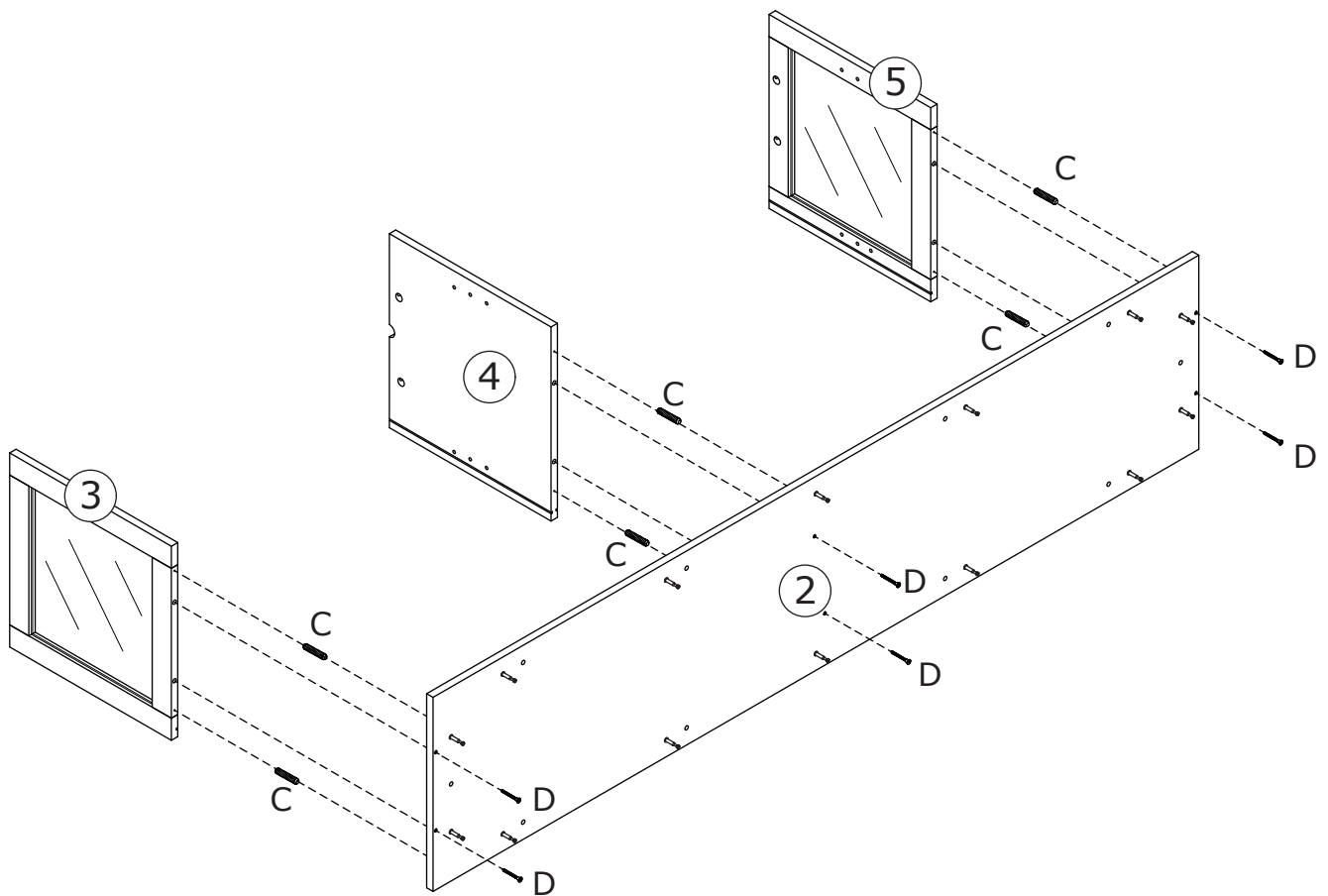
Tear off the film of plates 3 and 5 before assembly.



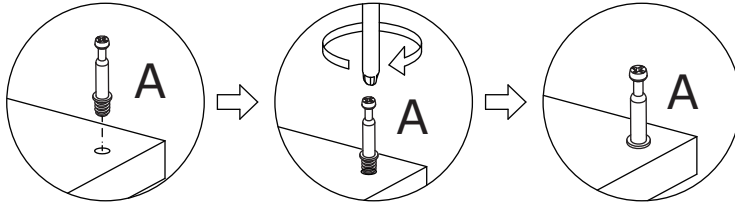
Cx6



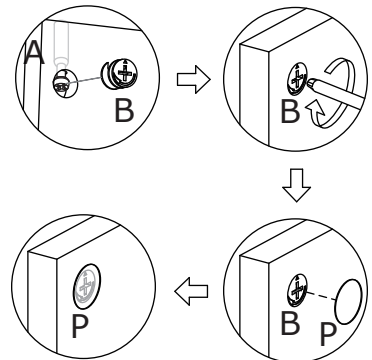
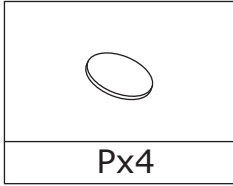
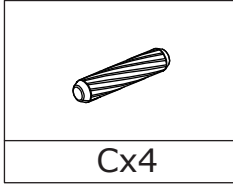
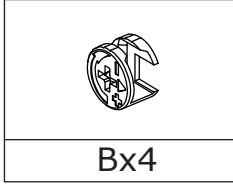
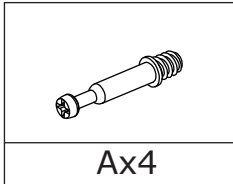
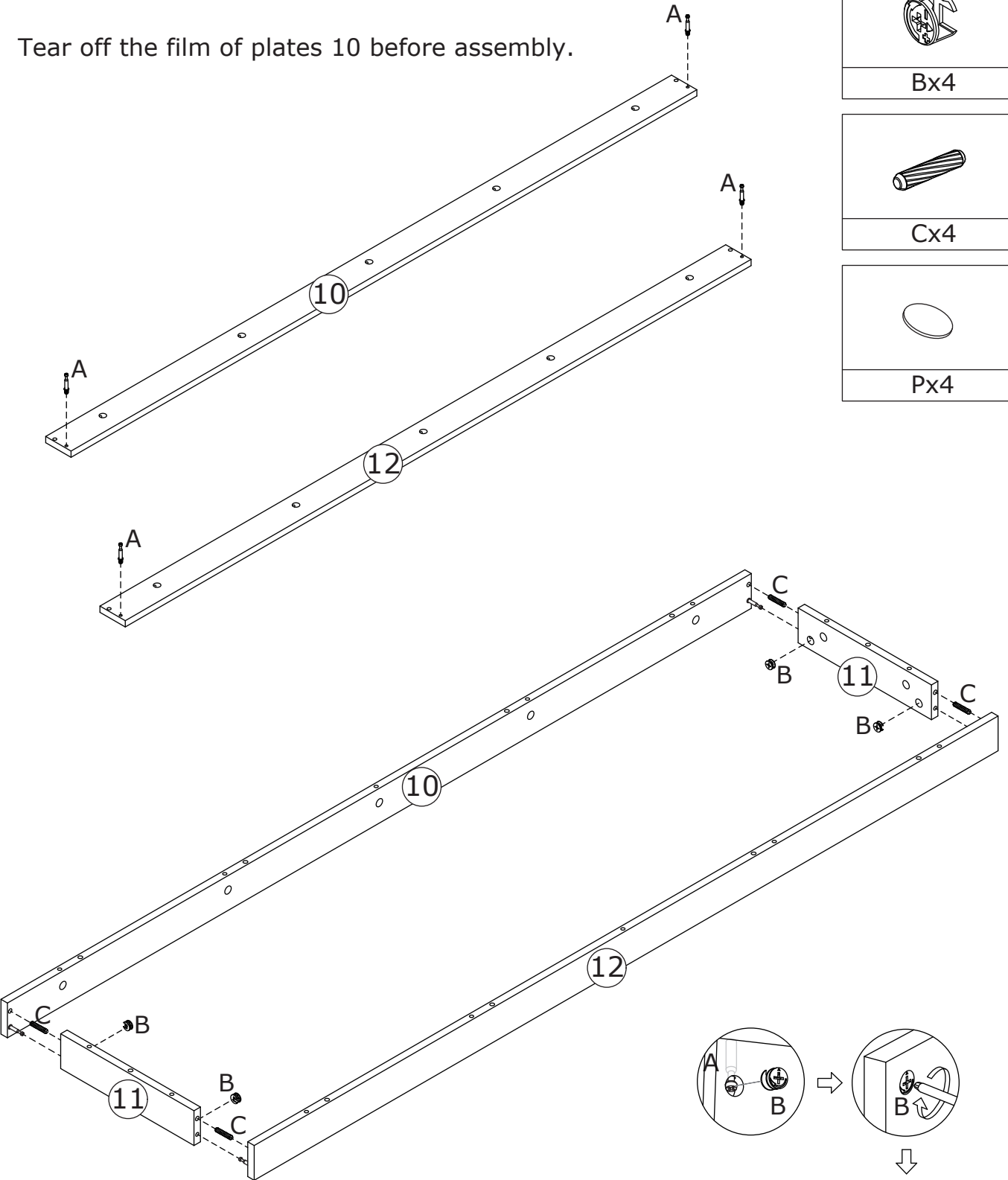
Dx6



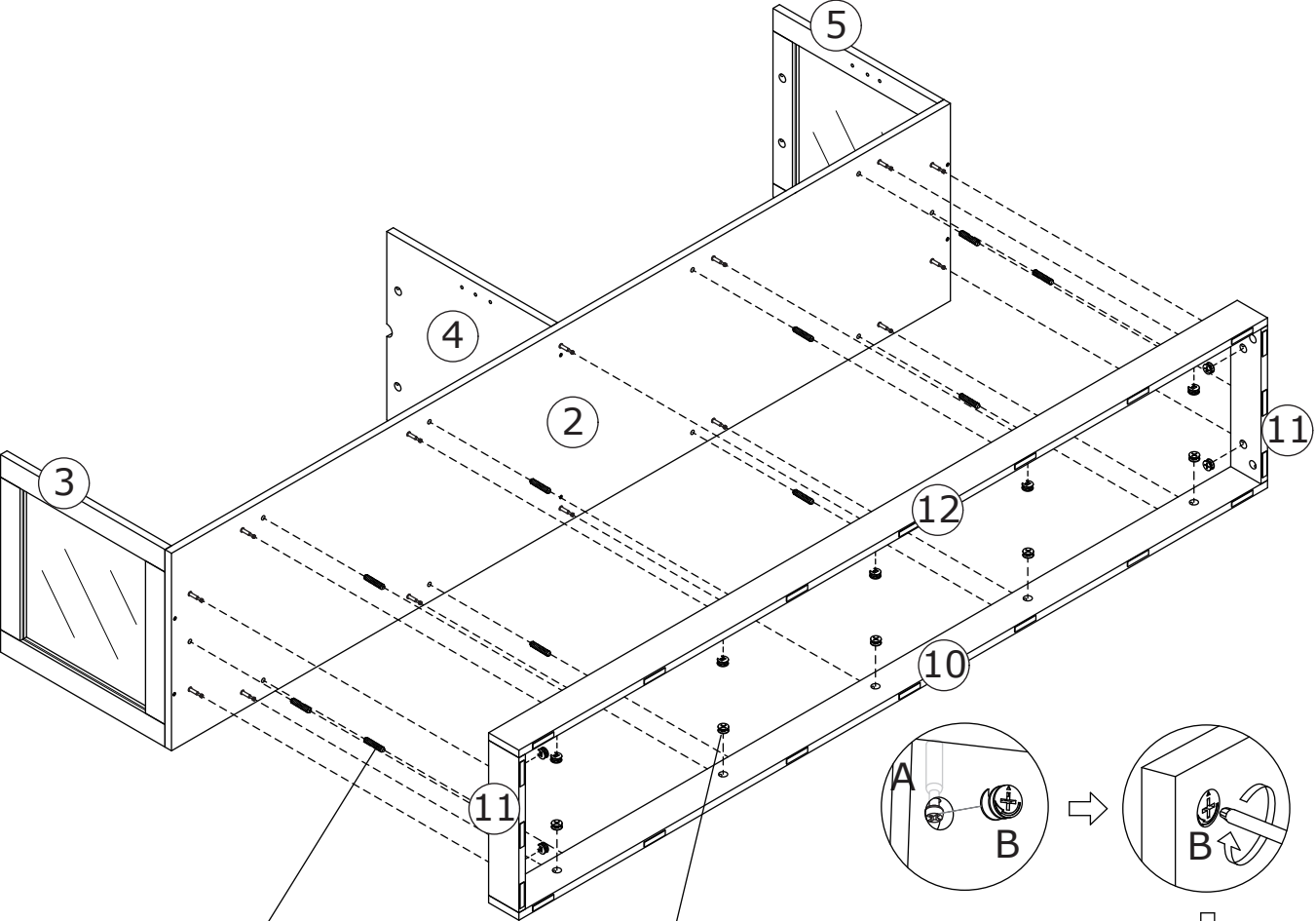
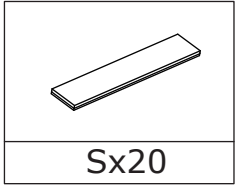
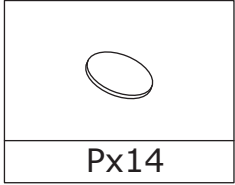
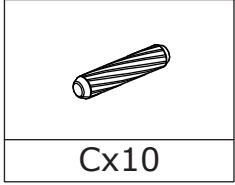
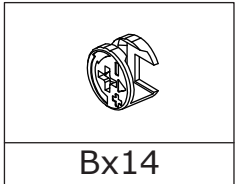
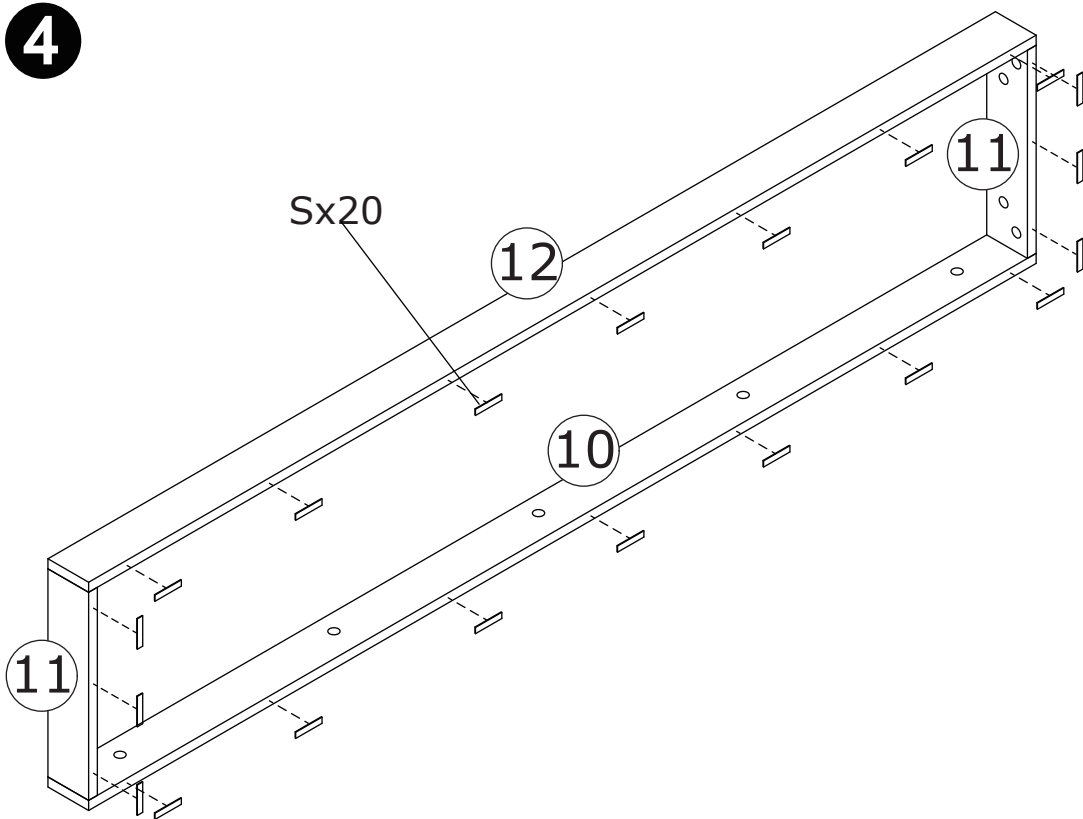
3



Tear off the film of plates 10 before assembly.

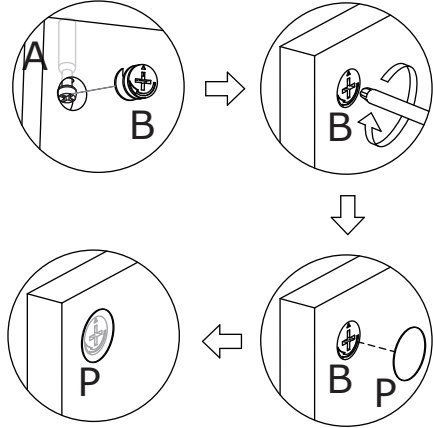


4

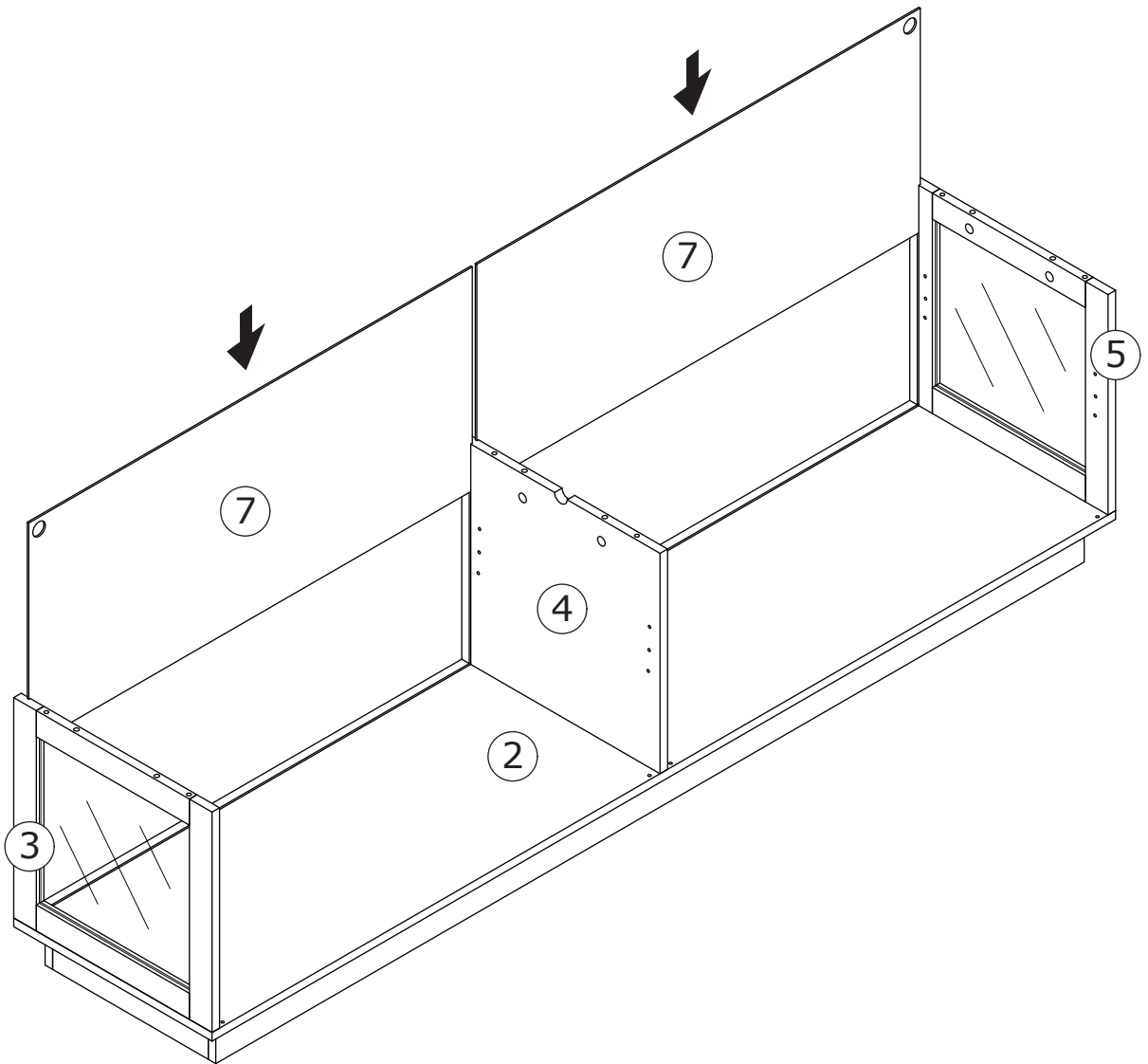


Cx10

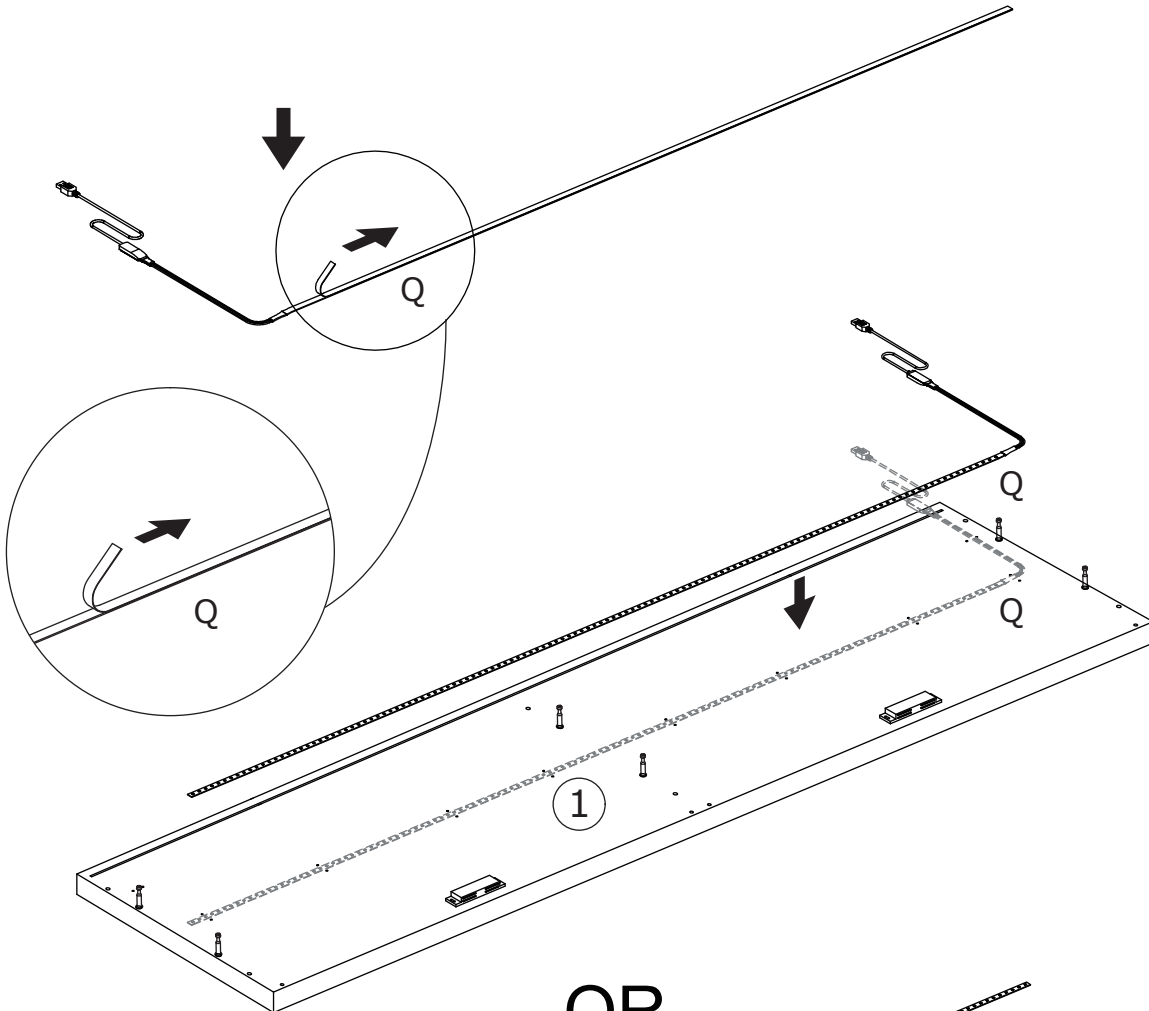
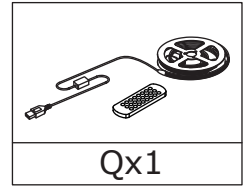
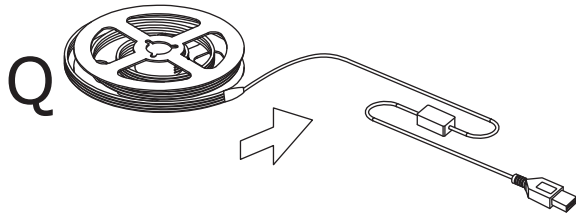
Bx14



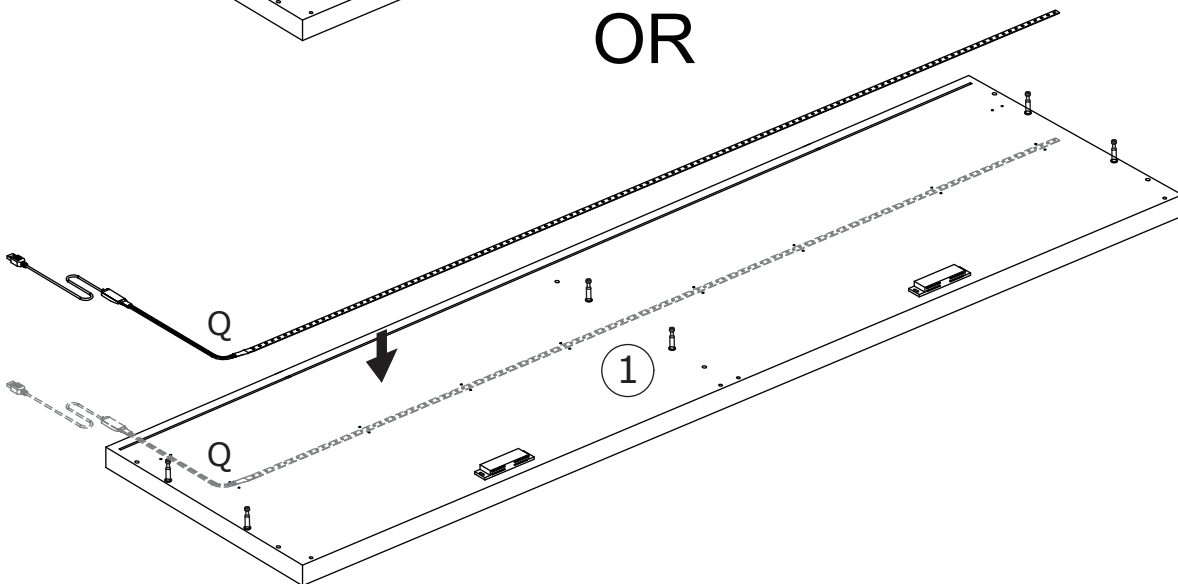
5



6



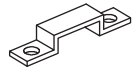
OR



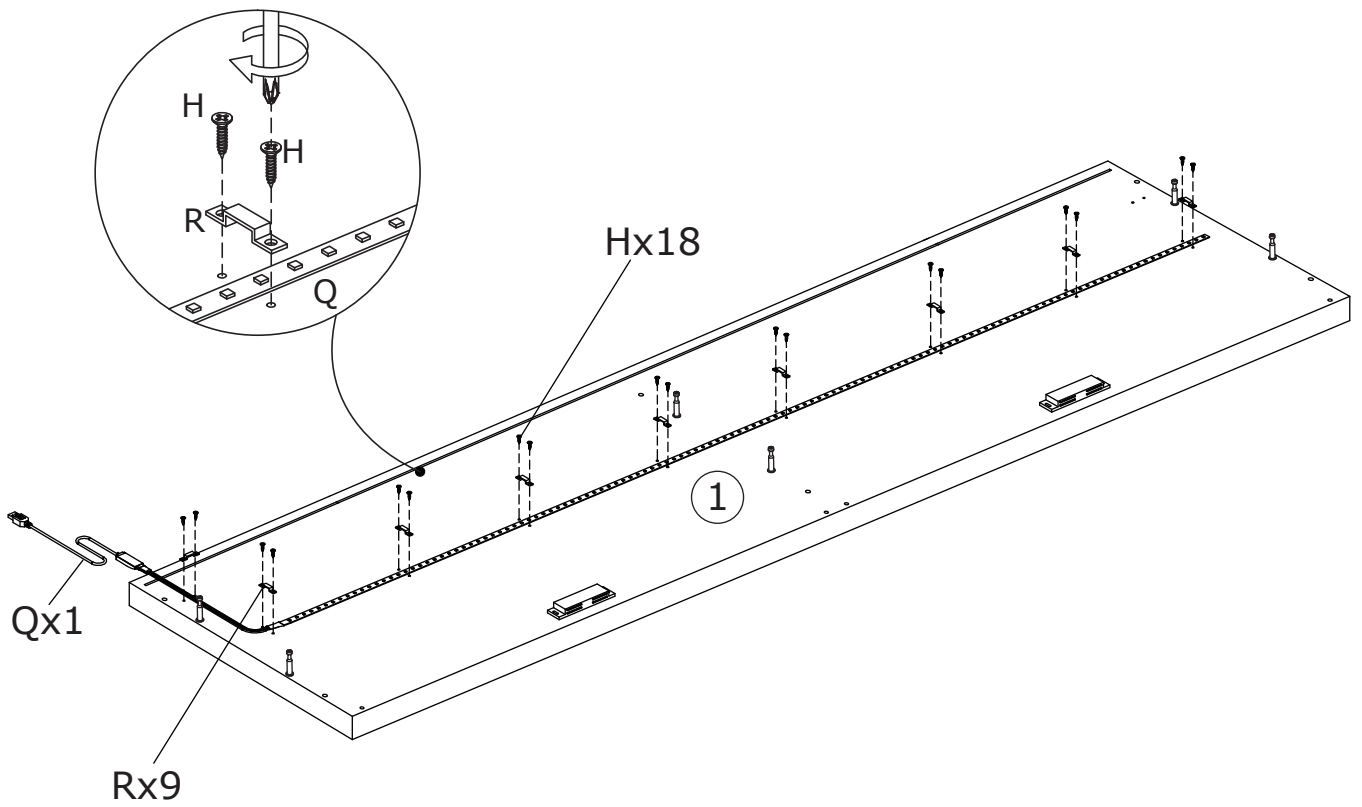
7



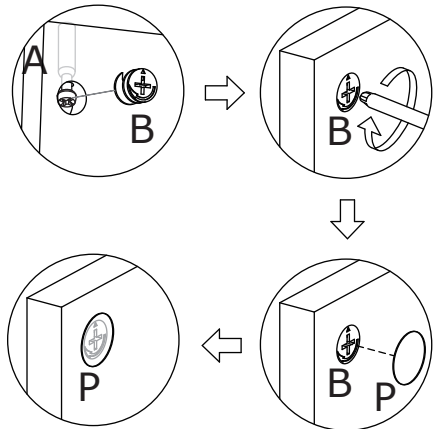
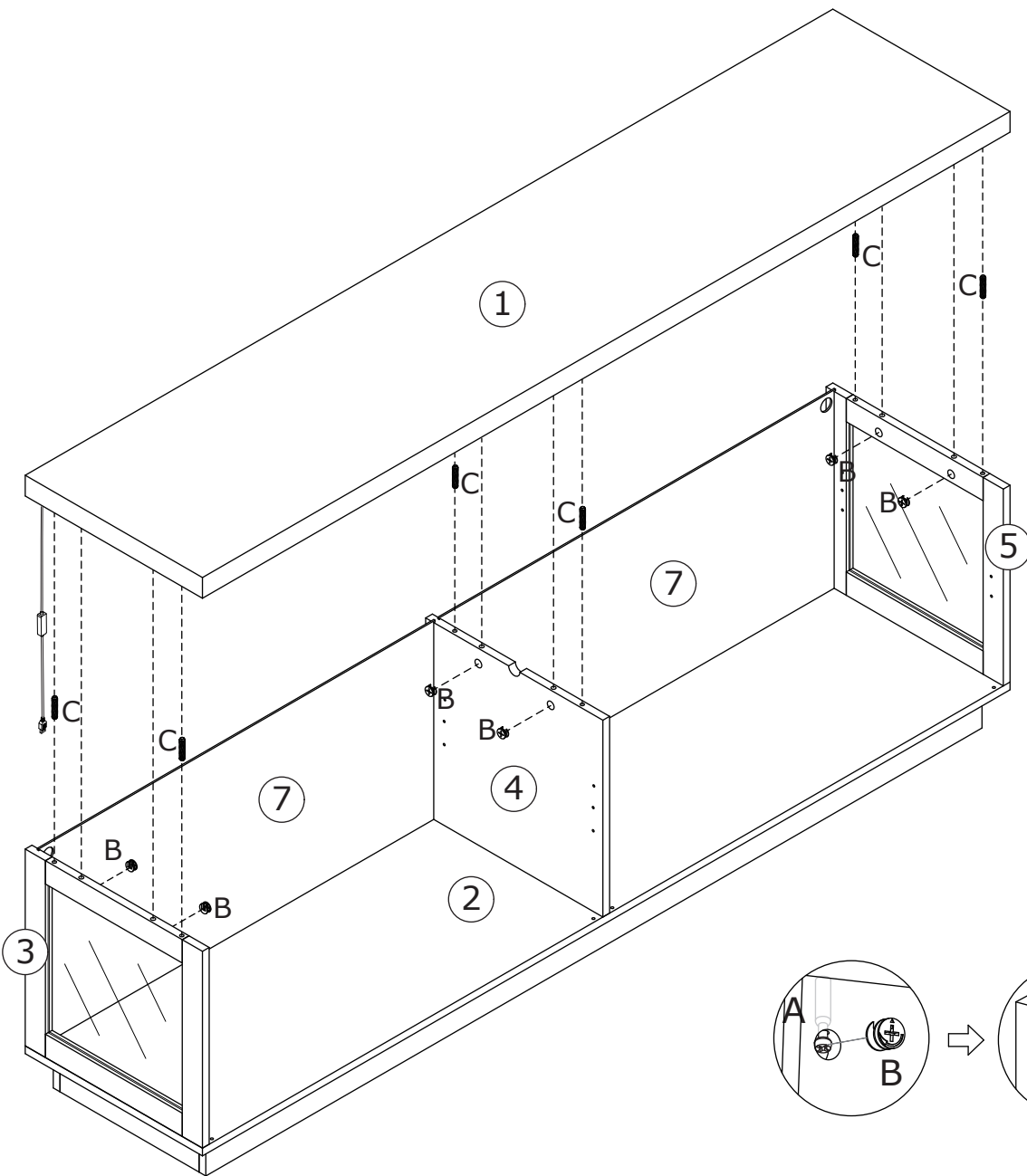
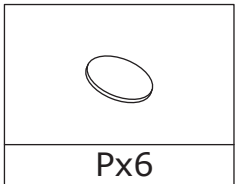
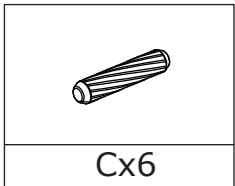
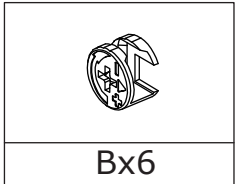
Hx18



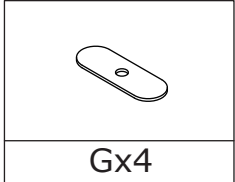
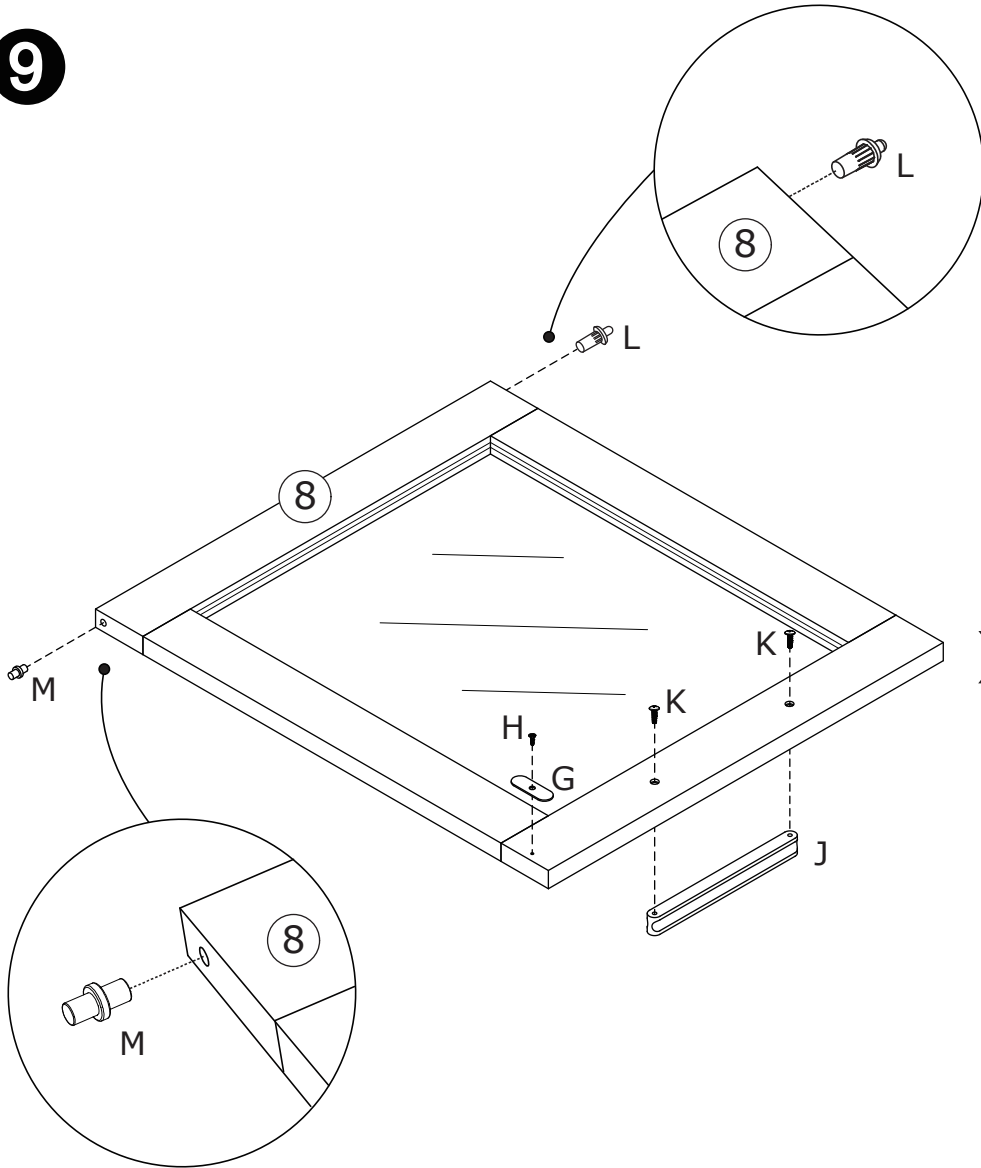
Rx9



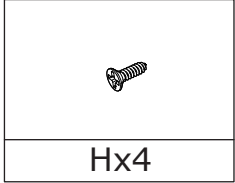
8



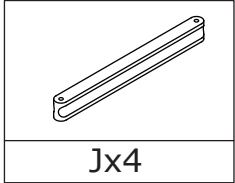
9



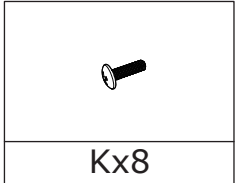
Gx4



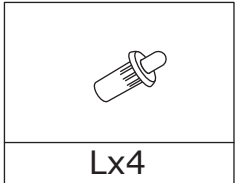
Hx4



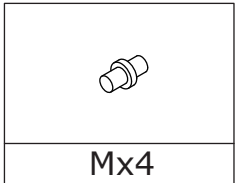
Jx4



Kx8



Lx4



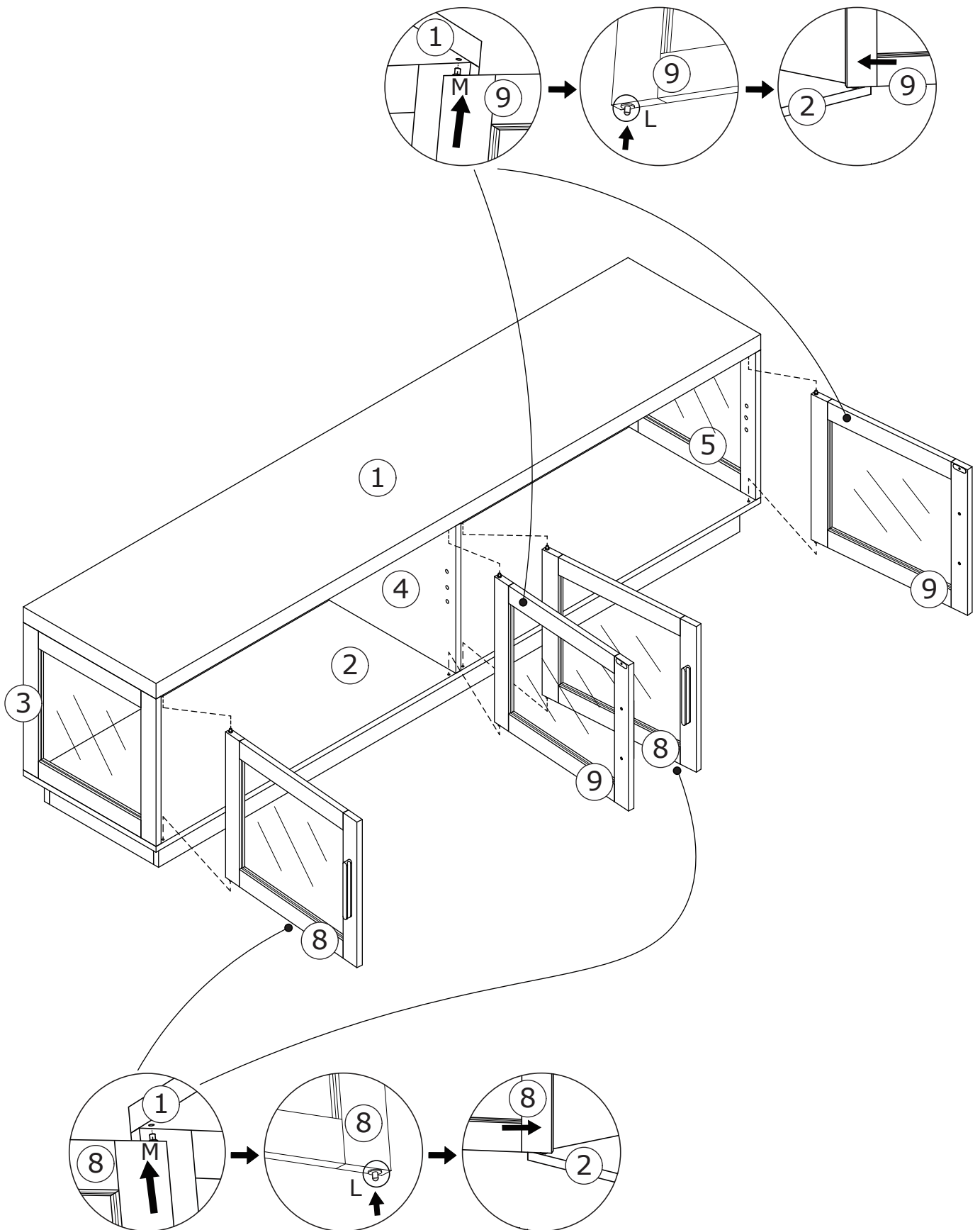
Mx4

x2

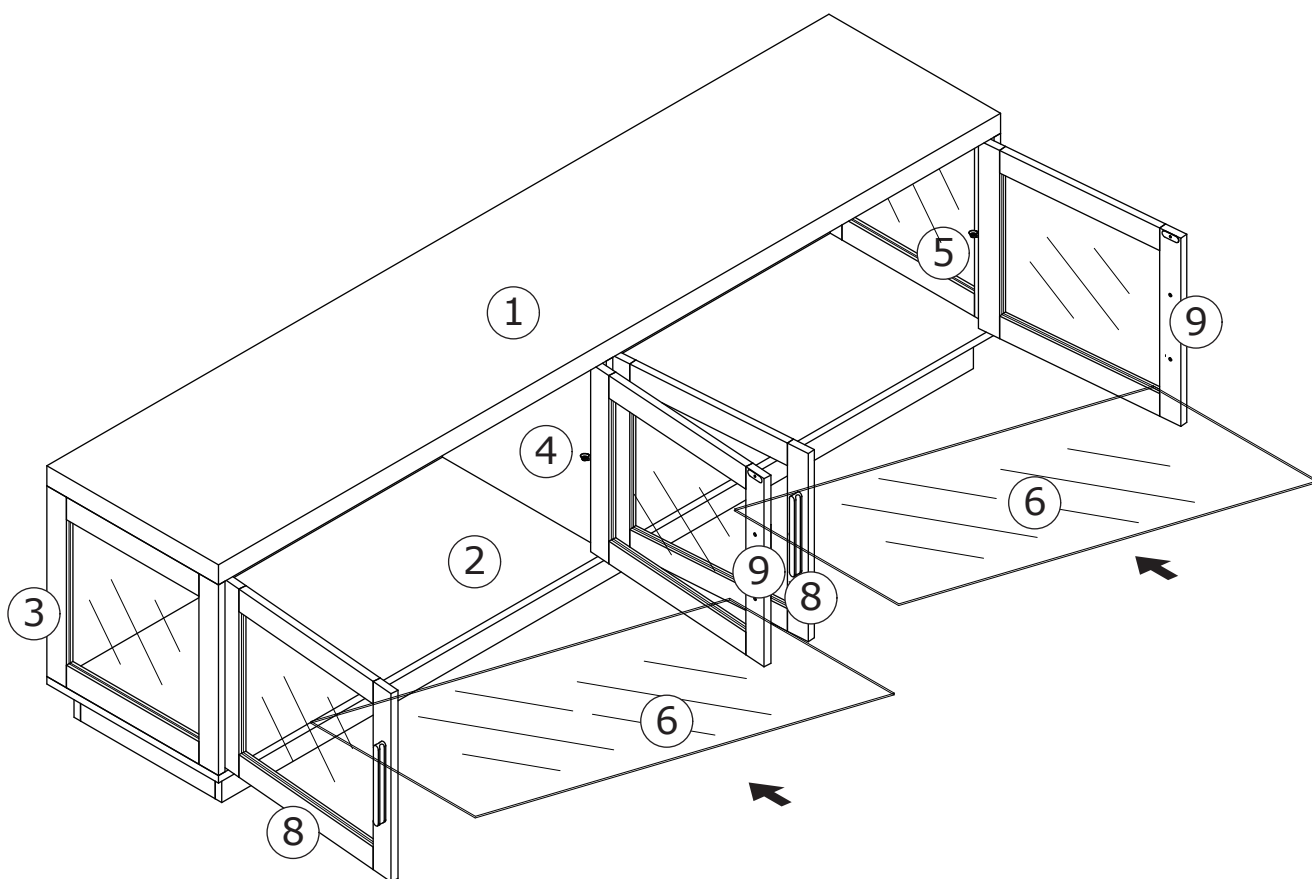
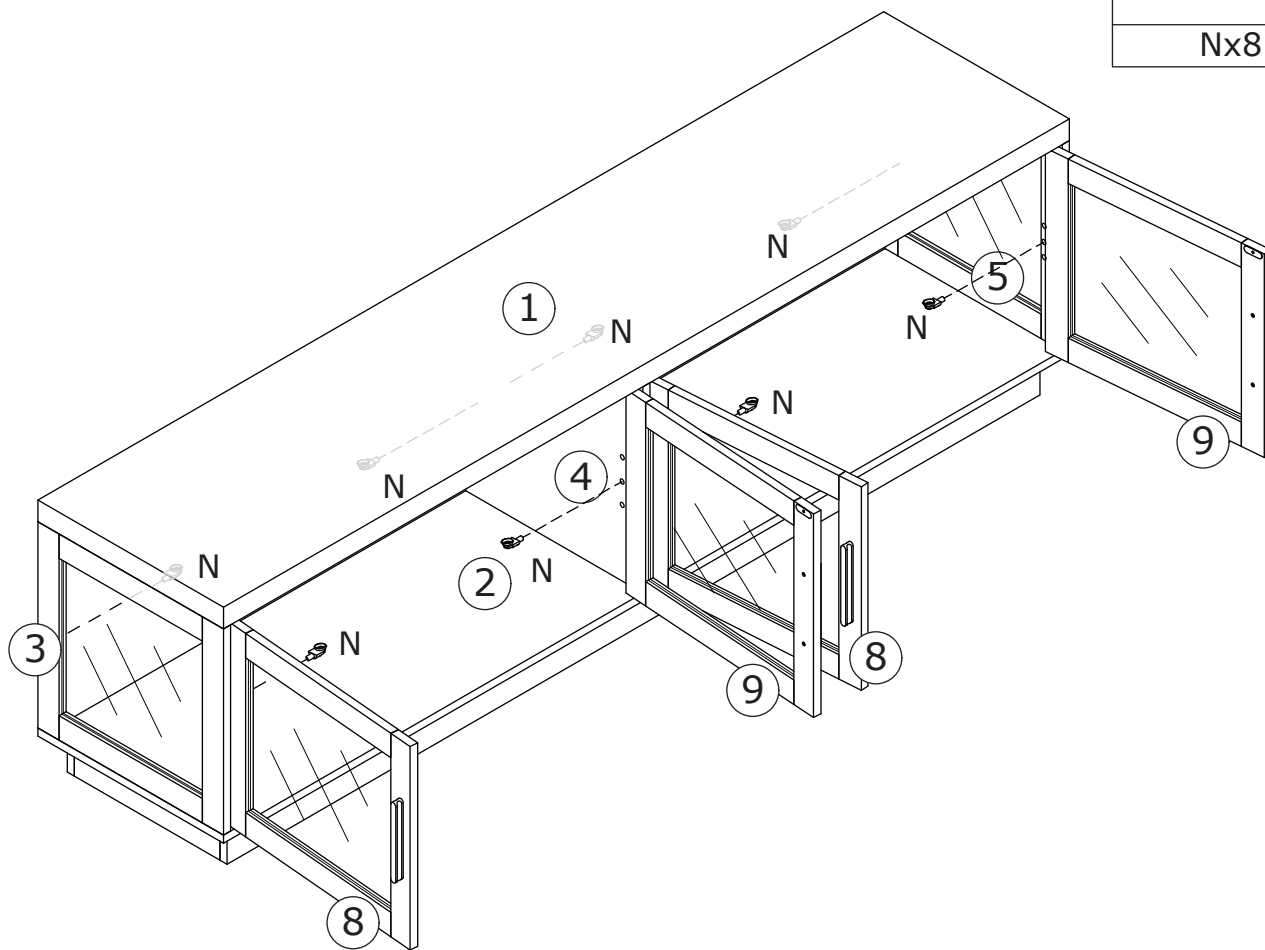
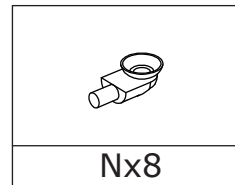
x2

Tear off the film of plates 8 and 9 before assembly.

10



11



12

