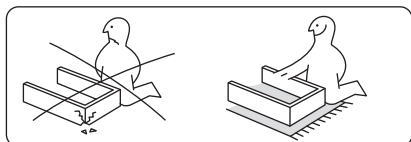
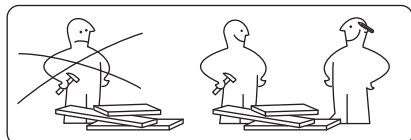


ASSEMBLY INSTRUCTIONS

A-1 PC



IMPORTANT!

Do not tighten too hard: this can damage boards. Please just screw 30%-50% until all the screws have been screwed into the holes.

B-3 PCS



C-9 PCS



D-3 PCS

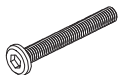


E-6 PCS



35mm

F-3 PCS

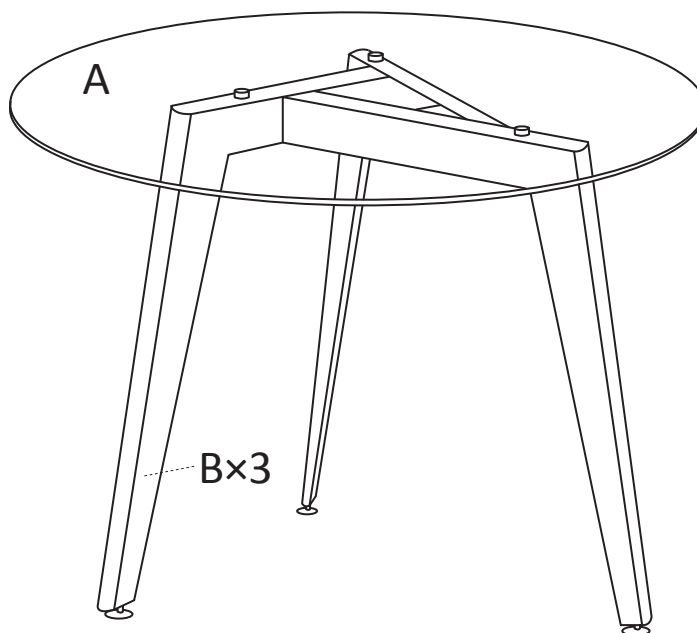


60mm

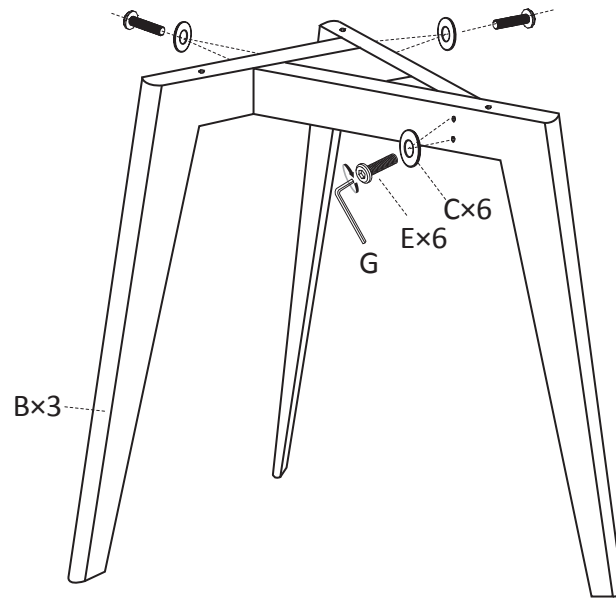
G-1 PC



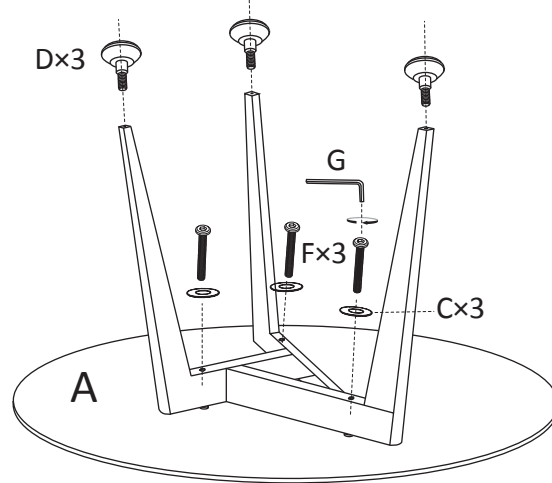
V-6 PC



1



2



3

