

W Series

Installation Instructions for Magnum/Champagne bottles (WS-MAG)

Parts List

- 1 Base strip
- 1 Neck strip
- 6 mounting hole caps
- 2 Plastic Couplers
- 4 Spiral drywall anchors
- 6 screws
- 2 toggle bolts

Required Tools

- Phillips head screw driver
- Level
- Pencil
- Tape Measure
- Drill

Installation Notes:

Concrete, Brick or Stucco: 3/16" x 1 1/4" masonry screw or #8 x 1 1/4 inch screw with appropriate size expanding concrete anchor - not included

VintageView Floor-to-Ceiling Frame (FCF-MAG or FCF-HD): Each FCF comes with self-drilling screws to attach WS-MAG series racks to the frames

Before you begin, choose the direction the bottle necks should point. Depending on which direction you choose note that the base strip should be lower than the neck strip.

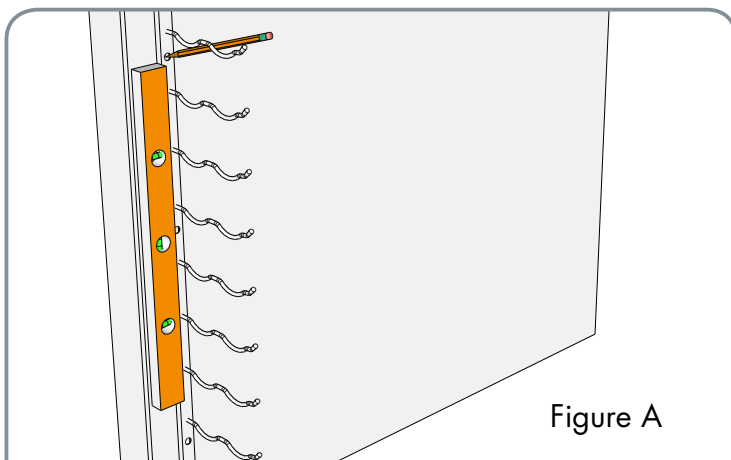


Figure A

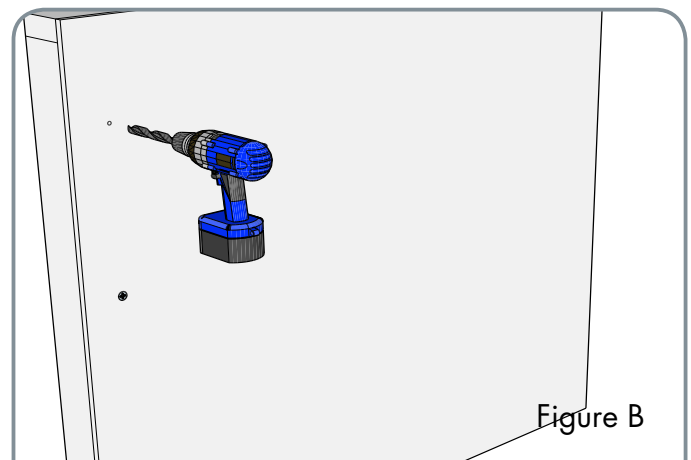


Figure B

1. Lay out the wall – Starting at least 3 1/4 in (83 mm) from adjacent wall or other obstructions, mark the centerline of the first strip. From there, measure 8 1/2 (216mm) to the centerline between the neck and base strip then mark locations.

2. Mark the hole location for the strip - Hold either the neck or base strip of the rack in place against the wall, centered on the first mark the appropriate distance above the floor. Ensure that the rack is plumb using a level and mark the hole locations with a pencil then set the strip aside.

Pro Tip: If installing multiple columns, mark the centerline for the next strip 6 1/2 inches (139.7mm) from the second mark and mark again 8 1/2 inches (190.5mm) from that mark for the distance between the neck and the base strips of the second column. To lay out additional columns, mark the wall, alternating between 6 1/2 and 8 1/2 inches.

Note: The dimensions above are recommended for with 1.5L (Magnum) bottles only. If using the racks to store 750L Champagne style bottles, the first mark should be at least 3 1/4 in (83mm) from adjacent walls or other obstructions, then 7 1/2 in (190.5mm) between centerlines of the base and neck strip, with 6 1/2 in (165mm) between centerlines of the neck and base strips of the next rack if installing multiple columns.

Instructions

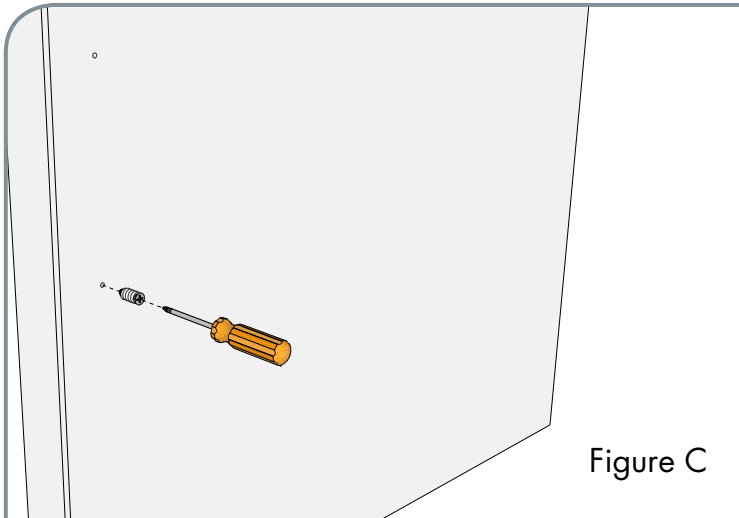


Figure C

3a. Install the Anchors for Drywall –

Drill 1/16 in (1.5mm) pilot holes at the marked locations to check for studs. For the lower two holes use a Phillip's head screw driver to screw the Spiral Drywall Anchors in the wall until the anchor is flush with the wall. For the top mounting point, drill a 13/32 in (10.3mm) hole for a Toggle Bolt.

3b. Install the Anchors for Wood –

Use the extra screw provided to directly fasten strip into wall.

4. Hang the first strip –

Take a toggle bolt and remove the expanding nut. Insert the bolt through the top mounting hole of either the base or neck strip. With the wings of the nut oriented to fold toward the head of the bolt, thread the expanding nut onto the bolt so the tip of the bolt starts to protrude from the end of the nut. Hold the strip so the toggle bolt aligns with the top hole and gently push the expanding nut through the wall. Ensure that the wings have fully expanded on the back side of the wall and gently tighten the bolt, verifying that the necks remain level. Secure the rest of the strip in place through the bottom two mounting holes with the provided screws and fully tighten the toggle bolt.

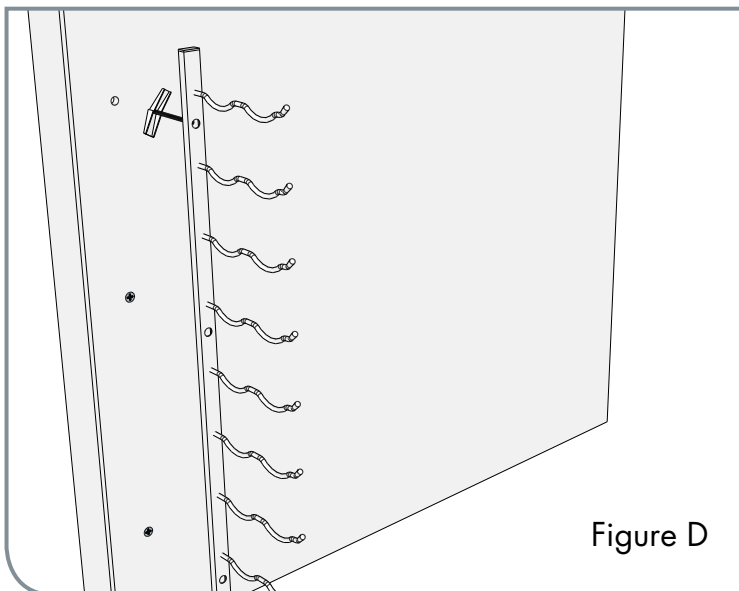


Figure D

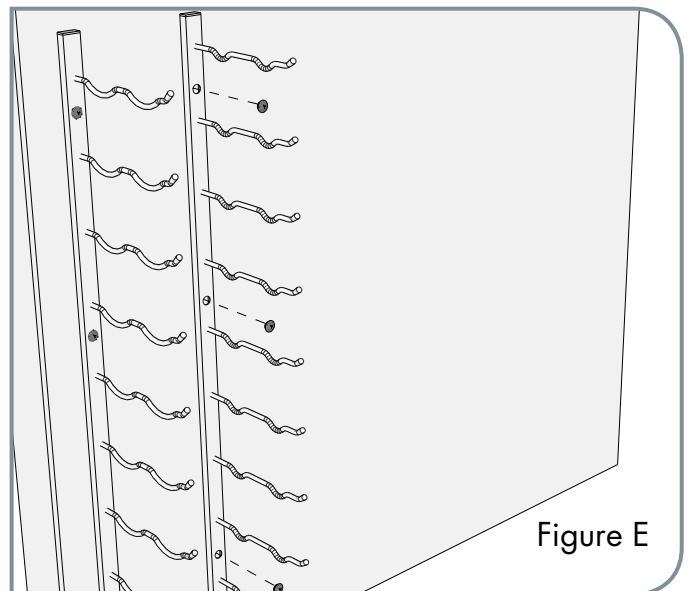


Figure E

5. Hang the second strip – Repeat steps 2 through 4 with the second strip, centering it horizontally with the second mark on your wall from Step 1 and ensuring that the tops of the strips are even with each other.

6. Install mounting hole caps in the 1/2 in holes on the face of the rack by pressing into place.

7. Add Wine Only the good stuff. This is a magnum wine rack, after all.

Note: VintageView W Series racks are designed to stack, one on top of the other. Remove the endcaps from the racking and use the supplied couplers to align the two racks when stacking.