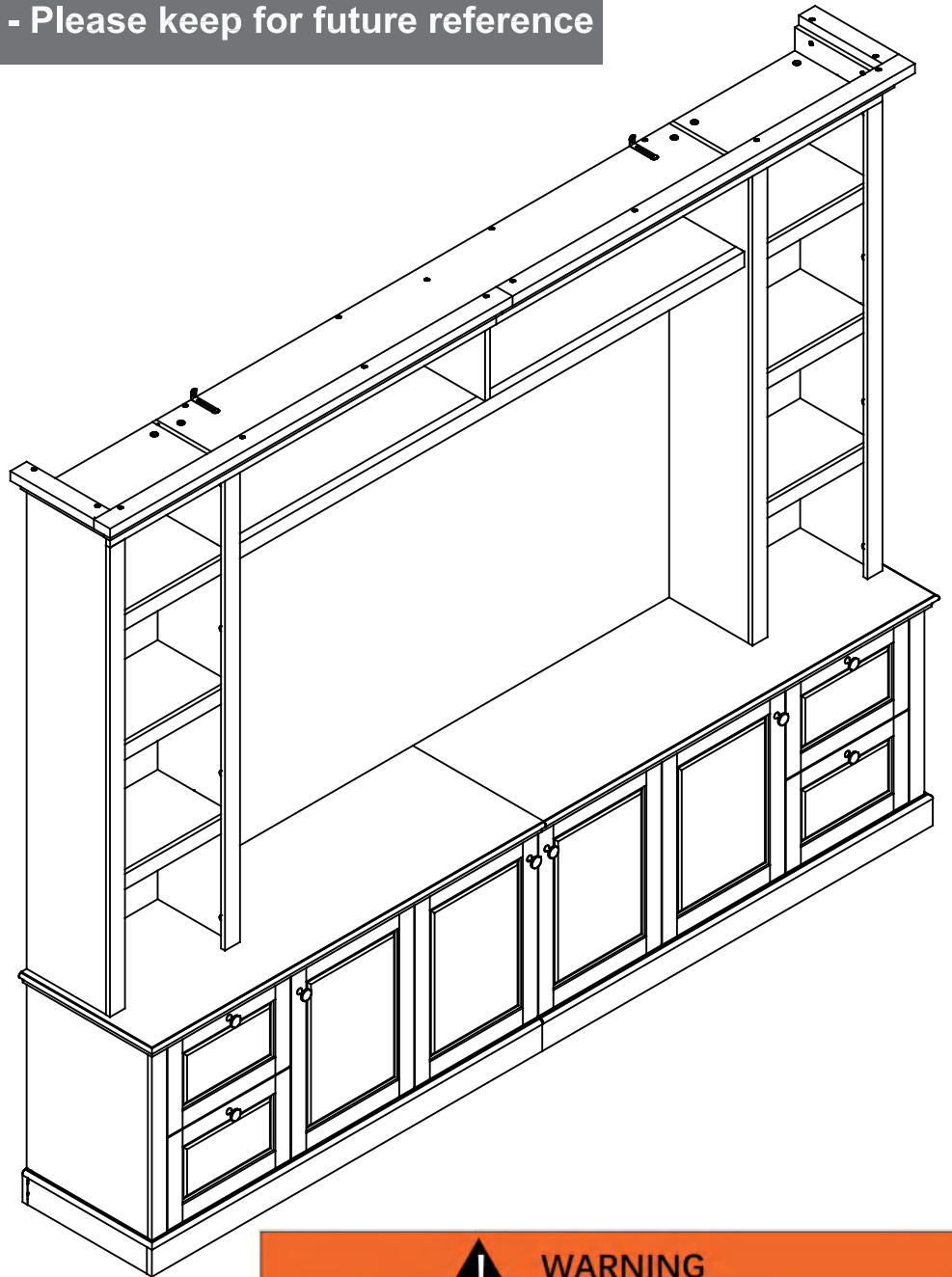


TV Stand

Assembly Instructions - Please keep for future reference



Dimensions

Width- 94.5inch

Depth- 15.75inch

Height- 75.5inch



WARNING



This product is NOT a Clothing Storage Unit (CSU).
DO NOT use it for clothing storage.
Improper use may cause furniture tipover.

Important – Please read these instructions fully before starting assembly



Safety and Care Advice

Important – Please read these instructions fully before starting assembly

- Check you have all the components and tools listed on the following pages.
- Remove all fittings from the plastic bags and separate them into their groups.
- Keep children and animals away from the work area, small parts could choke if swallowed.
- Make sure you have enough space to layout the parts before starting.

- During assembly do not stand or put weight on the product, this could cause damage.
- Assemble the item as close to its final position (in the same room) as possible.
- Assemble on a soft level surface to avoid damaging the unit or your floor.
- Parts of the assembly will be easier with 2 people.



power drill is set on a low torque setting.

- To reduce the likelihood of damaging your product please ensure that your

Care and maintenance

- Only clean using a damp cloth and mild detergent, do not use bleach or abrasive cleaners.
- From time to time check that there are no loose screws on this unit.
- This product should not be discarded with household waste. Take to your local authority waste disposal centre.

Handy Hints

- Assemble all parts and bolts loosely during assembly, only once the product is complete should you fully tighten the bolts
- Regularly check and ensure That all bolts and fittings are tightend properly.

WARNING
In order to help prevent overturning – please follow these instructions

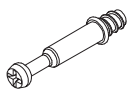
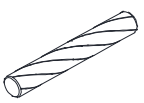

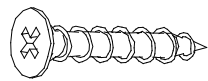
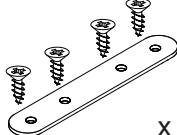
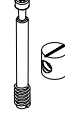

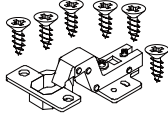

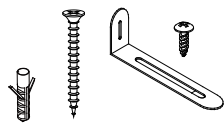
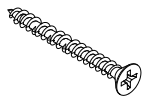

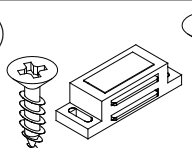
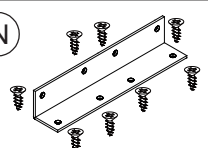
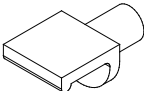
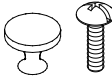
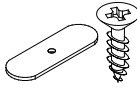
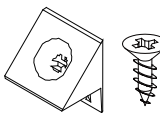

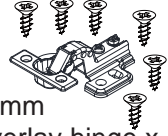
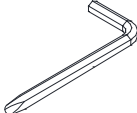

To help prevent product toppling over please follow the below steps:-

- Use the anti tip stap or wall fixing method provided (if applicable)
- Do not allow children to climb or hang on the furniture
- Do not open more than one drawer at a time
- Do not place heavy items in the top drawers
- Do not place heavy items on top of the furniture, unless the furniture has been designed for this purpose

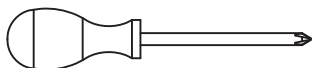
Components - Fittings

Please check you have all the panels listed below

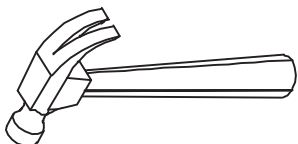
Note: The quantities below are the correct amount to complete the assembly. In some cases more fittings may be supplied than are required

<p>(A)  Cam Bolt x 118+2</p>	<p>(B)  6*30mm Dowel x 108+2</p>	<p>(C)  Cam lock x 120+2</p>	<p>(D)  4*25mm Screw x 12+1</p>
<p>(E)  x 1set</p>	<p>(F)  x 2set</p>	<p>(G)  4*30mm Screw x 34+2</p>	<p>(H)  3.5*14mm Hinge x 4set</p>
<p>(I)  4*20mm Screw x 12+1</p>	<p>(J)  Anti-tipping Device x2</p>	<p>(K)  4*40mm Screw x 28+2</p>	<p>(L)  6*40mm Dowel x 8+1</p>
<p>(M)  x 3set</p>	<p>(N)  x 2set</p>	<p>(O)  Shelf support pin x 12+1</p>	<p>(P)  4*20mm Handle x 8set</p>
<p>(Q)  x 6set</p>	<p>(R)  x 20set</p>	<p>(S)  Foot pad x12</p>	<p>(T)  3.5*14mm half-overlay hinge x 8set</p>
<p>(U)  Allen key x 1</p>	<p>(V)  Perfect fit x 90</p>		

Tools required Not Included



Phillips screwdriver
(medium & large)



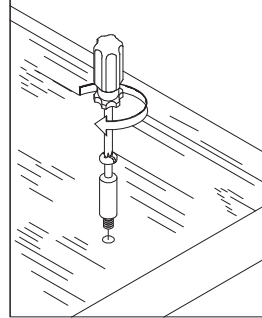
Using Camlocks

Step 1

Connect the male camlock as directed in the assembly instructions using a screwdriver.

1

DO NOT OVER TIGHTEN.
NE PAS SERRER EXCESSIVEMENT.



Step 2

Push the male camlock into the entry hole.

2

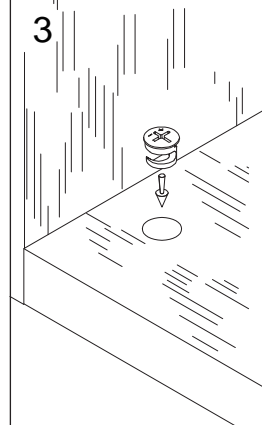


Step 3

Insert the female camlock as shown in the instruction.

Note: ensure that the arrow on the top of the camlock points towards the entry hole for the male camlock.

3



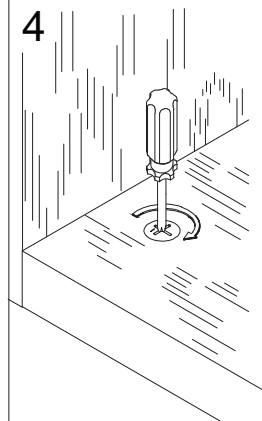
Step 4

Turn the female camlock clockwise with a screwdriver.

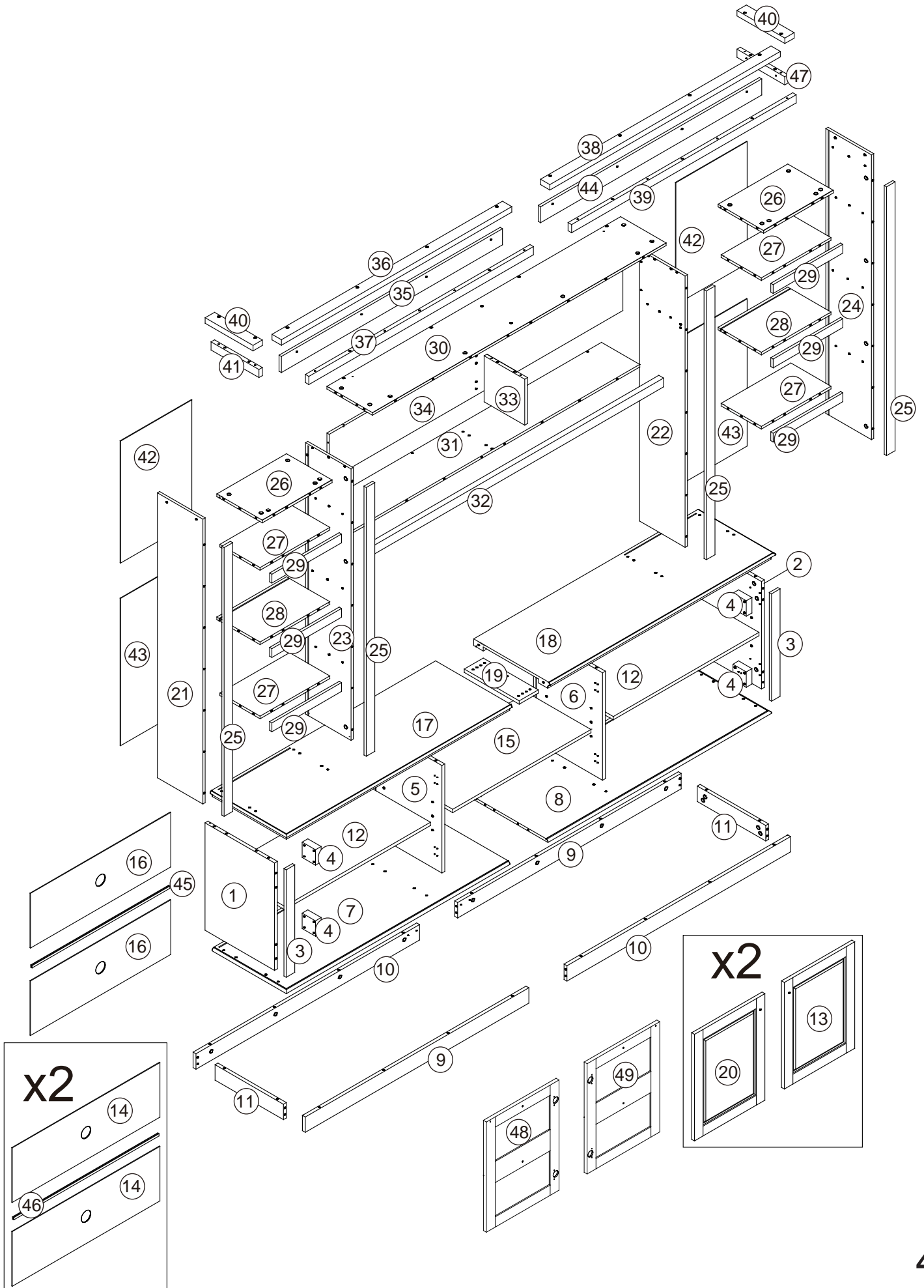
You should feel a click when the camlock is locked in place.

The joint is now secure.

4



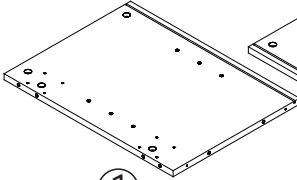
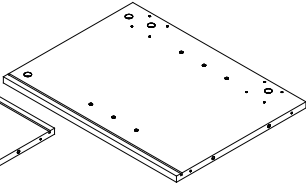
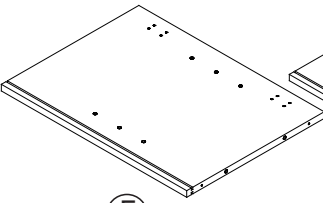
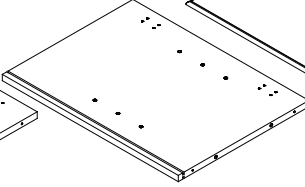
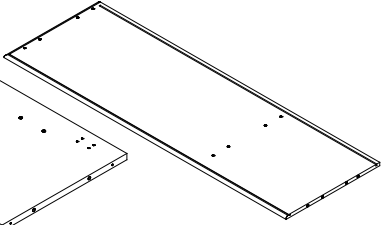
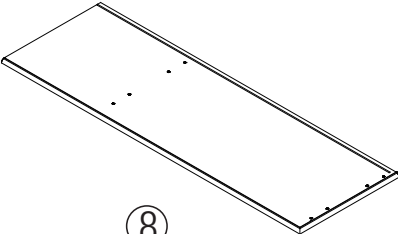
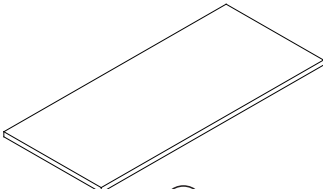
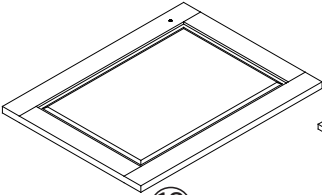
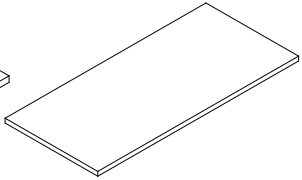
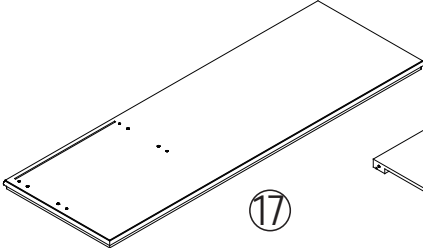
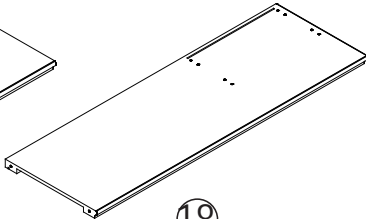
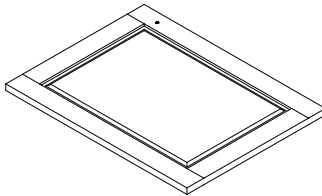
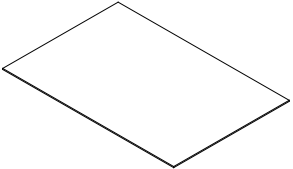
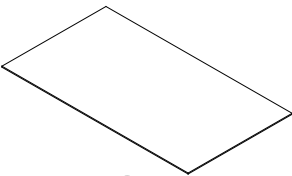
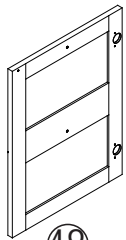
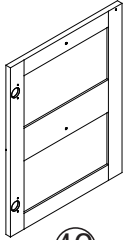
Assembly Instructions



PART LIST

This product comes in 2 box.

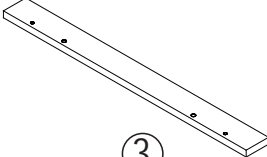
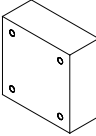
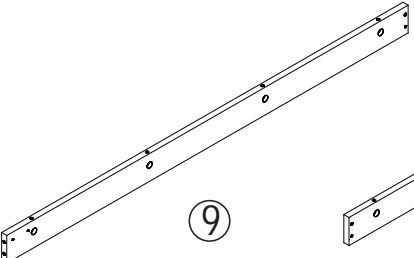
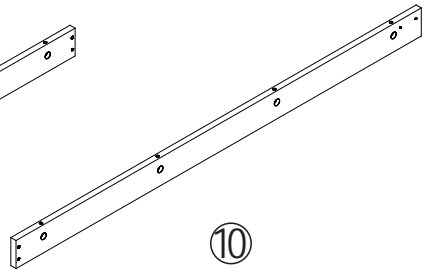
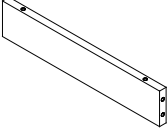
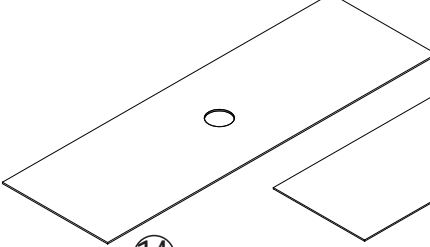
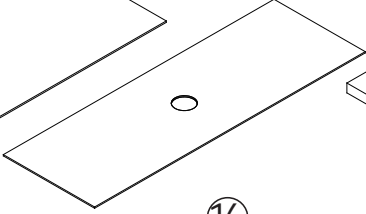
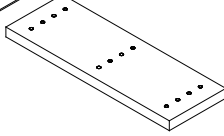
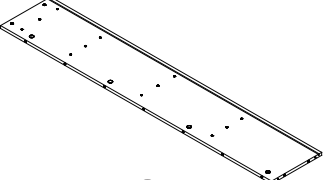
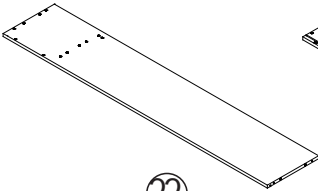
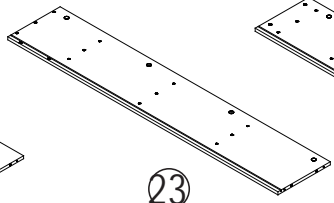
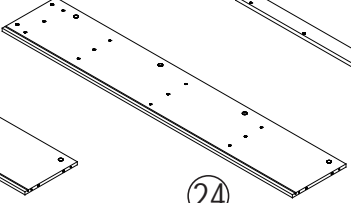
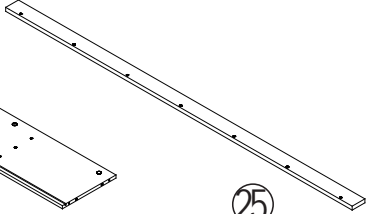
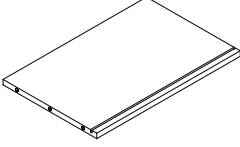
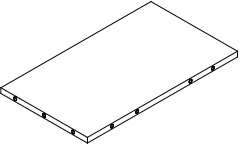
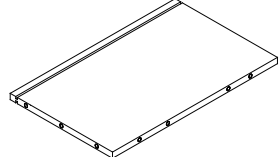
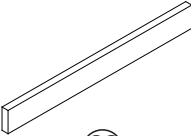
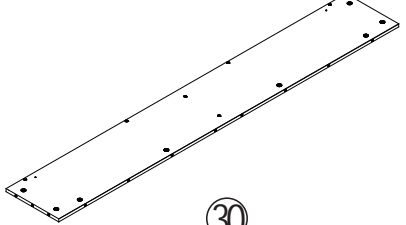
N710P390119

 <p>① x1 488x365x15mm</p>	 <p>② x1 488x365x15mm</p>	 <p>⑤ x1 488x362x15mm</p>	 <p>⑥ x1 488x362x15mm</p>	 <p>⑦ x1 1174x390x12mm</p>
 <p>⑧ x1 1174x390x12mm</p>	 <p>⑫ x2 765x335x15mm</p>	 <p>⑬ x2 484x369.5x15mm</p>	 <p>⑮ x1 726x335x15mm</p>	
 <p>⑰ x1 1184x400x30mm</p>	 <p>⑱ x1 1184x400x30mm</p>	 <p>⑳ x2 484x369.5x15mm</p>	 <p>④② x2 554x374x3mm</p>	
 <p>④③ x2 669x374x3mm</p>	 <p>④⑧ x1 484x369.5x15mm</p>	 <p>④⑨ x1 484x369.5x15mm</p>		

PART LIST

This product comes in 2 box.

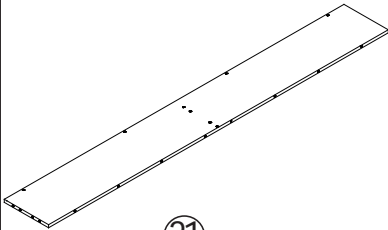
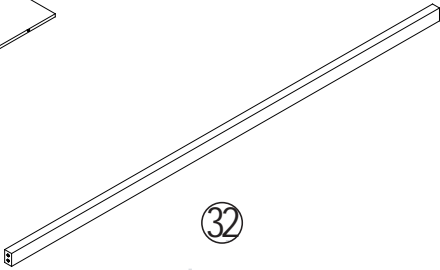
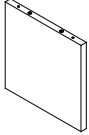
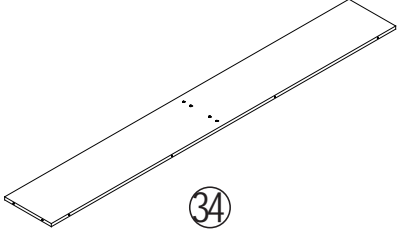
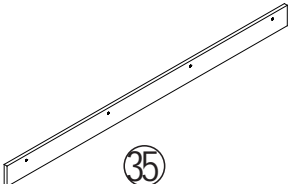
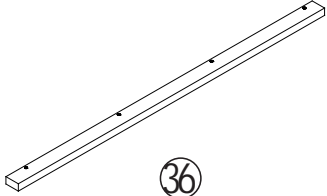
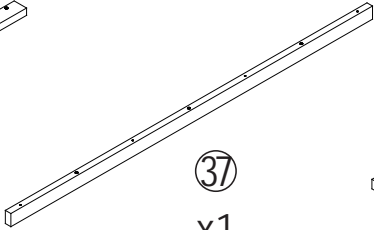
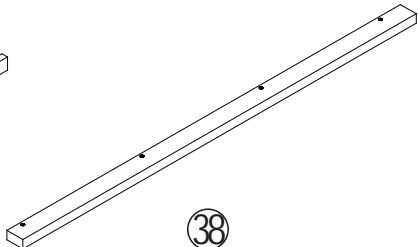
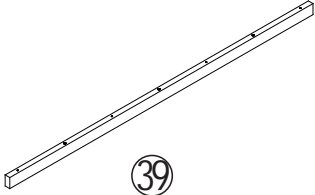
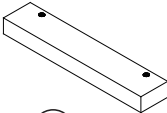
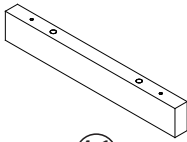
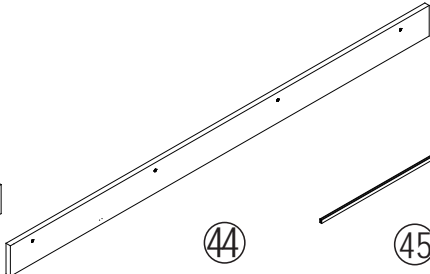

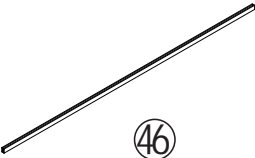
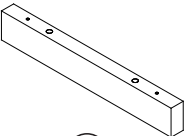

N710P390120

 <p>③ x2 488x45x12mm</p>	 <p>④ x4 70x70x30mm</p>	 <p>⑨ x2 1174x70x15mm</p>	 <p>⑩ x2 1174x70x15mm</p>	
 <p>⑪ x2 359x70x15mm</p>	 <p>⑭ x4 775x248x3mm</p>	 <p>⑯ x2 736x248x3mm</p>	 <p>⑲ x1 289x100x15mm</p>	 <p>⑳ x1 1294x239x12mm</p>
 <p>㉒ x1 1233x239x12mm</p>	 <p>㉓ x1 1233x239x12mm</p>	 <p>㉔ x1 1294x239x12mm</p>	 <p>㉕ x4 1221x45x12mm</p>	 <p>㉖ x2 366x239x12mm</p>
 <p>㉗ x4 366x211x12mm</p>	 <p>㉘ x2 366x227x15mm</p>	 <p>㉙ x6 366x40x12mm</p>	 <p>㉚ x1 1542x239x12mm</p>	

PART LIST

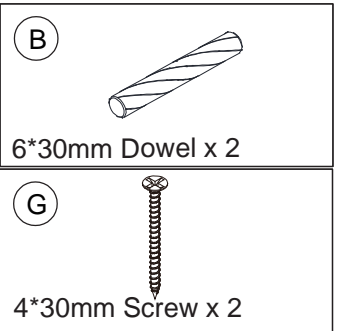
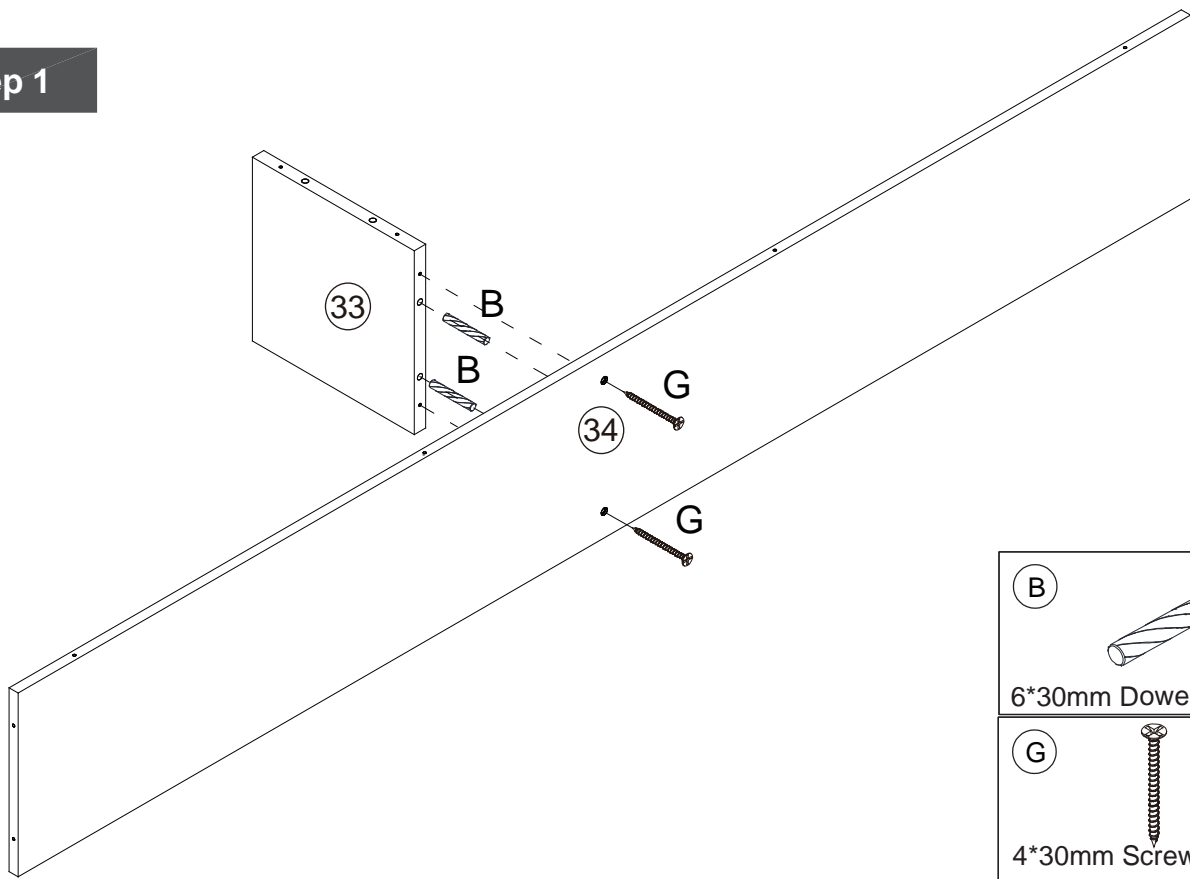
This product comes in 2 box.

N710P390120

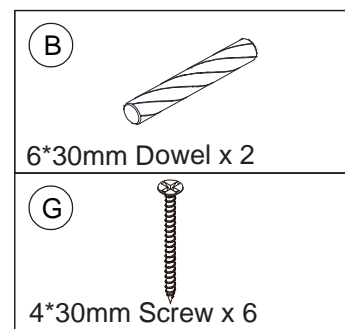
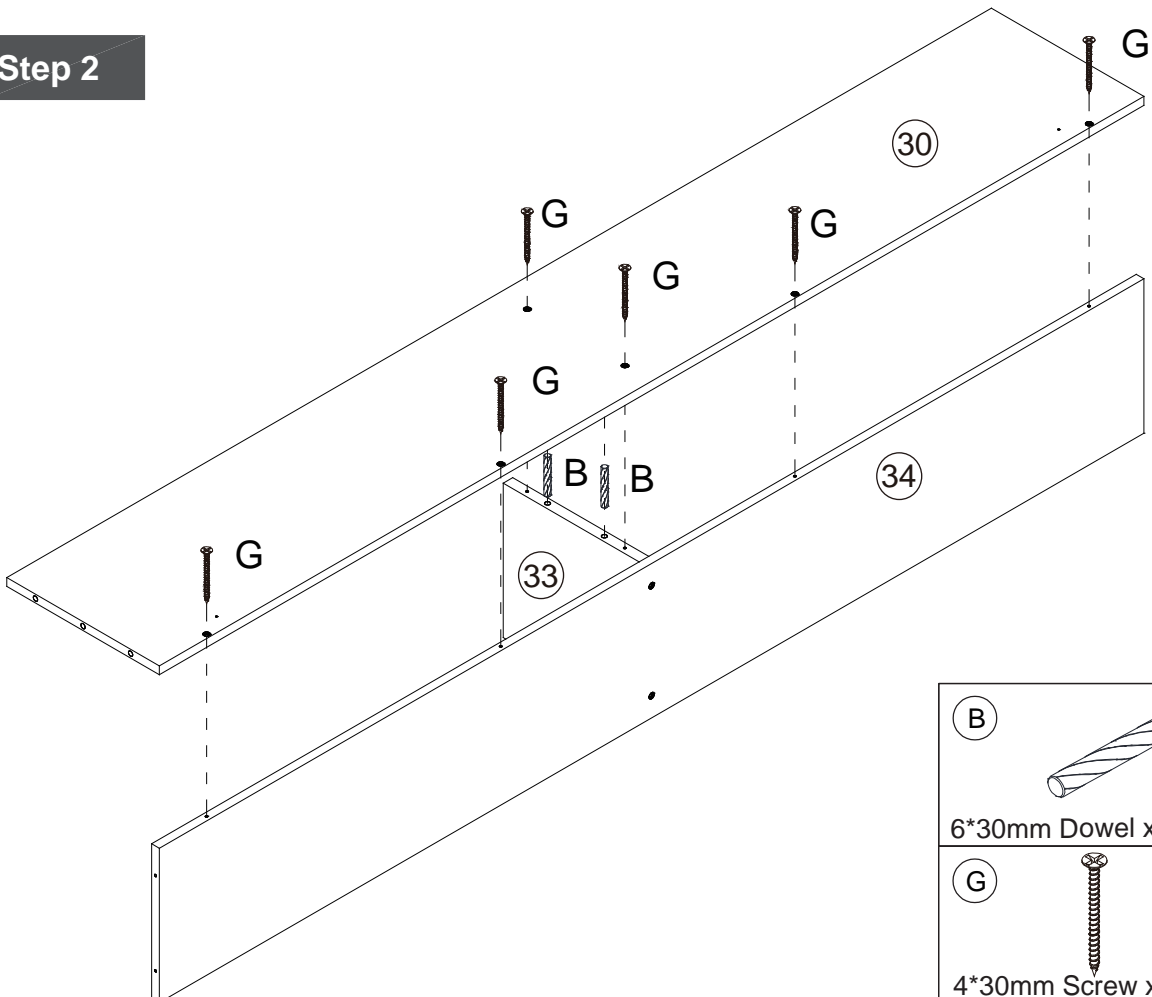
 ③① x1 1542x201x12mm	 ③② x1 1542x40x25mm	 ③③ x1 213x209x15mm	 ③④ x1 1542x209x12mm	
 ③⑤ x1 1161x73x12mm	 ③⑥ x1 1210x49x25mm	 ③⑦ x1 1179.5x37x18mm	 ③⑧ x1 1210x49x25mm	
 ③⑨ x1 1179.5x37x18mm	 ④⑩ x2 251x49x25mm	 ④⑪ x1 251x49x18mm	 ④④ x1 1161x73x12mm	 ④⑤ x1 723mm
 ④⑥ x2 762mm	 ④⑦ x1 251x49x18mm	 Hardware kit x1		

Assembly Instructions

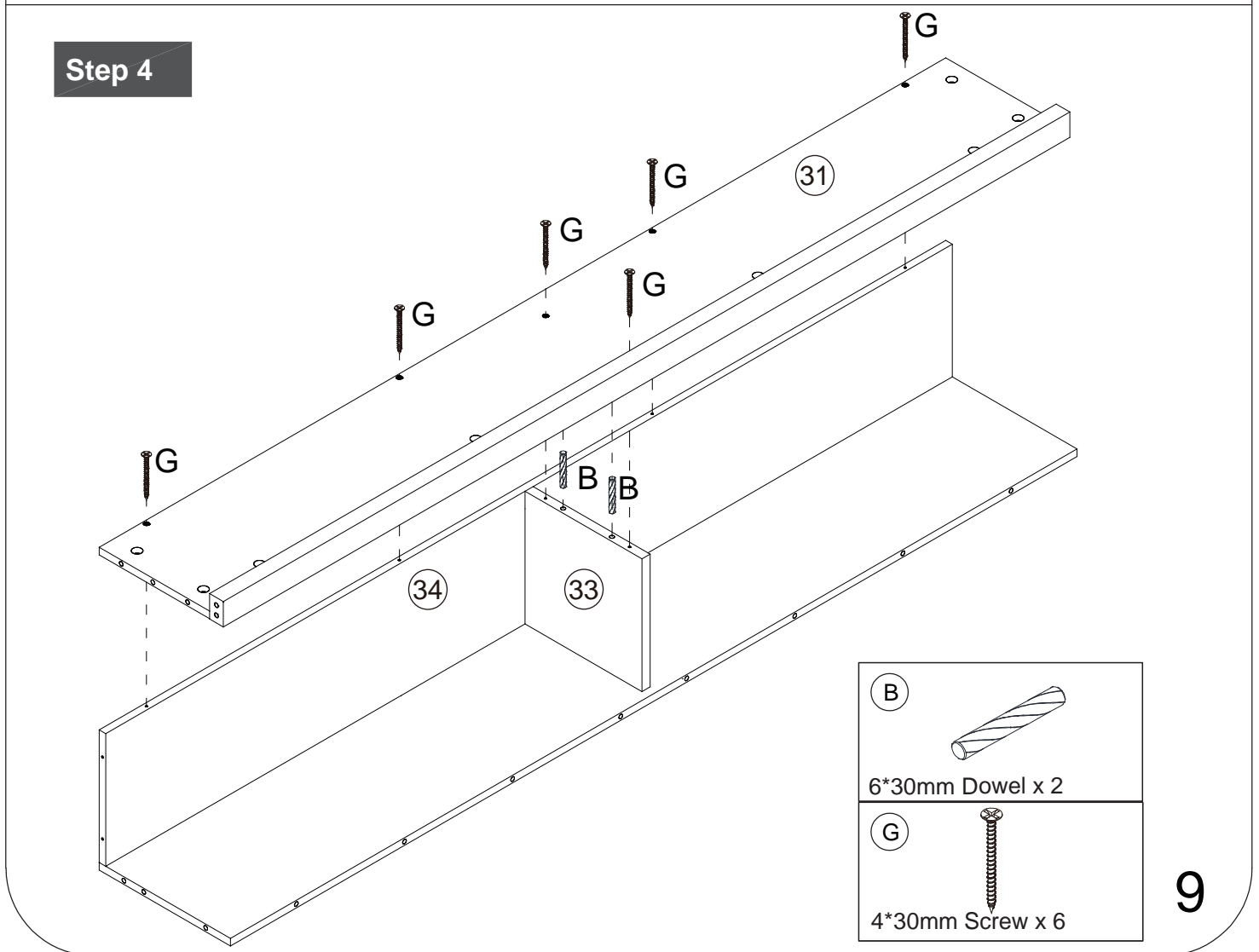
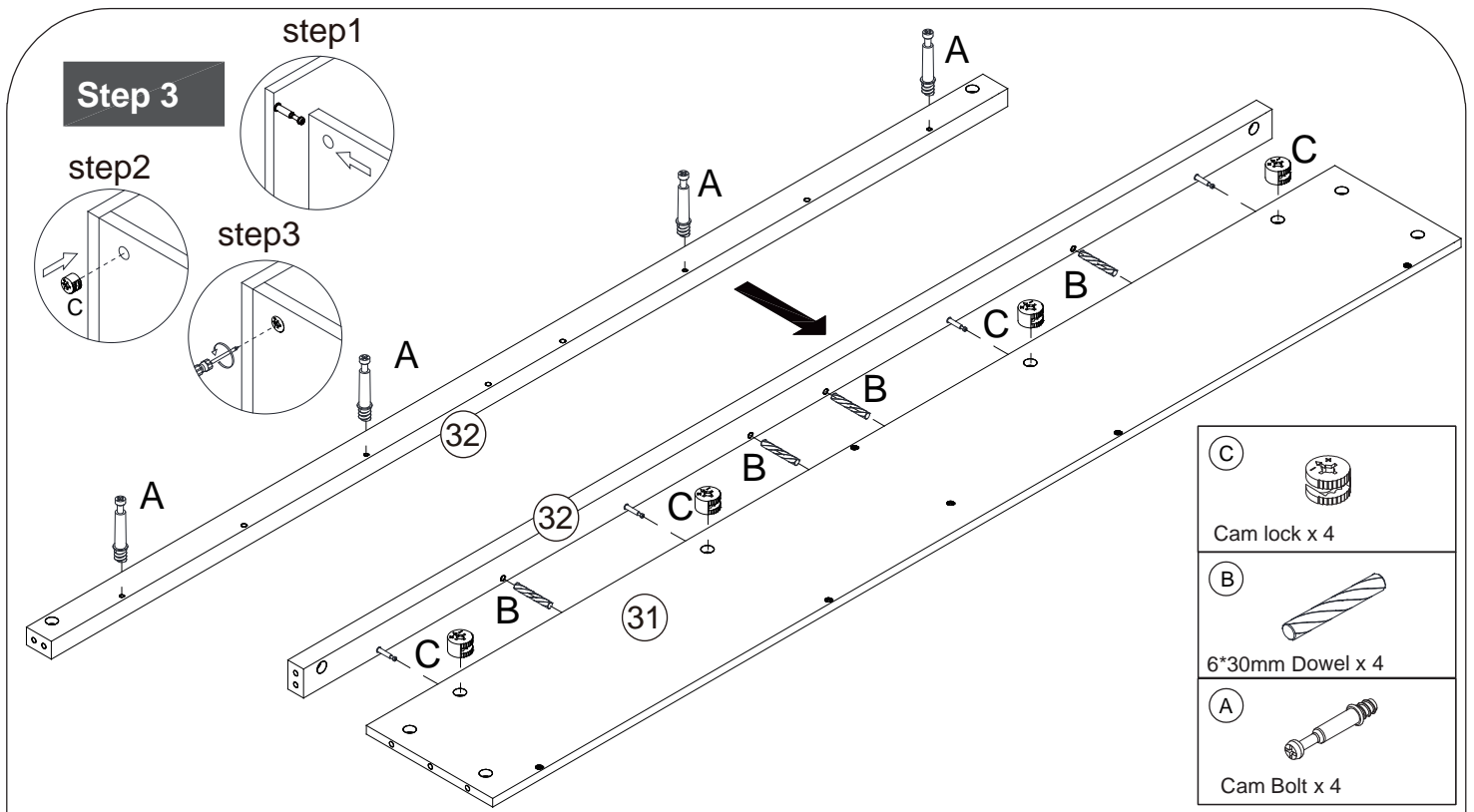
Step 1



Step 2

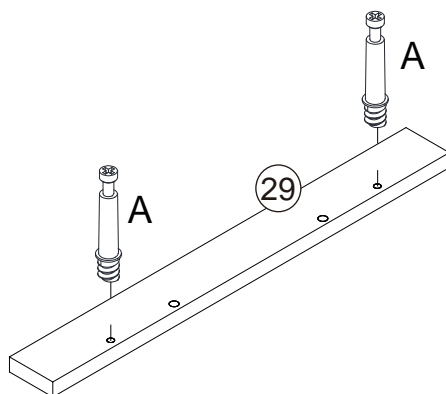


Assembly Instructions

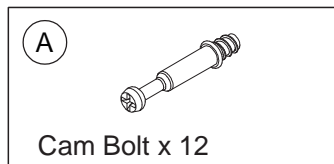


Assembly Instructions

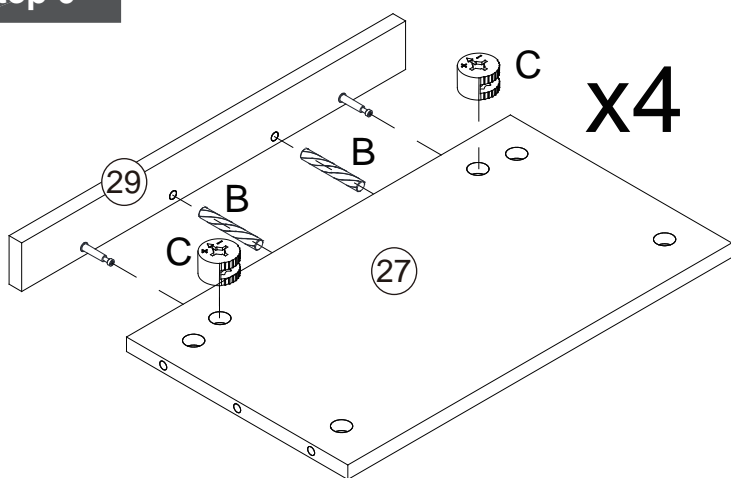
Step 5



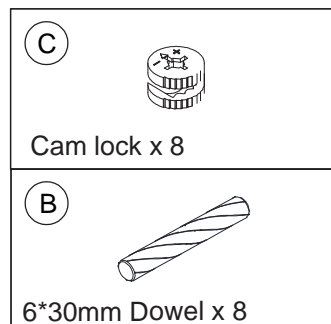
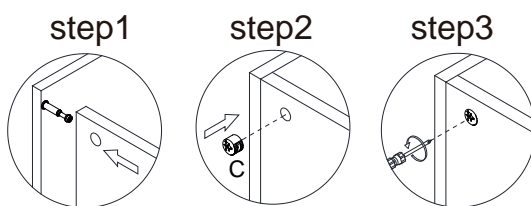
x6



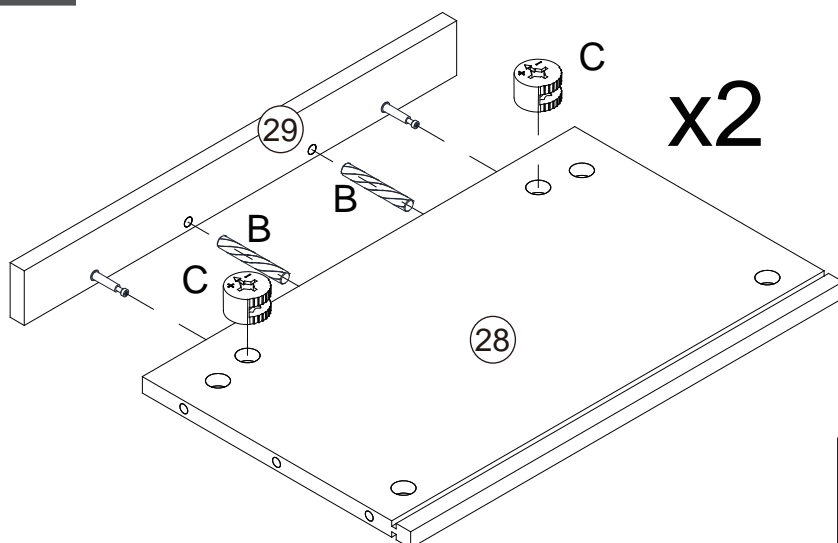
Step 6



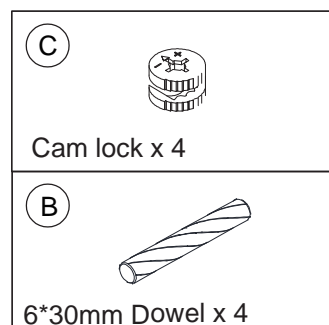
x4



Step 7



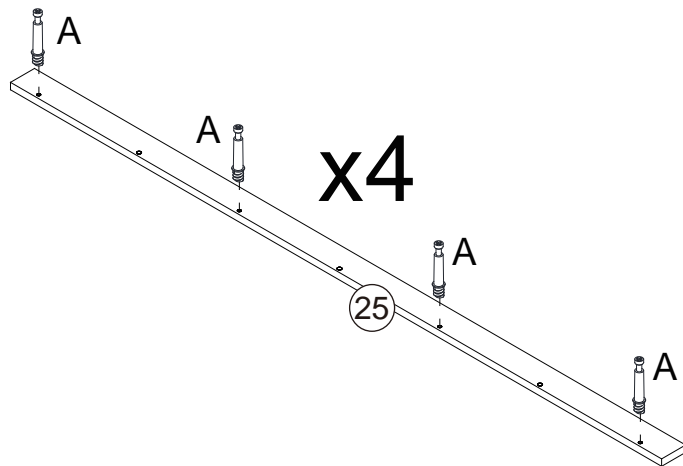
x2



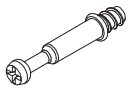
10

Assembly Instructions

Step 8

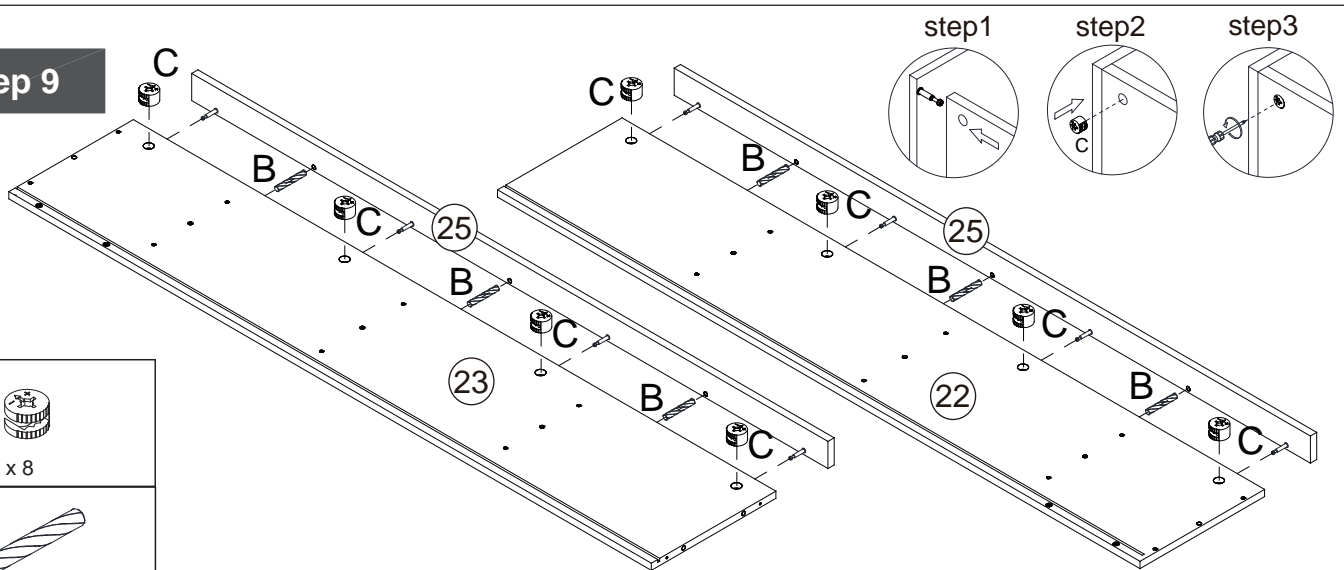


A



Cam Bolt x 16

Step 9



C



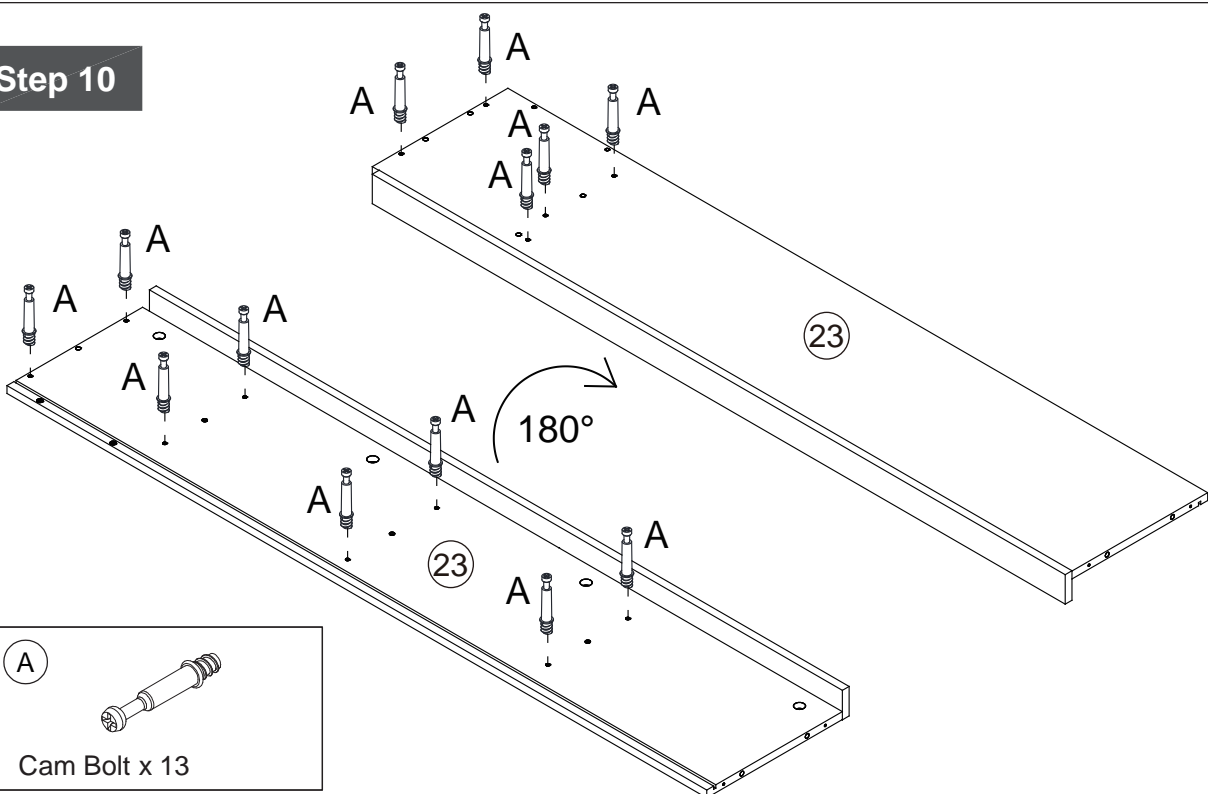
Cam lock x 8

B

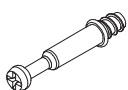


6*30mm Dowel x 6

Step 10



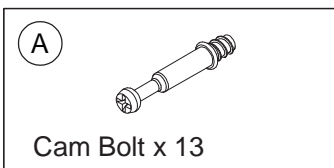
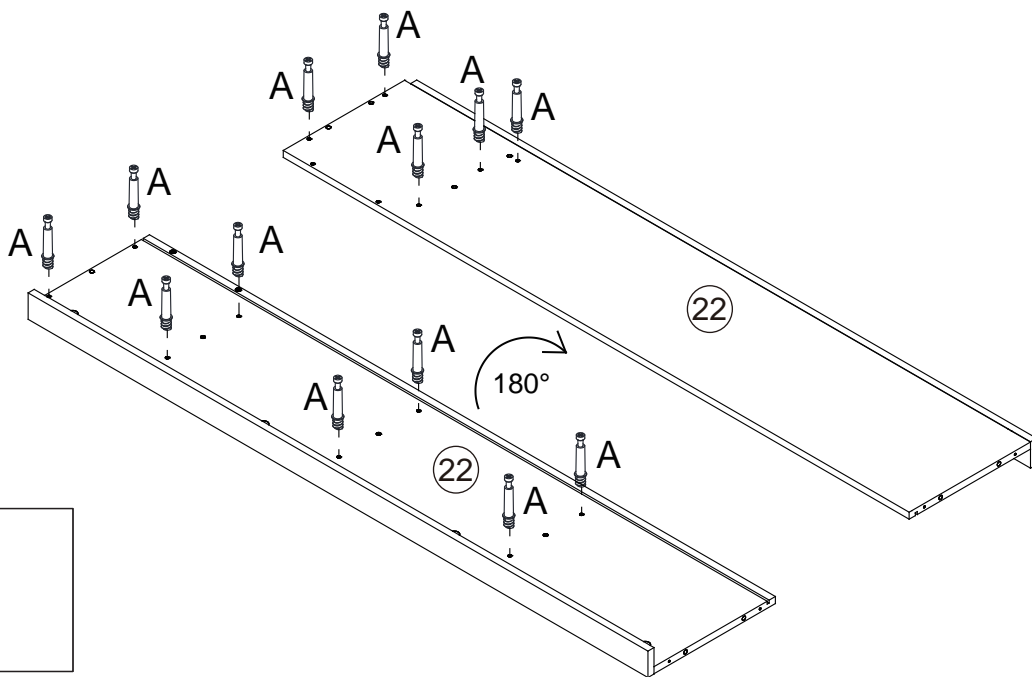
A



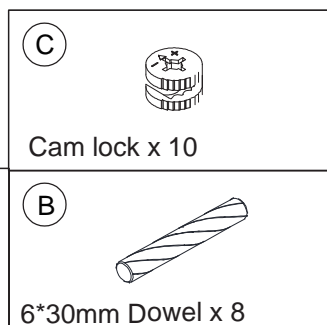
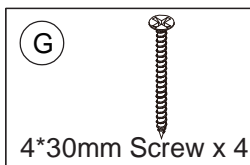
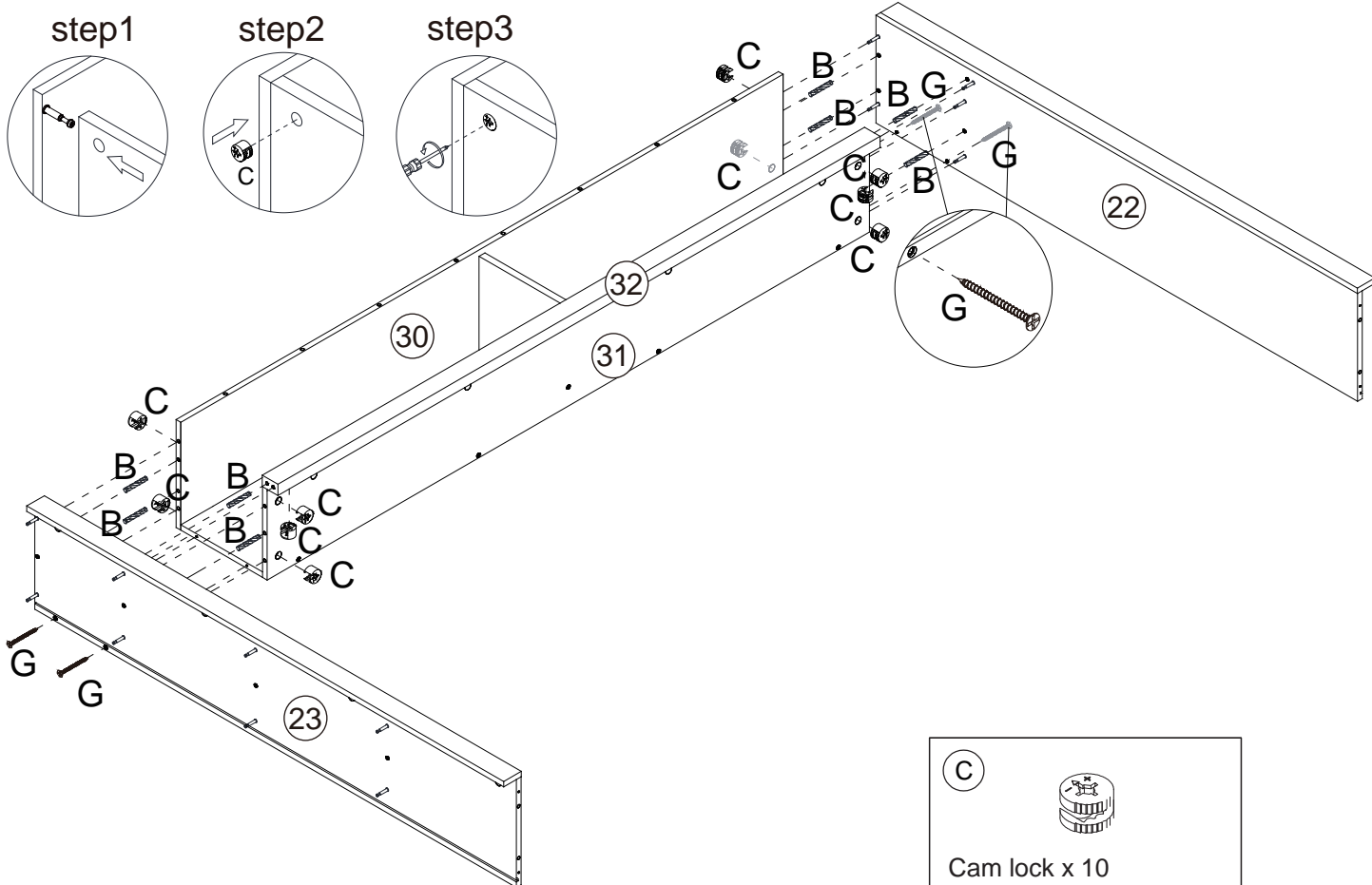
Cam Bolt x 13

Assembly Instructions

Step 11



Step 12



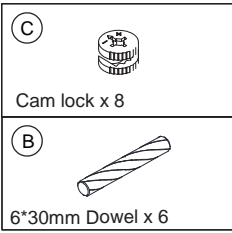
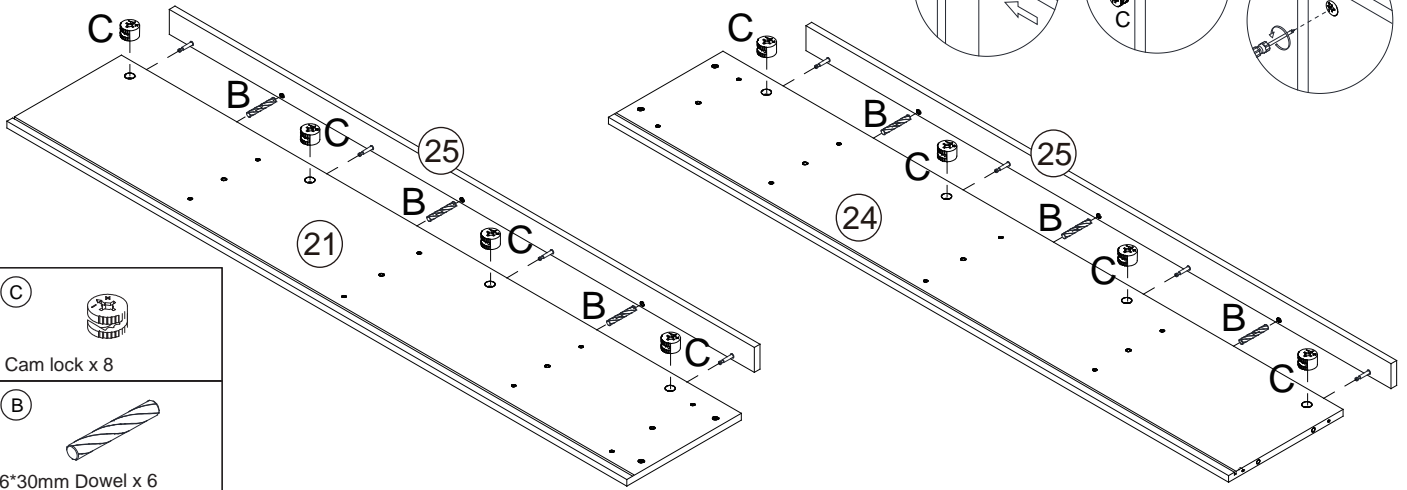
Assembly Instructions

Step 15

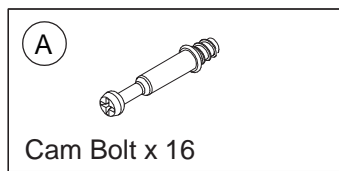
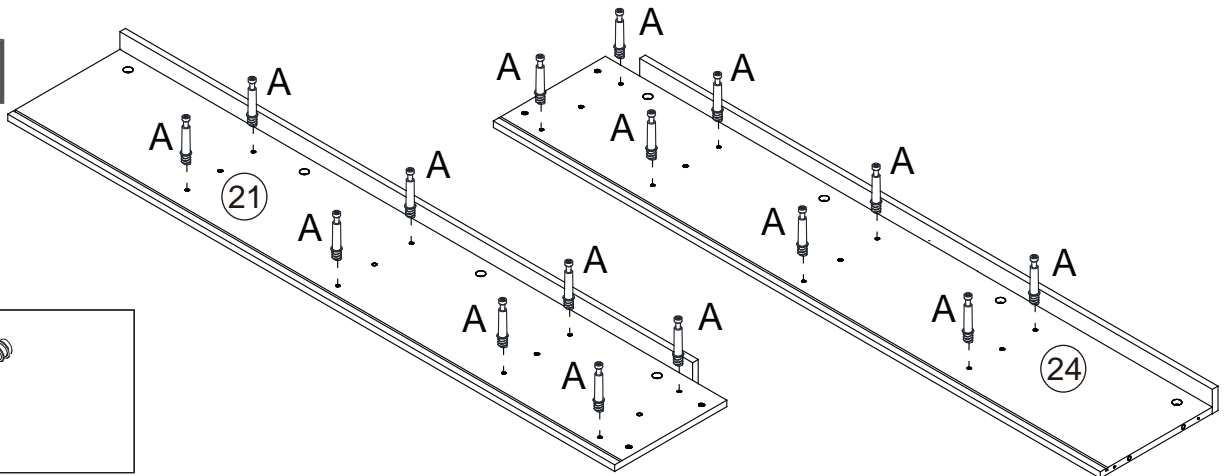
step1

step2

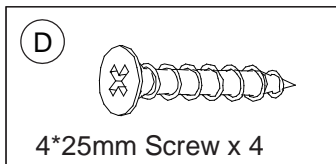
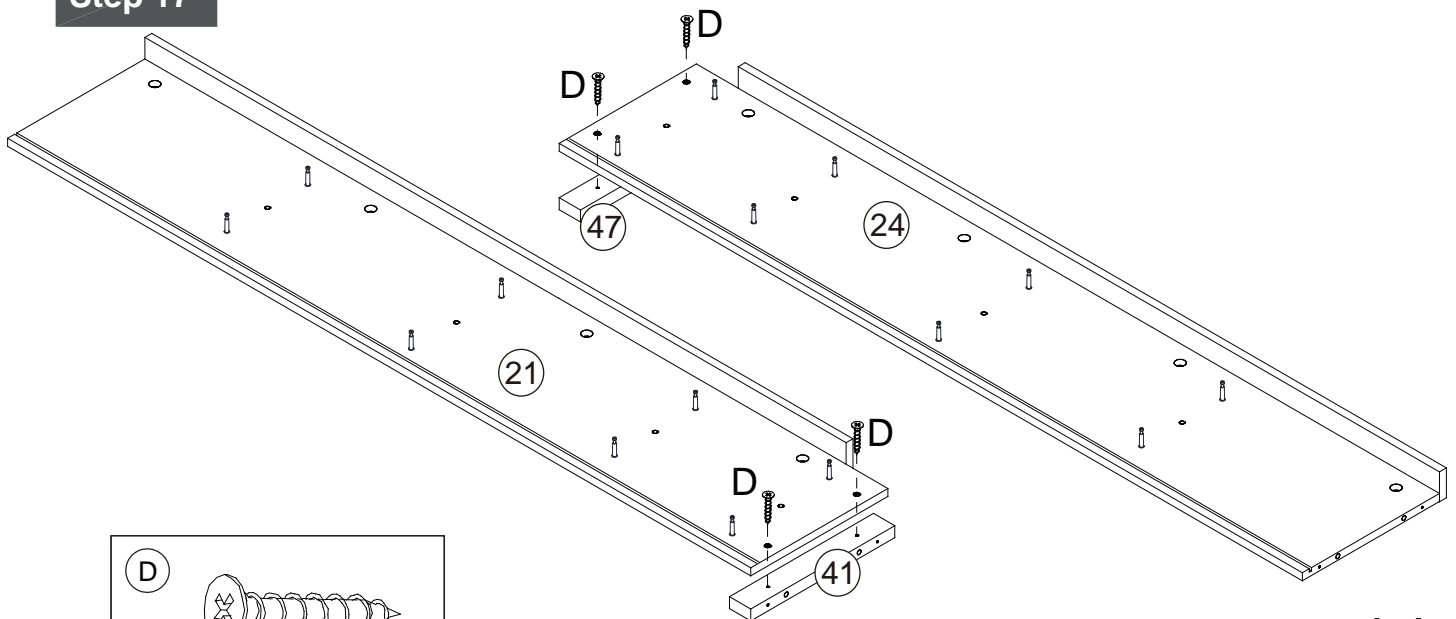
step3



Step 16

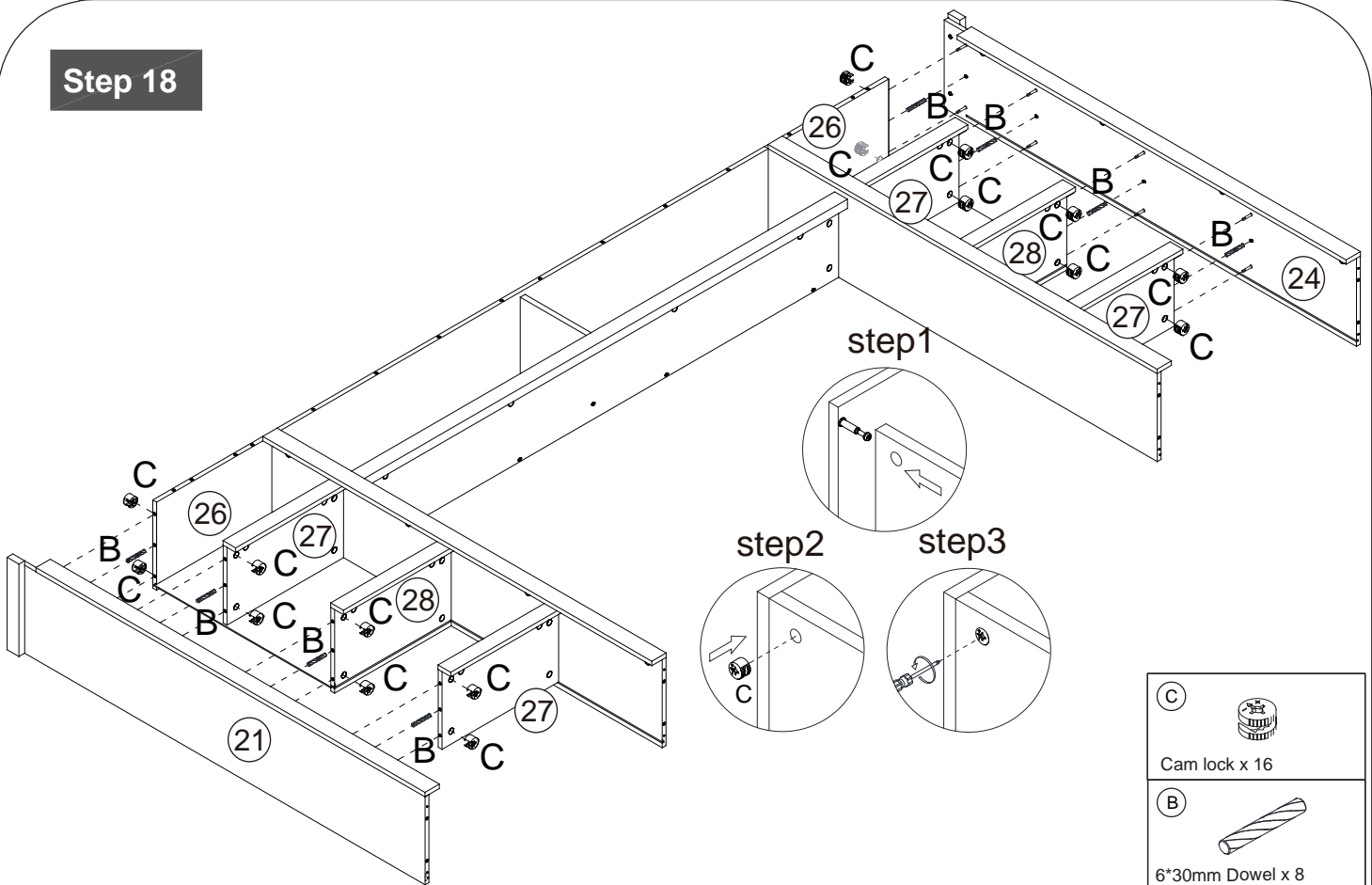


Step 17

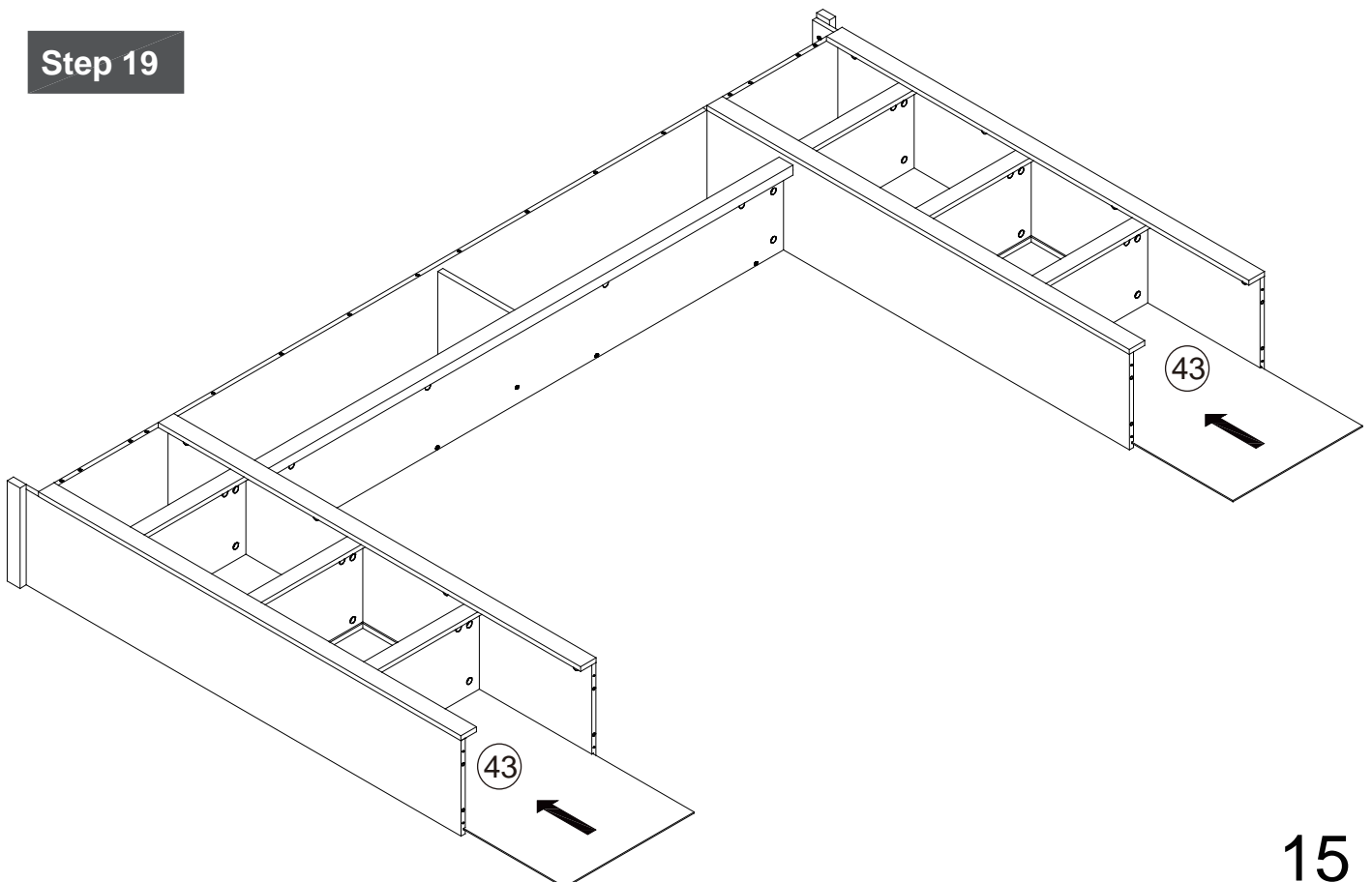


Assembly Instructions

Step 18

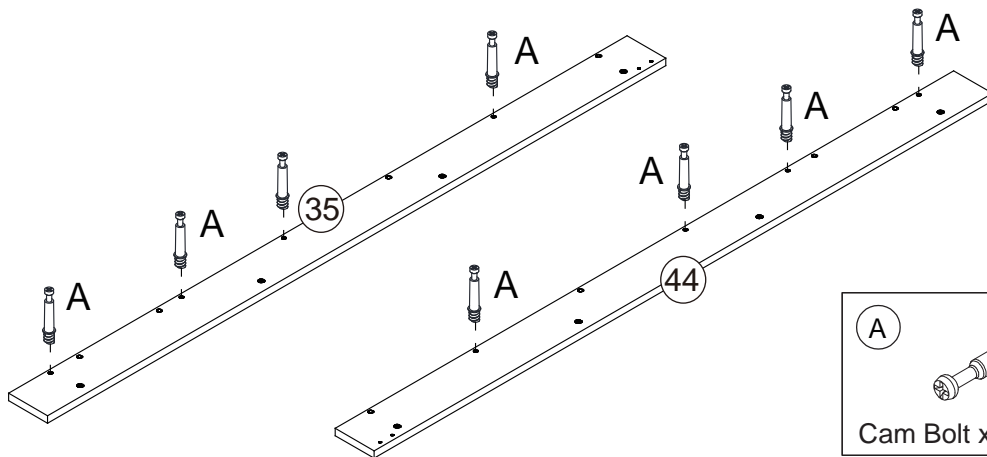


Step 19

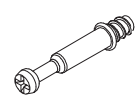


Assembly Instructions

Step 20

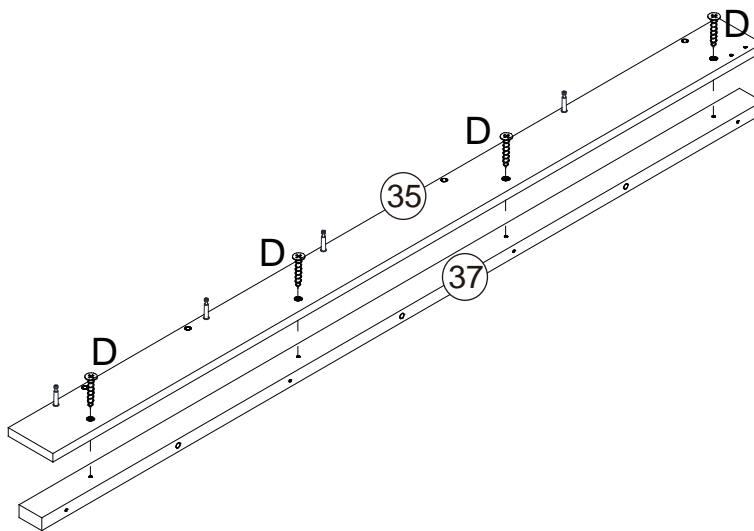


A

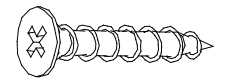


Cam Bolt x 8

Step 21

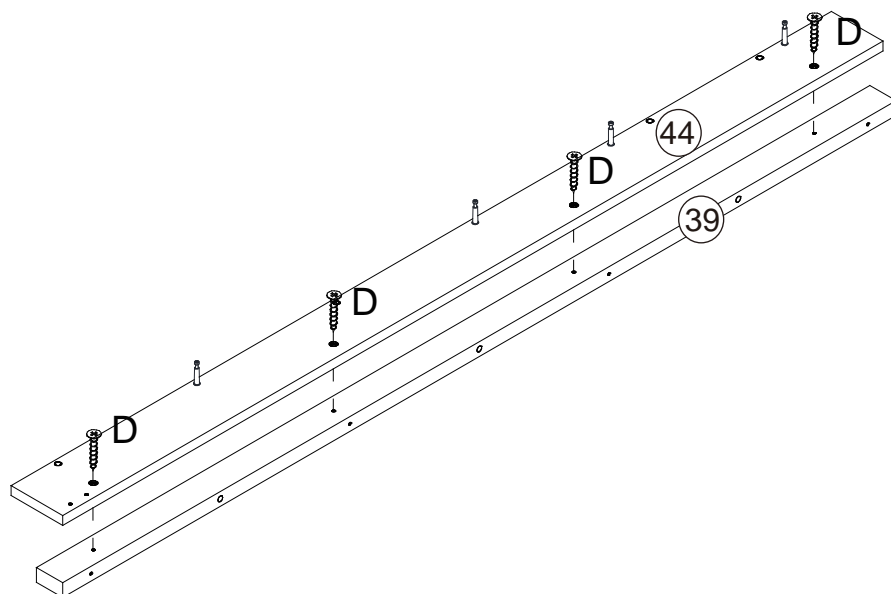


D

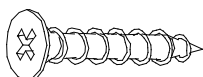


4*25mm Screw x 4

Step 22



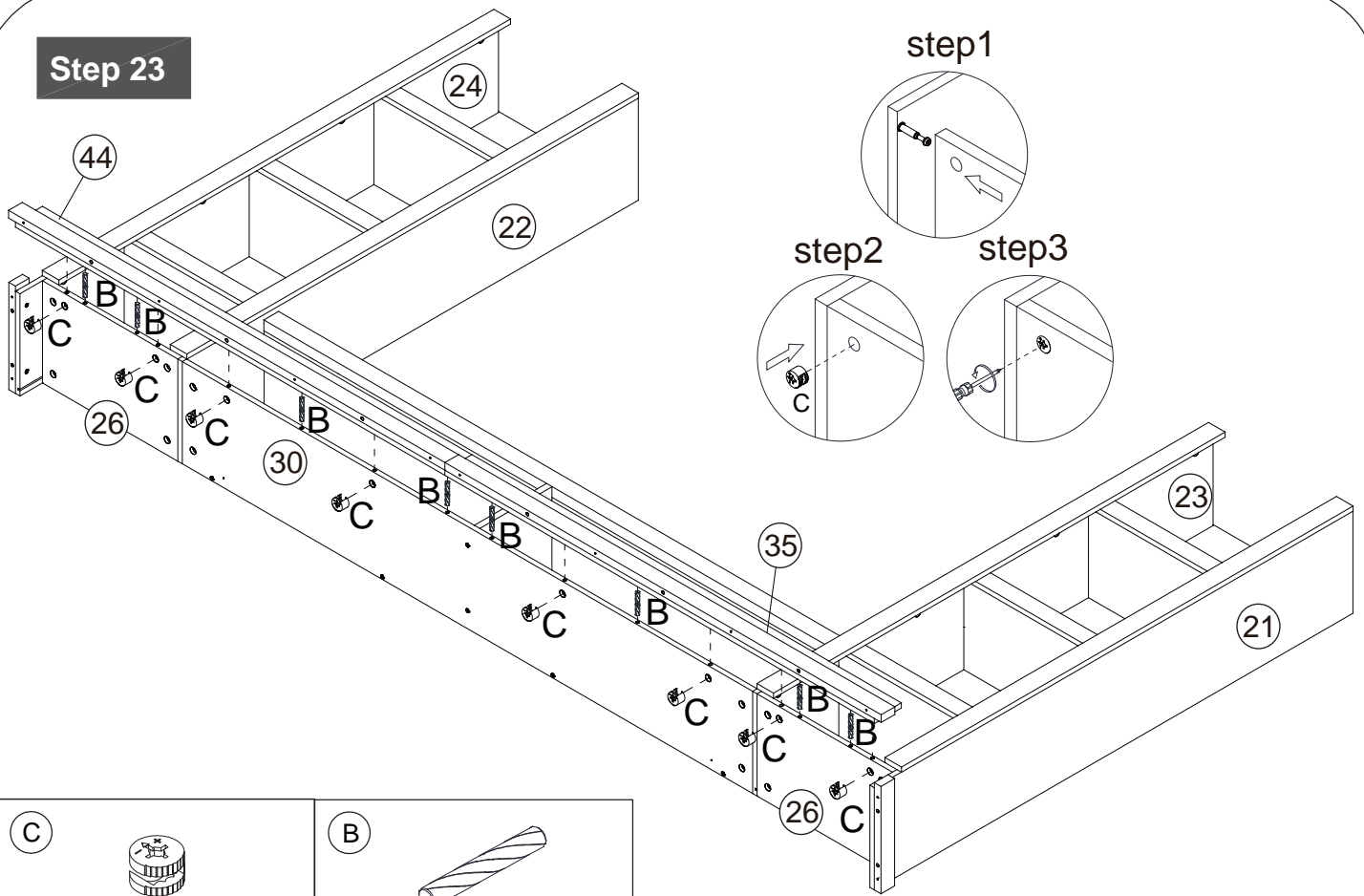
D



4*25mm Screw x 4

Assembly Instructions

Step 23

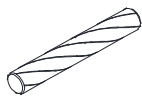


C



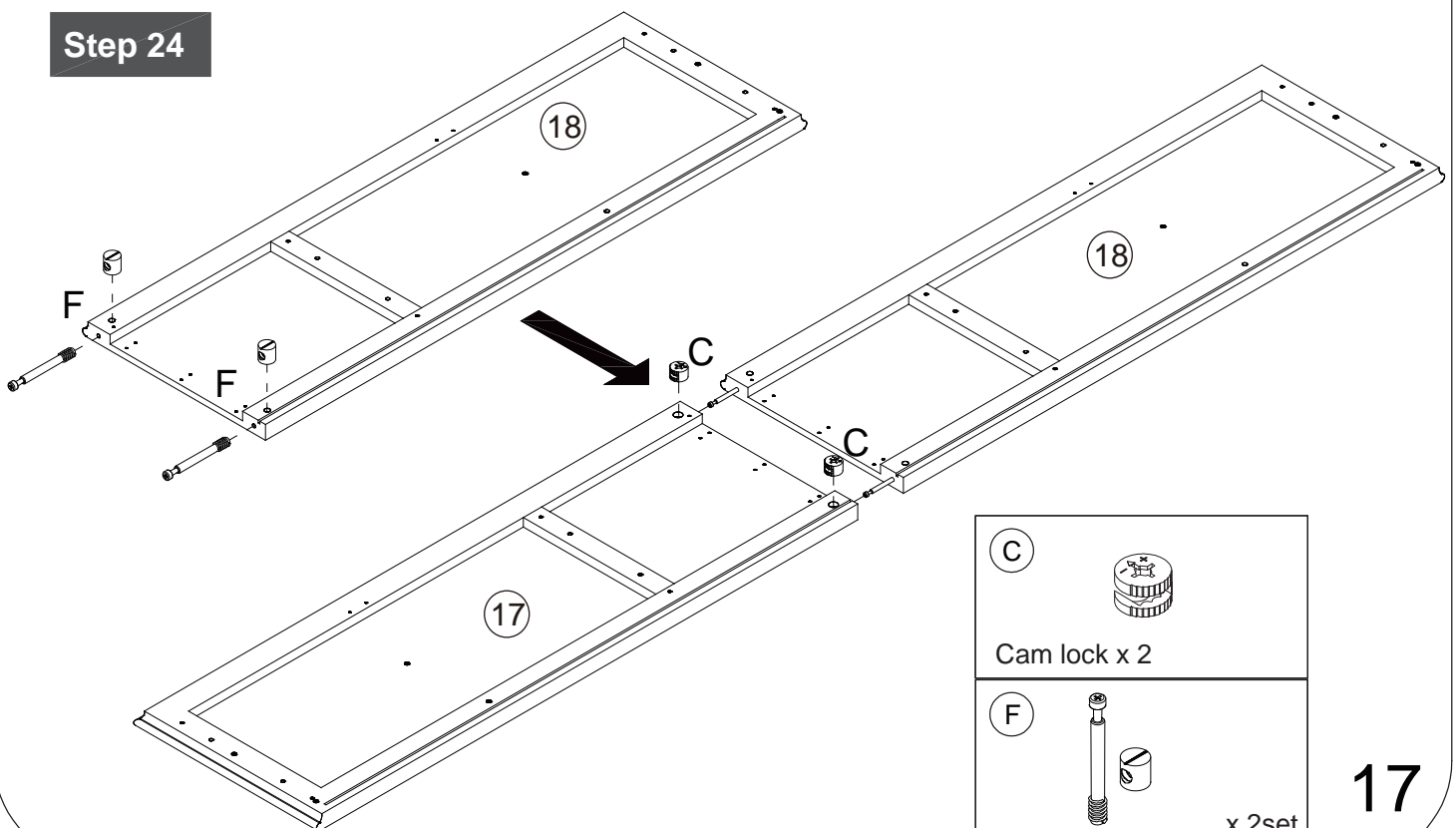
Cam lock x 8

B



6*30mm Dowel x 8

Step 24

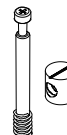


C



Cam lock x 2

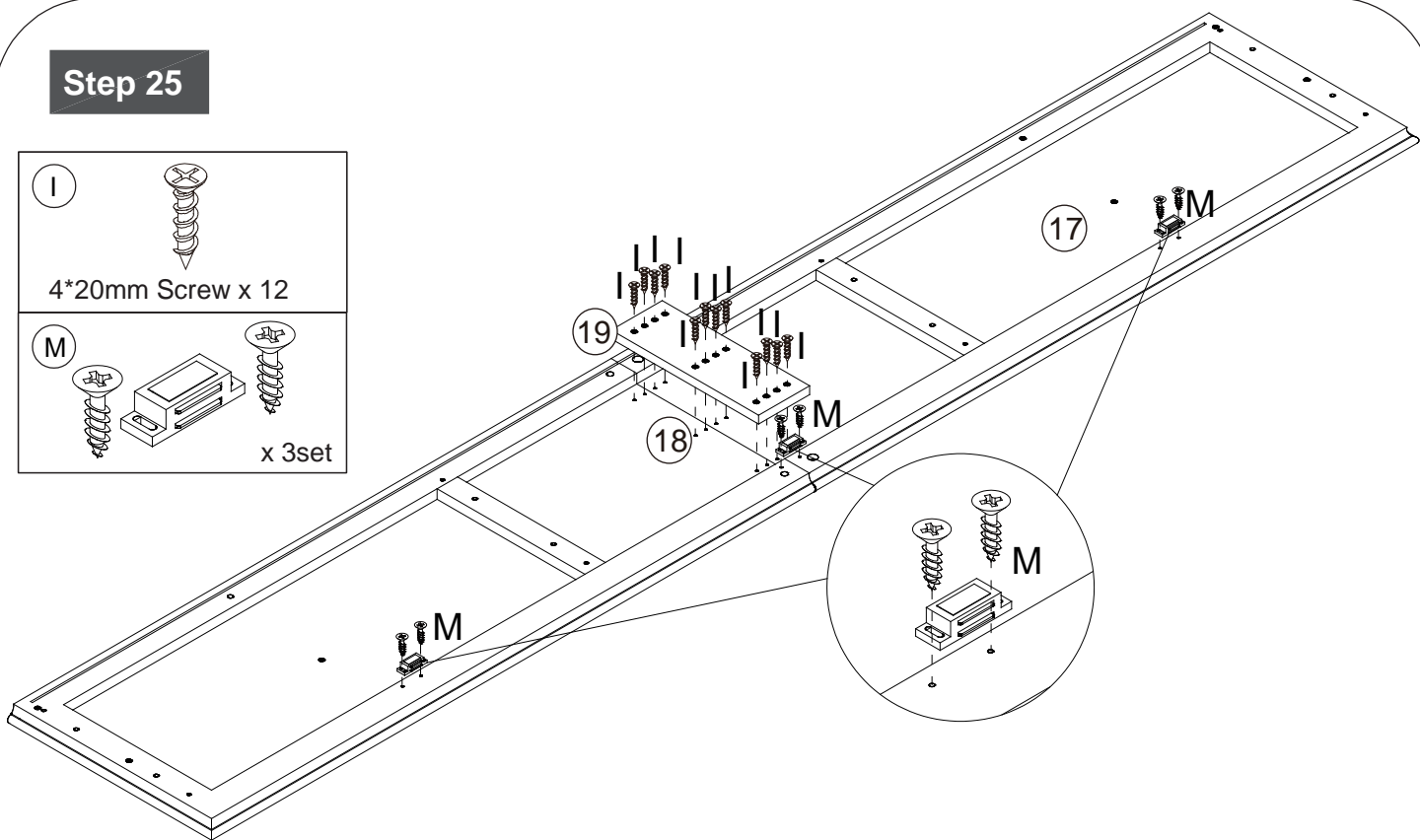
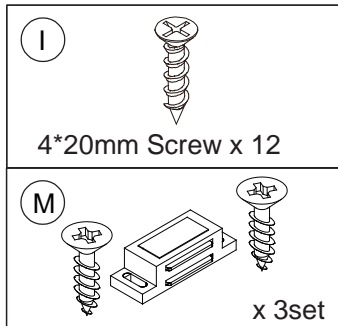
F



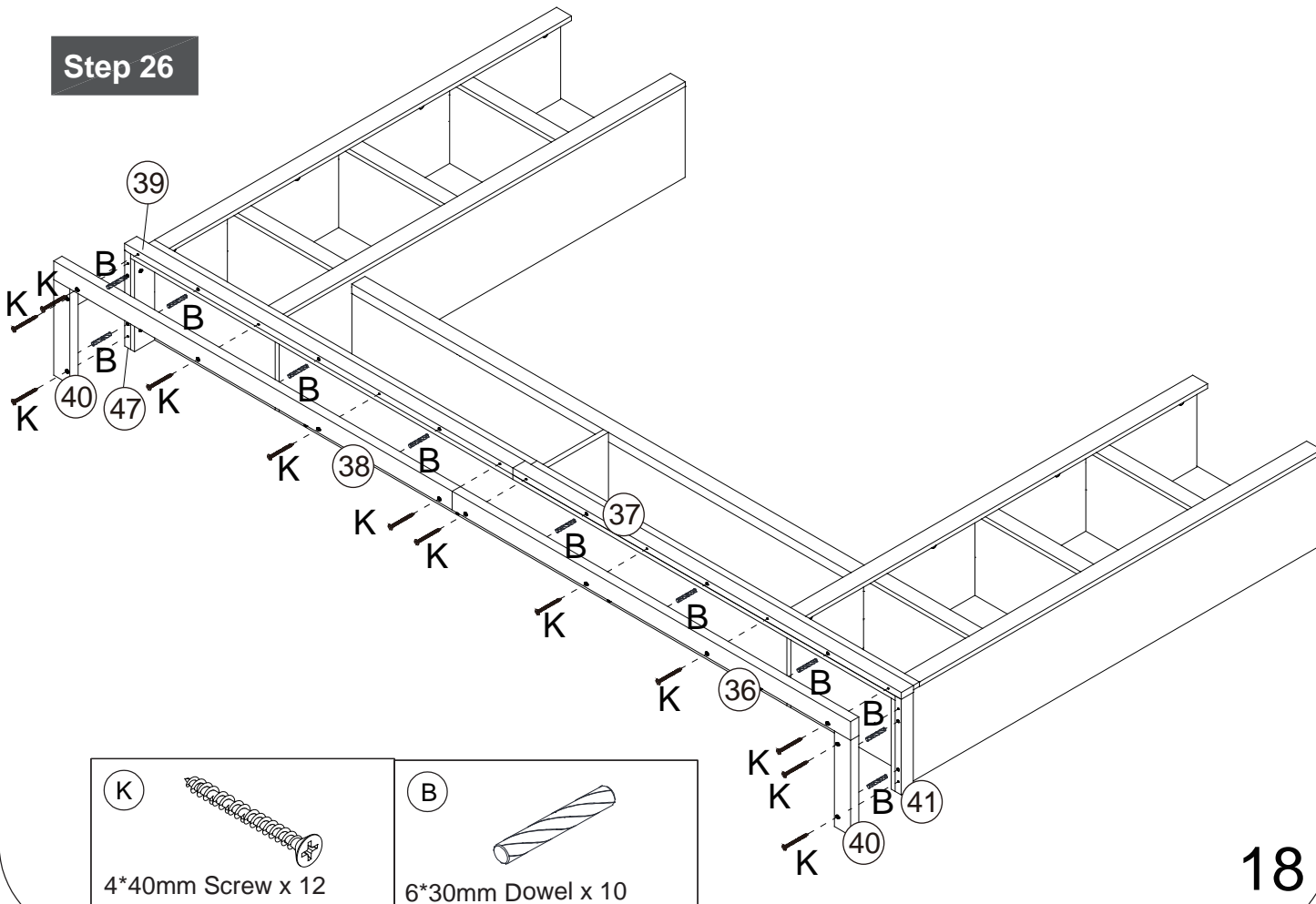
x 2set

Assembly Instructions

Step 25

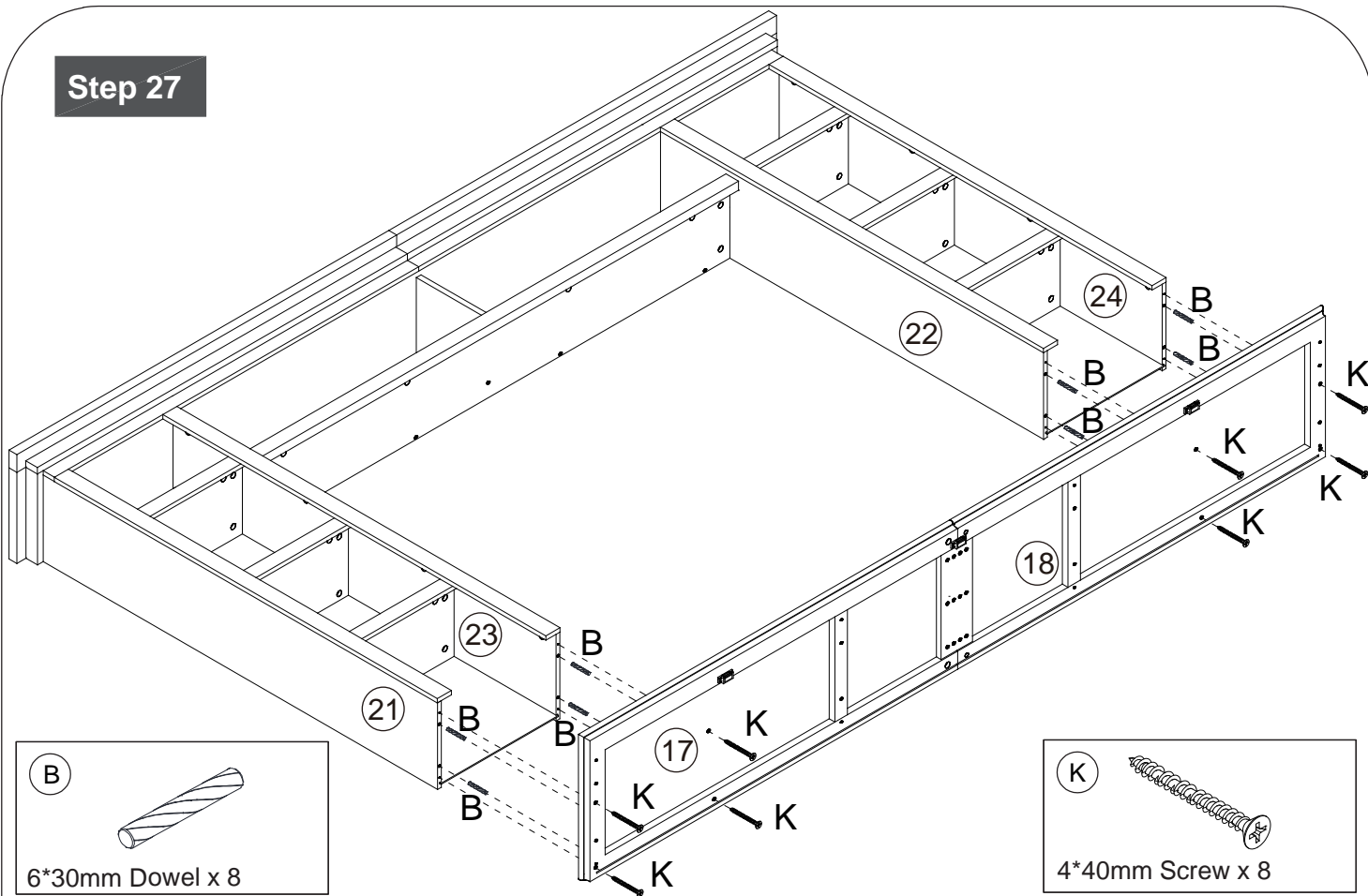


Step 26

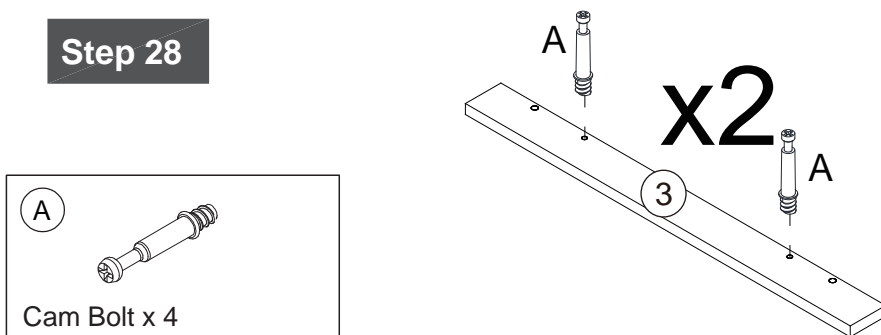


Assembly Instructions

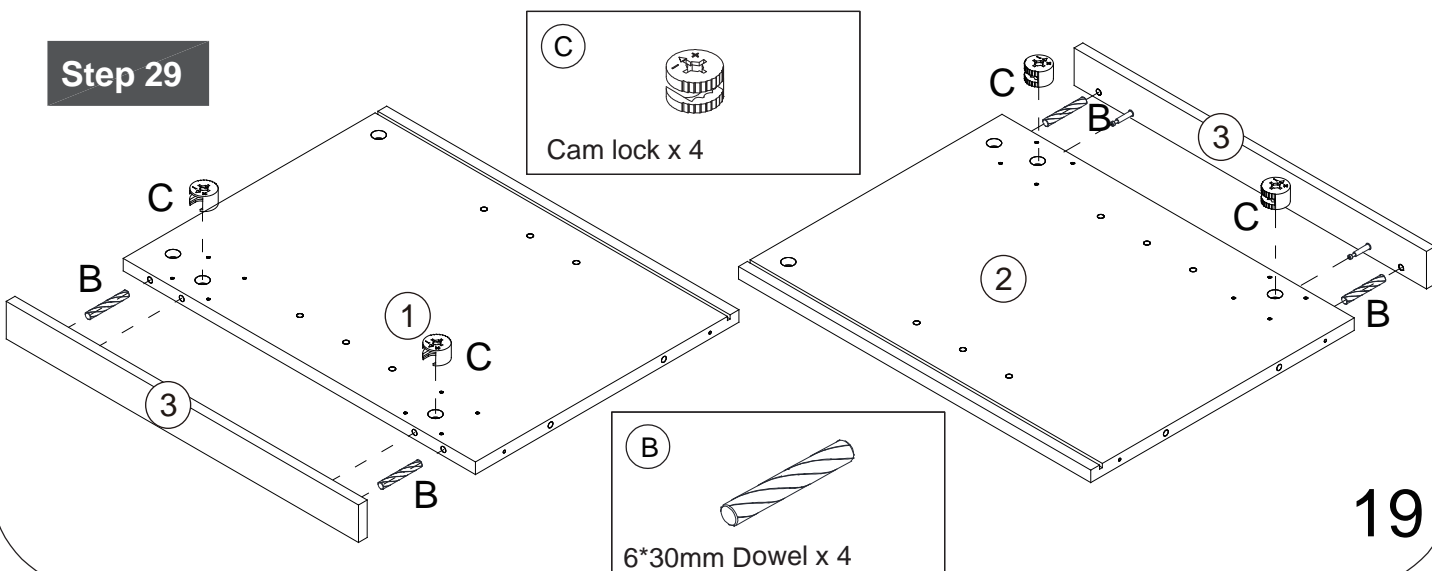
Step 27



Step 28

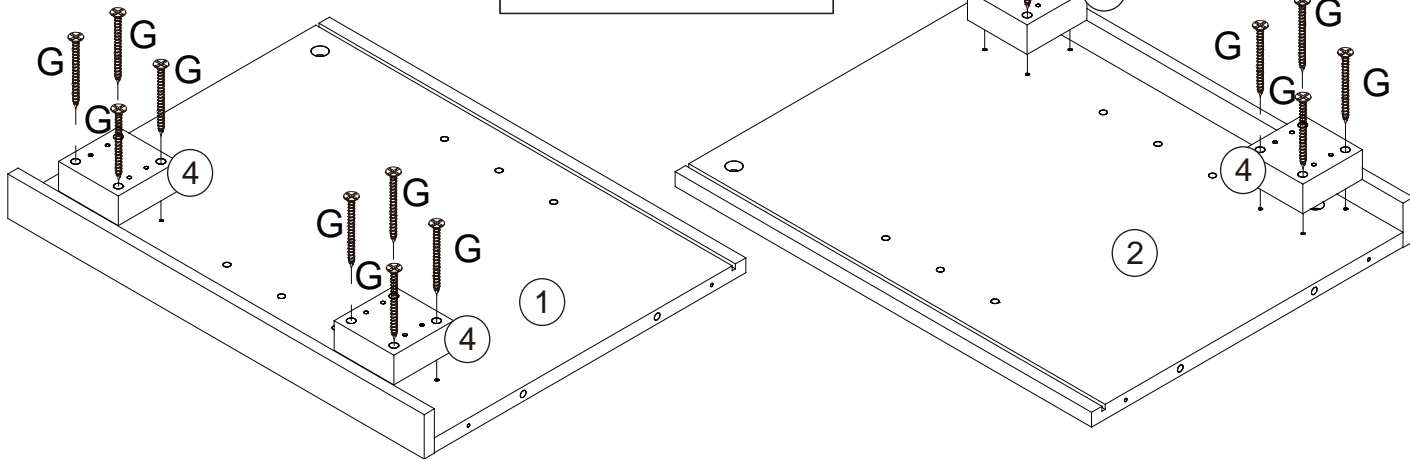
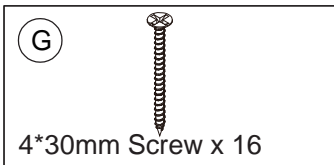


Step 29

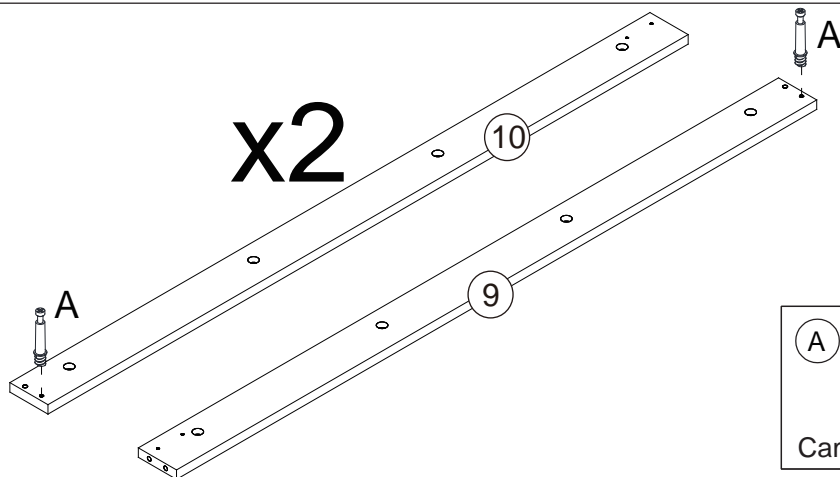


Assembly Instructions

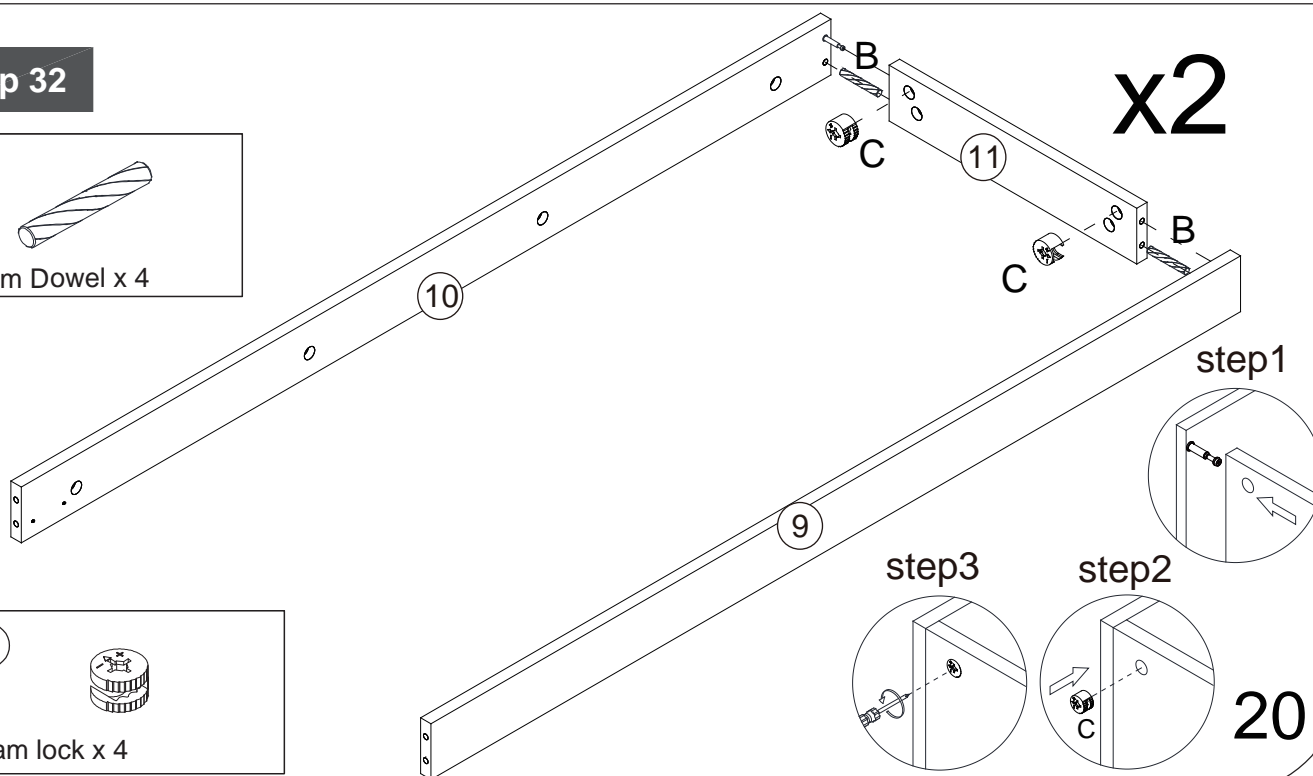
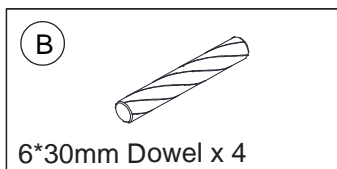
Step 30



Step 31

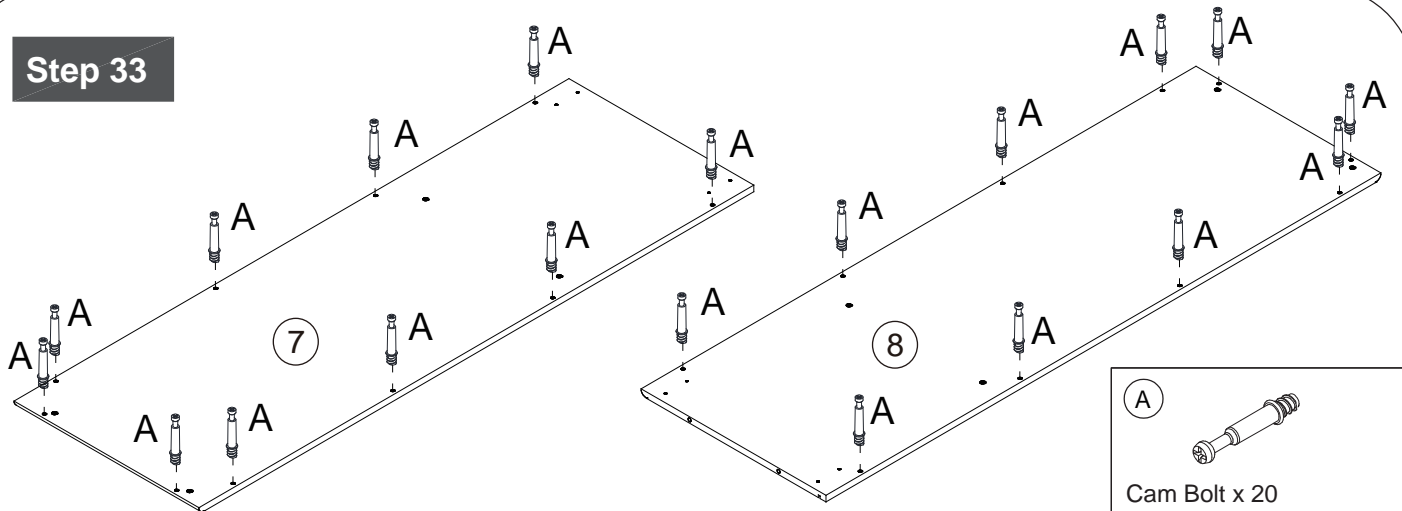


Step 32

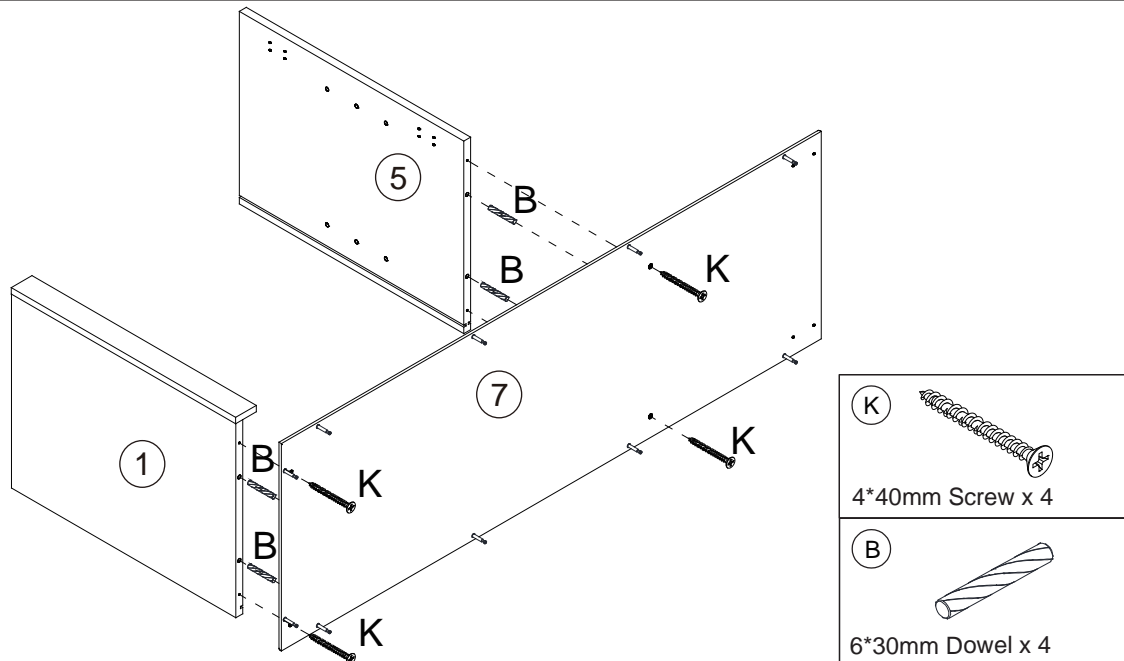


Assembly Instructions

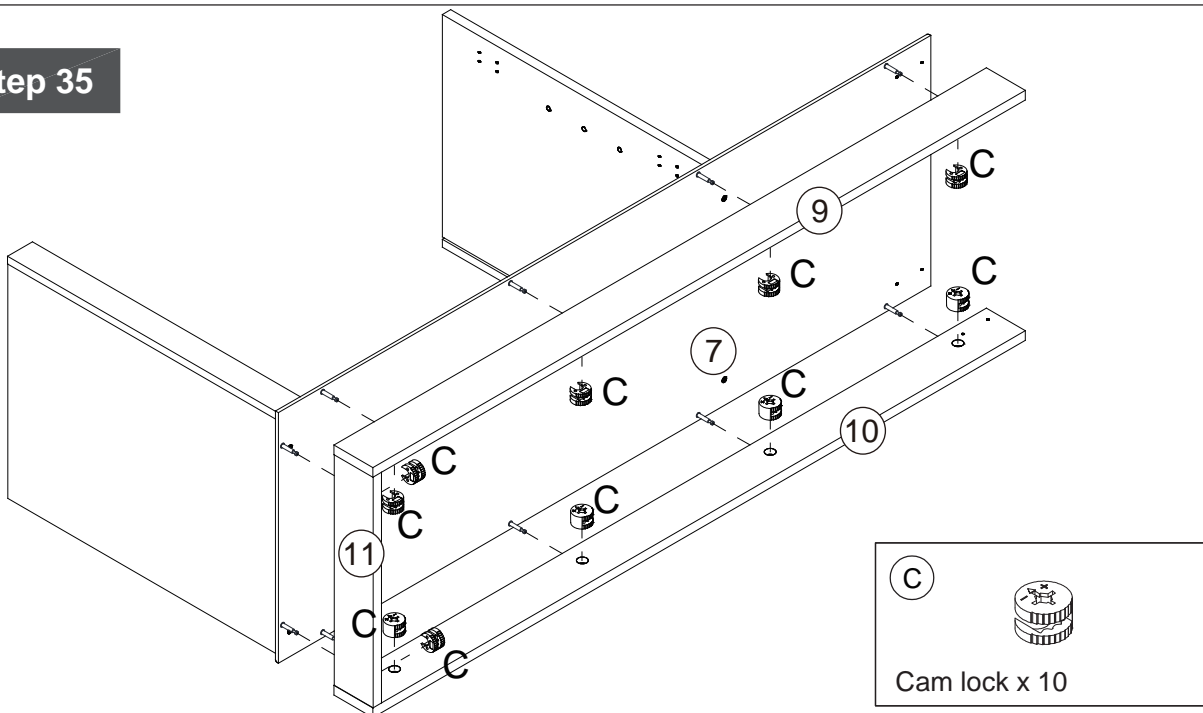
Step 33



Step 34

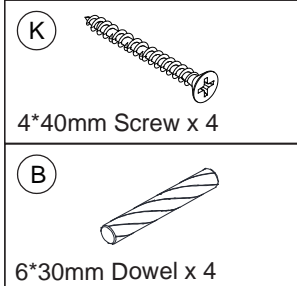
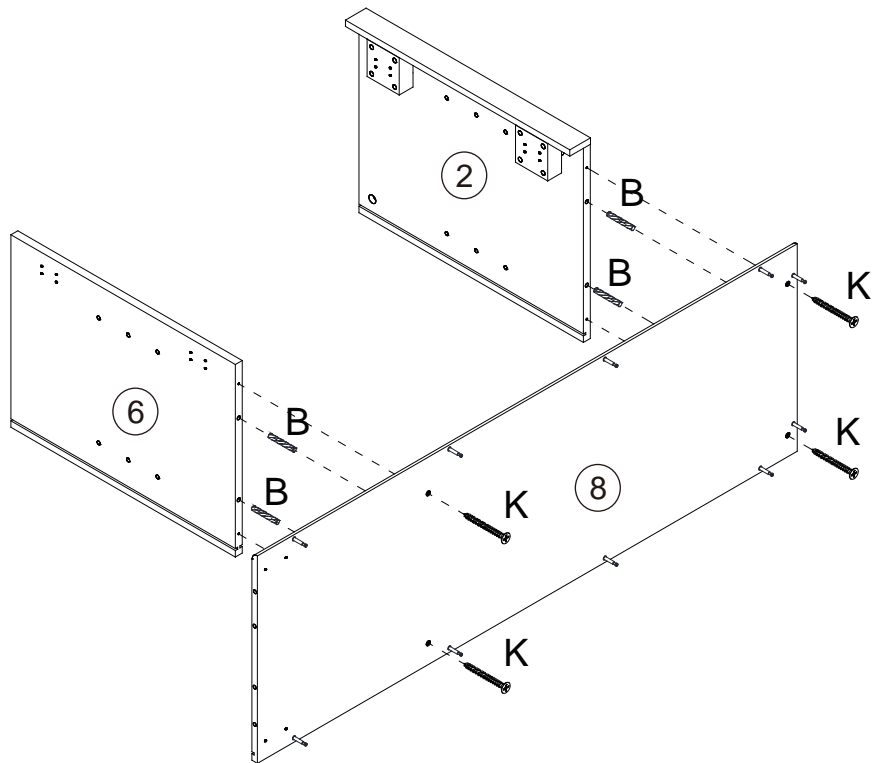


Step 35

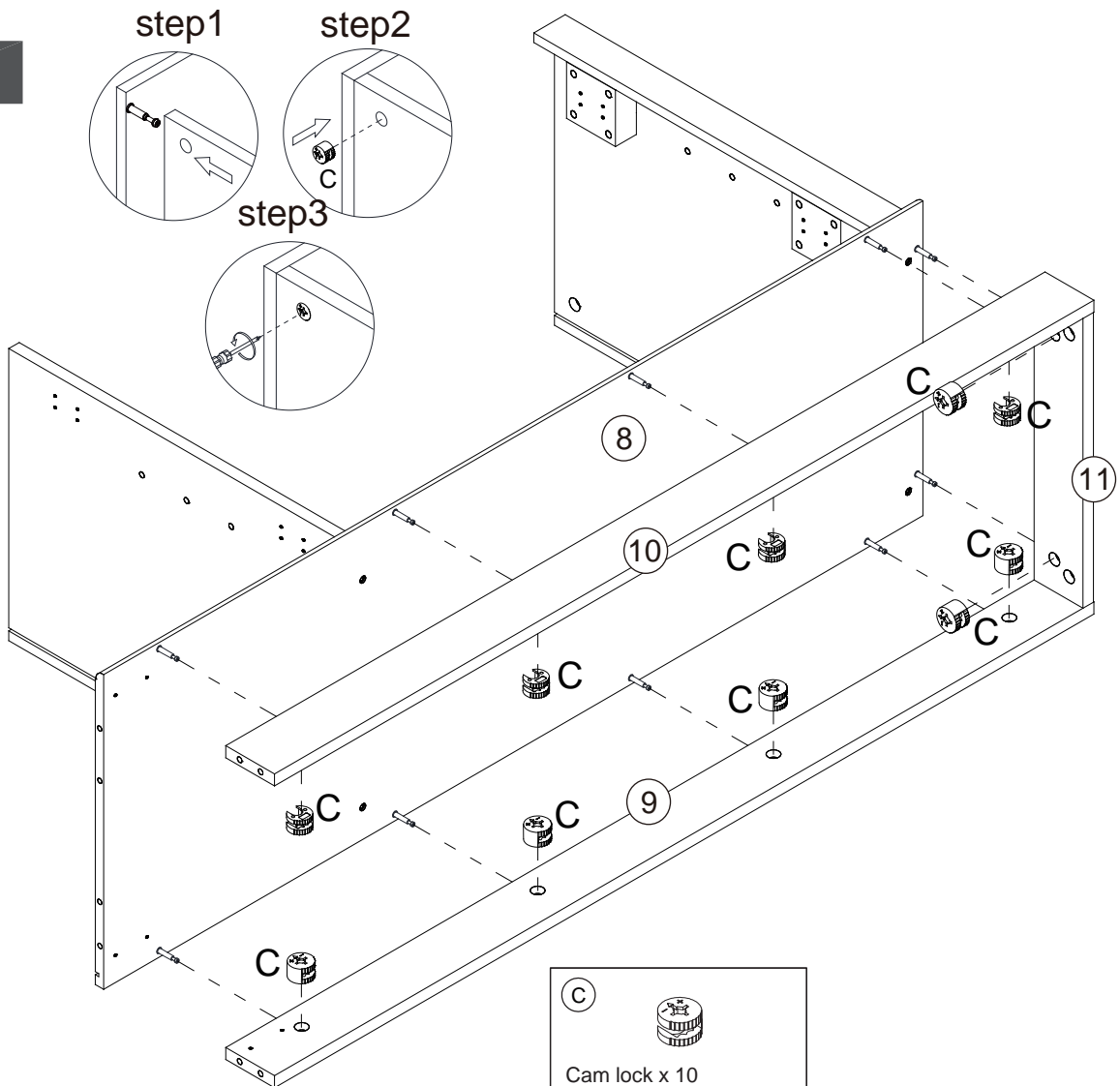


Assembly Instructions

Step 36

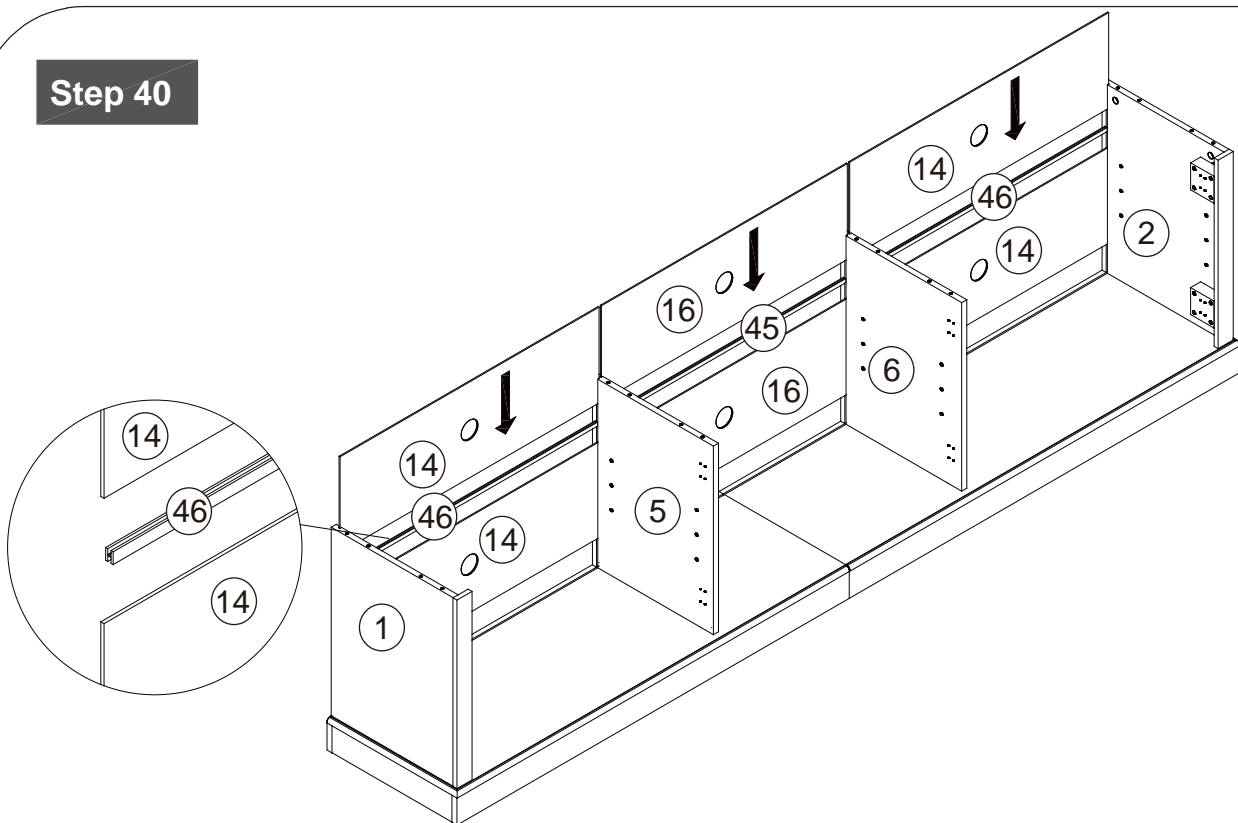


Step 37

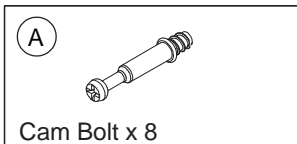
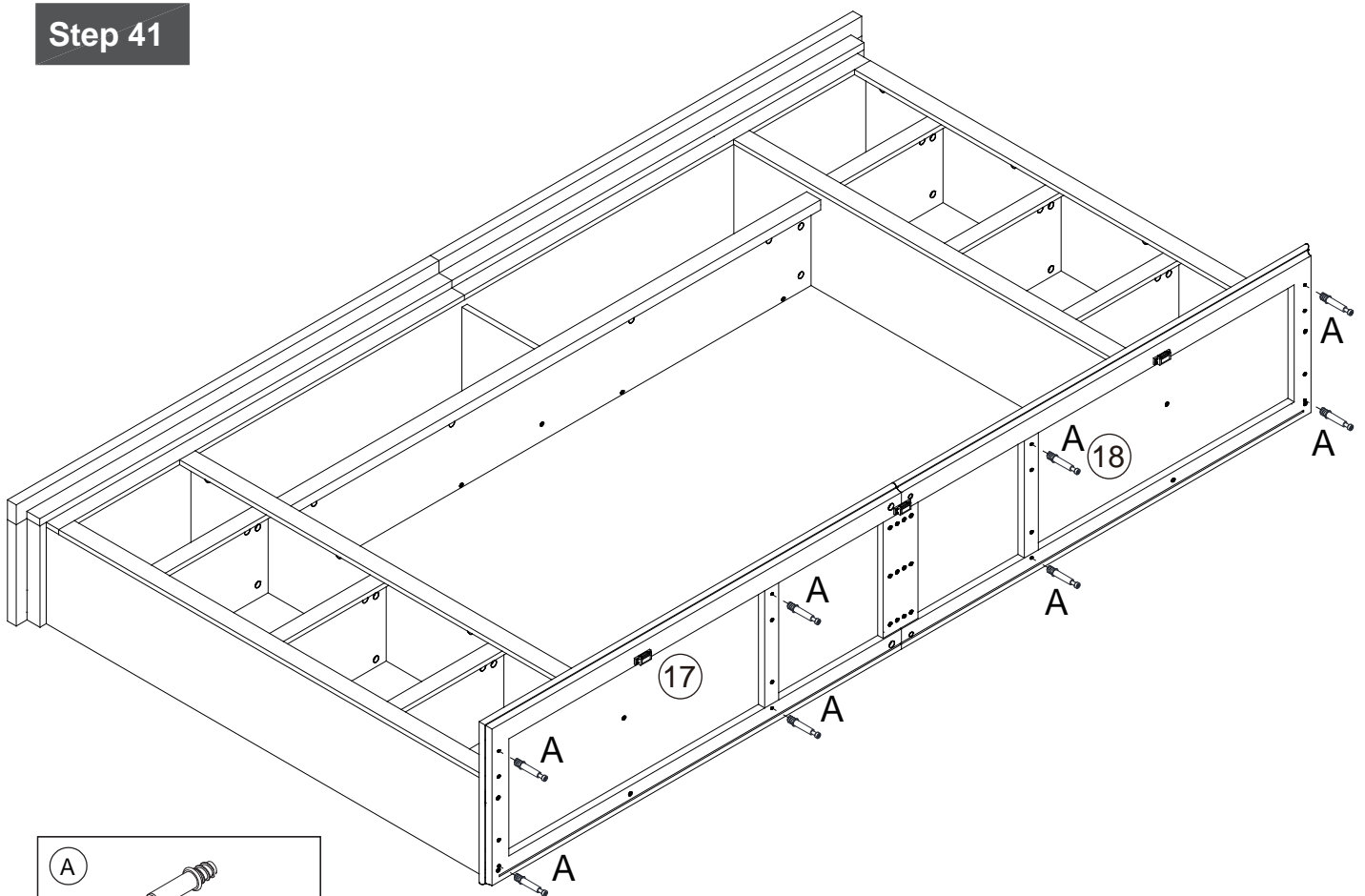


Assembly Instructions

Step 40

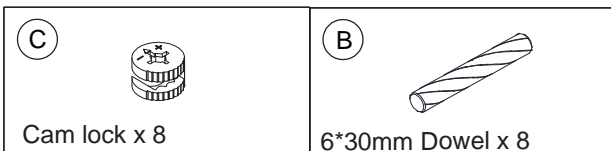
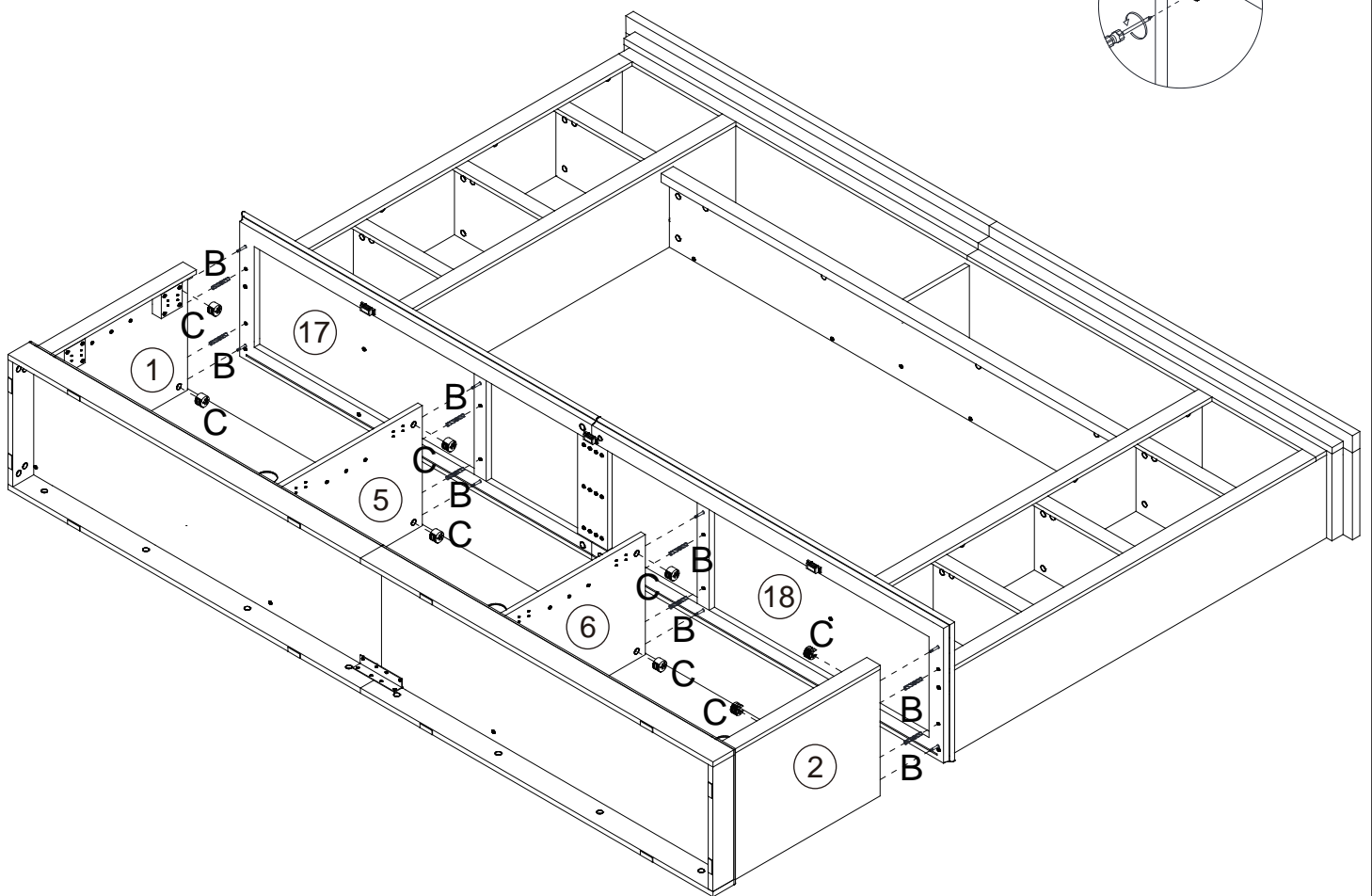
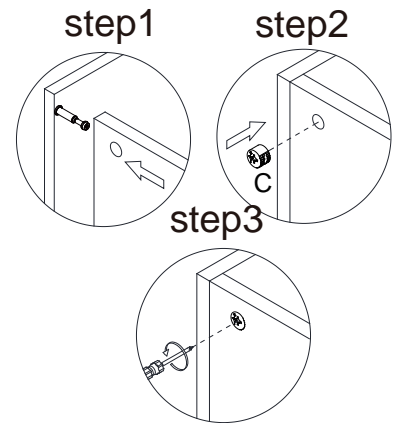


Step 41



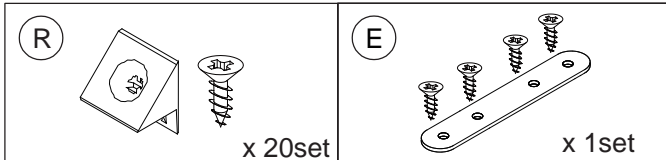
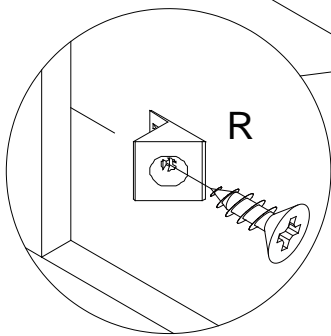
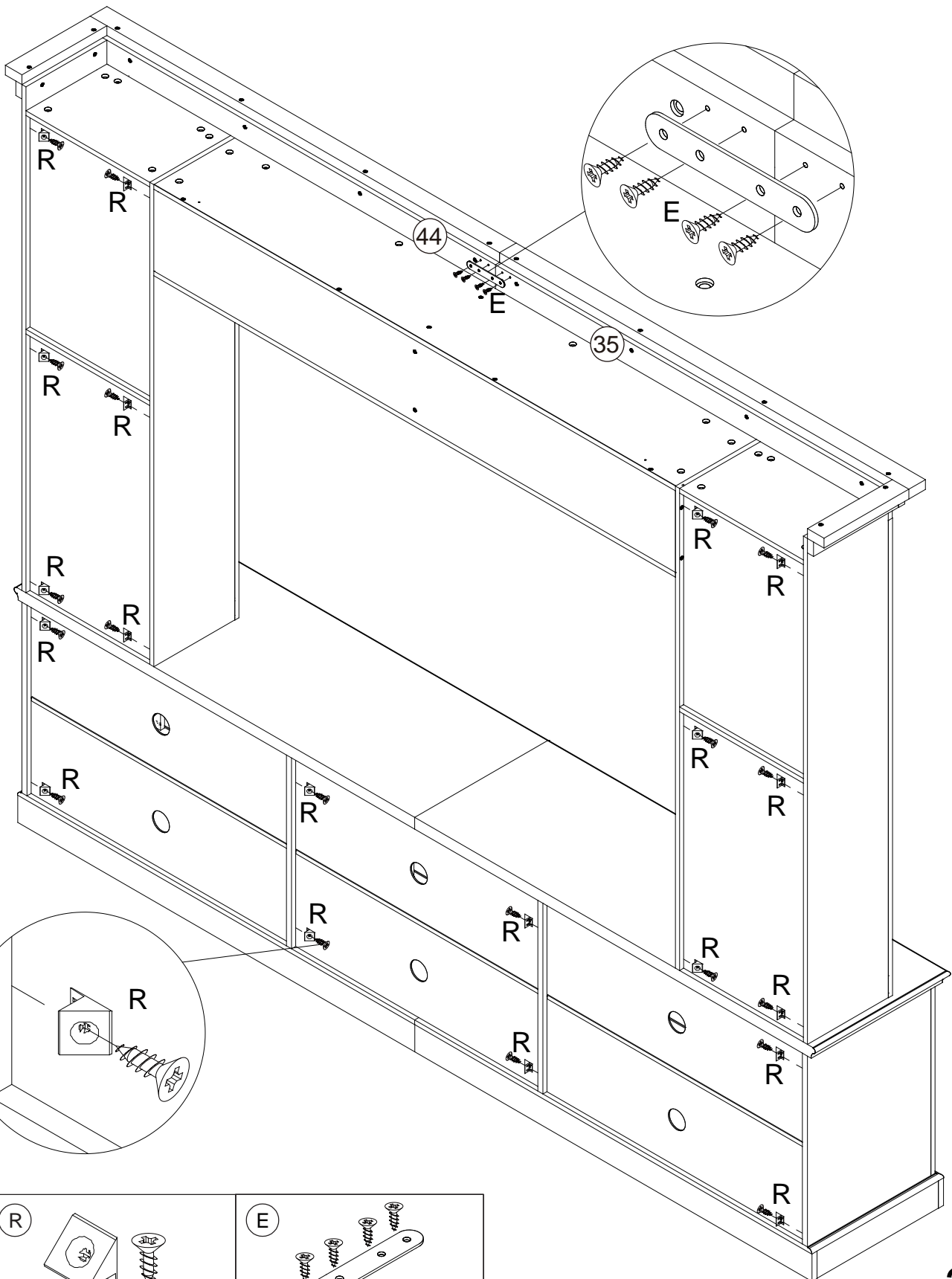
Assembly Instructions

Step 42



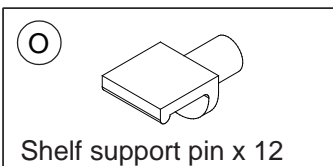
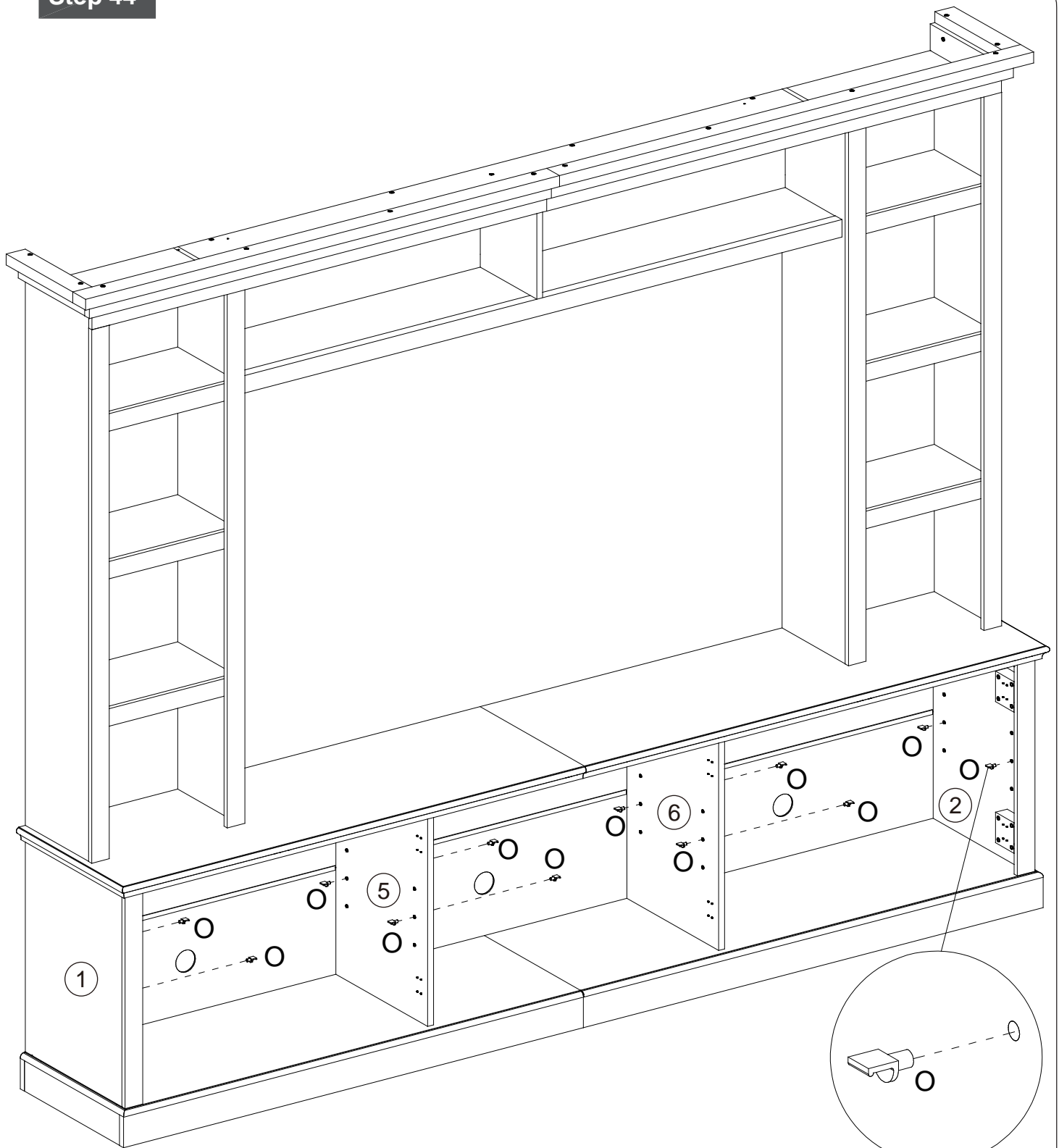
Assembly Instructions

Step 43



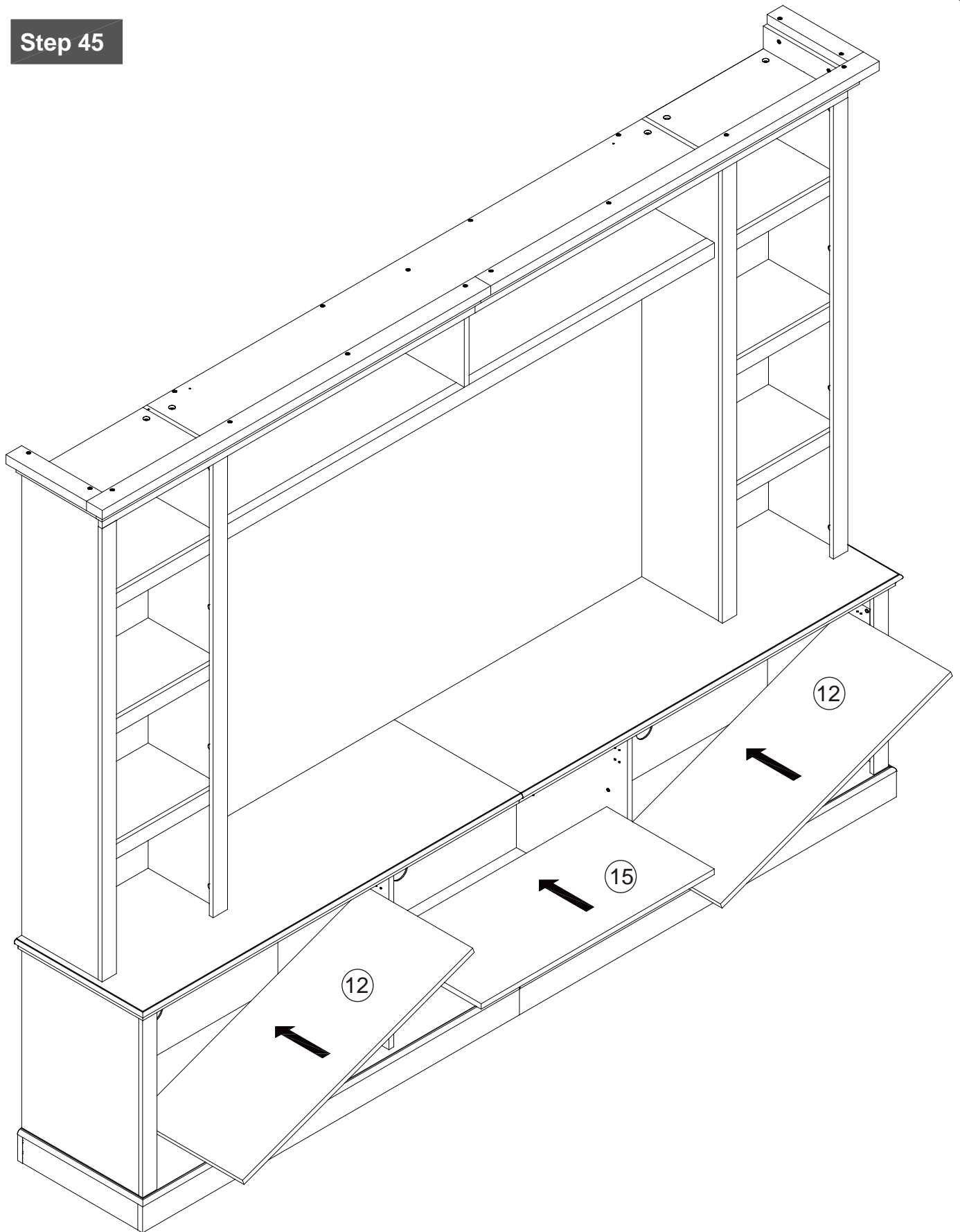
Assembly Instructions

Step 44



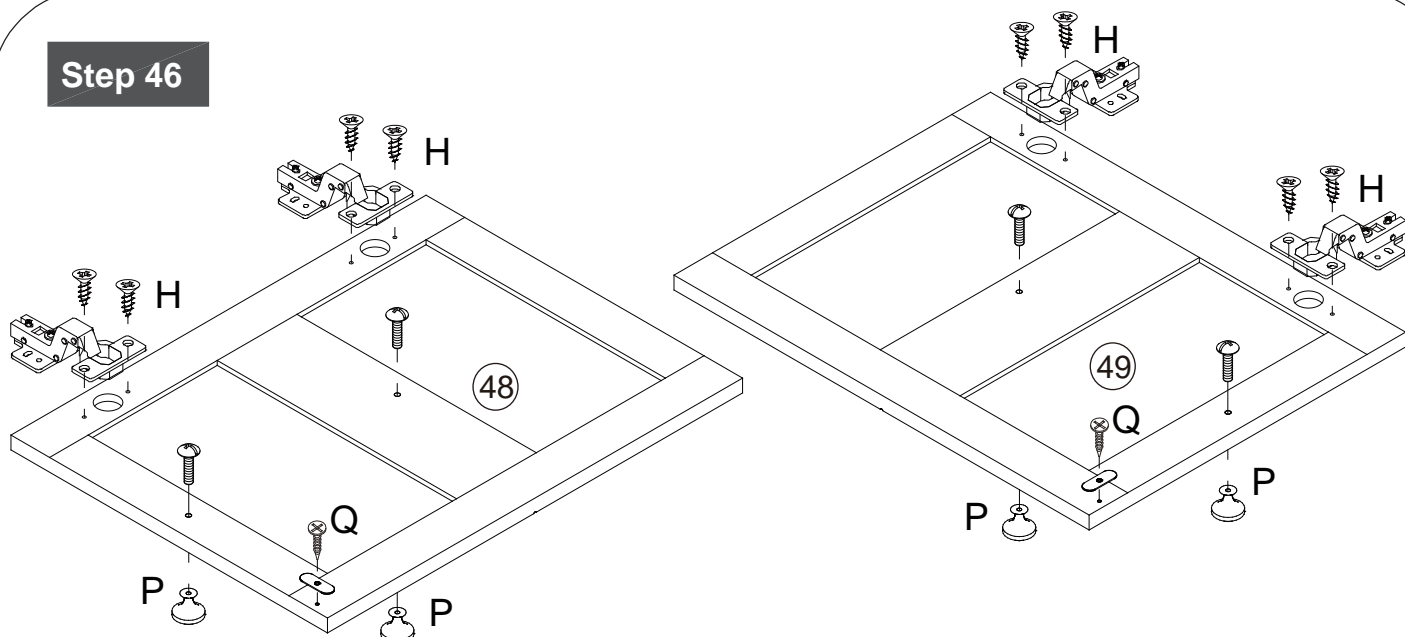
Assembly Instructions



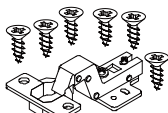
Step 45



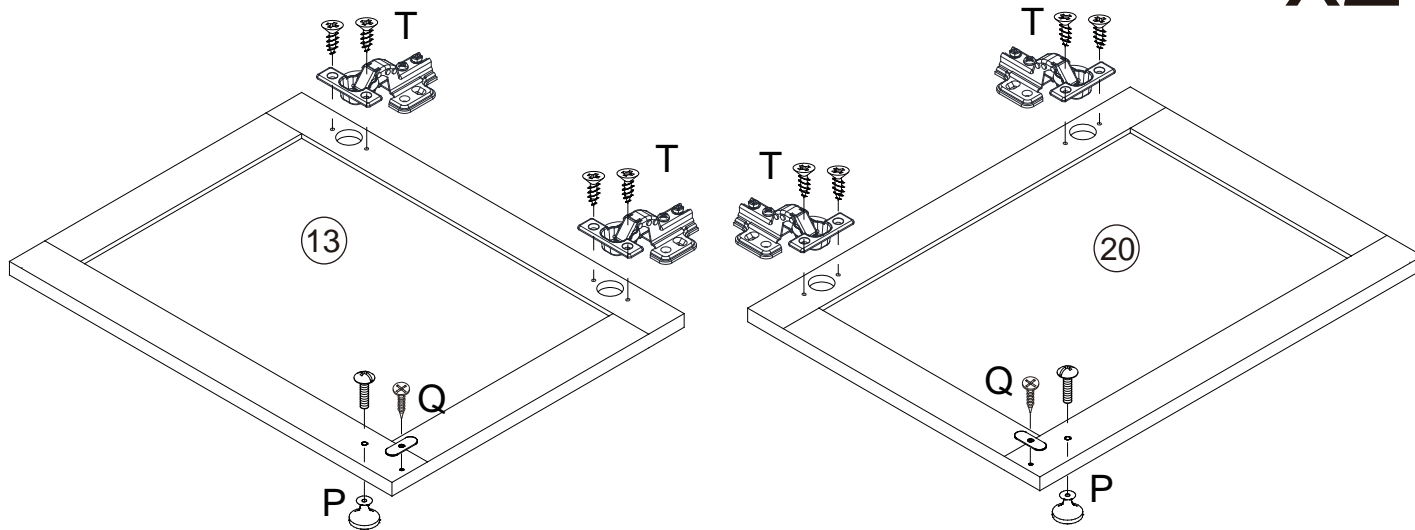
Assembly Instructions

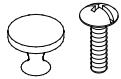

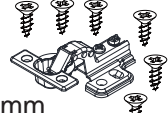
Step 46



 <p>(P) 4*20mm Handle x 4set</p>	 <p>(Q) x 2set</p>	 <p>(H) 3.5*14mm Hinge x 4set</p>
--	---	---

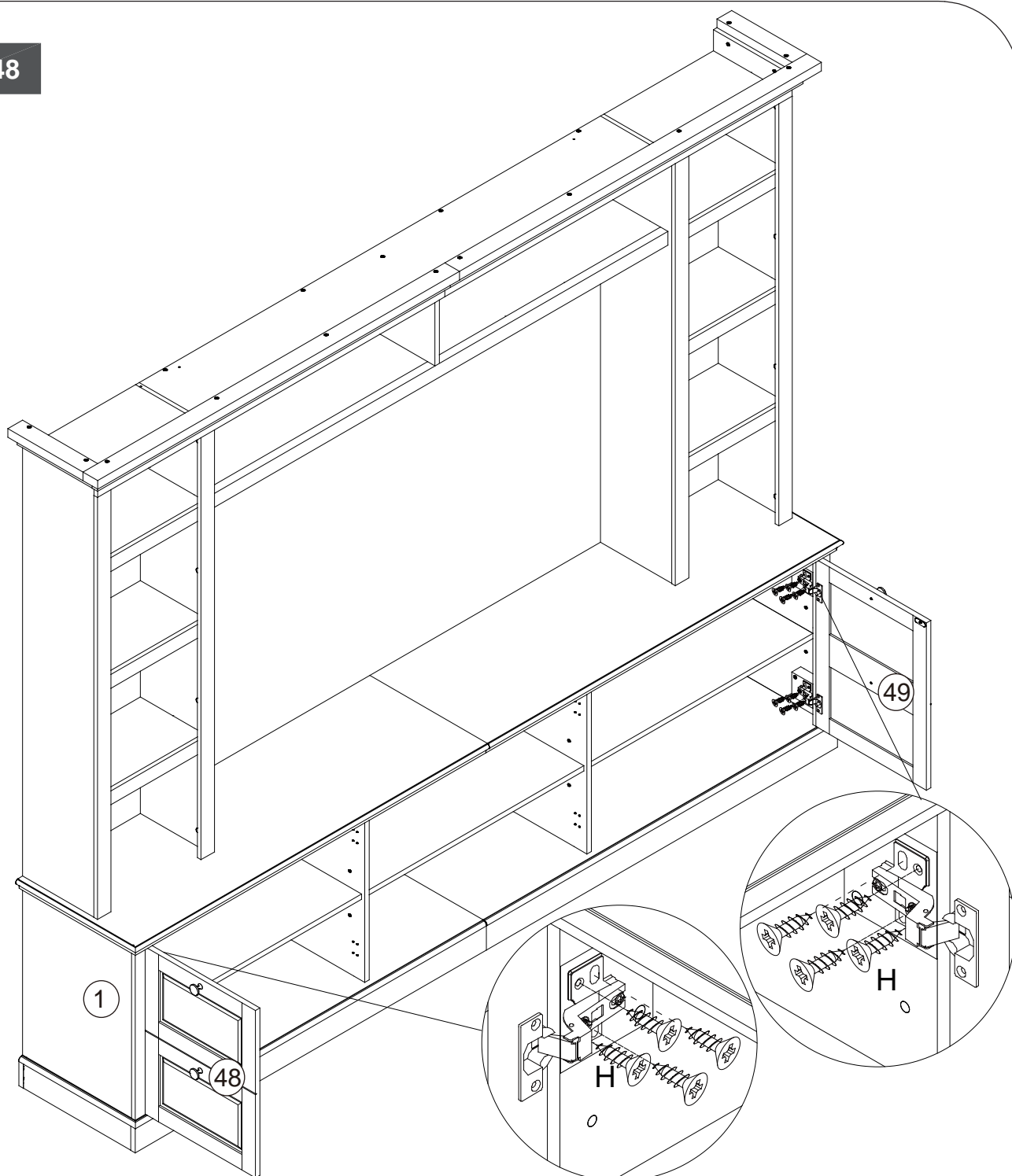
Step 47



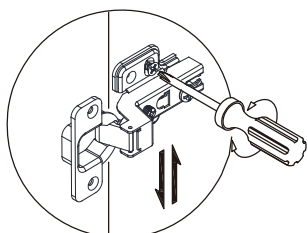
 <p>(P) 4*20mm Handle x 4set</p>	 <p>(Q) x 4set</p>	 <p>(T) 3.5*14mm half-overlay hinge x 8set</p>
---	---	--

Assembly Instructions

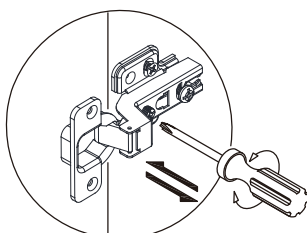
Step 48



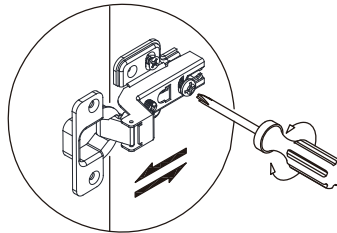
If the door can't close, please adjust the hinges as below.



This is used to adjust the door panel in the up and down direction.



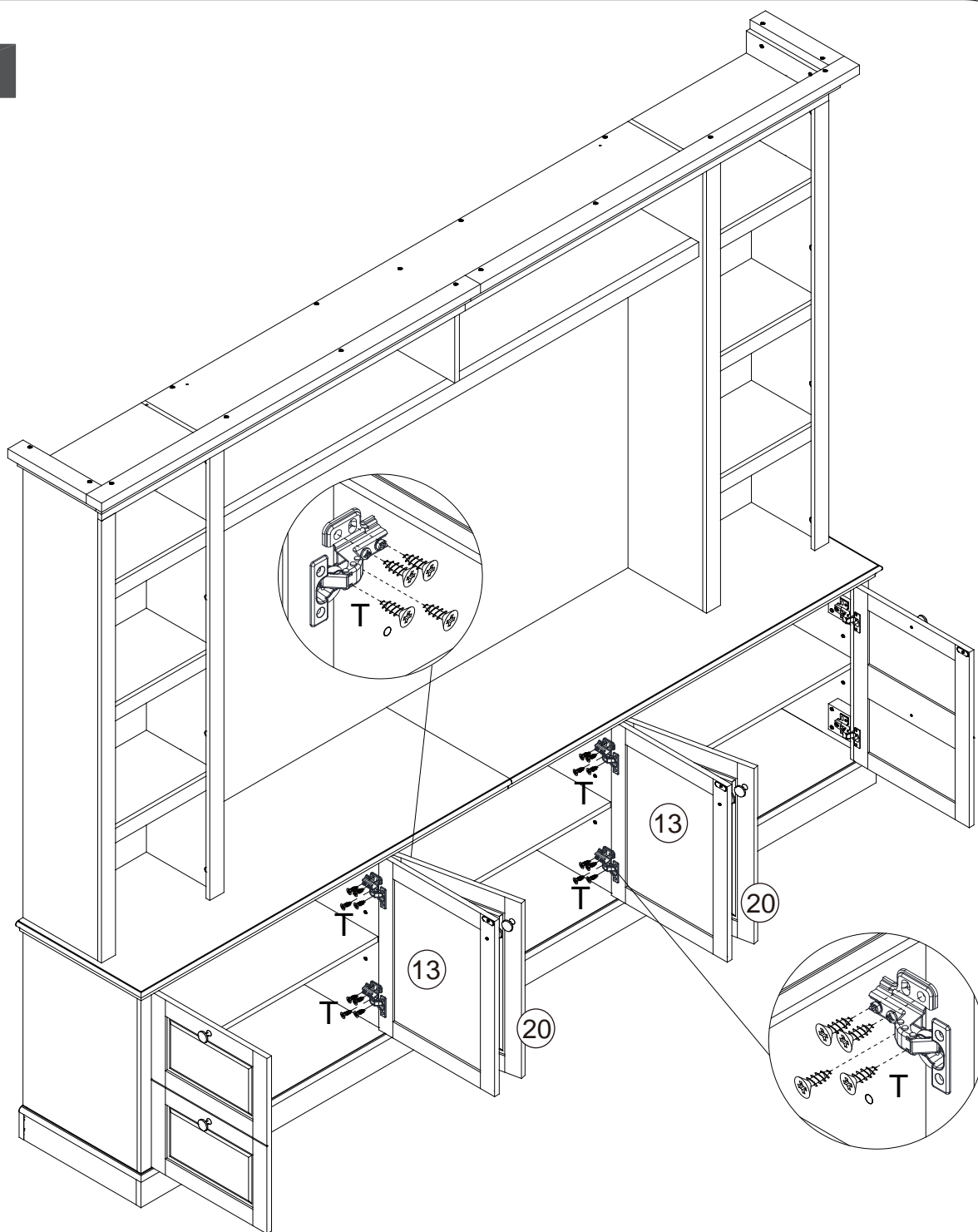
This is used to adjust the door panel in the left and right direction.



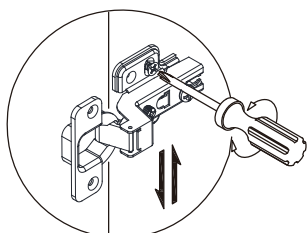
This is used to adjust the door panel in the front and rear.

Assembly Instructions

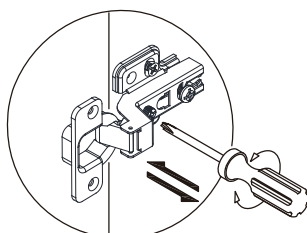
Step 49



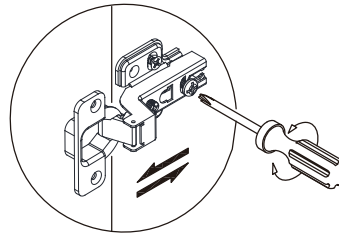
If the door can't close, please adjust the hinges as below.



This is used to adjust the door panel in the up and down direction.



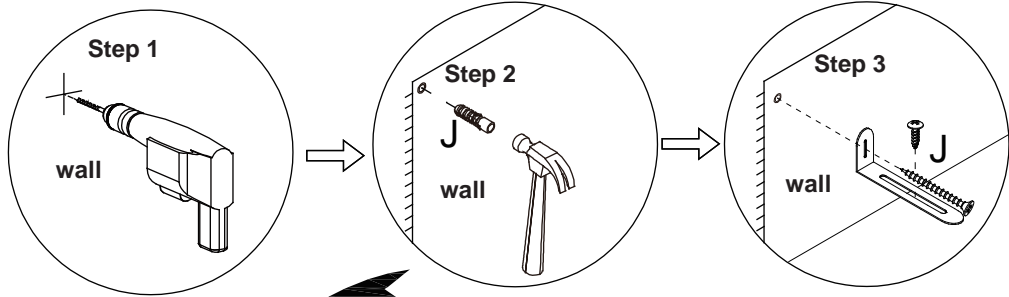
This is used to adjust the door panel in the left and right direction.



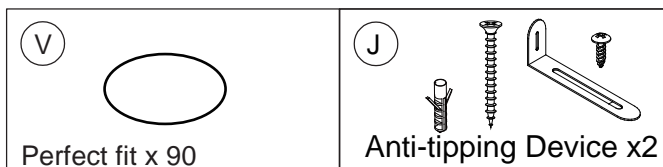
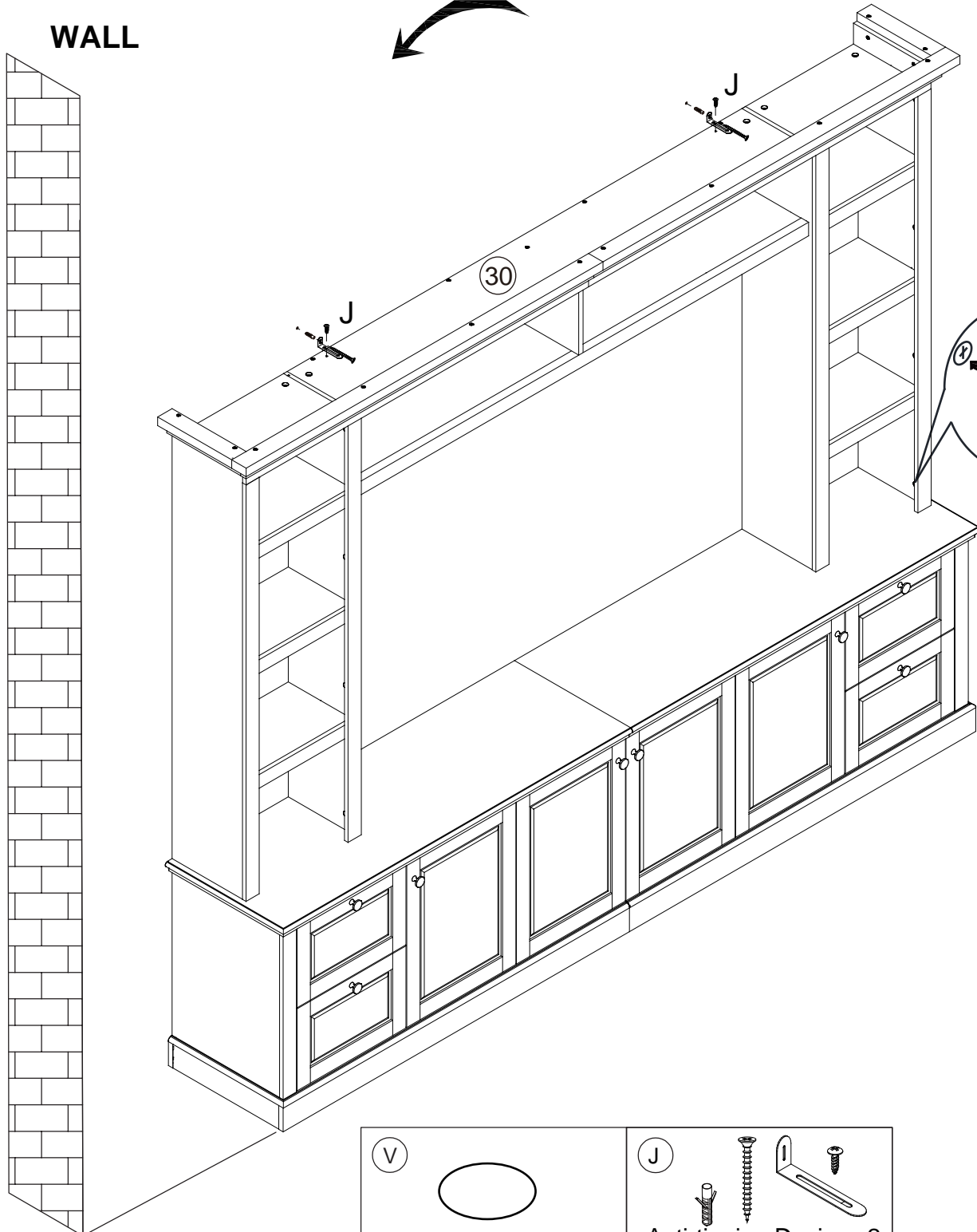
This is used to adjust the door panel in the front and rear.

Assembly Instructions

Step 50



WALL



Assembly Instructions

Finish

