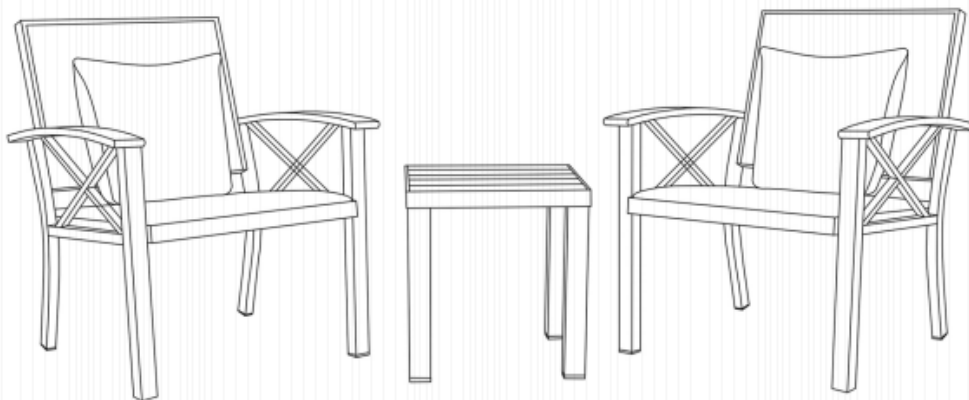
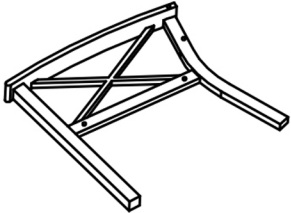
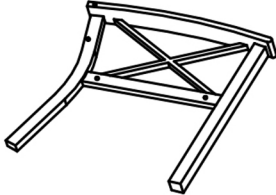
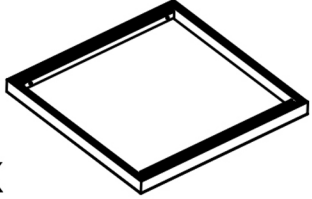
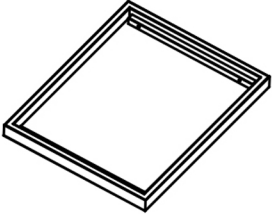



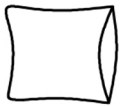


## **Set of 3 Patio Bistro Set Wicker Chair Assembly Manual**

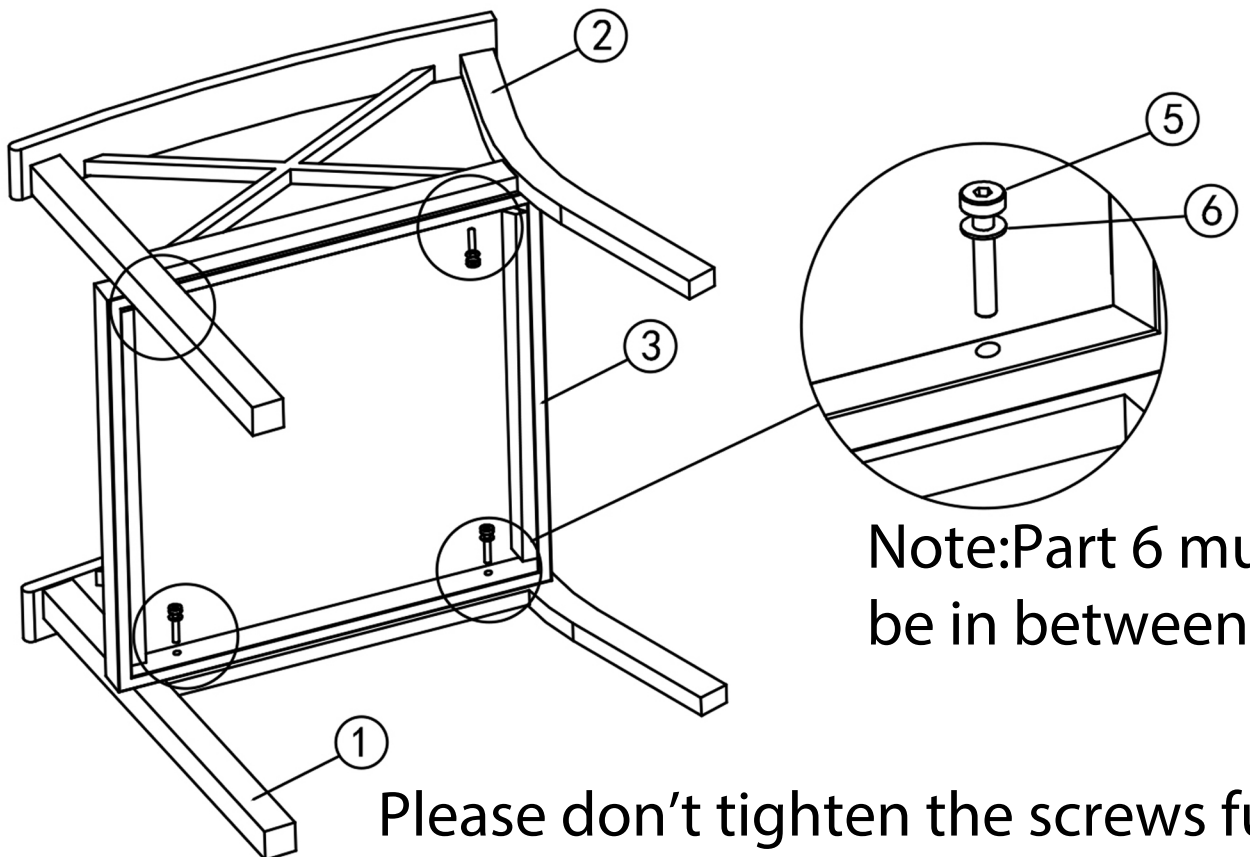


- Prior to assembly, please confirm all of the parts listed included.
- All bolts should be tightened before use. Maybe, you need allen wrench for assembly.

# Parts List:

 <p>① 1X</p>	 <p>② 1X</p>	 <p>③ 1X</p>	
 <p>④ 1X</p>	 <p>⑤ 8X M6X30</p>	 <p>⑥ 8X D6</p>	 <p>⑦ 1X</p>
 <p>⑧ 1X</p>			

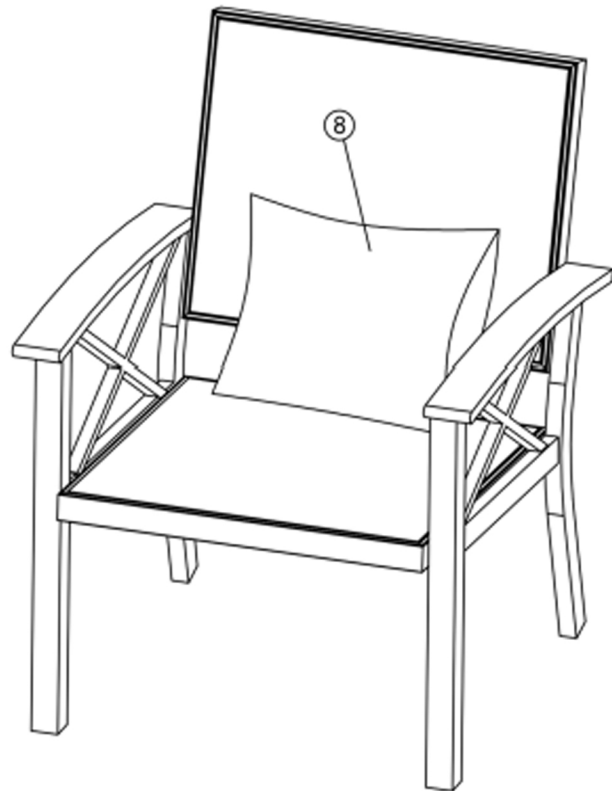
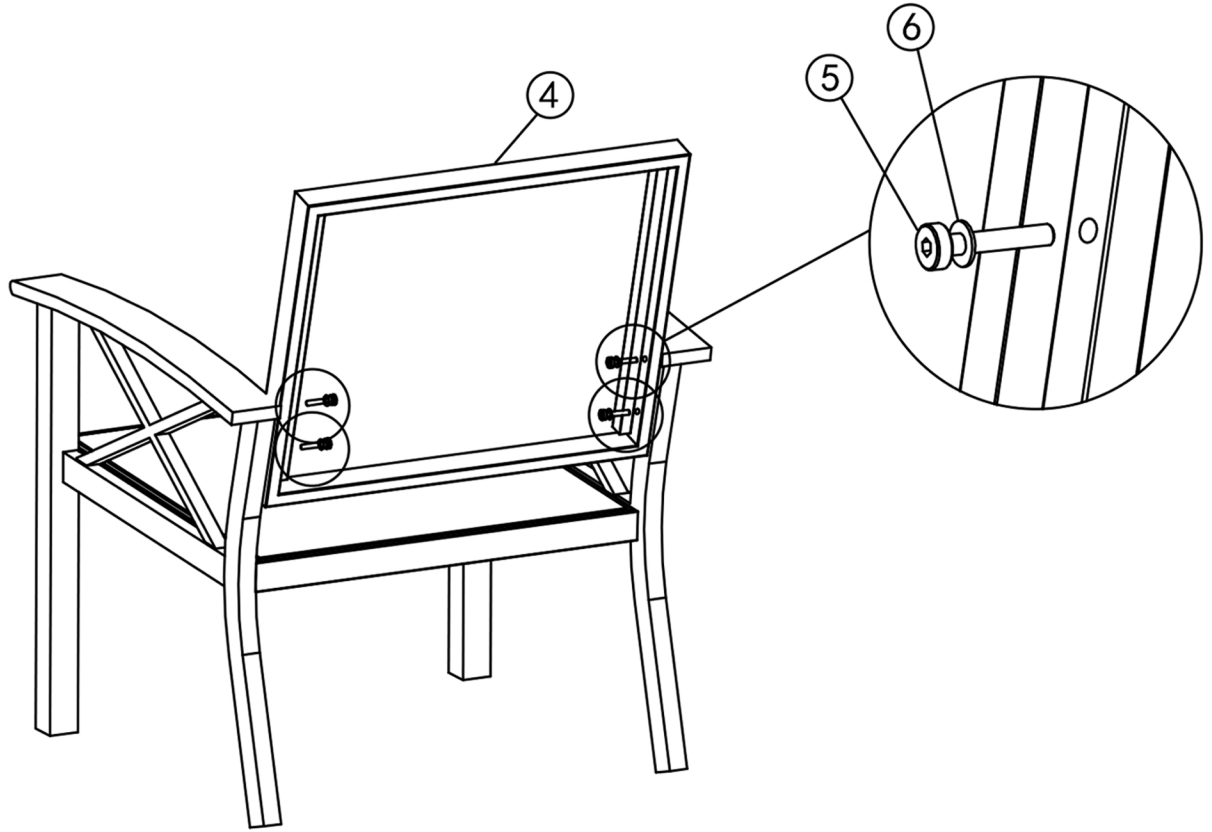
**Step 1:** Install Part 1(Leg) and Part 2(Leg) to Part 3(Seat) with Part 5(Screws) and Part 6 using Part 7(Wrench).



Note:Part 6 must be in between.

Please don't tighten the screws fully before the backrest is assembled.



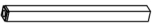
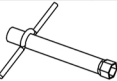


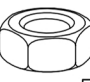
**Step 2: Install Part 4(Backrest) to the legs with Part 5(Screws) and Part 6 using Part 7(Wrench).**

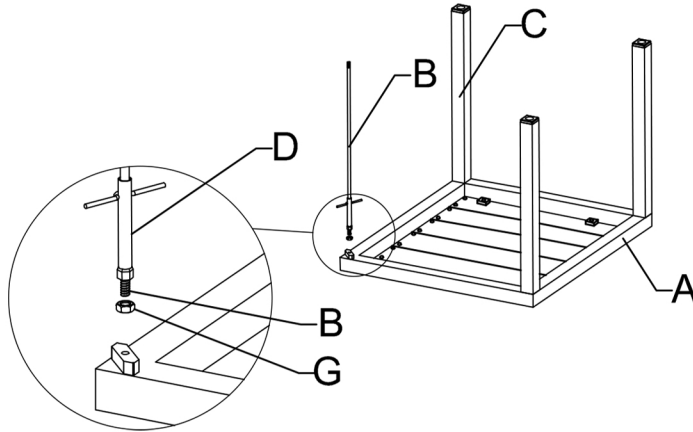


Finally, get the chair.

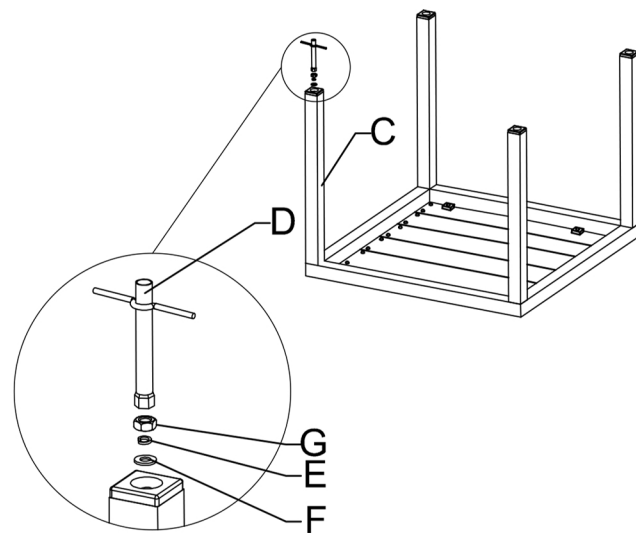
# Table Assembly Manual

## Parts list:

A		X1
B		X4
C		X4
D		X1
E		X4
F		X4
G		X8



**Step 1:** Screw Part G to Part B about 0.5" , then screw Part B to Part A. Lock Part G using Part D(Tool).



**Step 2:** Cover Part B with Part C, Then put Part F and Part E to Part B. Lock Part G(Screw) using Part D(Tool).

