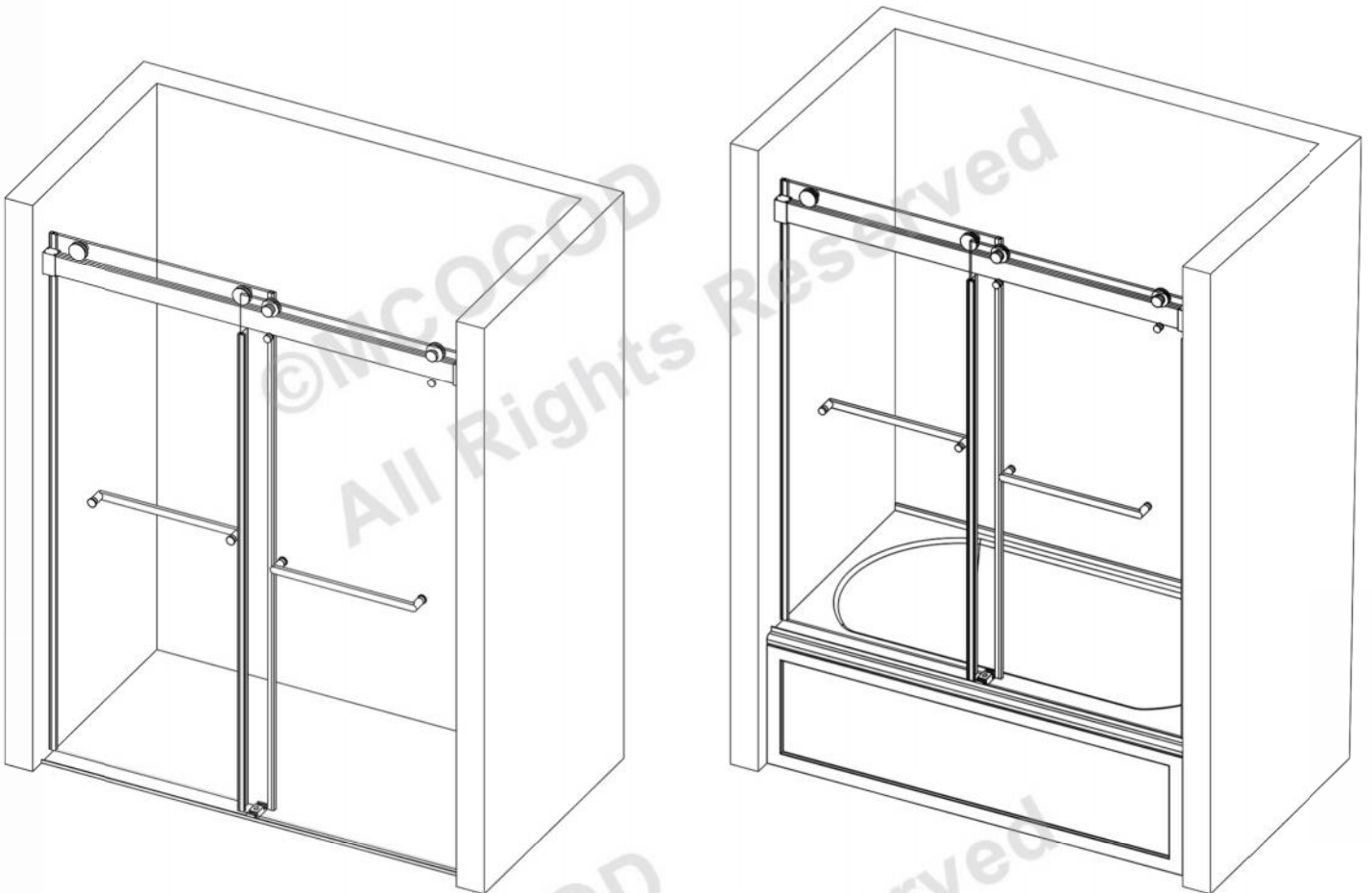




Shower / Tub Door Installation Instructions



MODEL:

DS13

FINISH:

CH-CHROME

BR-BRUSHED NICKEL

BL-MATTE BLACK

BG-BRUSHED GOLD

Please review this manual before installation.

Questions/Tech Support:

manager10@mcocod.com

Daily Online

470-926-8618

321-946-6293

M-F 8:30 AM-5:30 PM PST.

CATALOG

- 1 Product Structure Show
- 2 Parts Listing and Detail
- 5 Preparation
- 7 Tools Required
- 8 Installation Steps
- 14 Inspection and Maintenance
- 16 Troubleshooting Guide
- 18 Customer Service and Video Link

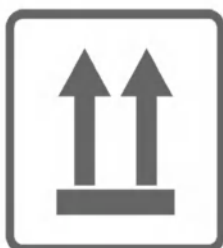
DS13



PARTS LISTING

DS13

NO.	Name	Picture	Qty	NO.	Name	Picture	Qty
①	Sliding Glass		2	⑩	Wide Seal		2
②	Guide Rail		1	⑪	Anti-Splash Threshold		1
③	Roller		4	⑫	8mm Wall Plug		4
④	Anti-jump knob		4	⑬	Screw ST5x40		4
⑤	Wall Bracket		2	⑭	Screw ST4x30		1
⑥	Soft-Close		4	⑮	6mm Wall Plug		1
⑦	Guide Block		1	⑯	Punch Template		1
⑧	Towel Bar		2	⑰	Allen Key		1
⑨	Narrow Seal		2				



Please keep this manual and product code number for future reference or get replacement part if necessary.

PARTS DETAIL



Aluminum punch template

(If missing or broken, please refer to page 8 for punch data.)



Wall Bracket



Anti Jumping Knob



Roller



Towel Bar



Guide Block



Screw



Allen key

PARTS DETAIL



Door Seal



Anti-splash Threshold



Glass

PREPARATION

- 1** Check all product parts for transport damage and check the qty of each part. If the unit is damaged, has surface defects, or missing parts, please contact our customer support dept. Please provide order number, recipient's name, or other proof of purchase to identify the original order.
- 2** Please Note! Please consult your local building regulations to check compliance. We are not responsible for your item's compliance with local building regulations.
- 3** All measurements and installation should do after the wall and shower base were completed. Make sure shower base/threshold is horizontal. Recommended licensed plumber installation.
- 4** Before installation, make sure that the surface of the wall is flat and strong enough to support the total weight of the unit. Make sure that neither side of the wall offset more than 1/4". Use level to verify that your walls are within 1/4" of plumb before proceeding. Irregularly level wall surfaces or too much offset would cause serious problems with the installation.
- 5** Protect all major surfaces of the product when installing and cutting. Do not place glass directly on the rough floor or leaning against the wall, place it on the cardboard or smooth plank before installing it. Do not remove the glass corner protections until installation is complete.
- 6** Note: Drilling on the threshold is required to install this unit. MIN. threshold requirement for installation is 3 in. then the guide block will protrude inward about 1/4 in. We recommended to purchase a finished shower base with threshold width of no less than 3 in. to match it.

PREPARATION

- 7 This instruction will use the installation of shower door as an example. The steps for installing tub door are the same.
- 8 Understanding shower door construction and parts installation locations. (Please refer to page 1~4). 4 soft-closes have been pre-fixed into the guide rail, please adjust the fixed position of soft-closes before cutting to avoid damaging them.
- 9 Installing DS13 double sliding door does not require selection of opening direction. Once installation completed, move both doors to change the direction of opening. In entering and exiting the shower, both doors need to be used.
- 10 Tile walls are best to replenish some glass glue at the tile seams to avoid leakage after the installation is completed.
- 11 Do not cut, polish, etc. to destroy the original appearance of the glass as this will void the warranty.
- 12 Heavy item! Handle carefully of the glass is required during installation, please do not step on the glass to avoid bumping. After removing the sliding glass corner protections, do not hit the glass corner. We recommend that two adults be involved in the installation.
- 13 Please watch the product installation video for further installation details, or check the online product page (HomeDepot/Amazon/Wayfair). If you choose to DIY, we recommend that you complete each step of the installation in combination with installation video. Some parts and installation steps have been improved, please refer to this instruction steps. You can also search for "MCOCOD DS13" on YouTube and find the video posted by "MCOCOD Shower Door"
(Video Link: <https://youtu.be/vzh3g5pOJjc>)



NOTE: Please follow this instruction to install the item, non-compliance may result in glass damage or serious personal injury.

TOOLS REQUIRED

(Please bring your own tools)



(we offer)
Aluminum punch template



Spirit level



Tape measure



Power drill



Screw driver



Drill Bits 5/16" & 1/4"



Pencil



Rubber hammer

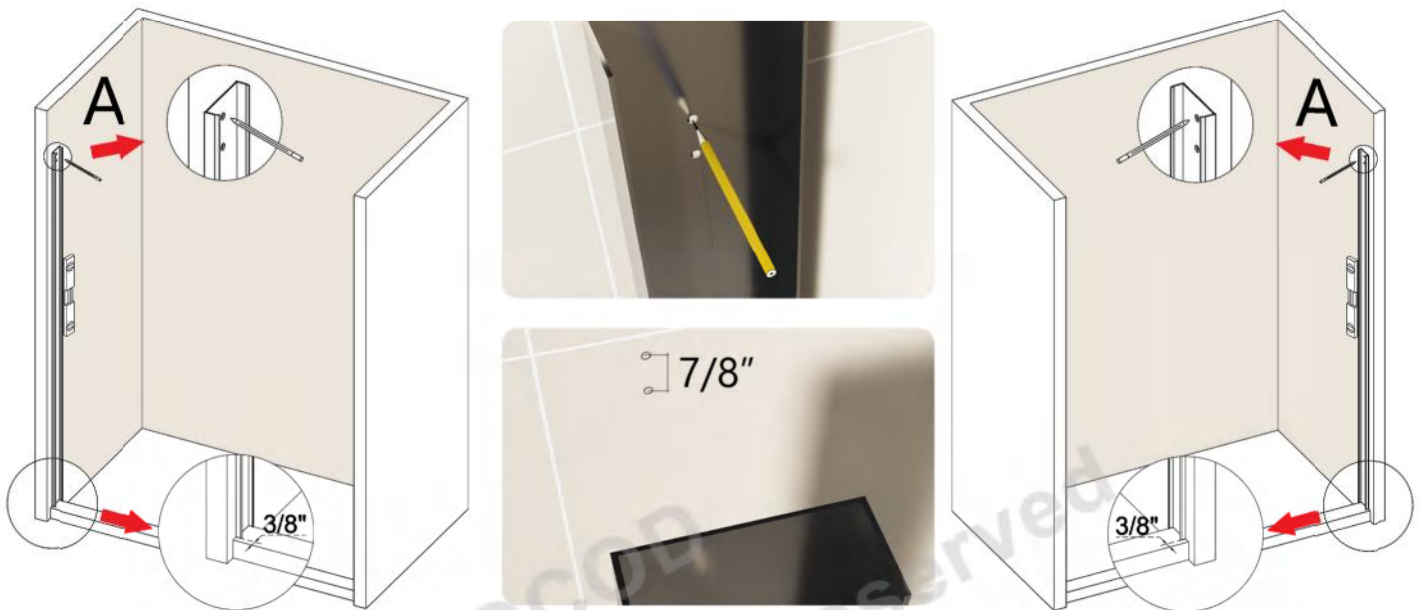


Hacksaw

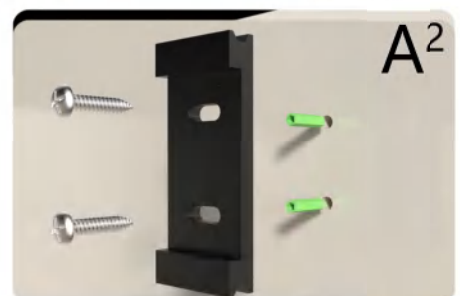
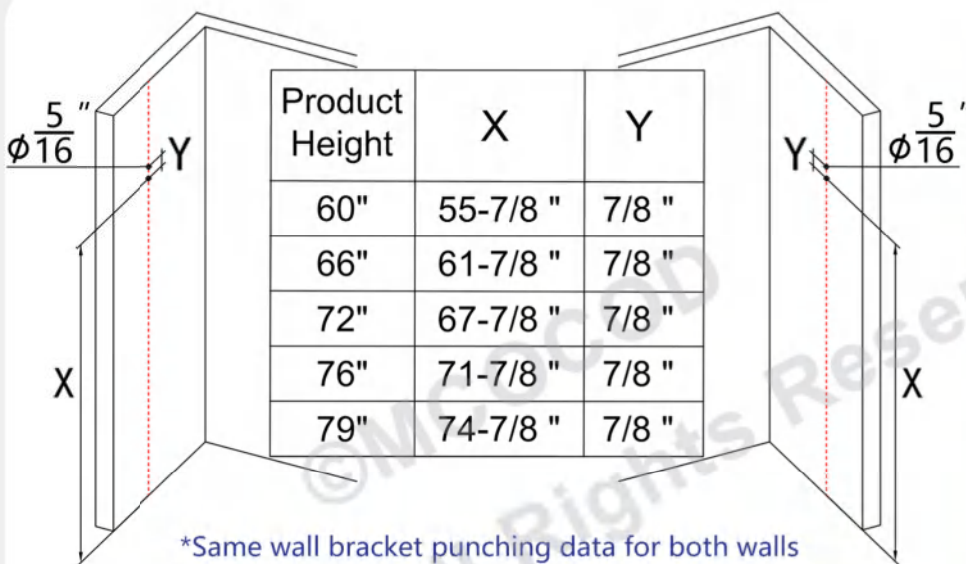


Silicone Gun
Modified Silane(Silyl) Polymer

INSTALLATION STEPS

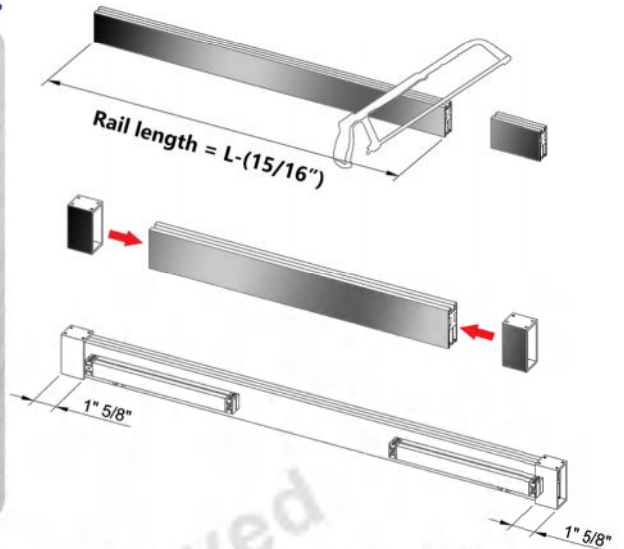
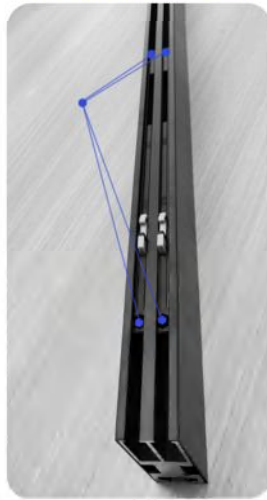
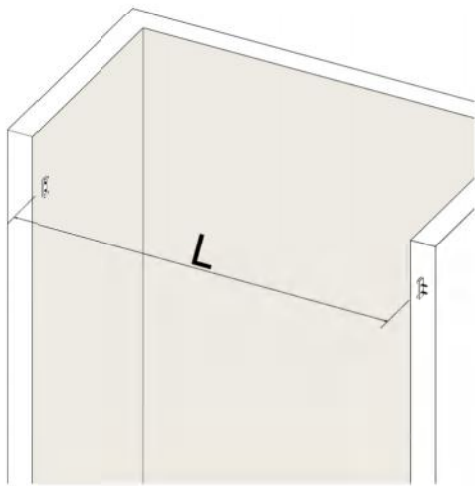


① Punch rules: Drill holes should be located on the wall at the vertical side of the threshold. If punch template missing or broken, please refer to step 2 of punch data. No need to select the opening direction for DS13 installation. Please put the punch template vertically close to the wall, the bottom needs to touch threshold. The outside of punch template should be at least 3/8" from the outside of your threshold, use level to confirm the vertical and draw total of four position of the punching points on both side walls. The height of the corresponding points drawn on both walls should be the same.



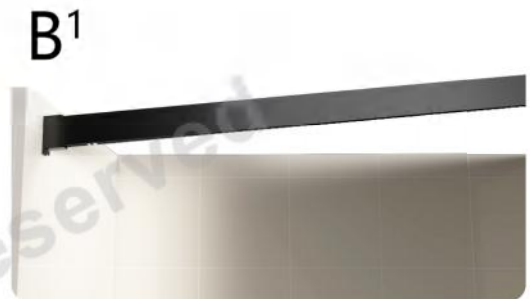
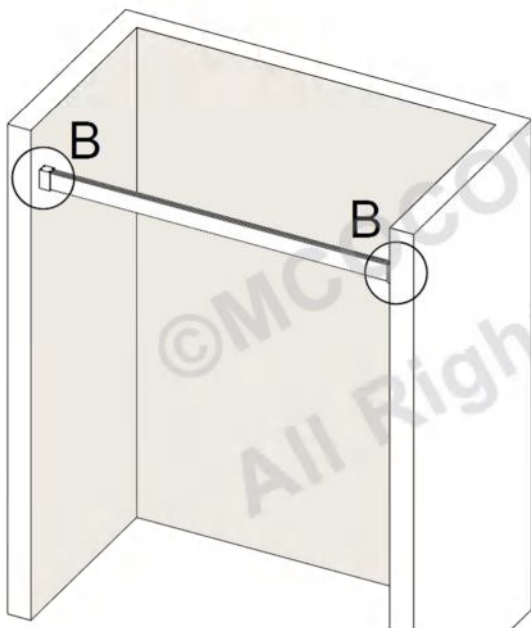
② The vertical surface of wall bracket drilling position should not be less than 1-5/8" away from exterior vertical surface of your threshold. Check the drawn points on both side walls against the table data. If your threshold and wall joints are curved, not right angles, please measure and drill the holes using the table data directly. Drill the holes according to the drawn holes, making sure that there is no offset of the holes. Then install two wall bracket bases on both side walls, use part 12 and 13.

*The soft-close screws

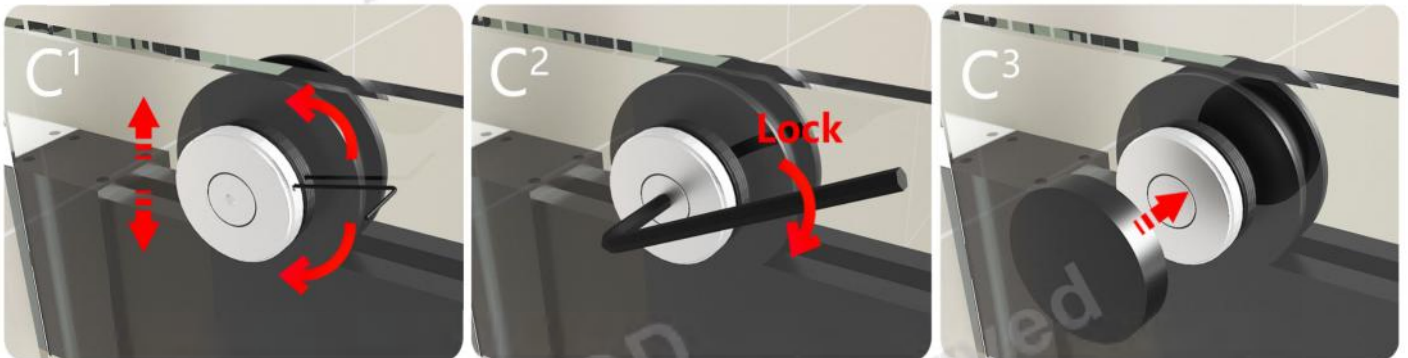


③ Please measure the opening at the top of your shower, the final length of guide rail will be equal to the top width of your shower opening minus 15/16 in. (1 in. also works) then cutting guide rail according to measured data. Please wear protective gear before cutting, be careful not to damage the finish of guide rail. 4 soft-closes have been pre-fixed into the guide rail, please adjust the fixed position of soft-closes before cutting to avoid damaging them. Please note that you'd best not to remove soft-closes from the guide rail. Loosen the fixing screws on both sides of soft-close a little to adjust its fixing position. After cutting, re-fix soft-closes in the position as shown.

If you need to stretch the installation width, just adjust the insertion depth of wall brackets and guide rail without cutting. DS13 has MAX installation width stretch of 3/4" for each size. If you purchased Brushed Nickel or Chrome unit, please carefully remove the plastic protective film on the guide rail surface at this time. Do not remove the stainless steel shell from the surface of guide rail, which is part of guide rail.

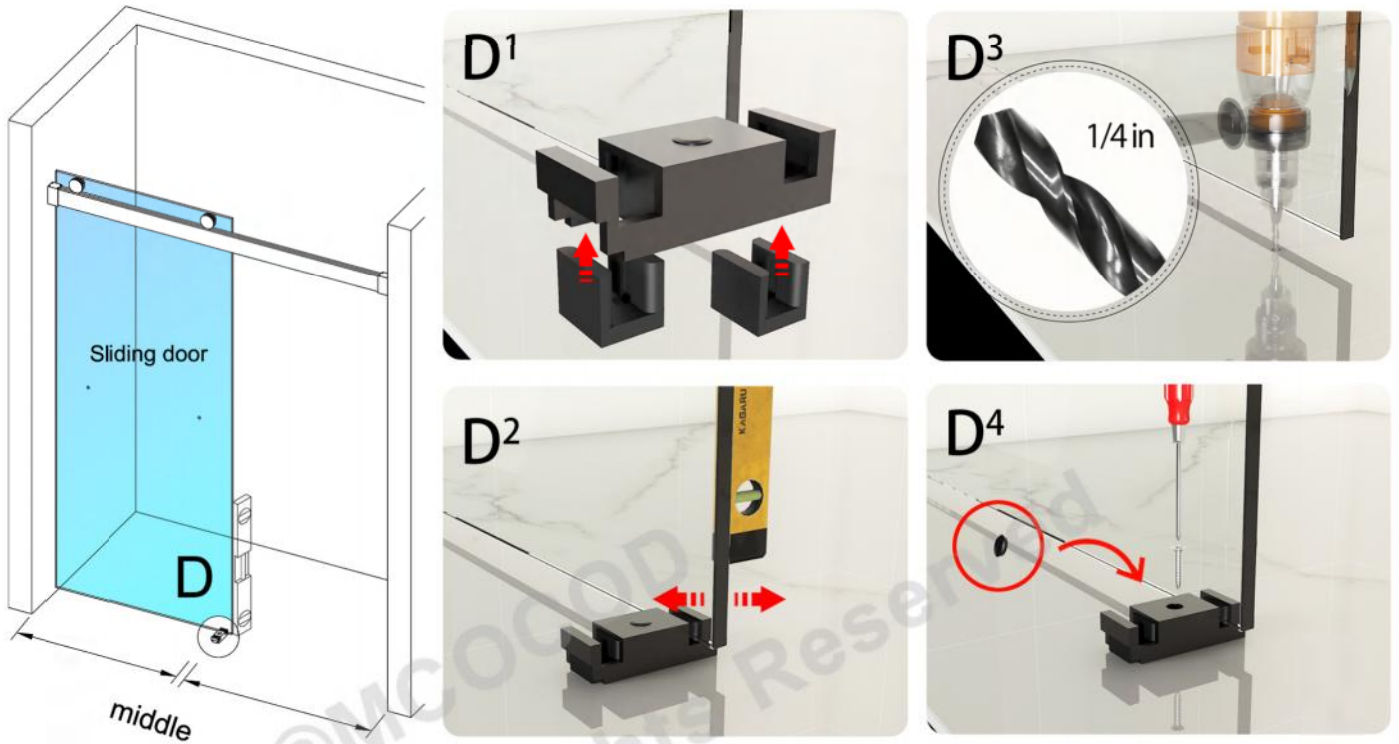


④ Loosen the fixing screw at the top of wall bracket connection to avoid blocking the insertion to guide rail, without unscrewing it completely. Place wall bracket connections to the sides of guide rail and place them at the level of wall bracket base, then push the wall bracket connections on both sides to cover the base. Tighten the wall brackets on both sides with screws to lock guide rail.

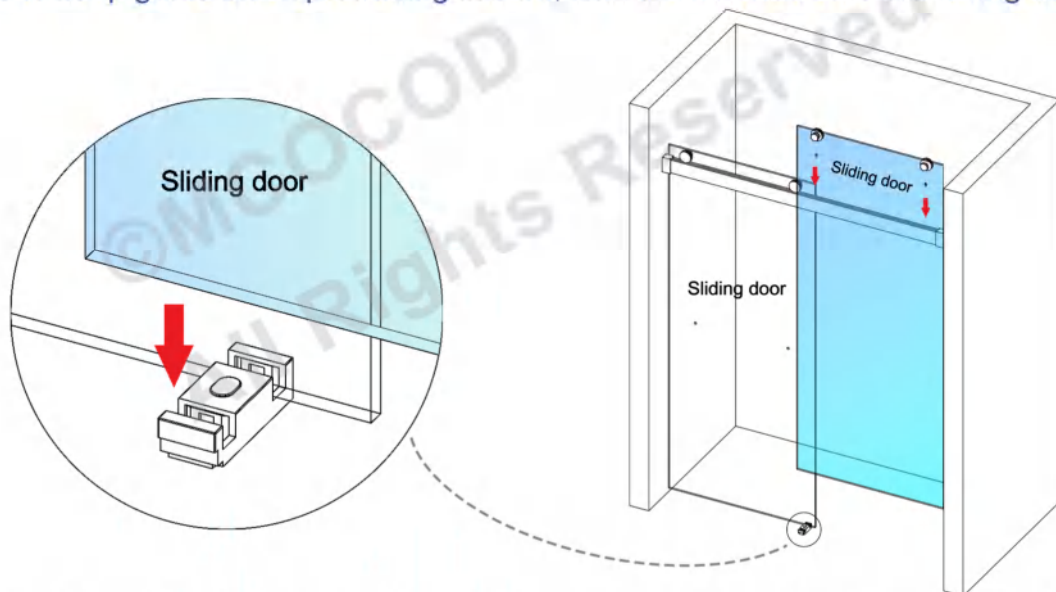


⑤ Installation of inside sliding glass: The two pieces of glass are identical. Unscrew the decorative cover of all the rollers and separate the rollers with Allen Key. Install the two rollers in the two holes above the glass as shown then tighten the set screws, don't miss the washer in the middle. Hang the sliding glass on the inside guide rail, then use Allen Key to loosen the roller screws a little. Use Allen Key to adjust the hole on the side of the rollers to adjust the level and height of sliding glass, make sure that sliding glass is level and then tighten the fixing screws, tighten the decorative cover of the top rollers at last. Sliding glass can be allowed to tilt a little to match non-vertical wall, and the remaining offset allows door seal to fill in.

Please note that to adjust the height of sliding glass, you need to make sure that the bottom of sliding glass is not touching your threshold and the groove bottom of guide block, to avoid unsmooth sliding.



- ⑥ Installation of Guide Block: Place the guide block under the sliding glass, centered on the threshold of the shower. Be careful to keep the side of guide block with the notched side facing out, for subsequent installation of outside sliding glass and anti-splash threshold. Hold sliding glass to ensure safety. Then use a level to make sure sliding glass is vertical. After confirming the vertical, draw the guide block drilling point, removing sliding glass and placing it on the cardboard, remove the guide block and then drill the hole. Install the guide block with part 14 and 15 as shown, put on the screw hole decorative cover. **Please note that the outside of guide block does not extend beyond the outside of your threshold.** Re-hang sliding glass on the inside guide rail, taking care that the bottom of sliding glass enters the groove of the inside guide block. **If you choose to install the outside door first, just install sliding glass the same way as shown before, please note to keep guide block protruding inward, with the notched side still facing outward.**



- ⑦ Installation of outside sliding glass: Install the two remaining rollers on another sliding glass. Installation method is the same as the inner door. Then hang the sliding glass on the outside guide rail. Take care to keep the bottom of outside glass in the outside grooves of guide block.



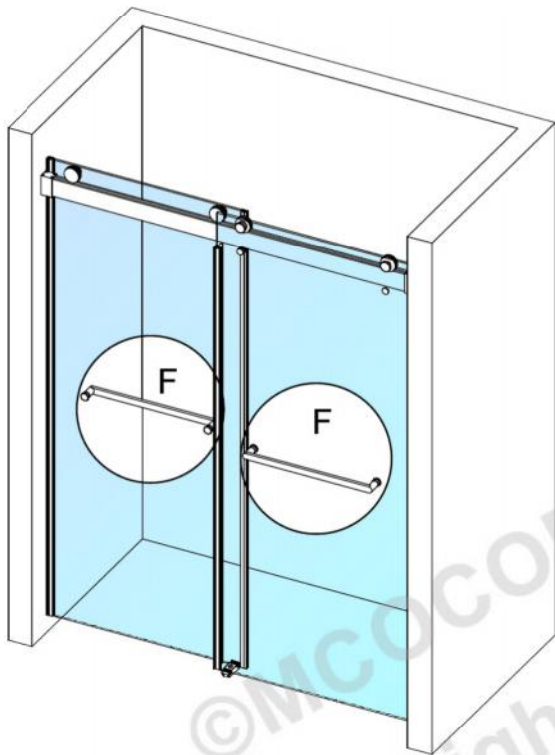
⑧ The illustration shows the two states of soft-close. The fixed position of soft-close will determine its final closing position range. Before testing soft-close, please make sure that the fixing screws of soft-close and anti-jump knob are tightened. Anti-jump knobs need to be installed on the inside of soft-close hooks.

Installation of Anti-jump Knob: Make sure that a total of 4 soft-closes at both ends of guide rail have been correctly fixed in the corresponding positions (refer to the illustration in step 3).

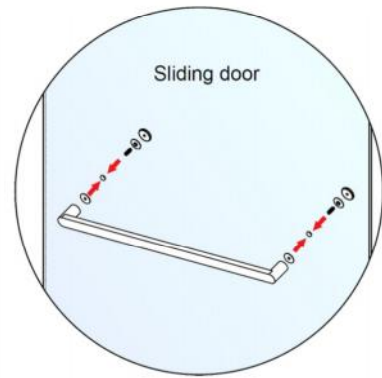
Method 1: With the soft-close in the closed status, use Allen Key to detach the anti-jump knob and install it on the bottom of guide rail as shown. Then loosen it a little to adjust it to the height that it almost touches the bottom of guide rail, close to but without touching, small gap, the distance is about 0.04 in. (1mm), directly visually to adjust it. Then tighten the fixing screws, please note to keep the anti-jump knob's height and the top level while tightening it.

Method 2: Push sliding glass to the middle of the door, install anti-jump knob at the bottom of guide rail according to method 1, again near the bottom of guide rail but without contact, and then pull all the soft-close inner hooks in the closed status to the open status, we recommended to wear gloves to operate them. Once complete, you can test for soft-close, the principle of the two methods is similar, adjust the height of anti-jump knob is key point!

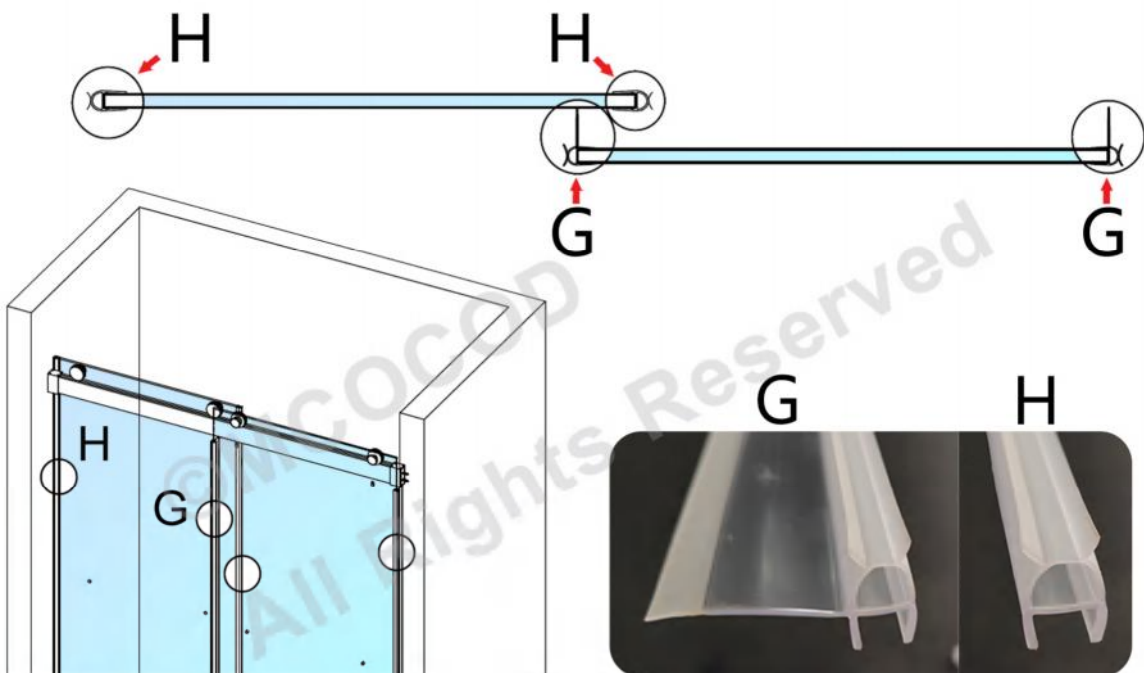
Soft-close Test: After tightening, start the soft closing test, if the anti-jump knob can easily enter the soft-close groove without noise when closing the door, and when opening the door, the anti-jump knob can drive soft-close inner hook to open status and will not spring back, it means that this soft-close installation and test is completed. The anti-jump knob is fixed too high or too low will lead to the failure of soft closing. the relevant issues processing method please refer to page 17. Please note opened and closed gently during the soft-close test. Do not force the door shut or force anti-jump knob into the groove during test period to avoid damage. It may take several times to achieve perfect soft closing status. Please make position adjustments according to the actual soft closing situation. The installation method of the remaining three soft-closes is the same, after all the installation and testing are completed, tighten the decorative covers of anti-jump knob, this step is completed!



F



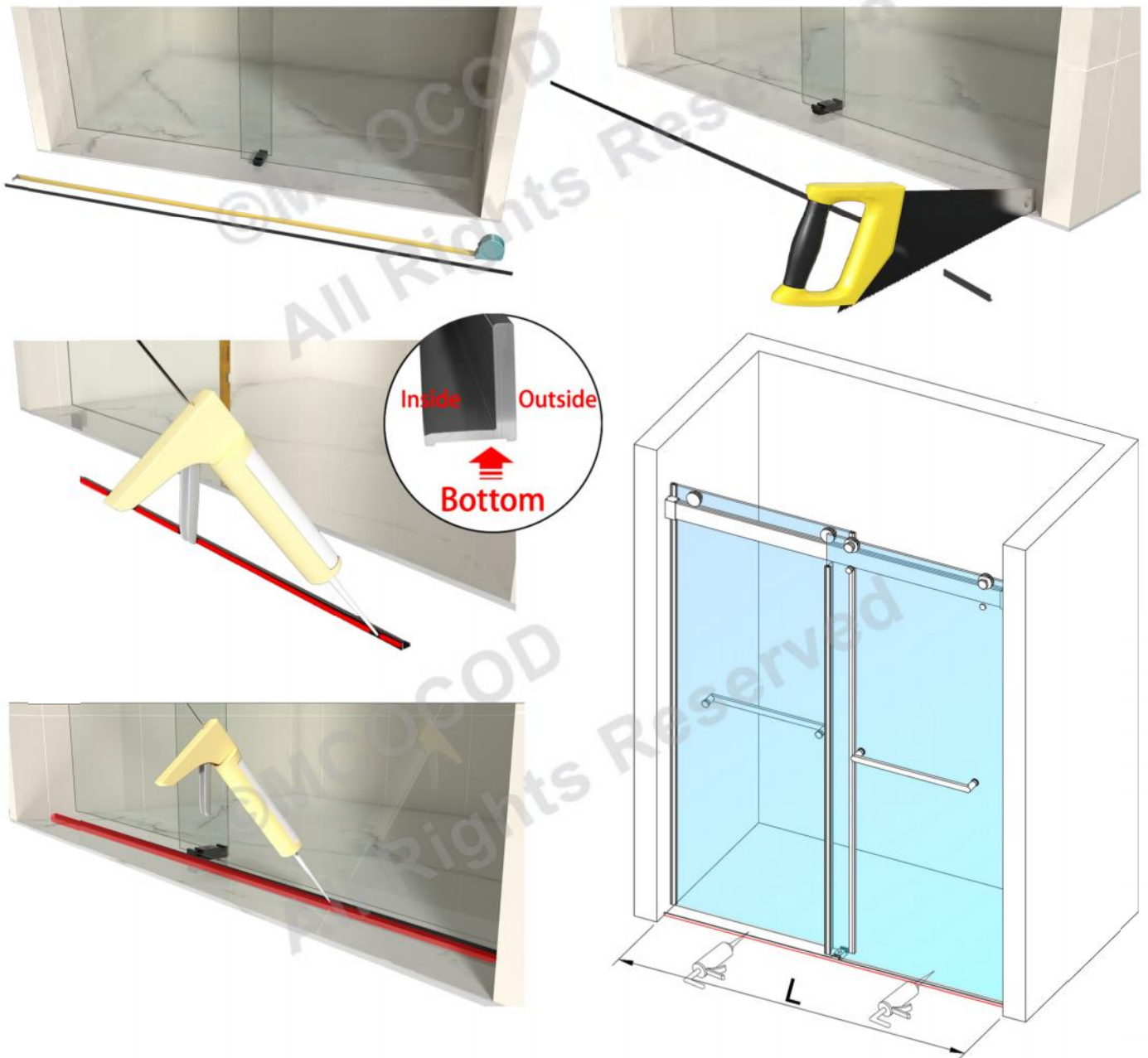
⑨ Install handles to the corresponding holes on two doors according to the illustration. Outside door handle protrude outward, inside door handle protrude inward.



⑩ Install the door seal as illustrated, wide door seals can be installed on both sides of the same pc of sliding glass. All door seals should be installed starting from the bottom and working upwards. If the roller scratches against the door seal, please adjust the height of door seal or trim the top of door seal.

⑪ Please check whether you need to cut anti-splash threshold according to the width of the bottom shower opening, taking care that do not damage its finish if cutting. Cut to the right length to match the opening. Please loosen the set screw of guide block a bit, allow Anti-splash Threshold to access the notch easily. Apply silicone to the groove side of anti-splash threshold. Make sure the guide block notch and anti-splash threshold fit well and that anti-splash threshold doesn't protrude from your threshold, then retighten the guide block set screw to catch anti-splash threshold.

Remove two sliding glass corner protections. Check the installation stability of each part, tighten the fixing screws of each part. You can push and pull slowly to test the sliding effect, just don't touch the anti-splash threshold. Clean up the garbage, dry the water and stains with soft cloth, then applying the mildew-resistant silicone on the side of anti-splash threshold. Punch template and box can be discarded after installation or retained for other uses. Installation completed!



Note: Please dry for 24 hours after the mildew-resistant silicone is applied before use.

PRODUCT INSPECTION BEFORE FIRST USE

- 1 Check the level and stability of guide rail.
- 2 Check whether sliding glass is vertical.
- 3 Check whether the fixing screws of rollers, soft-closes, guide block and guide rail are tightened.
- 4 Check whether sliding door slides smoothly without noise. Door can be locked in closed position when closing door.
- 5 Proper gap between anti-jump knob and the bottom of guide rail when door slides.
- 6 Proper gap under sliding door between the threshold and guide block.
- 7 Check that the door opening and closing can be done with normal soft-closing and without noise.

For technical support, please contact us.

SHOWER DOOR MAINTENANCE AND CARE

- 1 Shower door glass is double-sided easy-clean glass. For daily cleaning using moist soft cloth to wipe away surface water and stains, reduce the use of cleaning agents to extend the easy-clean performance. We recommend cleaning the hardware at least once a week and cleaning the glass daily after showering. It's best to use damp, soft cloth and silicone squeegee, or you can use some neutral, mild detergent. Remove the door seals allows you clean the glass overlap area.
- 2 Do not use any sharp cleaning tools or cleaning agents with abrasive ingredients to clean the glass. Do not use abrasive cleaners or cleaning products that contain ammonia, bleach or acids. If accidentally used, rinse the surface ASAP. Long-term use of corrosive cleaners will cause discoloration or spots of the hardware. Reducing the use of cleaners will prolong the use of the hardware&glass appearance. You can use small amount of anhydrous ethanol or Neutral Mild Cleaner to clean stubborn water stains or calculus on the hardware.

3 Do not let the shower water directly wash the bottom of sliding door, otherwise it may result in water splashing out of the bottom of sliding door.

4 Although DS13 has soft-closing system, do not open and close the door violently frequently, as this may result in damage to the soft-close. To prolong its lifetime, we recommended to open and close the door gently.

PLEASE NOTE: In order to prolong the life of your door, please check the glass and all hardware regularly for shifting/damage/difficulty sliding/noisy sliding, to void incorrect operation during the installation process to affect the subsequent use and cause damage. If you have any questions or concerns, please contact us.

TROUBLESHOOTING GUIDE AND NOTE

If not installed correctly, the following issues may arise.

Shower door leaking issues:

Q1: Water leaks in the middle of the two doors, how should I do?

A1: Please swap all the two wide door seals to the middle when you shower, so that the middle will not leak.

Q2: The bottom of the inner door leaks, how should I do?

A2: Please confirm product wall bracket punching data are correct and the anti-splash threshold silicone seals well without leaking, then following adjustment may need to be done.

1. Adjust the angle of the shower head, avoid the shower water directly wash the bottom of the sliding glass.

2. You can swap the left and right position of the two doors if it's possible.

3. After completing steps 1 and 2, if the bottom of the sliding glass is still leaking you can adjust the height of the top rollers to reduce the height of the glass. Complete these 3 steps would solve it, if there still leak please contact customer service for support.

Before adjusting the height and level of sliding glass, we recommended to adjust the height of Anti-jumping Knobs to avoid affecting the adjustment of top rollers. Adjustments completed and then restore Anti-jumping Knobs.

FAQ About Soft-close and Anti-jump Knob Adjustment

If soft-closes and anti-jump knobs are not adjusted correctly the following issues may result:

Q1:The door is closing with large gap between the wall and the door or the door is fully closed just as the soft-close system begins to operate.

A1:This issues is due to incorrect soft-close fixing position. Loosen the soft-close fixing screws to adjust the position to 1-5/8 in. from the wall, this position needs to be adjusted according to the actual soft closing effect. The soft-close set screws need to be retightened before the soft closing test.

Q2:If the height of anti-jump knob is not adjusted to proper height, the following issues may arise: When its height is too high, it will lead to noisy sliding or the anti-jump knob can not enter the soft-close groove. When its height is too low it may lead to soft-close spring back to the closed status when open the door, which makes it impossible to carry out the next soft closing process.

A2: Loosen the anti-jump knob fixing screws, adjust to proper height and re-fix it. At this point, there is a small gap but no contact with the bottom of guide rail. If soft-close at the closed status, you can pull the soft-close inner hook towards the center of the door to the open status. After adjusting the height of anti-jump knobs, retest the soft closing effect.

Info about Glass:

Treated with Enduro Shield.on both sides
Low-iron Tempered Safety Glass
16 CFR 1201
CAN/CGSB 12.1-2017
ANSI Z97.1-2015
3/8"UA SGCC

NOTE:The black/white lettering on the corner of the glass is the certification name, which is mandatory printing.
Thank you!

Customer Service:

470-926-8618
321-946-6293
manager10@mcocod.com

Installation Video:

<https://youtu.be/vzh3g5pOJjc>
www.mcocodsupport.com

You can also search for "MCOCOD DS13" on YouTube and find the video posted by "MCOCOD Shower Door"

Return Address:

- **4800 Little John St.**
Baldwin Park, CA 91706

Please contact our customer service to get replacement or confirm the return steps before returning.