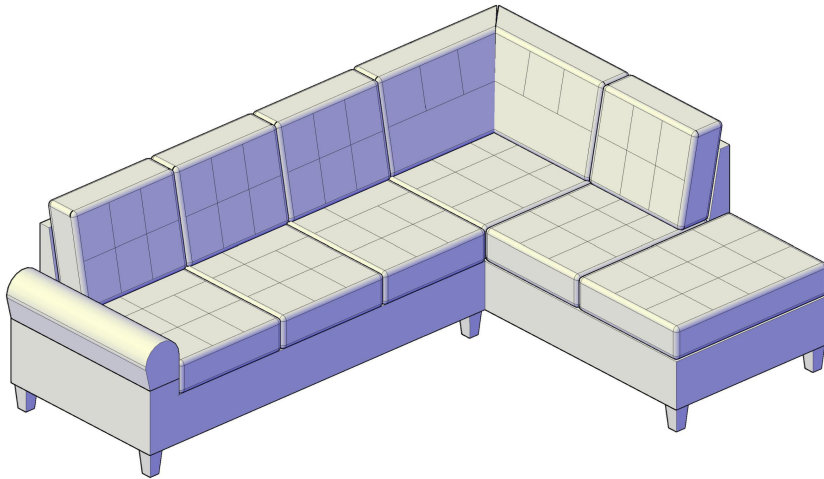
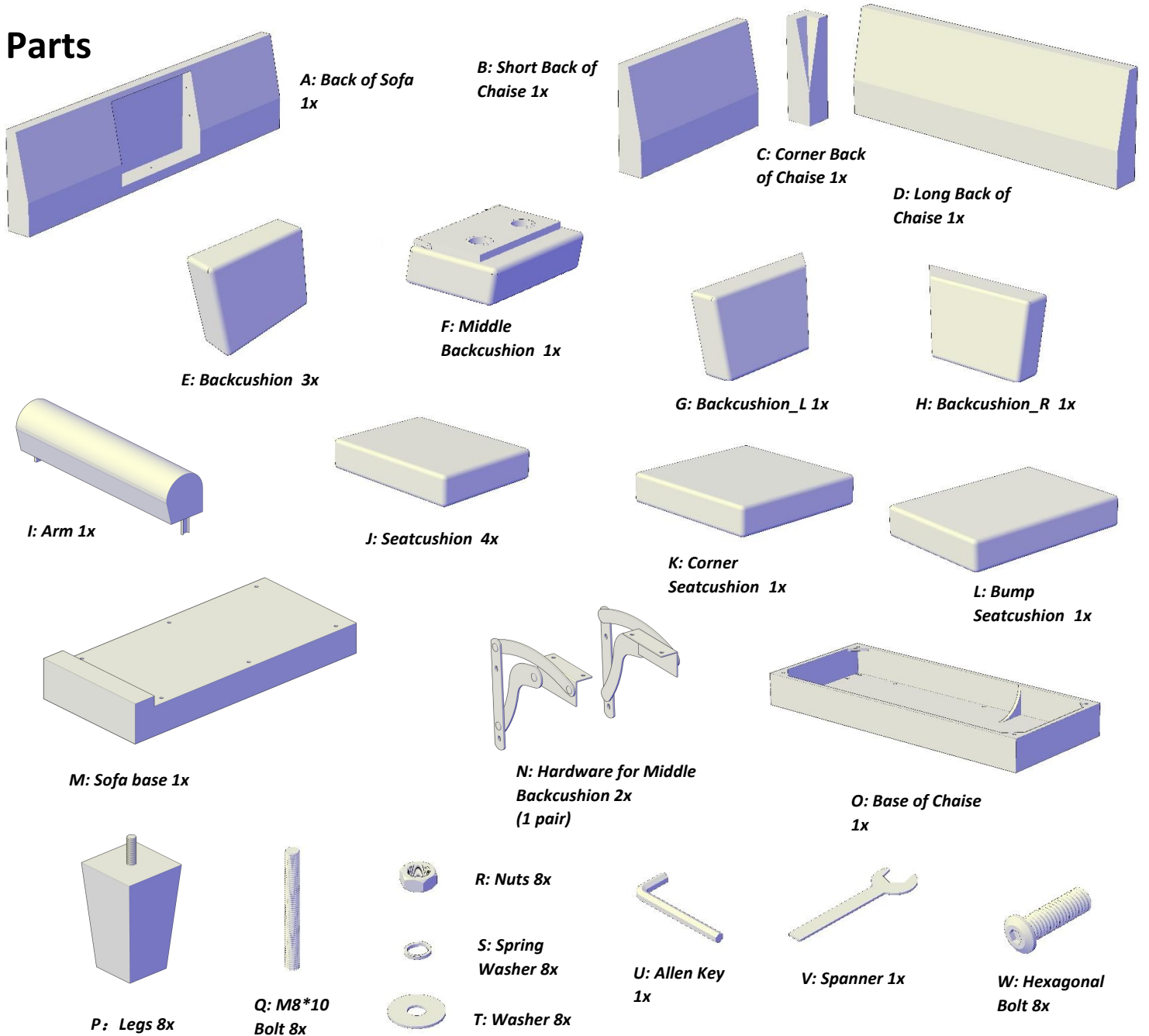


INSTRUCTION D'ASSEMBLAGE
ASSEMBLY INSTRUCTION

5102 Sectional

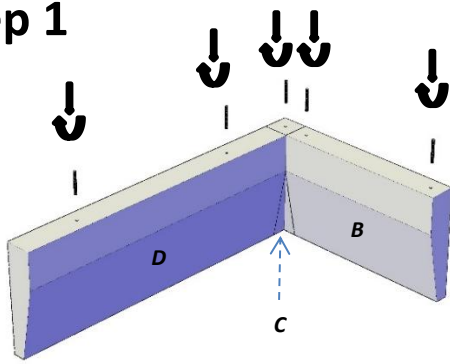


Parts

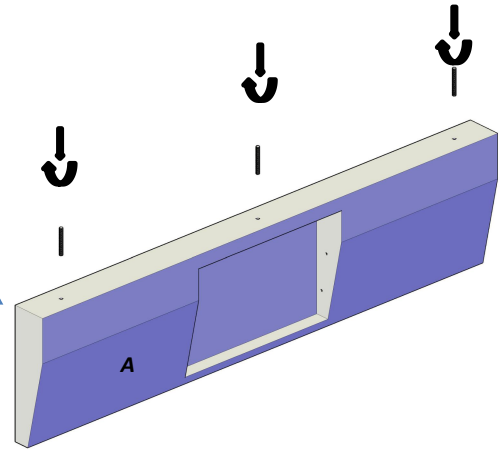


Step 1

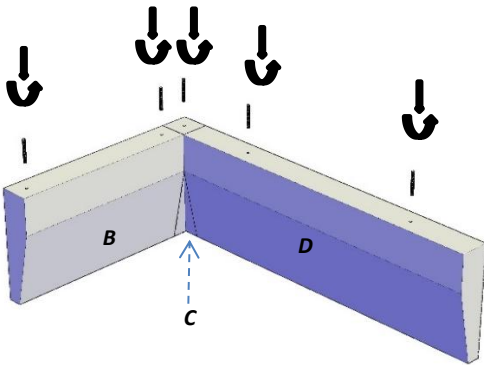
Left arm Sectional



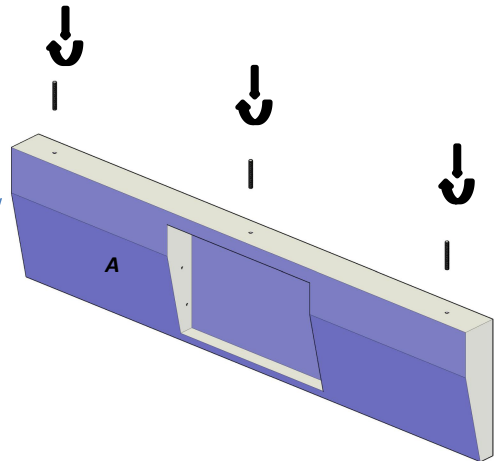
Screw the Bolts (Q) into the embedded nuts of Part A/B/C/D



Right arm Sectional

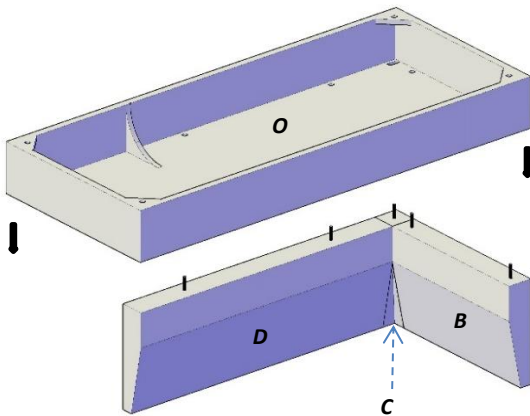


Screw the Bolts (Q) into the embedded nuts of Part A/B/C/D

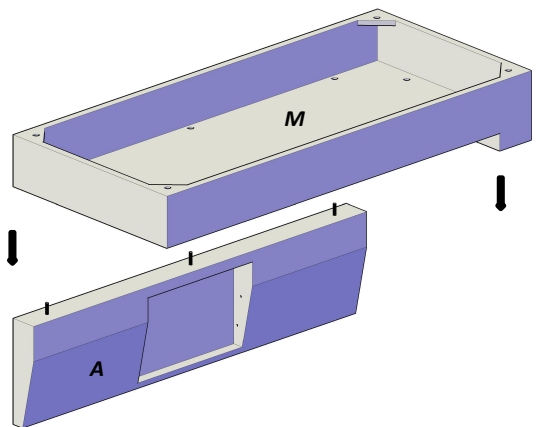


Step 2

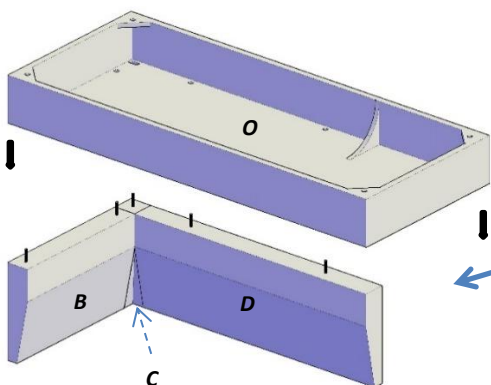
Left arm Sectional



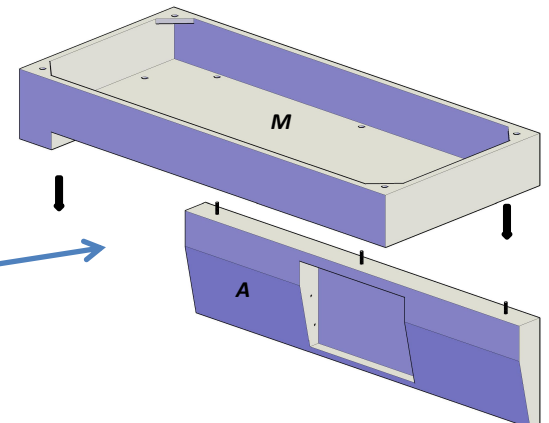
Align and insert the Bolts (Q) to the reserved holes of sofa base (M) and Chaise base (O)



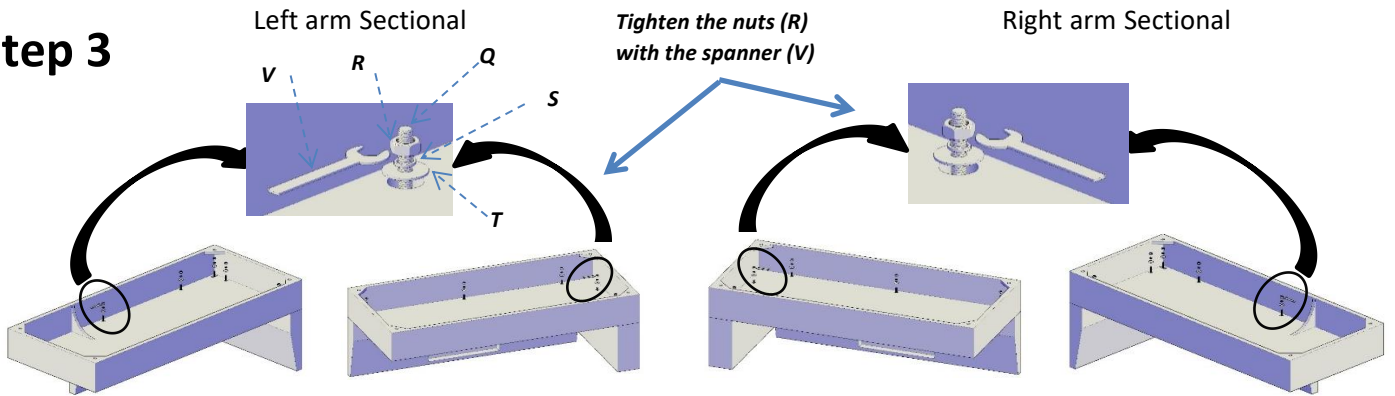
Right arm Sectional



Align and insert the Bolts (Q) to the reserved holes of sofa base (M) and Chaise base (O)

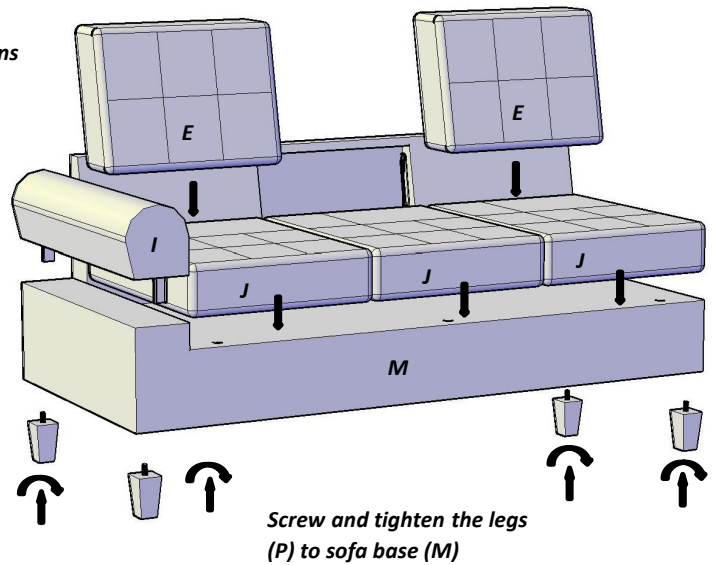
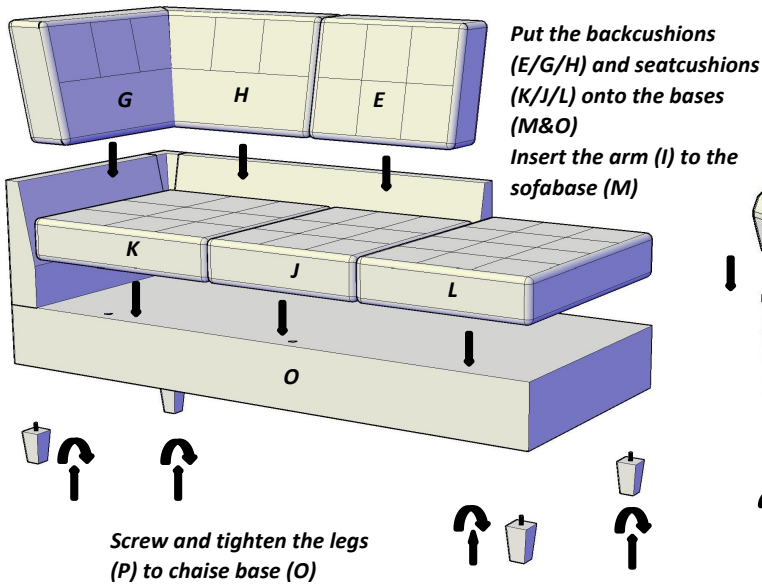


Step 3

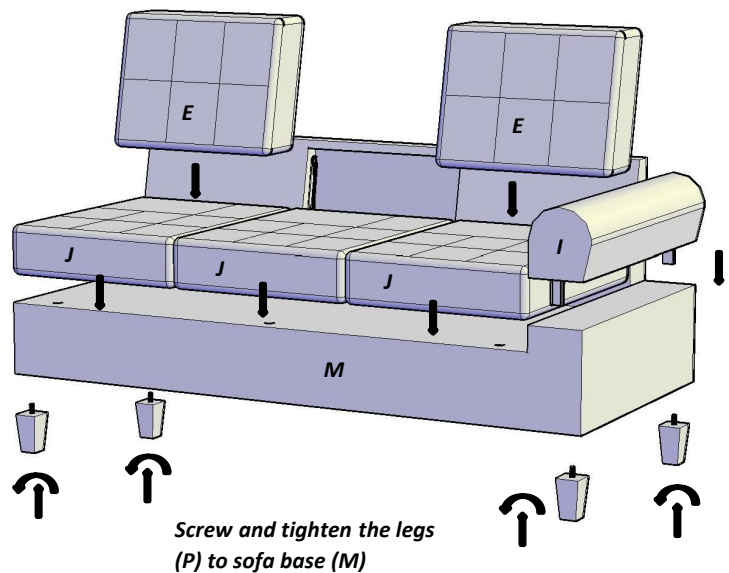
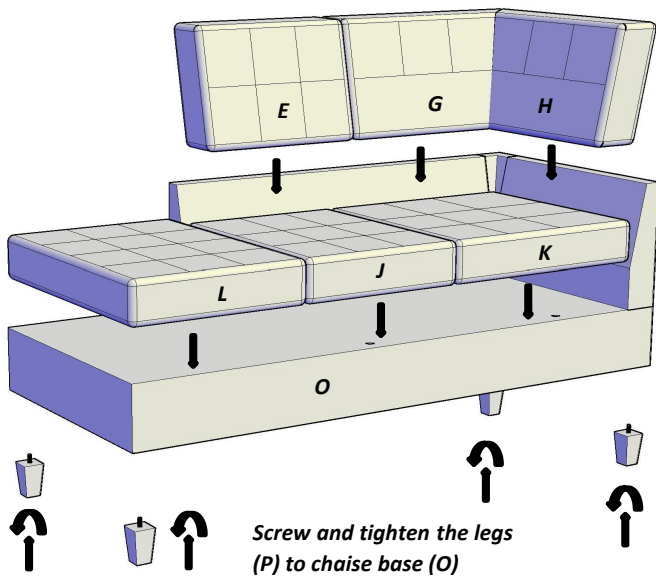


Step 4

Left arm Sectional



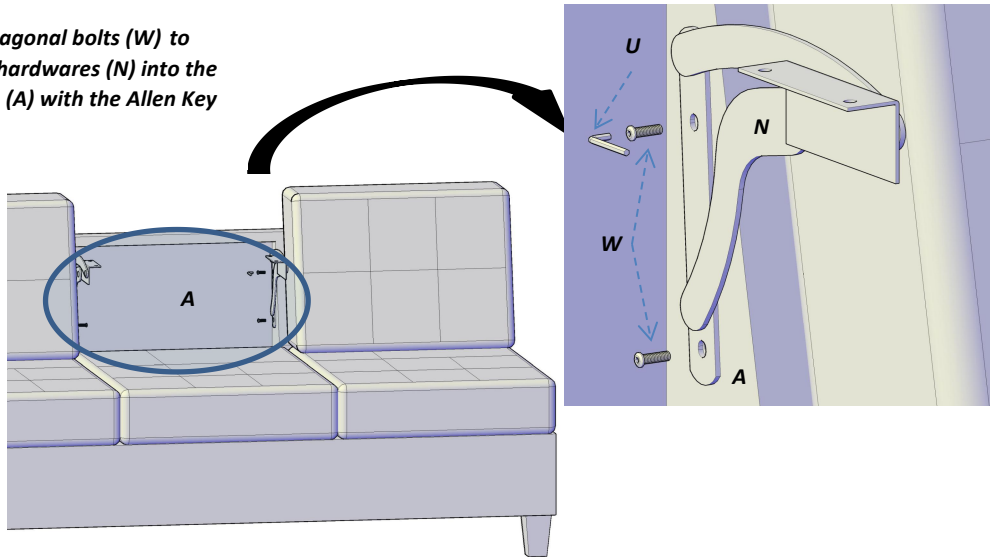
Right arm Sectional



Left or Right arm Sofa

Step 5

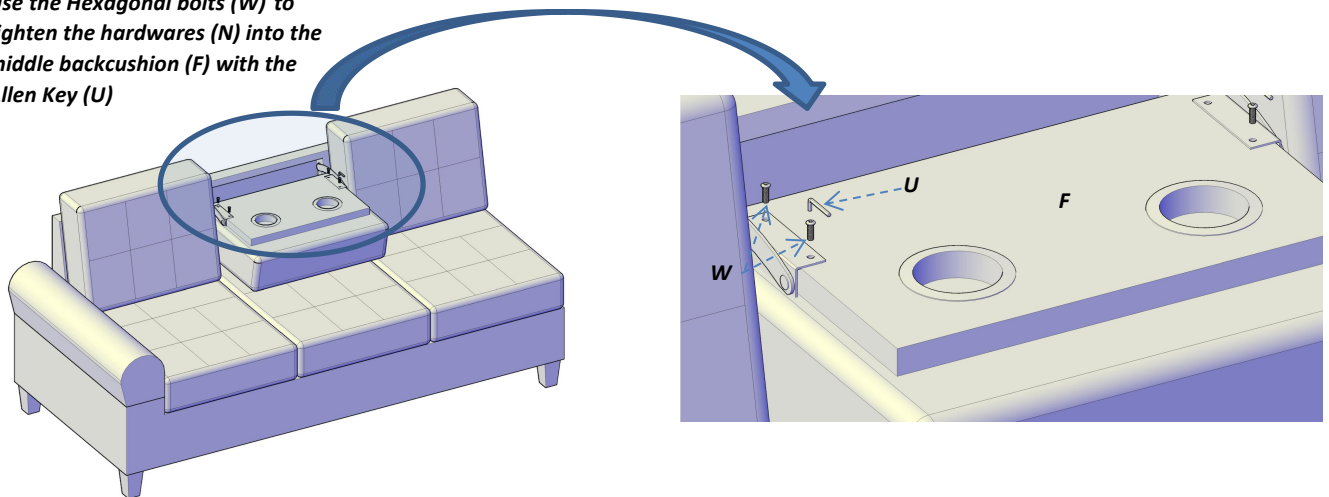
Use the Hexagonal bolts (W) to tighten the hardware (N) into the back of sofa (A) with the Allen Key (U)



Step 6

Left or Right arm Sofa

Use the Hexagonal bolts (W) to tighten the hardware (N) into the middle backcushion (F) with the Allen Key (U)



Step 7

Left arm Sectional

Right arm Sectional

