

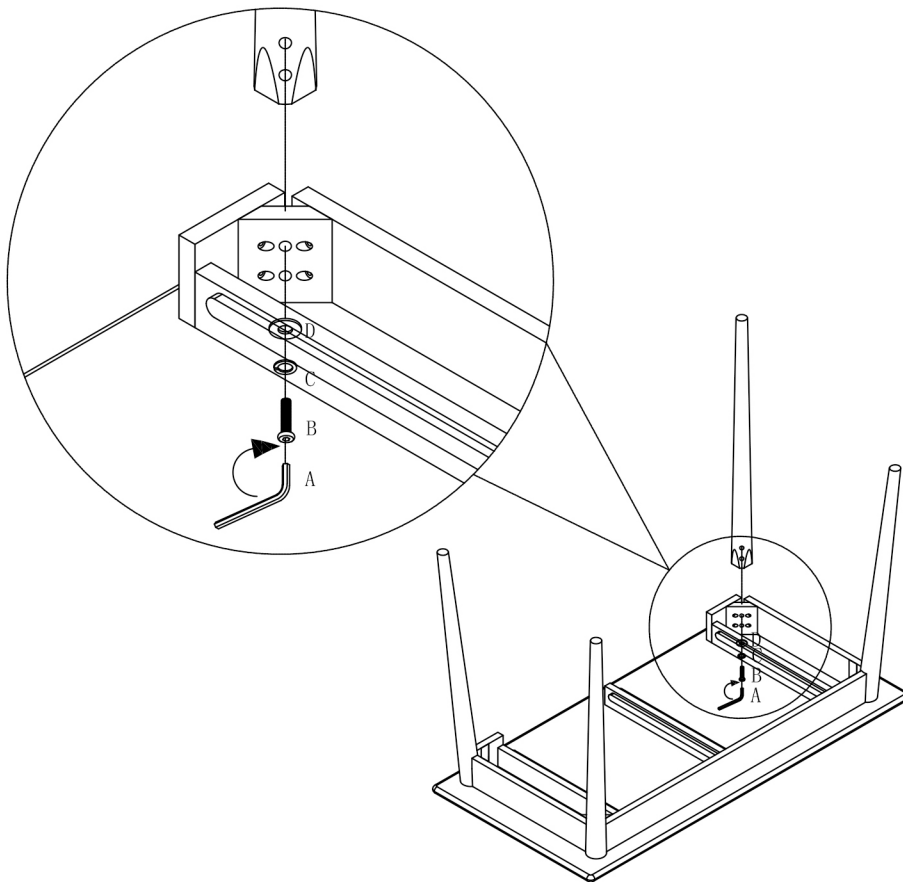
Single Drawer Desk

Y83X03

Assembly Instructions

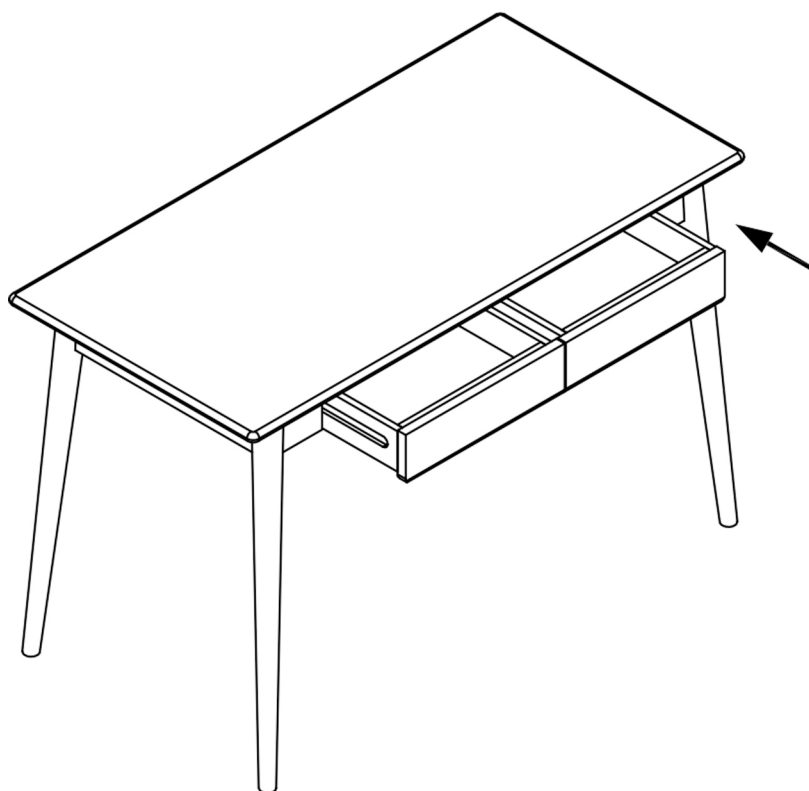
Step 1:

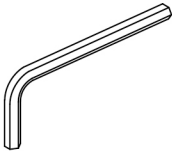
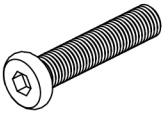

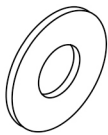
Take out the drawer first, then put the desk upside down or sideways, and assemble the four legs. Be careful not to place the hardware in the wrong order.



Step 2:

Put it in the drawer, then place the desk in the designated position



			
A. Allen key =1	B. Hexagon screw M8*55=8	C. Spring pad $\phi 8=8$	D. Flat pad $\phi 8=8$