

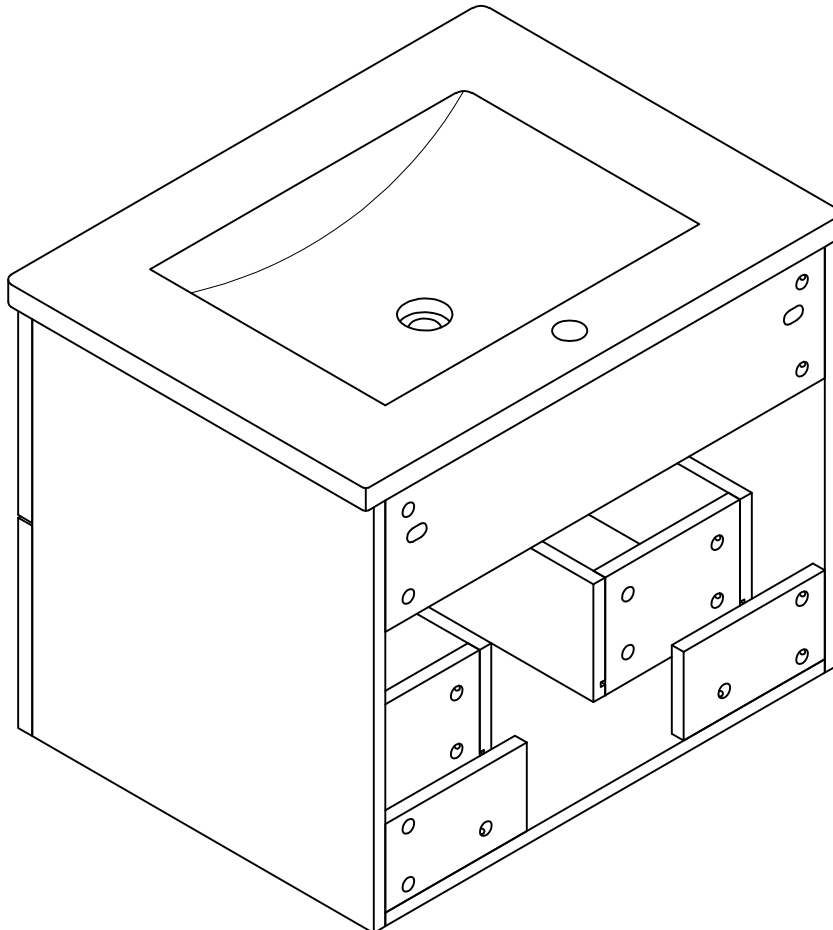
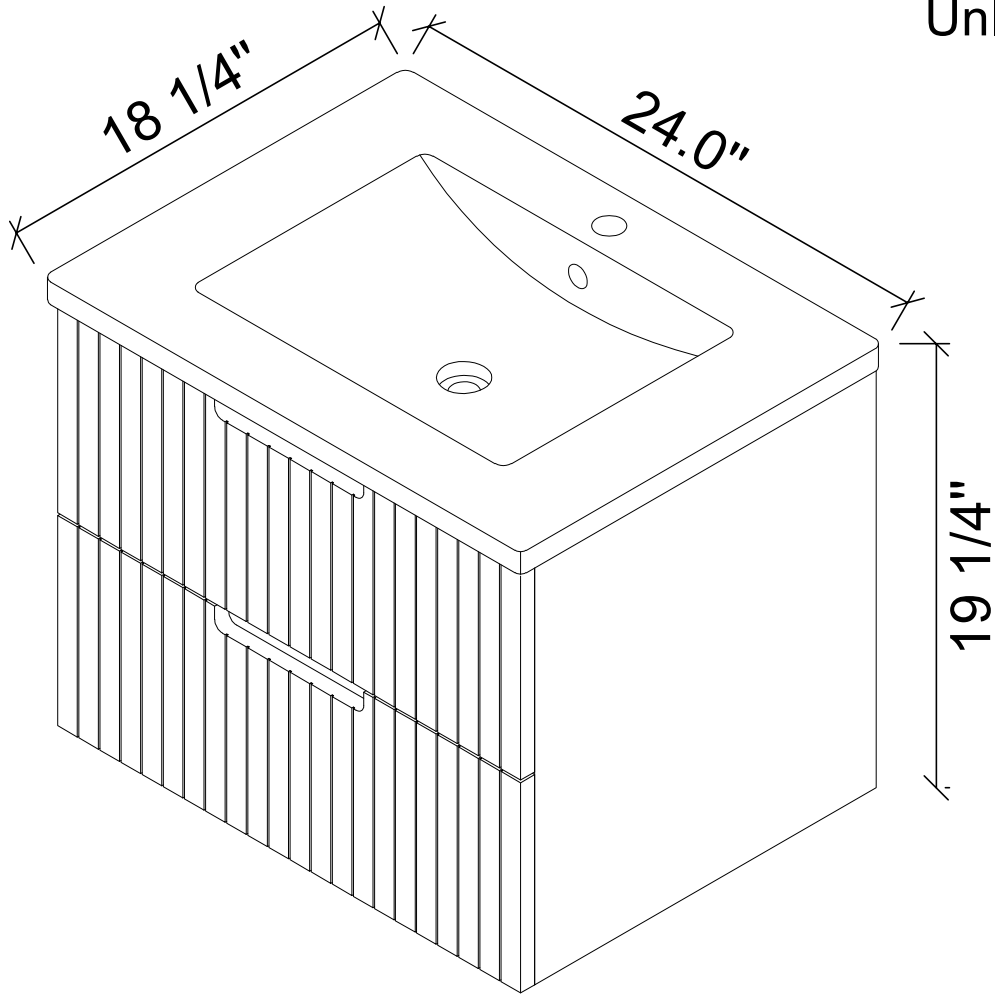
HK2301-24

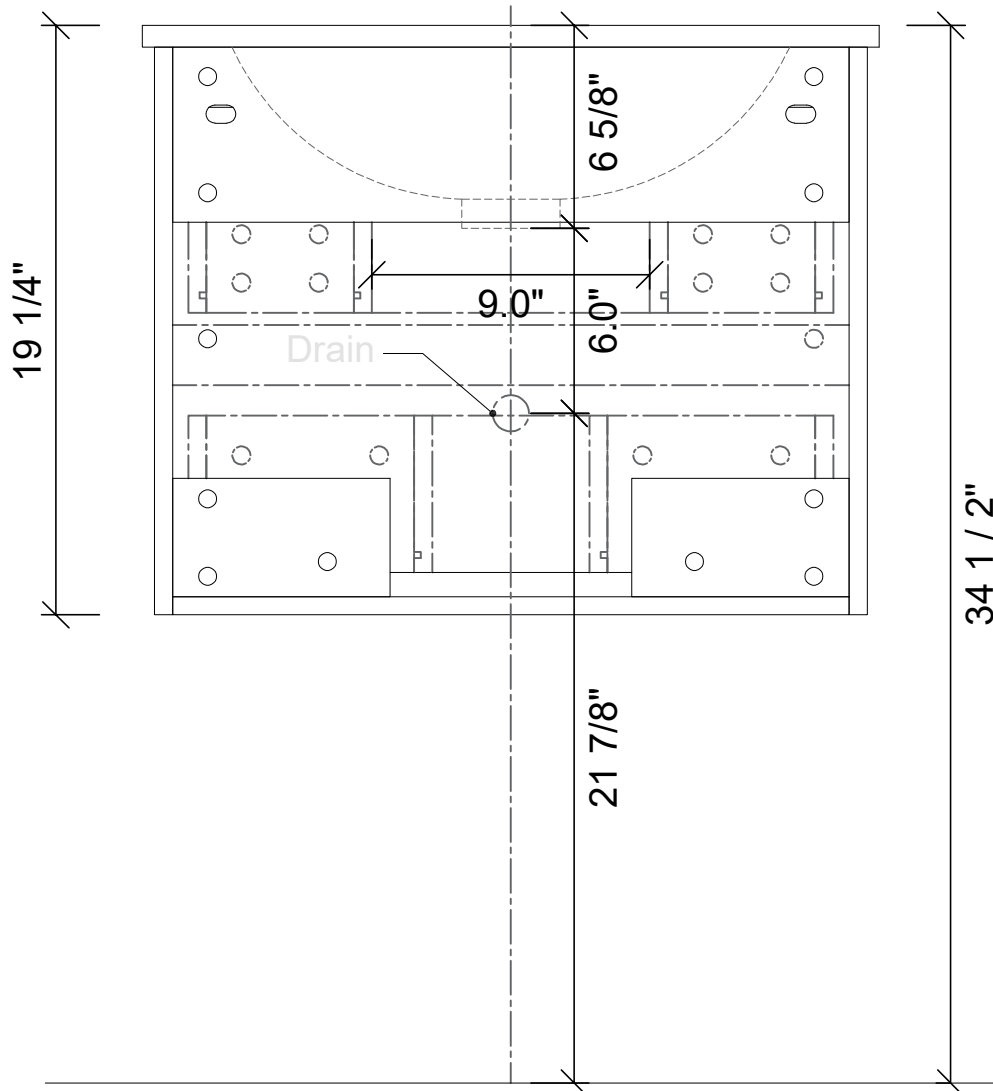
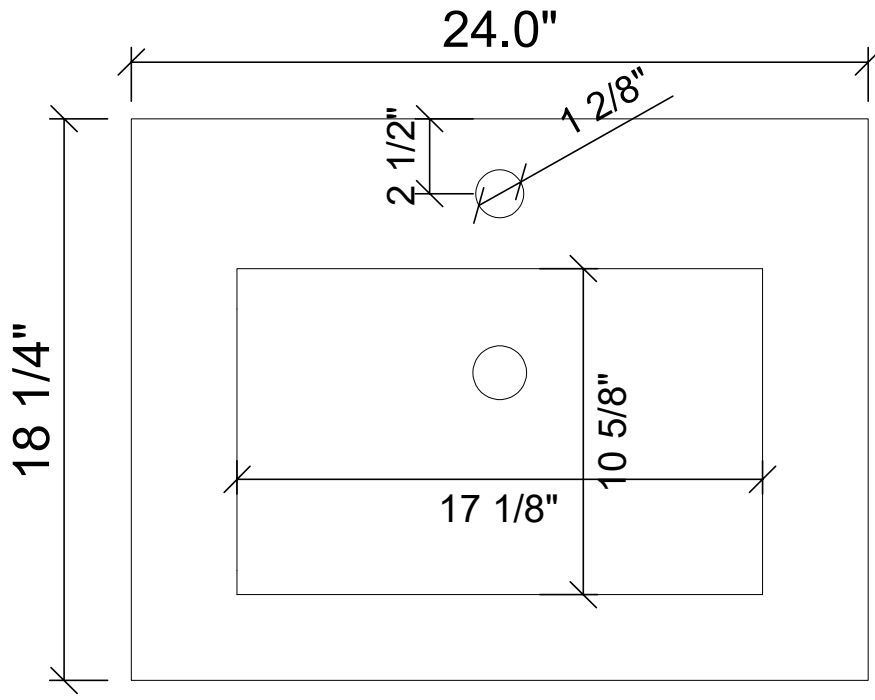
INSTALLATION INSTRUCTIONS

*The vessel and faucet set is not included

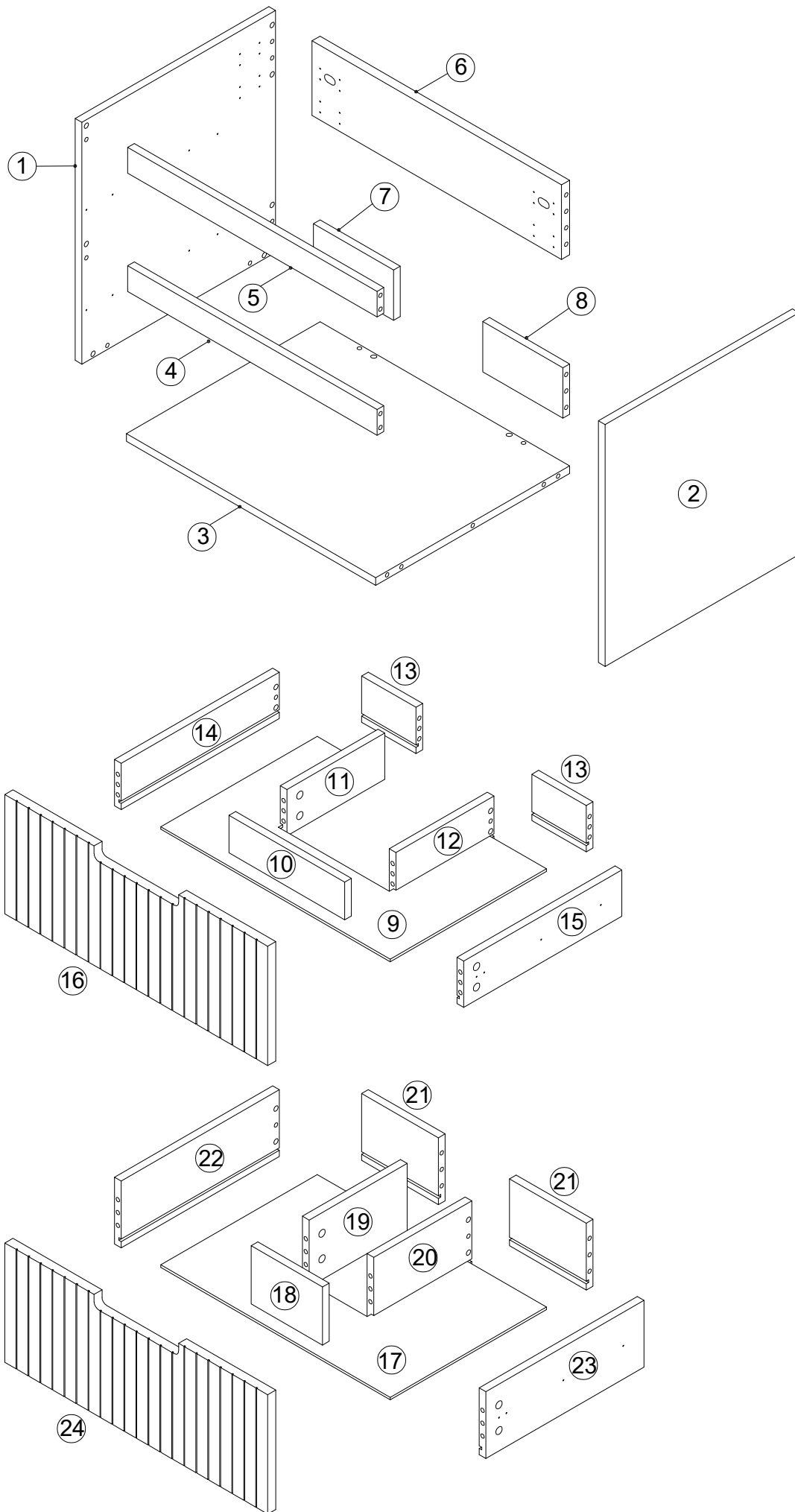
DIMENSIONS

Unit: Inch

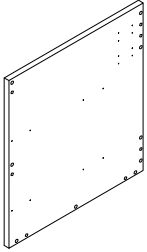
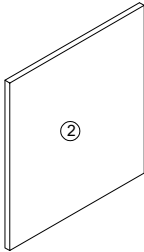
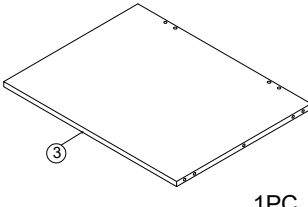
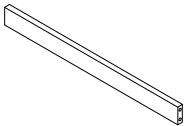
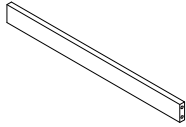
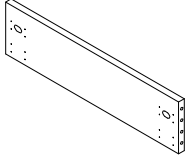
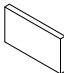
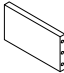
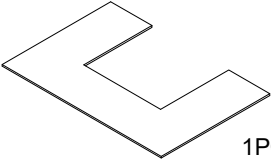
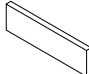
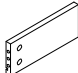
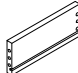
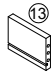
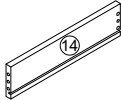
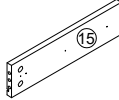
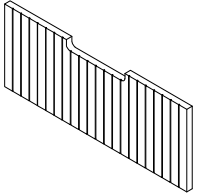
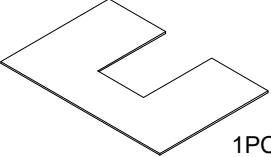
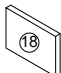
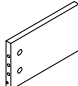
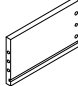
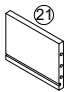
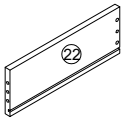
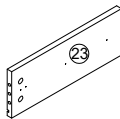
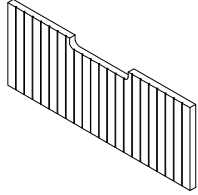




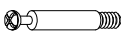

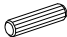

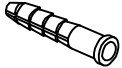


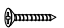

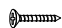
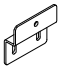
ASSEMBLY DIAGRAM



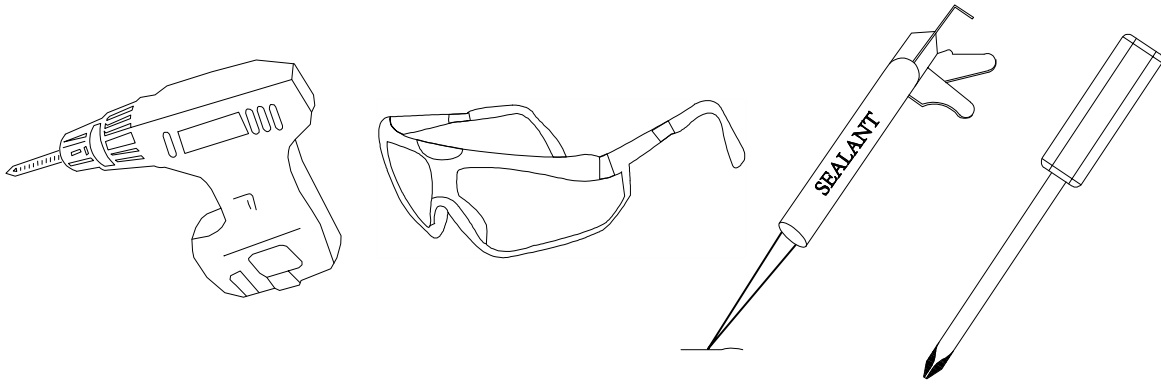
PART LIST

| | | | |
|---|--|---|--|
| 1  1PC | 2  1PC | 3  1PC | 4  1PC |
| 5  1PC | 6  1PC | 7  1PC | 8  1PC |
| 9  1PC | 10  1PC | 11  1PC | 12  1PC |
| 13  2PCS | 14  1PC | 15  1PC | 16  1PC |
| 17  1PC | 18  1PC | 19  1PC | 20  1PC |
| 21  2PCS | 22  1PC | 23  1PC | 24  1PC |

HARDWARE LIST

| | | | | |
|--|---|---|--|---|
| A  52PCS Ø6x36 | B  52PCS Ø15x12 | C  32PCS Ø8X30 | D  4PCS | E  6PCS |
| F  6PCS | G  6PCS M6x70 | H  34PCS 3.5x15 | I  4PCS | J  32PCS 3.5x12 |
| K  2PCS | | | | |

YOU MAY NEED (NOT SUPPLIED)

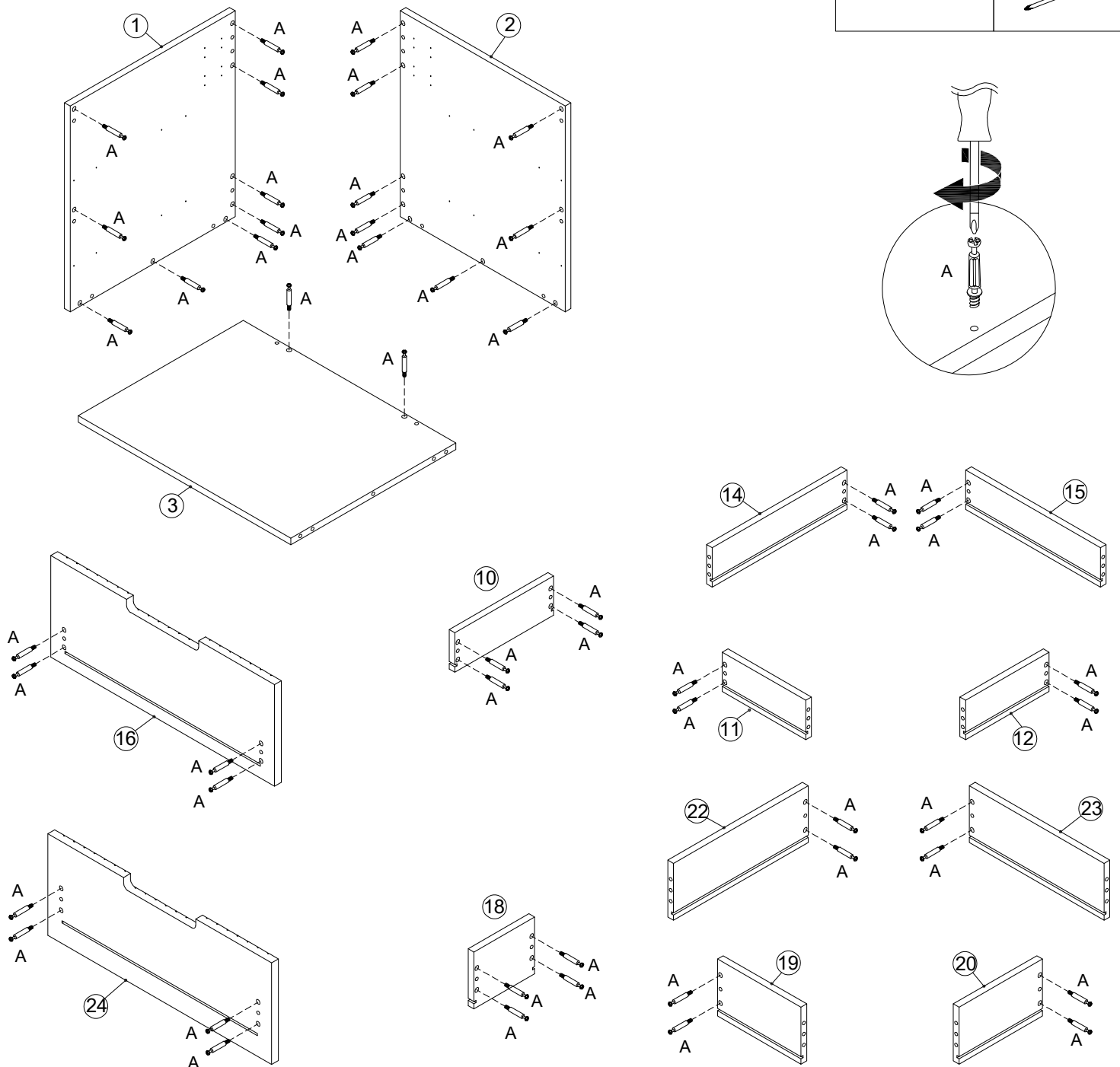
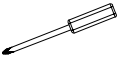


INSTALLATIONS

STEP 1

HARDWARE LIST

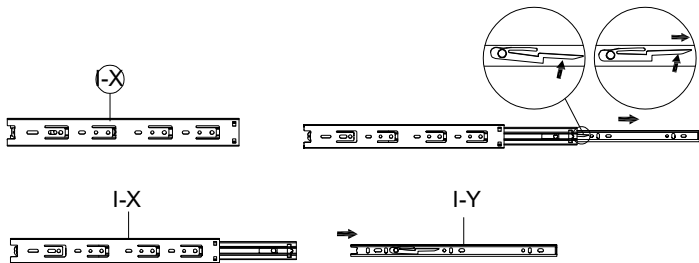
A  52PCS



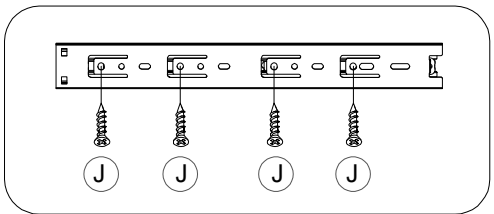
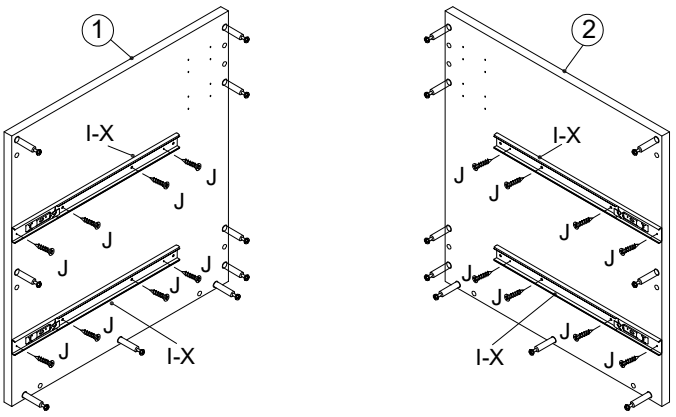
. Insert the Cam Screw Into the shelves above

STEP 2

| HARDWARE LIST | | |
|---------------|--|-------|
| I | | 4PCS |
| J | | 16PCS |

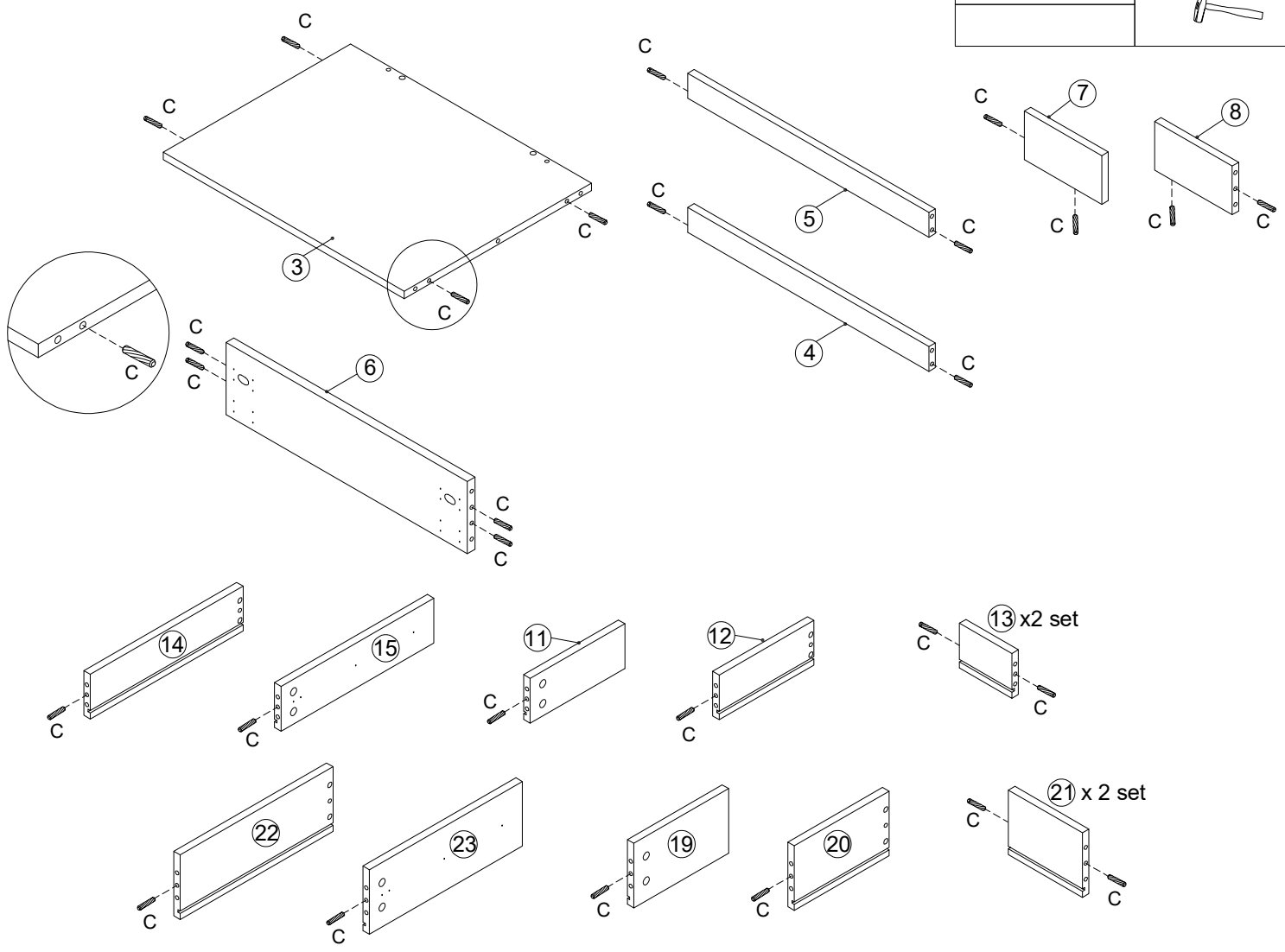


Keep pressing here, then pull out to devide the slide.



STEP 3

| HARDWARE LIST | | |
|---------------|--|-------|
| C | | 32PCS |

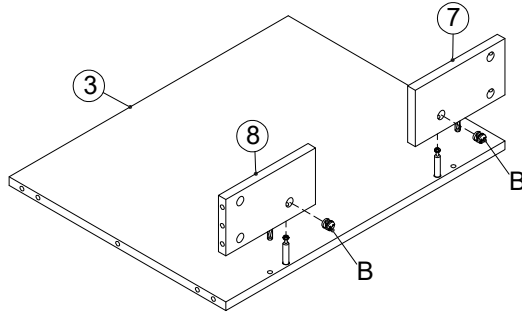
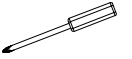


.Insert the wooden dowel plns Into the shelves

STEP 4

HARDWARE LIST

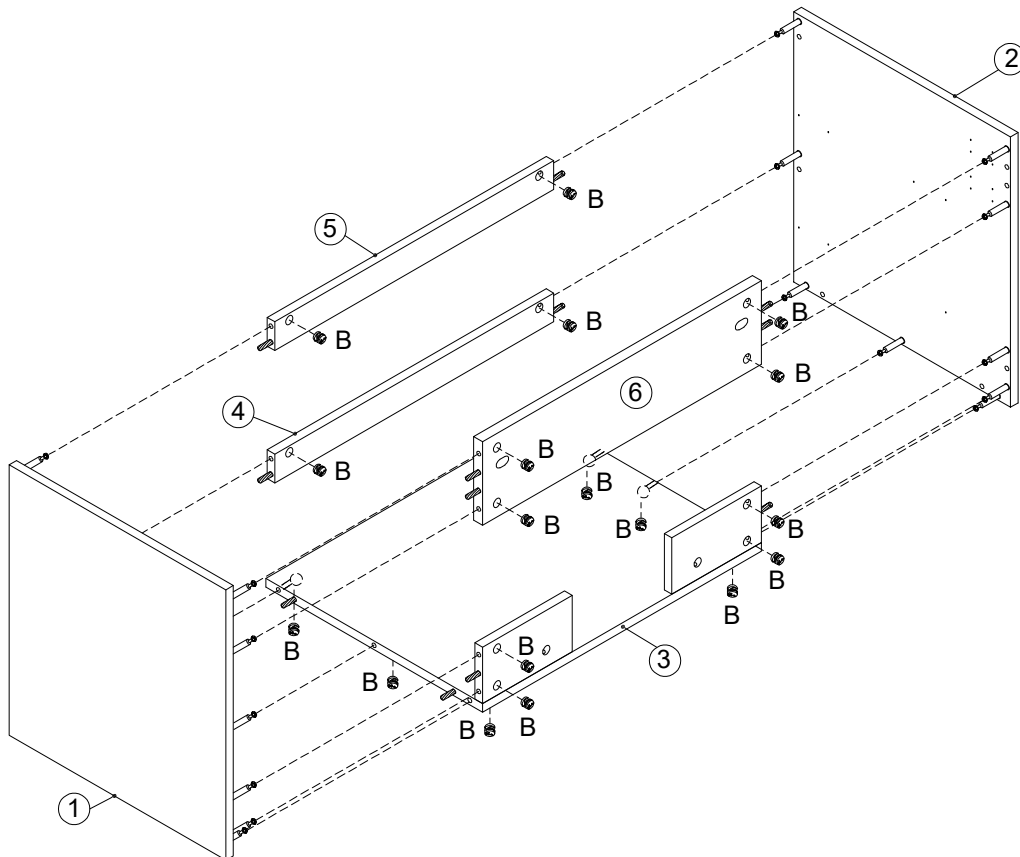
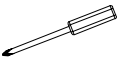
B  2PCS



STEP 5

HARDWARE LIST

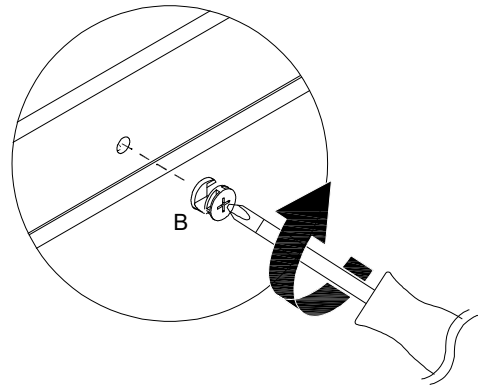
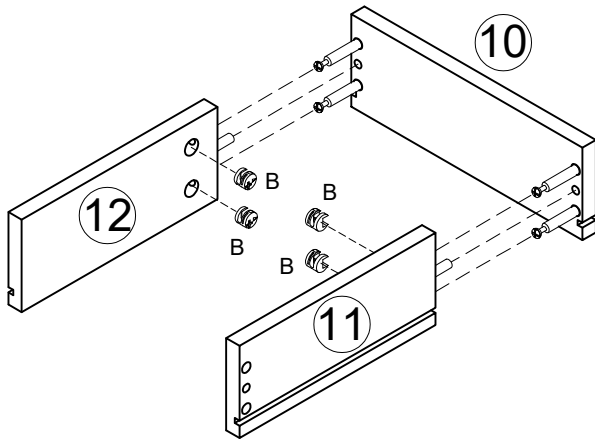
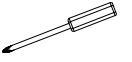
B  18PCS



STEP 6

HARDWARE LIST

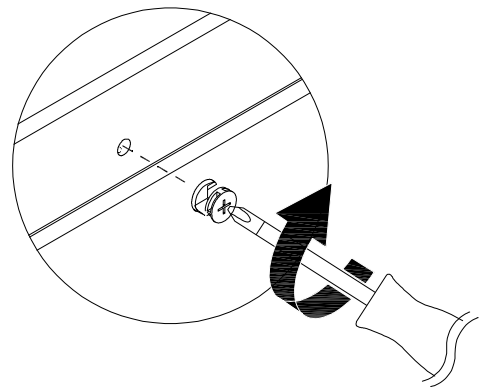
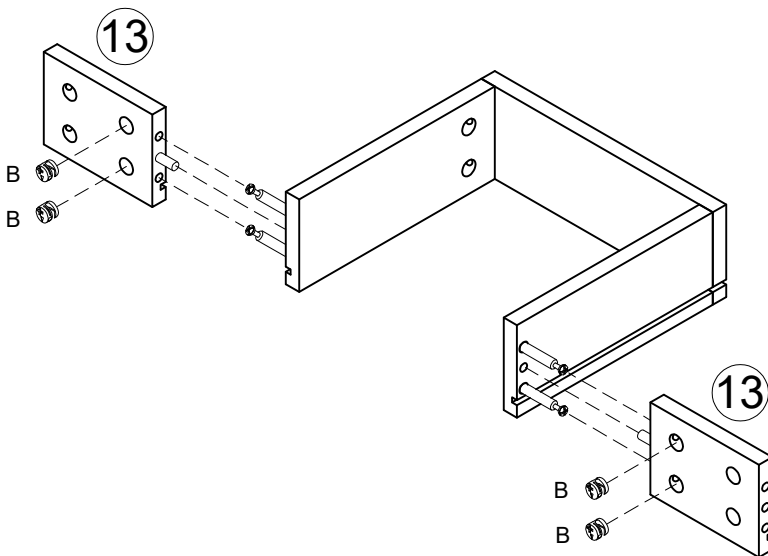
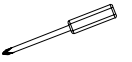
B  4PCS



STEP 7

HARDWARE LIST

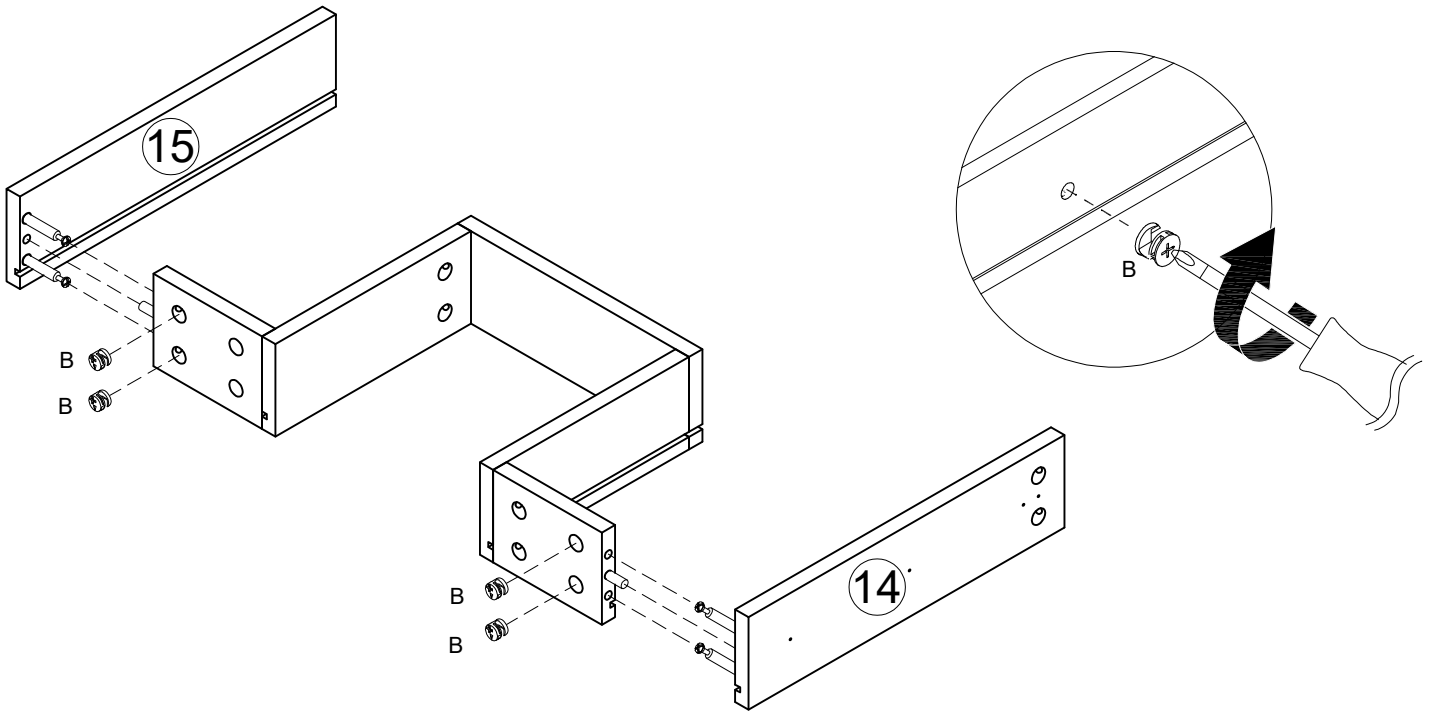
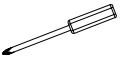
B  4PCS



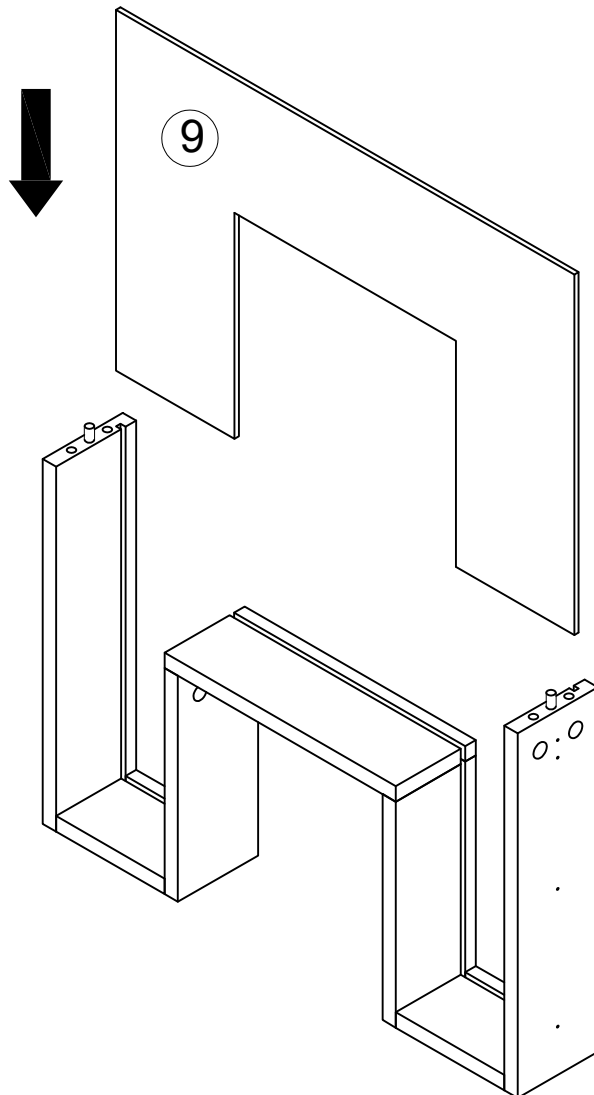
STEP 8

HARDWARE LIST

B  4PCS



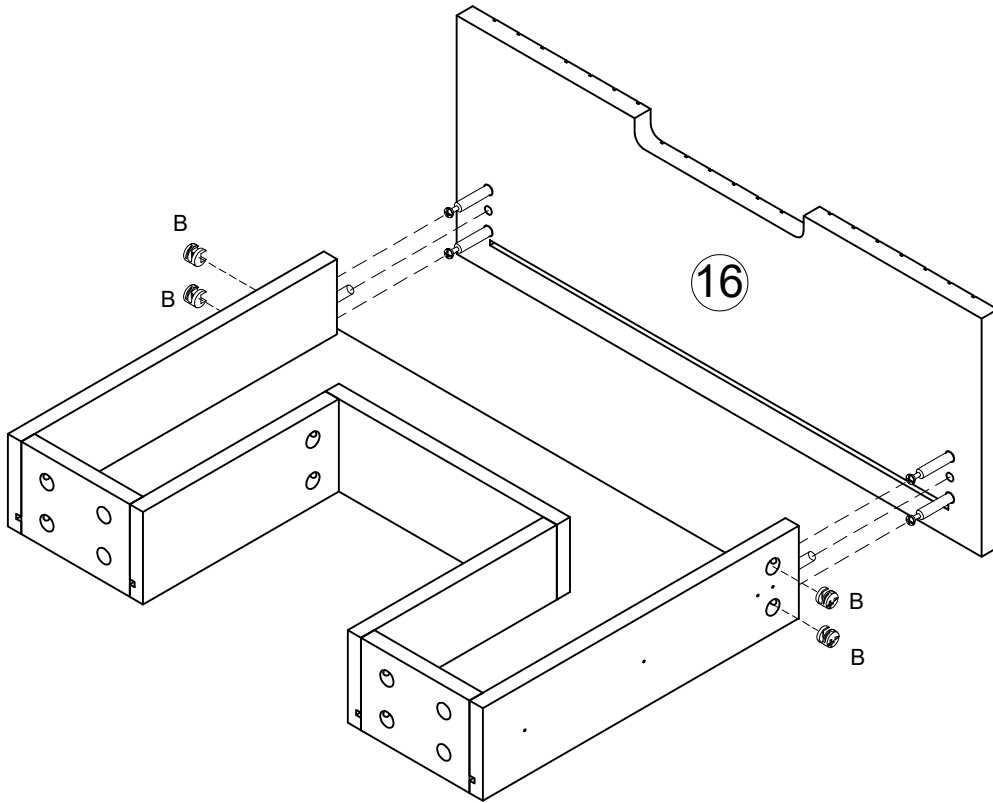
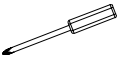
STEP 9



STEP 10

HARDWARE LIST

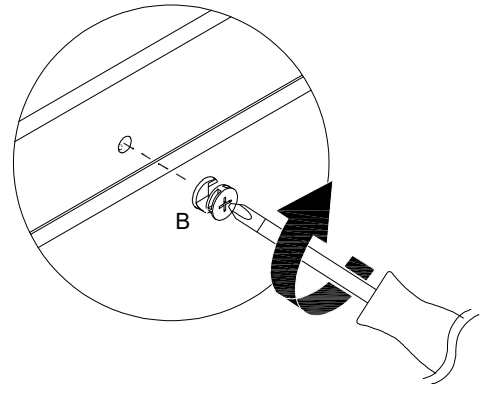
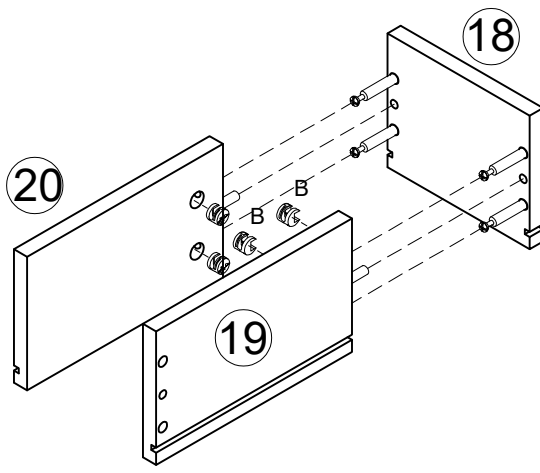
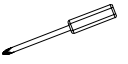
B  4PCS



STEP 11

HARDWARE LIST

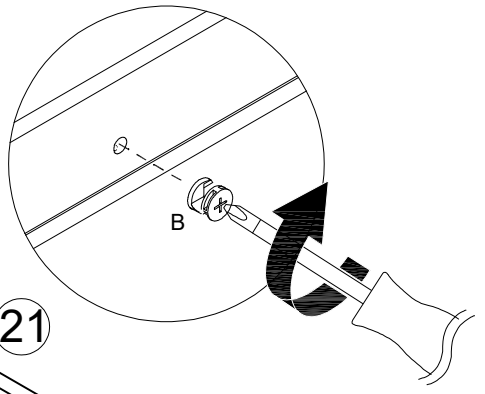
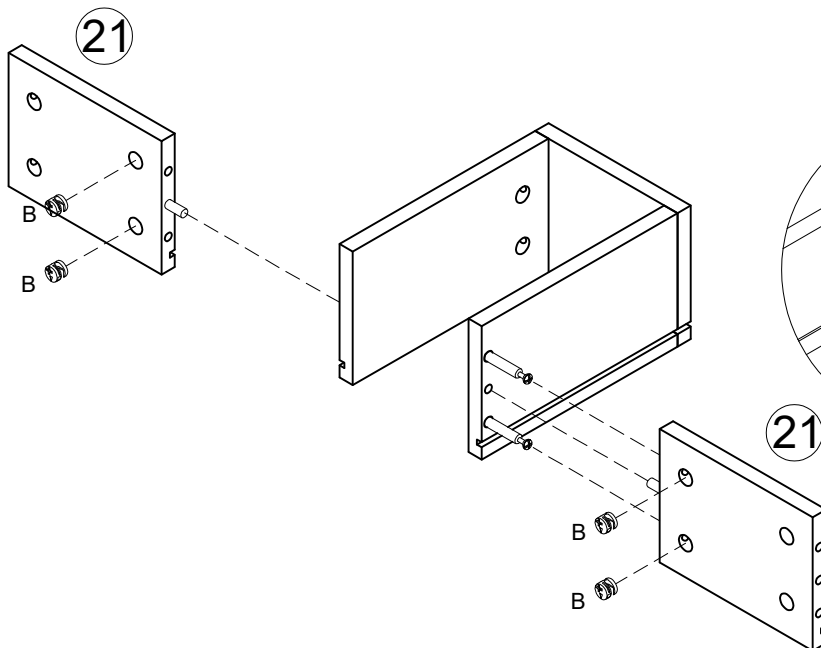
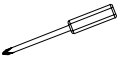
B  4PCS



STEP 12

HARDWARE LIST

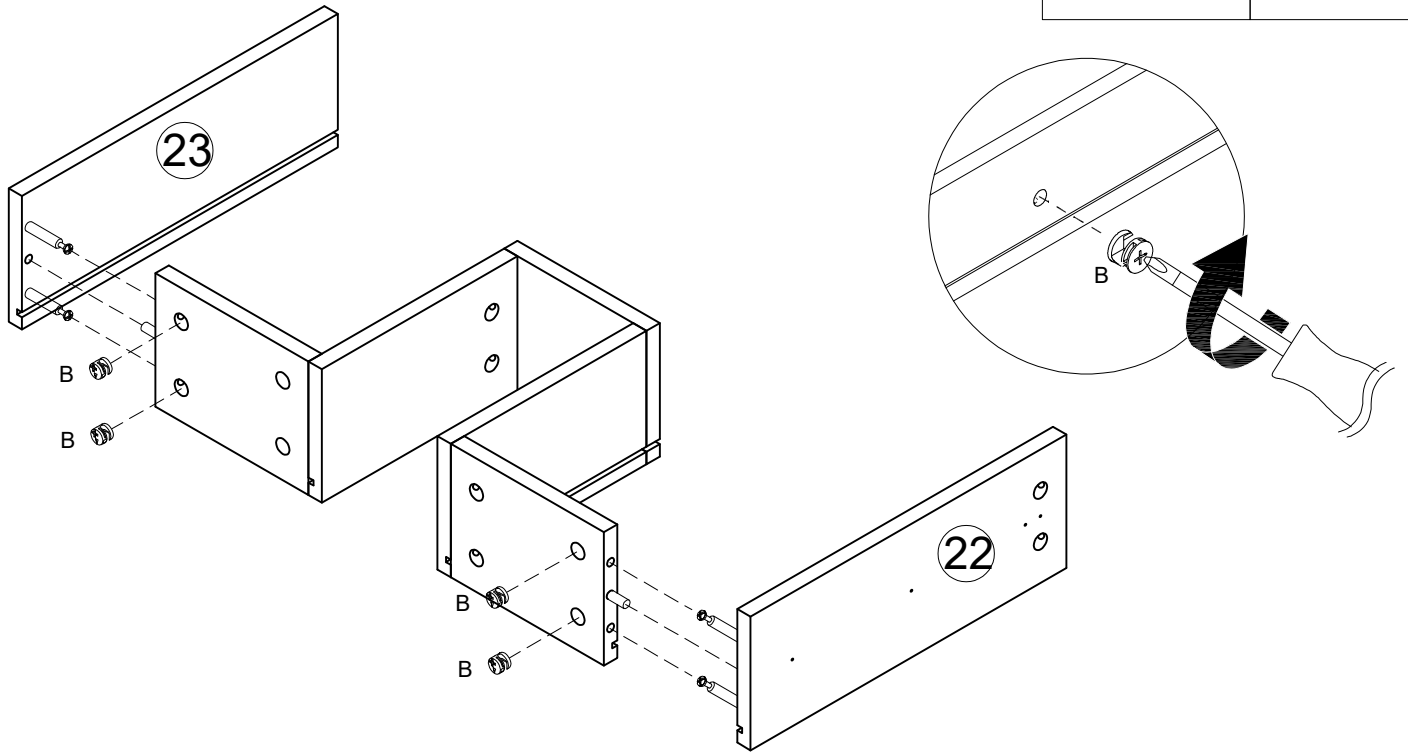
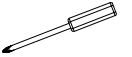
B  4PCS



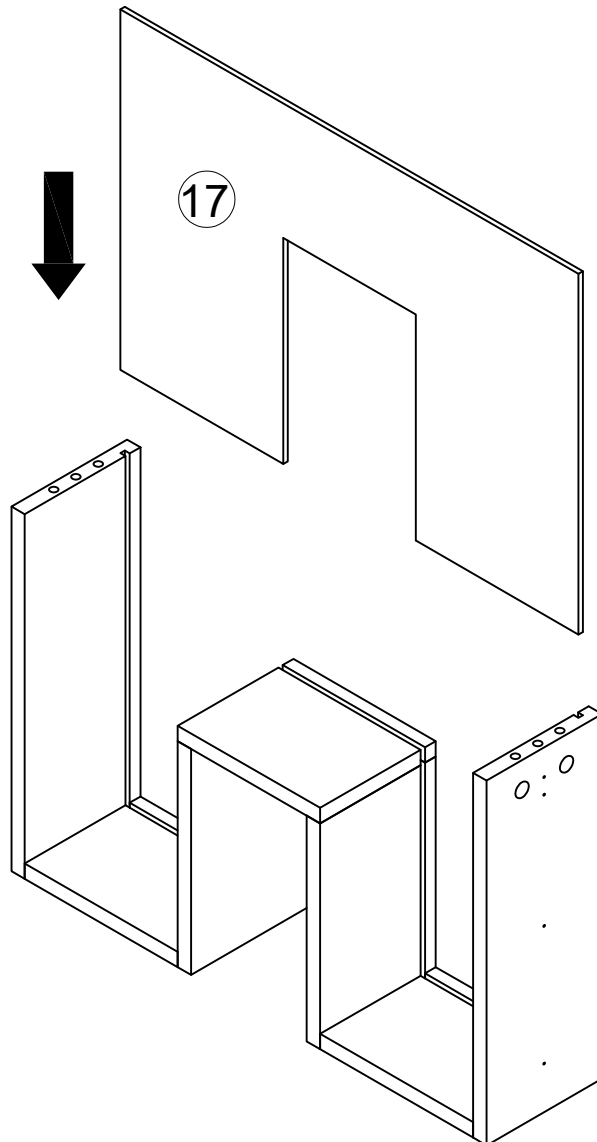
STEP 13

HARDWARE LIST

B  4PCS



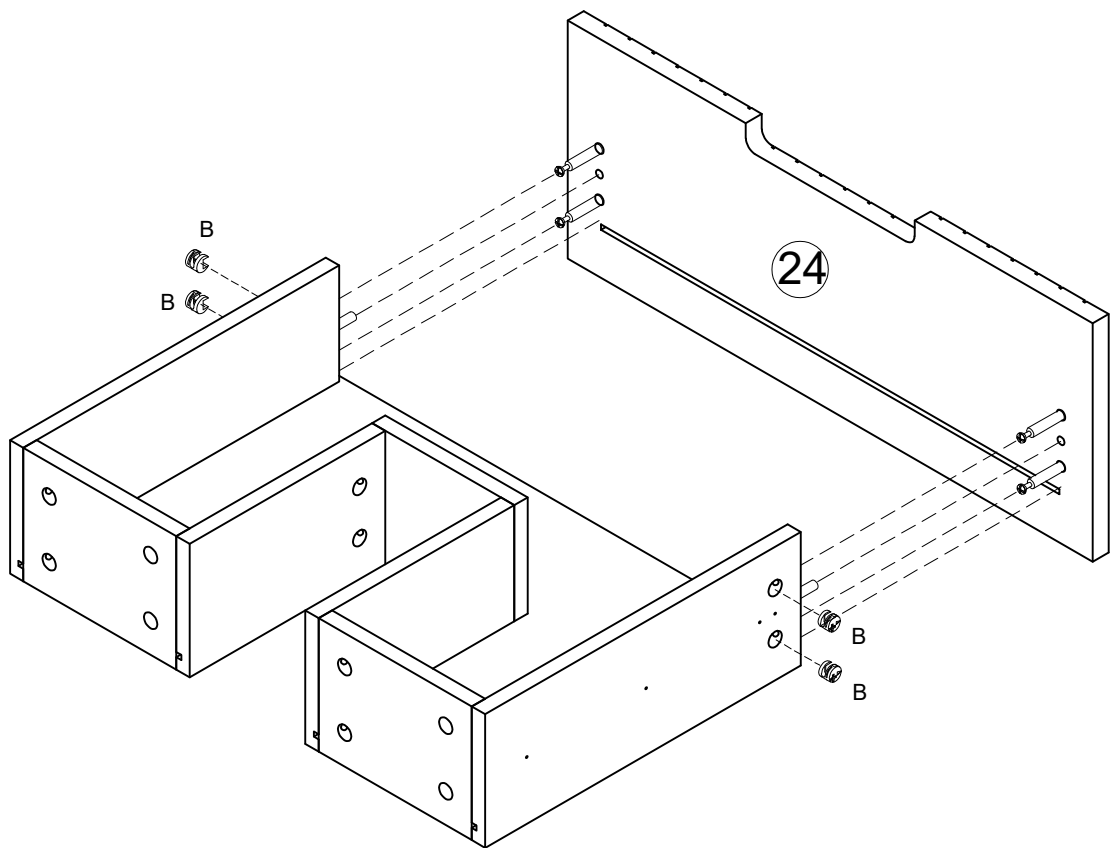
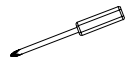
STEP 14



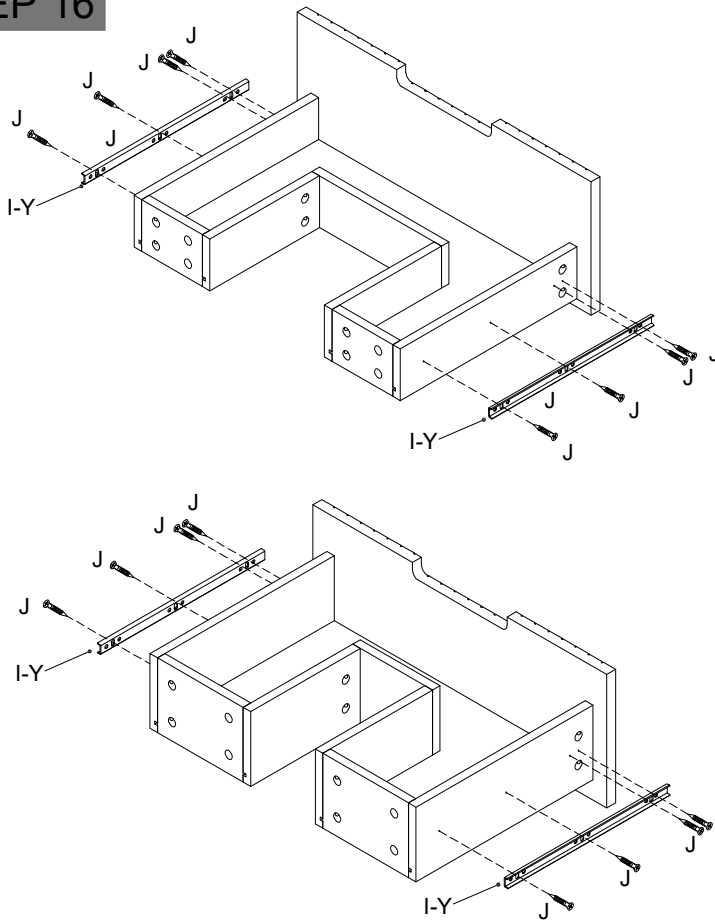
STEP 15

HARDWARE LIST

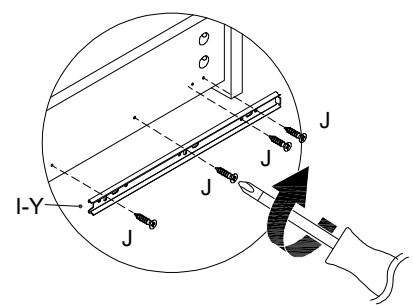
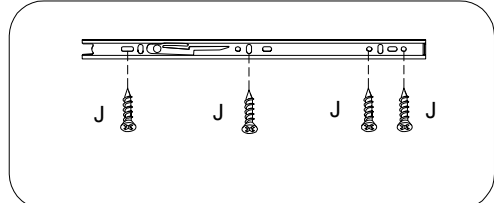
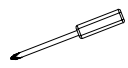
B  4PCS



STEP 16

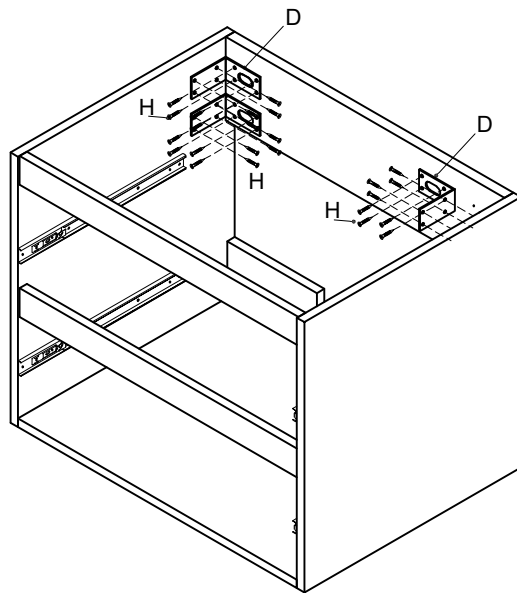


| HARDWARE LIST | | |
|---------------|---|-------|
| I | Y | 4PCS |
| J | | 16PCS |

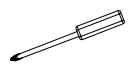


.Refer to the Illustration, Apply Scrwes to fix the Slides on the panel #10,#15.
 .Use Scrwes to Install the handle

STEP 17



| HARDWARE LIST | | |
|---------------|--|-----------------|
| D | | 4PCS 2x38x70 |
| H | | 32PCS |

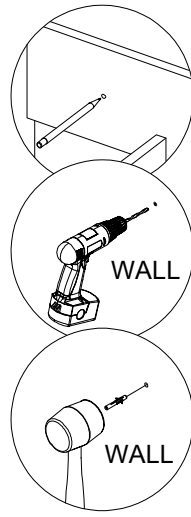
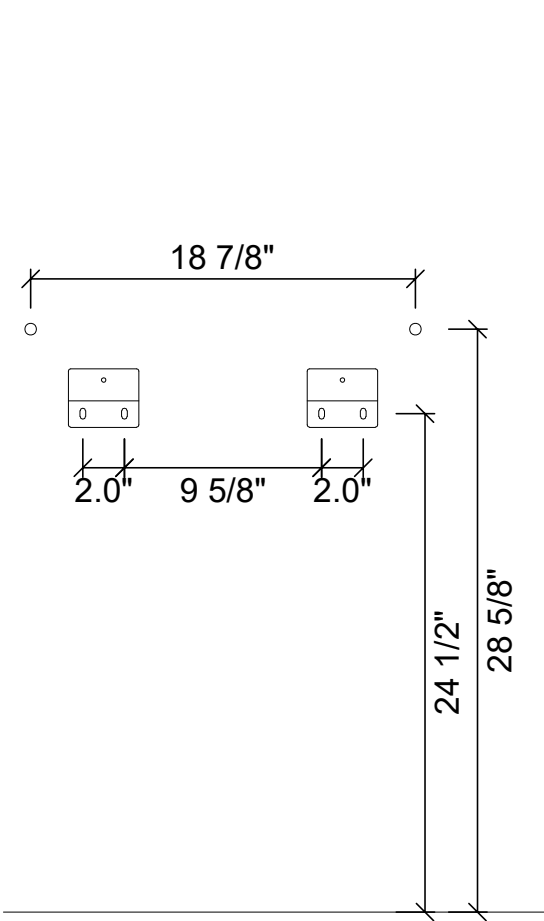


.If the drawers are not In the same level,please adJust the scrwes In the drawer box.
 .Assembled drawers are loaded onto cabinets.

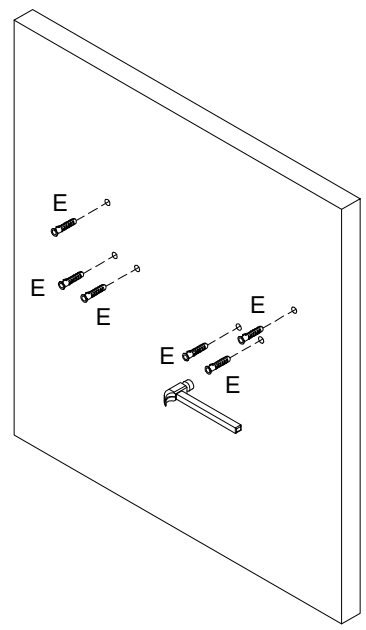
STEP 18

HARDWARE LIST

| | | | |
|---|---|------|---|
| E |  | 6PCS |  |
|---|---|------|---|

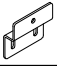
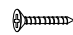






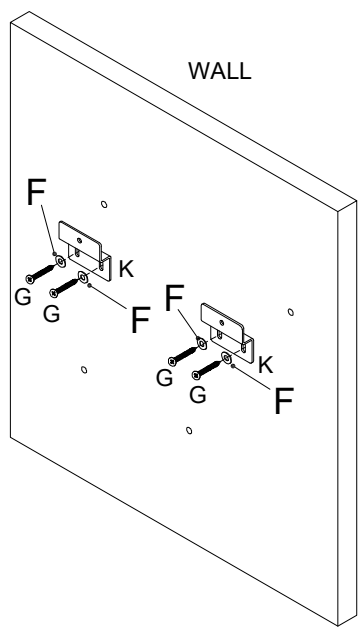
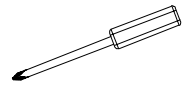
WALL



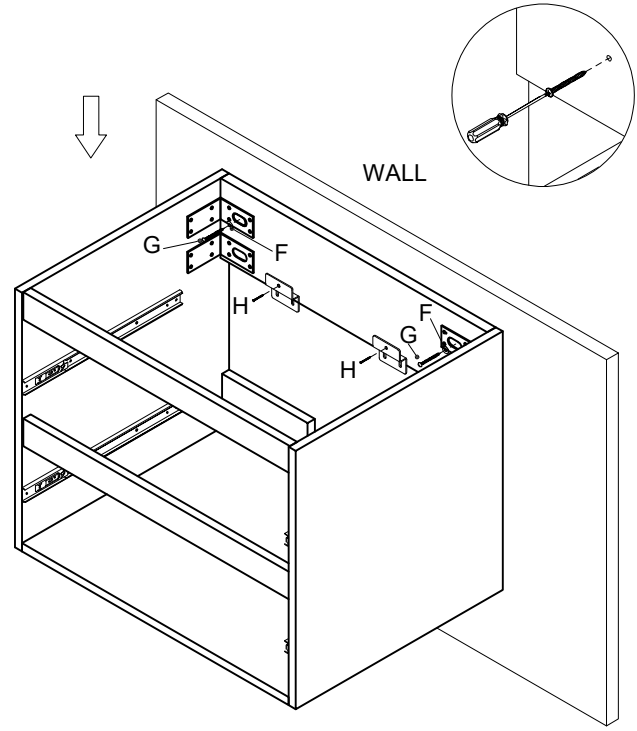
STEP 19

HARDWARE LIST

| | | | | | |
|---|---|------|---|---|------|
| K |  | 2PCS | H |  | 2PCS |
| G |  | 4PCS | G |  | 2PCS |
| F |  | 4PCS | F |  | 2PCS |

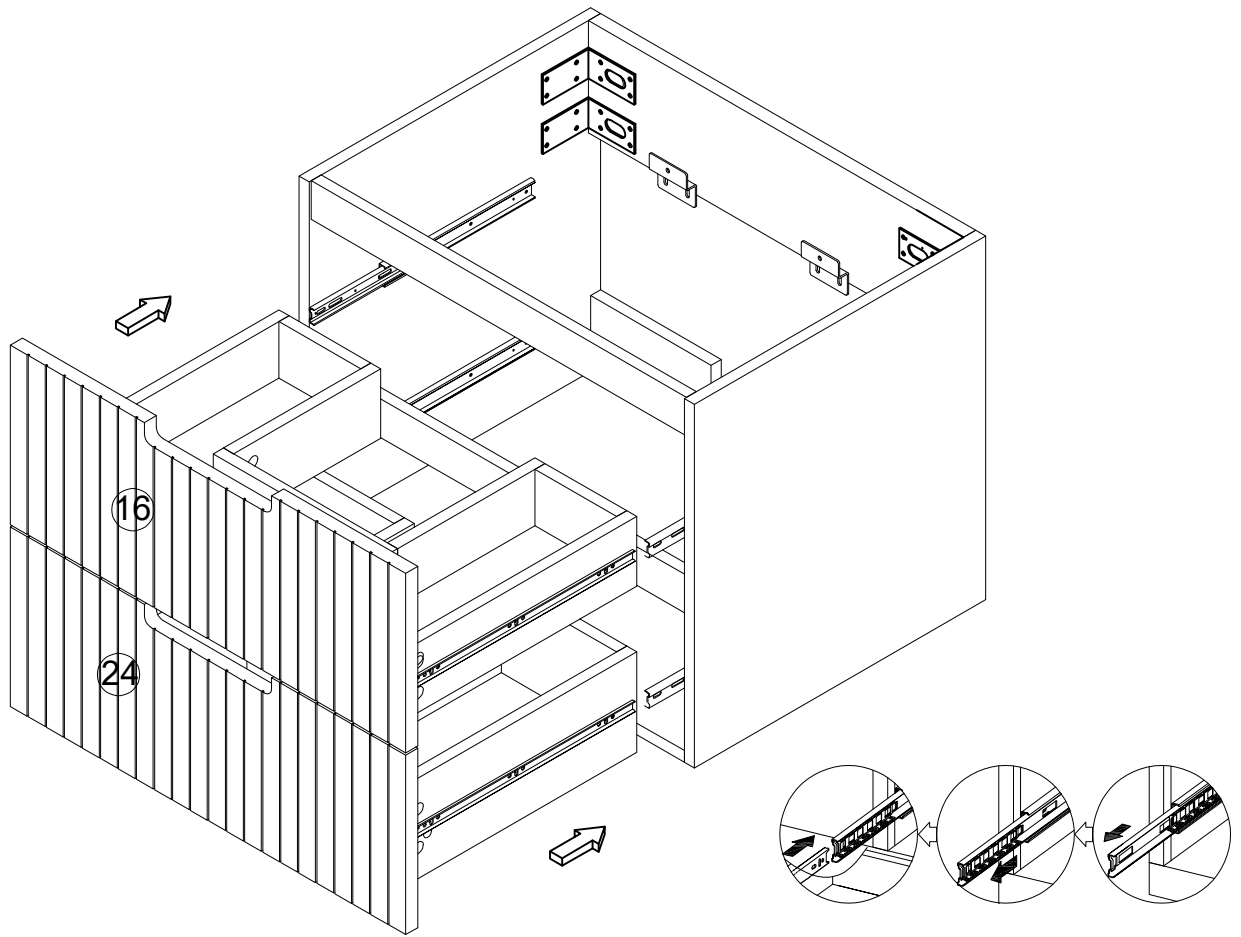


WALL

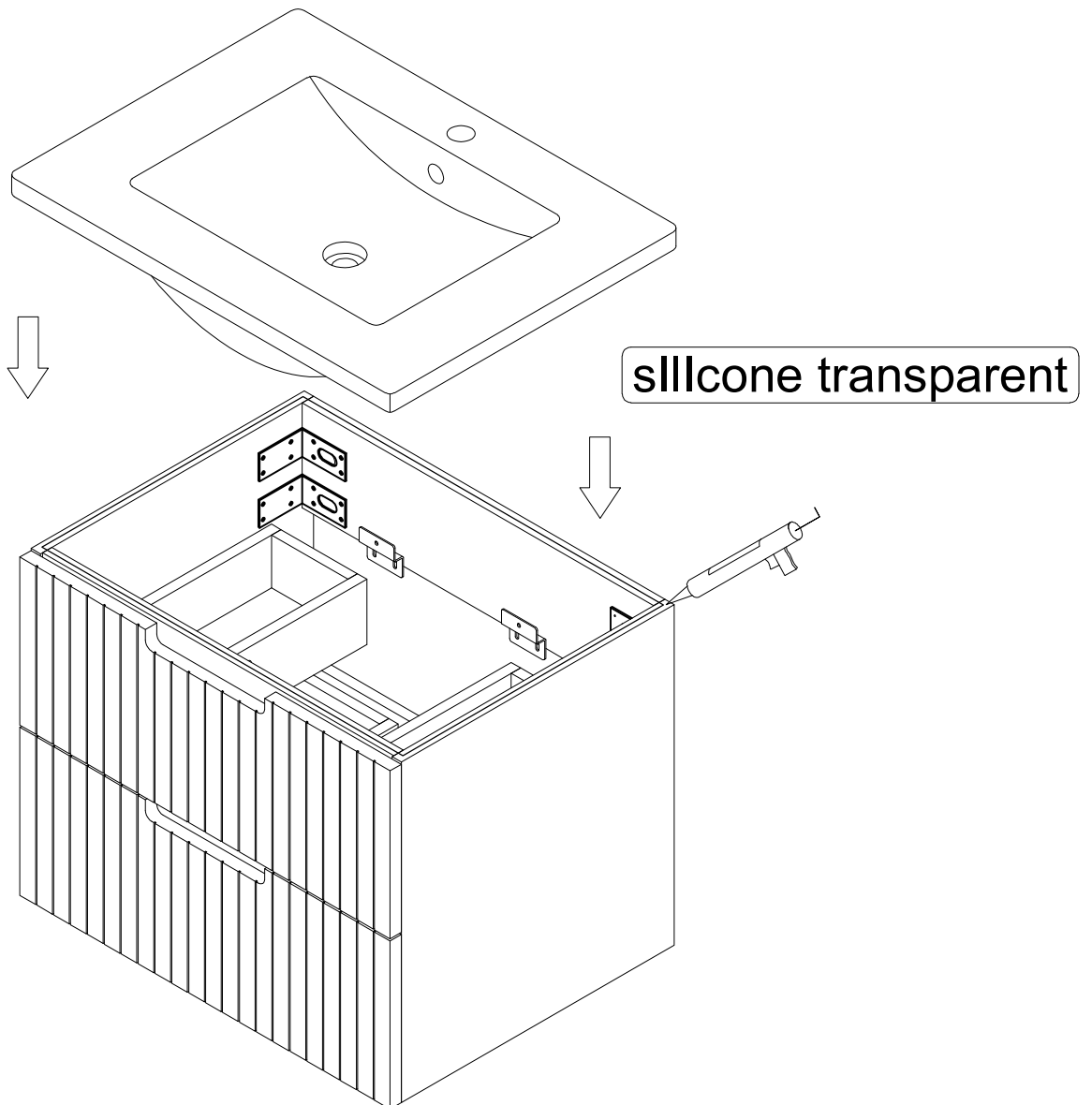


WALL

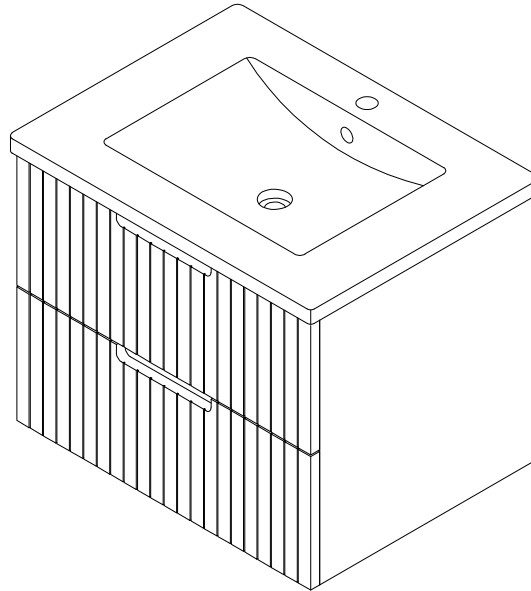
STEP 20



STEP 21



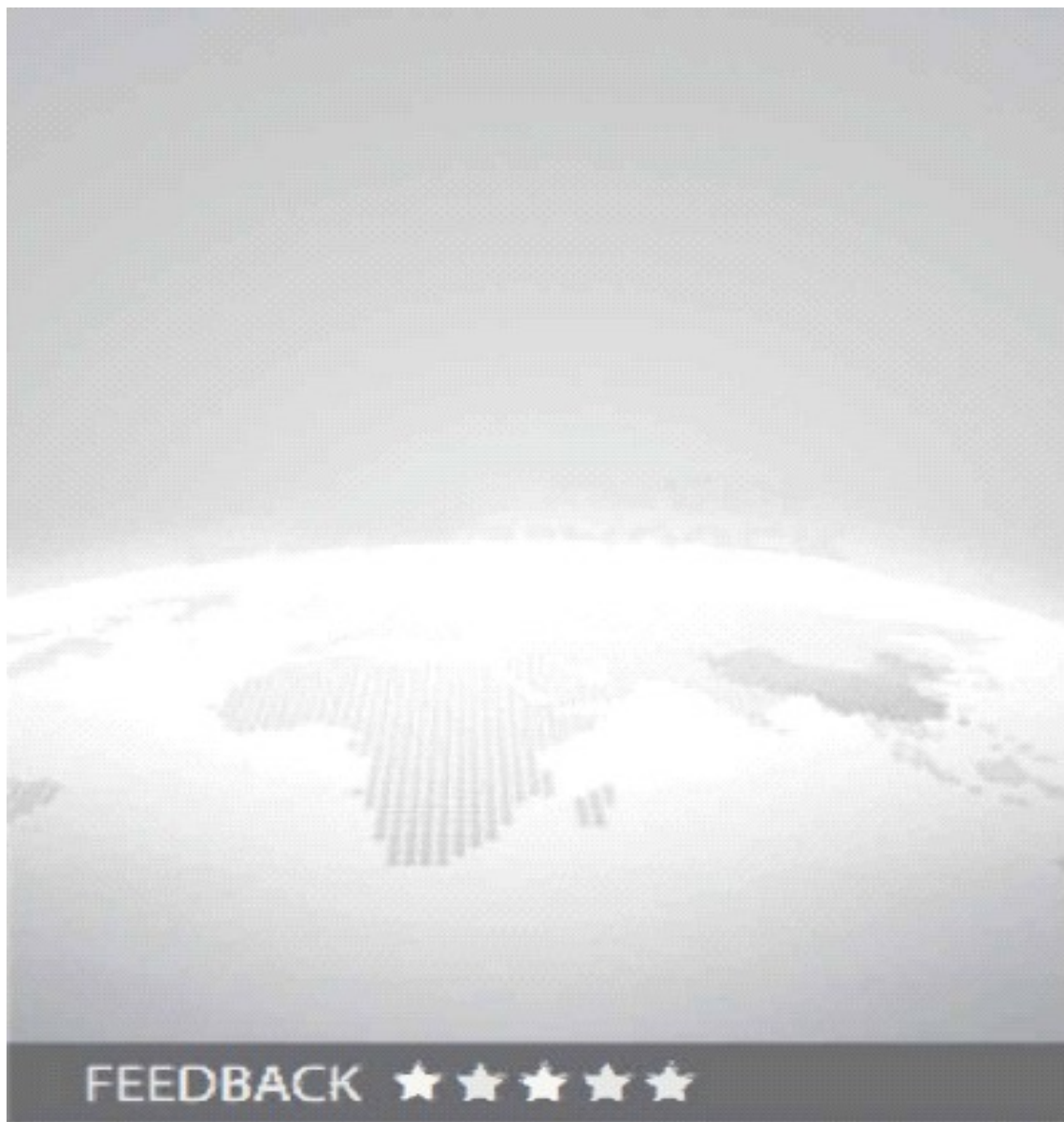
STEP 22



.To help prevent mildew, apply sealant to the space between the wall and the edge of the cabinet.

CARE AND CLEANING

1. Many cleansers contain abrasive and chemical substance which is not suitable for cleaning stainless steel, enamel, plating or plastic products. You may use mild cleansers or soaps to clean the surfaces. Wipe any splashes of cleaner solutions from the surface with a clean soft cloth.
2. Maintain ventilation in the bathroom and separate the dry area from the damp one if conditions permit. Try to open the door and windows of the bathroom to maintain adequate ventilation.
3. This cabinet is built to withstand normal bathroom humidity. For best results, keep this vanity dry and take necessary steps to minimize bathroom humidity by opening windows and doors and using the exhaust fan (if available).
4. To maintain the cabinet door, clean and wipe the door regularly with a soft cloth. Wipe condensation with a dry, soft cloth. Keep away from heat and high temperatures.
5. Please do not sit, lean or step on the basin cabinet.



Thank you very much for purchasing from us.

We have always been trying to provide the best service and reliable products for every customer.

We sincerely hope you will be satisfied with our products and leave us FIVE STARS and POSITIVE feedback/ review in our page.

However, accident may happen sometimes, please contact us to resolve any issue before leaving a negative feedback.

May thanks and welcome to our shop again!