

Infrared Portable Heater
MODEL: RE5000FS



Thermablaster®

BY *Reecon*



⚠ CAUTION - FOR YOUR SAFETY

⚠ **WARNING**



CARBON MONOXIDE HAZARD

This appliance can produce carbon monoxide which has no odor.

Using it in an enclosed space can kill you.

Never use this appliance in an enclosed space such as a camper, tent or home.

GENERAL HAZARD WARNING:

FAILURE TO COMPLY WITH THE PRECAUTIONS AND INSTRUCTIONS PROVIDED WITH THIS HEATER CAN RESULT IN DEATH, SERIOUS BODILY INJURY AND PROPERTY LOSS OR DAMAGE FROM HAZARDS OF FIRE, EXPLOSION, BURN, ASPHYXIATION, CARBON MONOXIDE POISONING, AND / OR ELECTRICAL SHOCK. ONLY PERSONS WHO CAN UNDERSTAND AND FOLLOW THE INSTRUCTIONS SHOULD USE OR SERVICE THIS HEATER.

WARNING: FIRE, BURN, INHALATION, AND EXPLOSION HAZARD. KEEP SOLID COMBUSTIBLES, SUCH AS BUILDING MATERIALS, PAPER, OR CARDBOARD A SAFE DISTANCE AWAY FROM THE HEATER AS RECOMMENDED BY THE INSTRUCTIONS. NEVER USE THE HEATER IN SPACES WHICH DO OR MAY CONTAIN VOLATILE OR AIRBORNE COMBUSTIBLES, OR PRODUCTS SUCH AS GASOLINE, SOLVENTS, PAINT THINNER, DUST PARTICLES OR UNKNOWN CHEMICALS.

The heater is designed and approved for use as a construction heater in accordance with Standard ANSI Z83.7 • CSA 2.14. CHECK WITH YOUR LOCAL FIRE SAFETY AUTHORITY IF YOU HAVE QUESTIONS ABOUT APPLICATIONS. Other standards govern the use of fuel gases and heat producing products in specific applications. Your local authority can advise you about these.

The installer should leave the instructions with the consumer
The consumer should retain the instructions for future reference



REECON NORTH AMERICA
2515 LIBERTY AVE.
1ST FLOOR
PITTSBURGH, PA 15222
WWW.THERMABLASTER.COM

INFRARED

TABLE OF CONTENTS

About Us.....	1	Care and Maintenance.....	11
Product Specifications.....	1	Troubleshooting.....	12
Important Safety Information.....	2	Illustrated Parts.....	15
Product Features.....	6	Parts List.....	16
Preparing for Installation.....	6	Service Schedule, Registration and Contact Information.....	17
Installation.....	7		
Unit Operation.....	10		

ABOUT US

We at Reecon strive to produce the highest quality Thermablaster heaters to warm our customers. We feel that a heater should look as good as it operates and work without a fuss. That is why we have developed our patent pending dual fuel heating system, which allows the use of either liquid propane or natural gas for some of our most popular products, without requiring any adjustments. Our product lines consist of vent free gas wall heaters, a direct vent gas wall heater line, kerosene and propane forced air heaters, electric industrial heaters, fireplace sets, as well as outdoor heating products. Through our innovative product design and customer first mentality, we strive to provide the best heaters for all needs, at a price that won't break the bank.

PRODUCT SPECIFICATIONS

Model	REF5000FS
BTU/hr.	15,000 BTU/hr. (4.4 Kw)
Gas Type	Propane
Pressure Regulator Setting	11" W.C
Maximum Supply Pressure	11" W.C
Minimum Supply Pressure	11" W.C.
Ignition	Electric Piezo
Heat Setting	Manual/Variable

IMPORTANT SAFETY INFORMATION

 **WARNING: FOR INDOOR USE ONLY**

 **DANGER:**

If you smell gas

- Shut OFF gas to the appliance
- Extinguish any open flame
- If odor continues, keep away from the appliance and immediately call your gas supplier or fire department

 **DANGER:**
CARBON MONOXIDE HAZARD

- This appliance can produce carbon monoxide which has no odor
- Using it in an enclosed space can kill you
- Never use this appliance in an enclosed space such as a camper, tent or home



 **WARNING:**

- Do not store or use gasoline or other flammable vapors and liquids in the vicinity of this or any other appliance.
- A propane cylinder not connected for use shall not be stored in the vicinity of this or any other appliance.

 **WARNING:**

- Improper installation, adjustment, alteration, service or maintenance can cause property damage, injury or death. Read the installation, operation and maintenance instruction thoroughly before installing or servicing this equipment.

 **WARNING: NOT FOR SALE FOR RECREATIONAL VEHICLE USE.**

The intended use of the heater is for the temporary heating of buildings or structures under construction, alteration or repair. You MUST ensure adequate ventilation is available prior to using this heater.

 **WARNING:**

- This appliance must only be used indoors.
- Using this product in an enclosed area may cause injury, death or property damage.
- Read the instructions before use.
- This appliance must be installed in accordance with local codes and regulations.
- Do not use the heater in an explosive atmosphere.
- Keep the heater away from areas where gasoline or other flammable liquids or vapors are stored.
- Prior to use, check for damaged parts such as hoses, regulators, pilot and burners.

- The installation of fixed appliances shall only be carried out only by competent persons and be in accordance with the relevant Codes of Practice.

 **WARNING:**

This appliance requires a gas hose and regulator. User **MUST** use hose and regulator provided with heater or a replacement hose that is the same as the one provided with the heater. Regularly check the gas hose and if necessary, replace the gas hose

DISCONNECT LP tank before moving the heater.

- Do not attempt to alter unit in any manner.
(**FOR EXAMPLE:** using the heater without the protective grill or heater stand could cause injury)
- Do not shorten the burner post assembly.
- The appliance shall not be used in basements or below ground level.
- Heater must always be placed on a solid and level surface.
- Never store items underneath the heater. These items could be subjected to radiant heat and seriously damaged.
- Always assure there is ample fresh air ventilation

FOR INDOOR USE ONLY

- Never replace or substitute the regulator with any regulator other than the factory suggested replacement.
- The heater be installed such that it is not directly exposed to water spray, rain and/or dripping water
- Do not clean the heater with cleaners that are combustible or corrosive.
- Do not paint burner plaques, control panel or back of the heater.
- All leak tests should be done with a soapy solution. **NEVER USE AN OPEN FLAME TO CHECK FOR LEAKS.**
- The LP gas cylinder should be turned off when the heater is not in use.
- Storage of an appliance indoors is permissible only if the cylinder is disconnected and removed from the appliance.
- A cylinder must be stored outdoors in a well-ventilated area out of the reach of children. A disconnected cylinder must have dust caps tightly installed and must not be stored in a building, garage or any other enclosed area.

At least once a year, the unit should be inspected for the presence of spiders, spider webs or other insects. Check the heater immediately if any of the following exist:

1. The smell of gas in conjunction with extreme yellow colored tips of the burner flames.
2. The heater does not reach temperature.
3. The burner makes popping noise during use (a slight popping noise is normal when the burner is extinguished after using).

 **WARNING:**

- The propane hose with regulator assembly shall be located out of pathways where people may trip over it or in areas where the hose will not be subject to accidental damage.
- Children and adults should be aware of the hazards of high surface temperature and shall stay away to avoid clothing burn or ignition.
- **Young children should be carefully supervised when they are in the area of the heater.**
- **Clothing or other flammable material should not be hung from the heater, or placed on or near the heater.**
- **Any guard or other protective device removed for servicing the heater must be replaced prior to operating the heater.**
- Installation and repair should be done by a qualified service person. The heater should be inspected before use and cleaning may be required at least once a year, or as necessary. It is imperative that control compartment, burner and circulating air passageways of the heater be kept clean.
- Keep the appliance area clear of combustible materials such as gasoline and other flammable vapors and liquids.
- Do not obstruct the flow of combustion and ventilation air.
- Keep the ventilation opening of the cylinder enclosure free and clear of debris.

 **WARNING:**

- The hose must be protected from contact with hot or sharp surfaces both during use and while in storage.
- The hose assembly should be visually inspected prior to each use of the heater. No cracking or damage should be present.
- The hose assembly should be visually inspected during use.
- **At least once a year, the entire hose assembly should be inspected.** If excessive abrasion or wear is evident, or the hose is cut, it **MUST** be replaced prior to operating the heater. The replacement hose assembly may be obtained from the manufacturer. Replacement parts may be obtained from the manufacturer or your local sales representative.

DO NOT use any pressure regulator or hose assembly other than those supplied with the appliance. Replacement pressure regulator and hose assembly must be those specified.

 **CAUTION**

- The valve outlet must be maintained in good condition. When the cylinder is not in use, be sure to cover it with dust cap.
- All gas connections should be checked for leaks utilizing a soap solution.
- Never use a flame for this purpose.
- A leak test should be performed with soapy water whenever connecting a new cylinder.
- Never use a match to test for leaks.
- If disassembly is required, a leak test should be performed with soapy water

upon re-assembly.

- This heater is designed to operate with a standard 10lb. or 20lb. propane cylinder with approved cylinder connection.
- The gas manifold supply pressure must be regulated at 11 inches of water column utilizing an approved regulator. The minimum inlet gas supply pressure for the purpose of input adjustment is 11 inches Water Column. The maximum inlet gas supply pressure is 11 inches Water Column. LP Gas supply cylinder is not provided with the appliance.
- The cylinder must be provided with a shut off valve termination in an LP-gas supply cylinder valve outlet specified, as applicable, for connection No.510 in the standard for compressed gas cylinder valve outlet and inlet connections, ANSI/CGA-V-I, or connection No.600 in the compressed gas association's limited standard cylinder valve outlet connection for propane-small valve series.
- The cylinder supply system must be arranged for vapor withdrawal;
- The cylinder used must include a collar to protect the cylinder valve if a connection No.600 is used

ONLY CYLINDERS MARKED "PROPANE" MUST BE USED.

LP-gas supply cylinder to be used must be:

- (a) Constructed and marked in accordance with the Specifications for LP-gas cylinders of the U.S. Department of Transportation (DOT); or the Standard for Cylinders, Spheres and Tubes for Transportation of Dangerous Goods and Commission, CAN/CSA-B339, as applicable;
- (b) Provided with a listed overfilling prevention device; and
- (c) Provided with a cylinder connection device compatible with the connection for the appliance.

QUALIFIED INSTALLING AGENCY

Only a qualified agency should install and replace gas piping, gas utilization equipment or accessories, and repair and equipment servicing. The term "qualified agency" means any individual, firm, corporation, or company that either in person or through a representative is engaged in and is responsible for:

- a) Installing, testing, or replacing gas piping or
- b) Connecting, installing, testing, repairing, or servicing equipment; that is experienced in such work; that is familiar with all precautions required; and that has complied with all the requirement of the authority having jurisdiction

PRODUCT FEATURES

PIEZO IGNITION SYSTEM

This heater is equipped with a piezo ignition system.

LOCAL CODES

The installation must conform with local codes or, in the absence of local codes, with the Standard for the Storage and Handling of Liquefied Petroleum Gases, ANSI/NFPA 58 and the Natural Gas and Propane Installation Code, CSA B149.1;

Every part of the heater shall be secure against displacement and shall be constructed to maintain a fixed relationship between essential parts under normal and reasonable conditions of handling and usage. Parts not permanently secured shall be placed so they cannot be incorrectly assembled and cannot be improperly located or misaligned in removing or replacing during cleaning or other servicing.

INSTALLATION

Before beginning assembly or operation of the product, make sure all parts are present. Compare parts with package contents list and diagram above. If any part is missing or damaged, do not attempt to assemble, install or operate the product. Contact customer service for replacement parts.



Figure 1 – Portable infrared heater

UNPACKING

1. Remove heater from carton.
2. Remove all protective packaging applied to heater for shipping
3. Check heater for any shipping damage. If heater is damaged, promptly inform dealer where you bought heater.

- ⚠ WARNING:** A qualified service person must install heater. Follow all local codes.
- You must provide propane gas and propane cylinder. Use a standard 10lb. or 20lb. propane cylinder.
 - Use this heater only with a propane vapor withdrawal supply system. See chapter 5 of the standard for storage and handling of liquefied petroleum Gas, ANSI/NFPA58. Your local library or fire department should have this book.
 - The minimum permissible gas supply pressure of 11 W.C. is required for purpose of input adjustment.
 - The minimum hourly of 15,000BTU is required input rating for a heater for automatic operation at ratings less than full input rating.
 - The pressure regulator and hose assembly supplied with the appliance must be used.
 - The installation must conform with local codes, or in the absence of local codes, with National Fuel Gas Code, ANSI Z223.1.
 - A dented, rusted or damaged propane cylinder may be hazardous and should be checked by your cylinder supplier. Never use a propane cylinder with a damaged valve connection.
 - The propane cylinder must be constructed and marked in accordance with the specifications for LP gas cylinders of the U.S. Department of Transportation (DOT).
 - Never connect an unregulated propane cylinder to the heater.

1) Mount the heater to the bracket using the screws provided. (see figure 2). Some models come pre-mounted and require no attention to assembly.

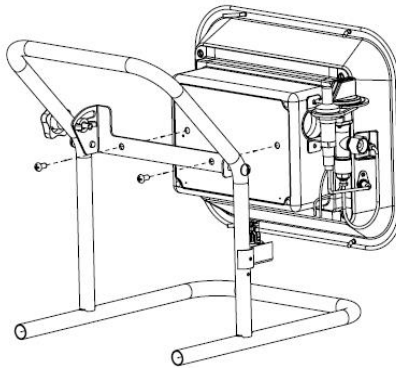


Figure 2 – Mounting heater to bracket

2) Connect the tip over switch. Ensure both wires are firmly attached to metal plugs.
(see figure 3)

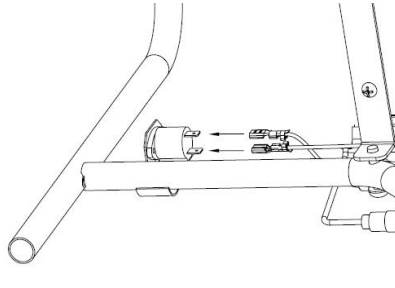


Figure 3 – Tip over switch connection

3) Attach regulator to propane tank. (See figure 4)



Figure 4 – Regulator connection

Check for Leaks

Your portable heater has been checked tested at the factory for normal operation. The user **MUST** check all gas connections for leaks. This includes the gas hose/regulator/cylinder. Follow this procedure:

- Make leak solution by mixing 1-part liquid dish soap and 3 parts water.
- Spoon several drops (or use squirt bottle) of the solution onto the gas hose/regulator and regulator/cylinder connection.
- Inspect the connections and look for bubbles.
- If no bubbles appear, the connection is safe.
- If bubbles appear, there is a leak, loosen and re-tighten this connection.

Disconnect Cylinder When Storing or Transporting

VERIFY THE FOLLOWING PRIOR TO STORING OR TRANSPORTING THE HEATER

- Turn off the heater by turning the control valve to the right to the off position.
- Turn off the valve of the LP cylinder.
- Loosen the screw of cylinder and regulator.
- Disconnect the cylinder from regulator.

When the heater is to be stored indoors, the connection between the propane supply cylinder(s) and the heater must be disconnected and the cylinders removed from the heater and stored in accordance with Standard for the Storage and Handling of Liquefied Petroleum Gases, ANSI/NFPA 58 and Natural Gas and Propane Installation Code, CSA B149.1

VERIFY THE FOLLOWING PRIOR TO CONNECTING OR CHANGING THE LP CYLINDER


- A leak test should be performed with soapy water whenever connecting a new cylinder.
Never use a match to test for leaks.
- If disassembly is required, a leak test should be performed with soapy water upon re-assembly.
Never use a match to test for leaks.

VERIFY THE FOLLOWING MINIMUM INSTALLATION CLEARANCES PRIOR TO USING HEATER

Minimum Clearance from Combustibles and Propane Containers	
Distance from Wall	3 Ft.
Distance from Floor	1 Inch
Distance from Ceiling	8 Ft.
Distance from Propane Container	6 Ft. (1.83m)

UNIT OPERATION

FOR YOUR SAFETY READ BEFORE LIGHTING

 **WARNING:** If you do not follow these instructions exactly, a fire or explosion may result causing property damage, personal injury or loss of life.

Before Turning Gas Supply On:

1. Your heater was designed and approved for indoor use only. Do NOT use in poorly ventilated areas, or any other tightly enclosed area.
2. Make sure surrounding areas are free of combustible materials, gasoline, and other flammable vapors or liquids.
3. Ensure that the flow of combustion and ventilation is not obstructed
4. Be sure all gas connections are tight and there are no leaks.
5. Be sure the cylinder cover is clear of debris.
6. Be sure any component removed during assembly or servicing is replaced and fastened prior to starting.
7. Be sure the heater is level prior to lighting and during use. Place heater on a level surface such as a table or any other non-combustible solid level surface.

Before Lighting

1. Heater should be thoroughly inspected before each use and by a qualified service person at least annually.
2. If relighting a hot heater, always wait at least 5 minutes
3. Inspect the hose assembly for evidence of excessive abrasion, cuts, or wear. Suspected areas should be leak tested. If the hose leaks, it must be replaced prior to operation. Only use the replacement hose assembly specified by manufacturer.

Lighting

1. Open valve on LP cylinder
2. While in off position depress control knob slightly and turn control knob counterclockwise to the Ignition position.
3. Depress control knob while pressing the igniter button. (See figure 5)
4. After burner is lit, keep the control knob pressed for 5 seconds before adjusting to desired setting, turn to ON position.
5. To shut down heater turn control knob to igniter position, depress slightly and turn to OFF.
6. After shut down, user must wait 5 minutes prior to re-igniting.
7. Close valve on LP cylinder.

Shut Down

1. Press control knob and continue to turn it clockwise to OFF position.
2. Turn propane cylinder valve clockwise to OFF and disconnect regulator when heater is not in use.

After Operation Verify

1. Gas control is in OFF position.
2. Propane Tank valve is OFF.
3. Disconnect Gas line.
4. Heater is upright in a secure location



Figure 5 – Control Knobs

CARE AND MAINTENANCE

⚠ WARNING: Turn off heater and let cool before servicing

⚠ CAUTION: You must keep control areas, burner, and circulating air passageways of heater clean. Inspect these areas of heater before each use. Have heater inspected yearly by a qualified service technician. Heater may need more frequent cleaning due to excessive lint from carpeting, bedding material, pet hair, etc.

THE FOLLOWING MAINTENANCE IS RECOMMENDED TWICE A YEAR AND UNDER DAILY USE EVERY 90 DAYS FOR INFRARED BURNER PLAQUES

Use a vacuum cleaner, pressurized air, or a small, soft bristled brush to clean.

CLEANING BURNER AIR INLET HOLES

We recommend that you clean the unit every 2,500 hours of operation or every three months. We also recommend that you keep the burner tube and igniter assembly clean and free of dust and dirt. To clean these parts, we recommend using compressed air no greater than 30 PSI. Your local computer store, hardware store, or home center may carry compressed air in a can. You can use a vacuum cleaner in the blow position. If using compressed air in a can, please follow the directions on the can. If you don't follow directions on the can, you could damage the burner assembly.

1. Shut off the unit. Allow the unit to cool for at least thirty minutes.
2. Inspect burner for dust and dirt.
3. Blow air through the ports/slots and holes in the burner. A yellow tip on the burner flame indicates dust and dirt in the burner assembly. You may blow through a drinking straw if compressed air is not available to clean burner holes.

CLEANING EXTERIOR

Use a soft cloth dampened with a mild soap and water mixture.

Wipe the cabinet to remove dust.


- 1) Use a soft cloth dampened with a mild soap and water mixture.
- 2) Wipe the cabinet to remove dust.

TROUBLE SHOOTING

 **WARNING:** If you smell gas:

- 1) Open the window and door immediately.
- 2) Shut off gas supply.
- 3) Do not try to light any appliance.
- 4) Do not touch any electrical switch; do not use any phone in your building.
- 5) Immediately call your gas supplier from a neighbor's phone. Follow the gas supplier's instructions.
- 6) If you cannot reach your gas supplier, call the fire department.

IMPORTANT: Operating heater where impurities in air exist may create odors. Cleaning supplies, paint, paint remover, cigarette smoke, cements and glues, new carpet or textiles, etc., create fumes. These fumes may mix with combustion air and create odors.

 **WARNING:** Only a qualified service technician should service and repair heater

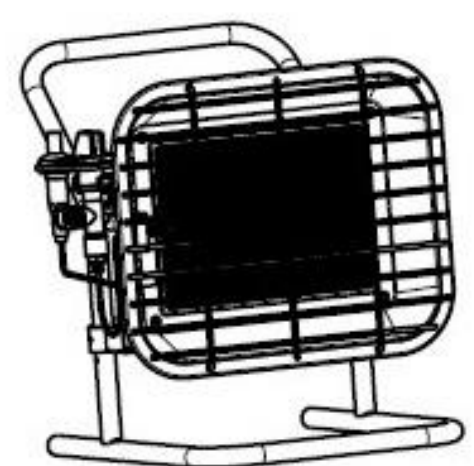
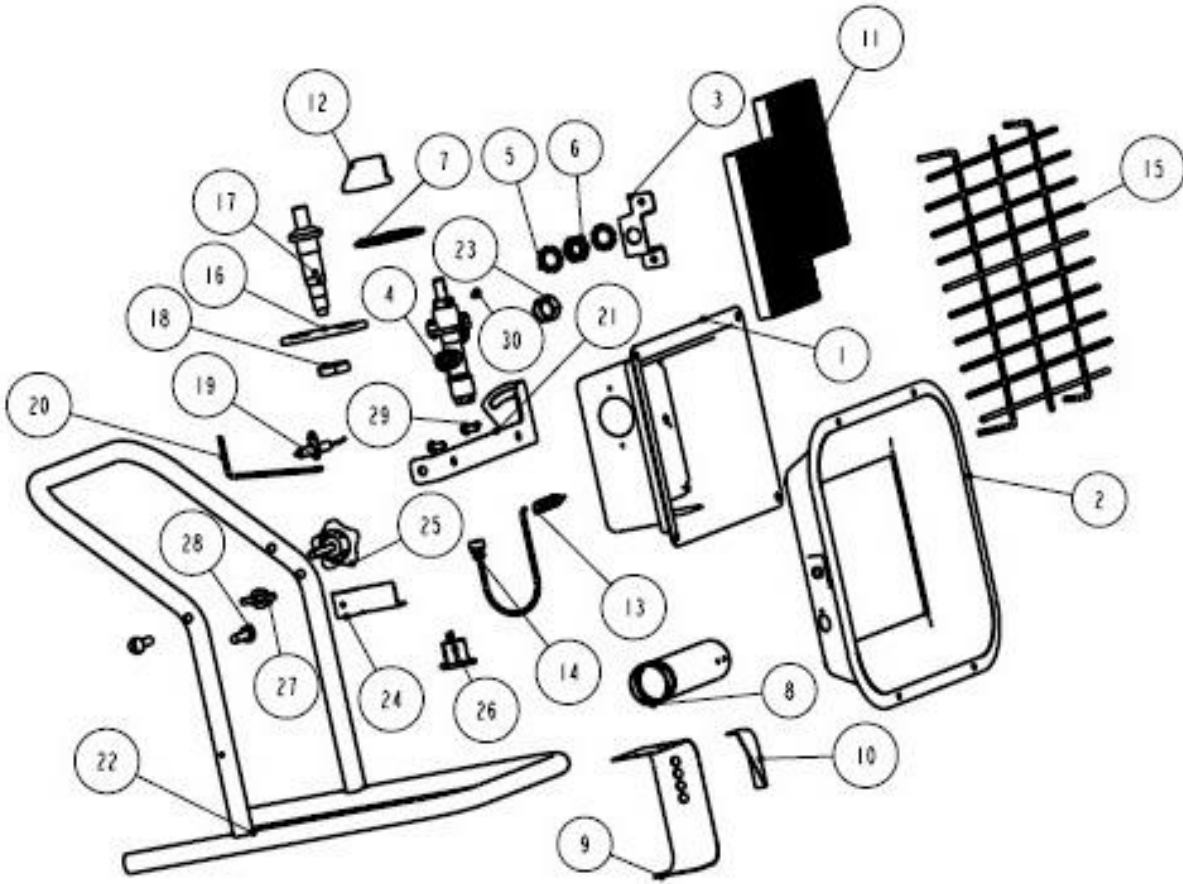
NO.	PROBLEM	POSSIBLE CAUSE	REMEDY
1	-When igniter button is pressed in there is no spark at igniter.	-- Igniter electrode is positioned wrong or broken. -- Igniter electrode is not connected to Igniter cable. -- Igniter cable is pinched or wet. -- Broken igniter cable. -- Bad piezo igniter.	--- Replace igniter --- Reconnect igniter cable. --- Free igniter cable if pinched by any metal or tubing. Keep igniter cable dry. --- Replace igniter cable. --- Replace piezo igniter.
2	-When igniter button is pressed in there is a spark at igniter but no ignition.	-- Gas supply is turned off or equipment shutoff valve is closed. -- Control knob not fully pressed in while pressing igniter button. -- Air in gas lines when installed. -- Igniter is blocked. -- Gas regulator setting is not correct. -- Control knob not in PILOT position. -- Depleted gas supply (propane).	--- Turn on gas supply or open equipment shutoff valve. --- Fully press in control knob while pressing igniter button. --- Continue holding down control knob. Repeat igniting operation until air is removed. --- Clean igniter (see <i>Care and Maintenance</i>) or replace igniter assembly. --- Replace gas regulator. --- Turn control knob to LIGHT position. --- Contact local propane/LP gas

			company.
3	-Burner lights but flame goes out when control knob is released.	--Control knob is not fully pressed in. --Control knob is not pressed in long enough. --Equipment shutoff valve is not fully open. --Thermocouple connection is loose at control valve. -- Thermocouple damaged. -- Control valve damaged.	--- Press in control knob fully. --- After burner lights, keep control knob pressed in 30 seconds. --- Fully open equipment shutoff valve --- Hand tighten until snug, and then tighten 1/4 turn more. --- Replace thermocouple. --- Contact customer service.
4	-Burner(s) does not light.	-- Burner orifice is clogged. -- Burner orifice diameter is too small. -- Inlet gas pressure is too low.	---Clean burner orifice (see <i>Care and Maintenance</i>) or replace burner orifice. --- Contact customer service. --- Contact local gas supplier.
5	-Delayed ignition of burner(s).	-- Manifold pressure is too low. -- Burner orifice is clogged.	--- Contact local gas supplier. --- Clean burner (see <i>Care and Maintenance</i>) or replace burner orifice.
6	-Burner backfiring during combustion.	-- Burner orifice is clogged or damaged. -- Burner is damaged. -- Gas regulator is defective.	--- Clean burner orifice (see <i>Care and Maintenance</i>) or replace. --- Contact customer service. --- Replace gas regulator.
7	-Yellow flame during burner combustion.	-- Not enough air. -- Gas regulator is defective. -- Inlet gas pressure is too low	--- Check burner for dirt and debris. If found, clean burner (see <i>Care and Maintenance</i>). --- Replace gas regulator. --- Contact local gas supplier.
8	-Slight smoke or odor during initial operation.	--Residues from manufacturing processes.	--- Problem will stop after a few hours of operation.
9	-Heater produces a whistling noise when burner is lit.	--Turning control knob to HI position when burner is cold. --Air in gas line. --Air passageways on heater are blocked. --Dirty or partially clogged burner orifice.	--- Turn control knob to LO position and let warm up for a minute. --- Operate burner until air is removed from line. Have gas line checked by local gas supplier. --- Observe minimum installation clearances. --- Clean burner (see <i>Care and Maintenance</i>) or replace burner orifice.
10	-Heater produces a clicking/ ticking noise just after burner is lit or shut off.	-- Metal is expanding while heating or contracting while cooling.	--- This is common with most heaters. If noise is excessive, contact qualified service technician.
11	-White powder residue forming within burner box or on adjacent walls or furniture.	--When heated, the vapors from furniture polish, wax, carpet cleaners, etc., turn into white powder residue.	--- Turn heater off when using furniture polish, wax, carpet cleaner, or similar products.

12	-Heater produces unwanted odors.	-- Heater is burning vapors from paint, hair spray, glues, etc. See IMPORTANT statement. -- Gas leak. See Warning statement. -- Low fuel supply.	--- Ventilate room. Stop using odor causing products while heater is running. --- Locate and correct all leaks (see <i>Checking Gas Connections</i>). --- Refill supply tank (Propane / LP models).
13	-Heater shuts off in use	-- Not enough fresh air is available. -- Low line pressure. -- Burner is partially clogged. -- Thermocouple has cooled	--- Open window and/or door for ventilation. --- Contact local gas supplier. --- Clean burner (see <i>Care and Maintenance</i>). --- Check gas pressure using the pressure check valve on fuel control.
14	-Gas odor during combustion	-- Foreign matter between control valve and burner. -- Gas leak. See Warning Statement.	--- Take apart gas tubing and remove foreign matter. --- Locate and correct all leaks (see "Checking Gas Connections").
15	-Moisture/condensation noticed on windows.	--Not enough combustion/ventilation air.	--- Refer to "Warning Statement"

ILLUSTRATED PARTS

Model: RE5000FS



PARTS LIST

Model: RE5000FS

CODE	DESCRIPTION
1	The combustion box
2	The upper cover
3	The nozzle seat components
4	Valve body components
5	D12 gear pad
6	M12 bolt
7	Plastic plate
8	The intake pipe
9	Fire film
10	Fire film
11	Ceramic plate
12	Fuel control switch
13	Inductance
14	Ignition line
15	Protective front grill
16	The ignition switch holder
17	Piezo igniter
18	The ignition switch bolt
19	Magnetic needle
20	Ignition line
21	Adjustable bracket
22	Bracket
23	Joint
24	Tip-over switch holder
25	Adjustable knob
26	The tip over switch
27	Butterfly net
28	Support bracket screw
29	Support bracket screw
30	Fuel nozzle
31	Regulator & Hose

Parts Not Sold Separately

Questions about installation and initial operation should be directed to your installer. For all other concerns and questions, please reach out to our customer service team at 1-877-670-8428, by email at service@thermablaster.com, or visit www.thermablaster.com

Annual Service Schedule

Service Performed	Service Date

Please **register** your product online at www.thermablaster.com, or send in the registration form below to our office at:

Reecon North America
 2515 Liberty Ave
 Pittsburgh, PA 15222

Contact Information	Product Information
Name:	Model:
Phone:	Serial Number:
Email:	Date of Purchase:
Address:	Retailer Purchased from:
City:	Installer Company:
State:	Installer Phone:
Zip Code:	Installer Zip Code:

All information above is required in order for our company to honor the warranty

Comments:



Thermablaster[®]

BY *Reecon*