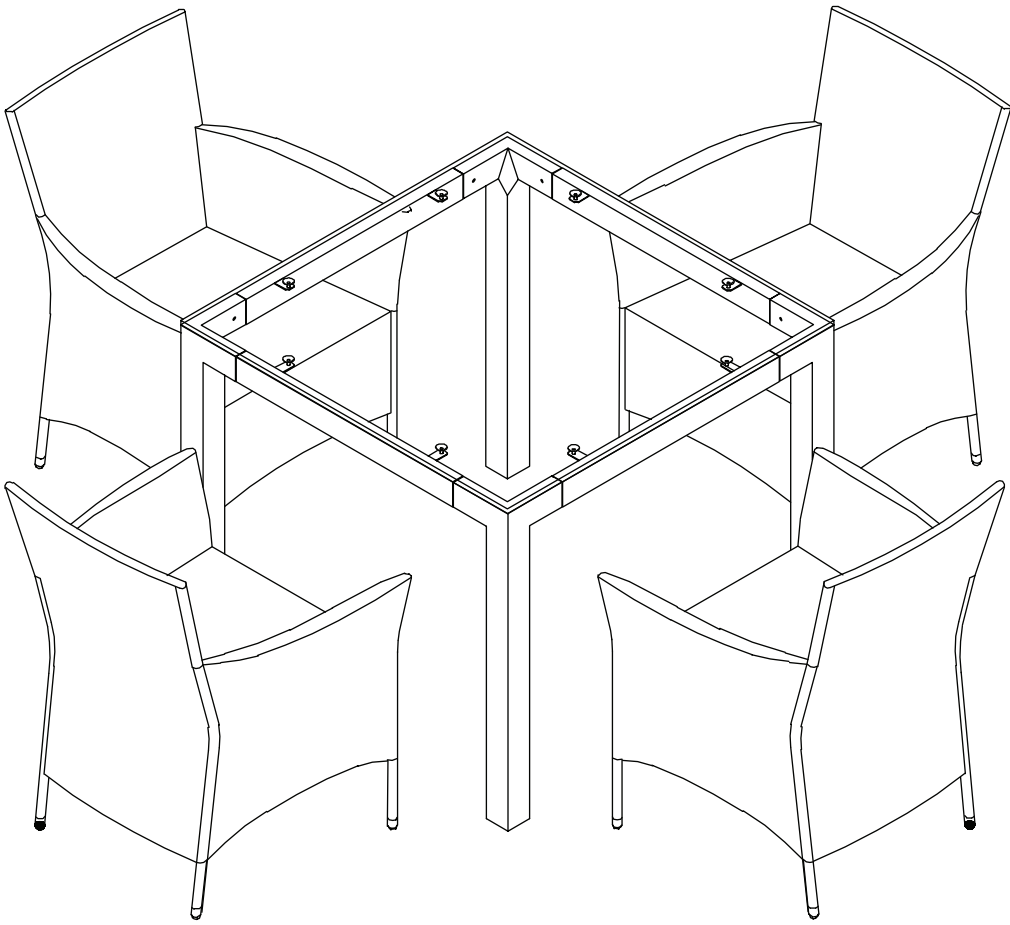
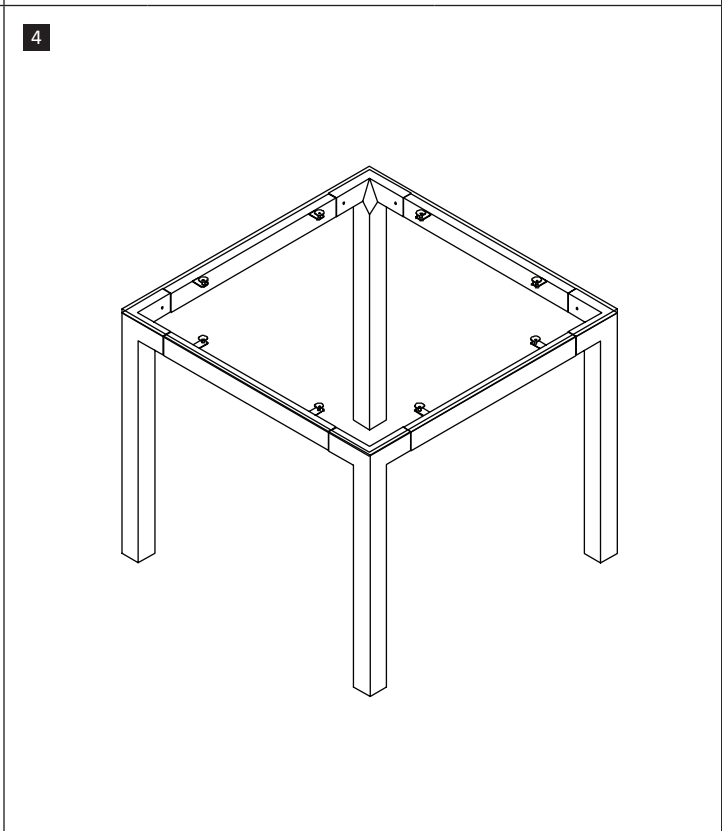
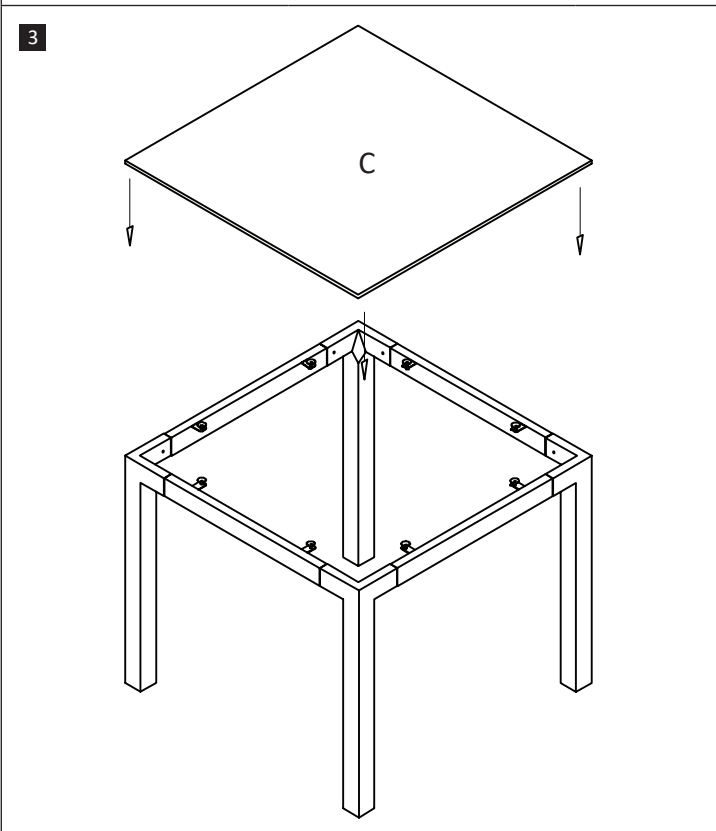
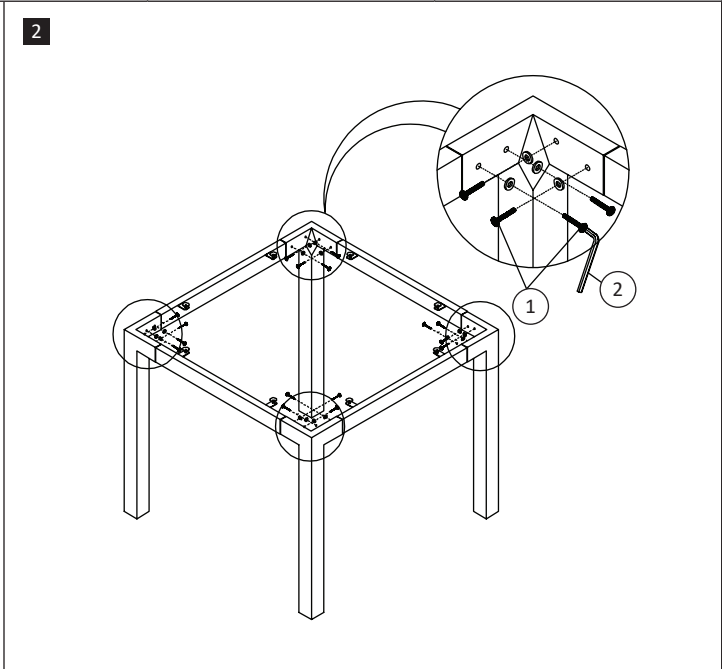
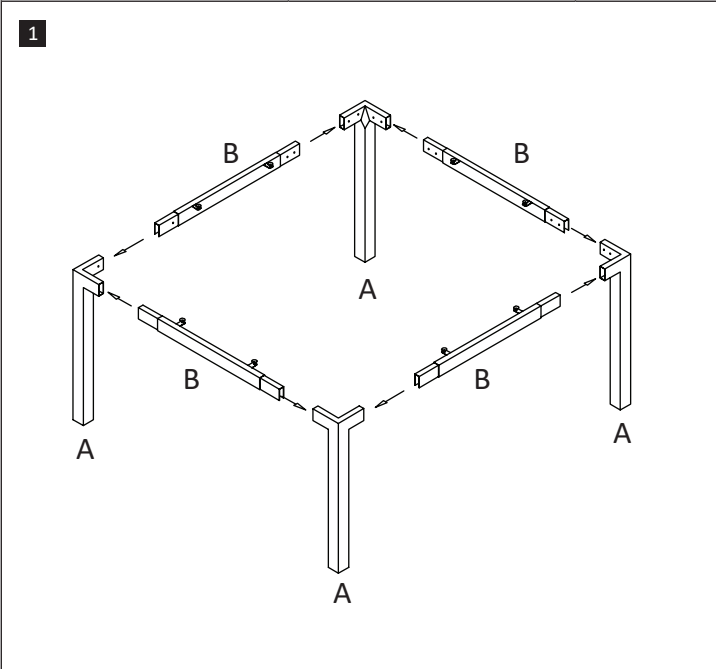
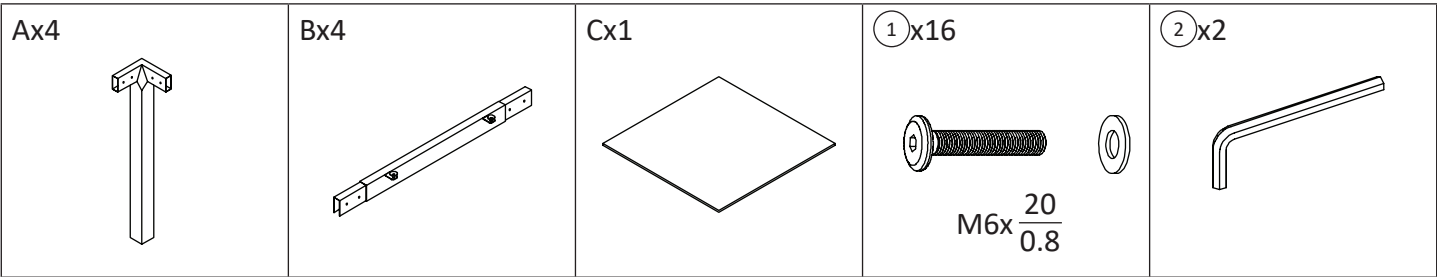
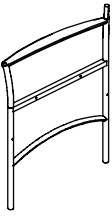
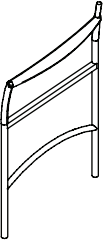
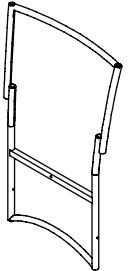
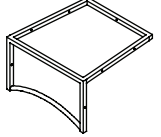
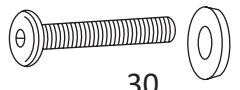

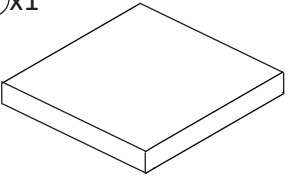
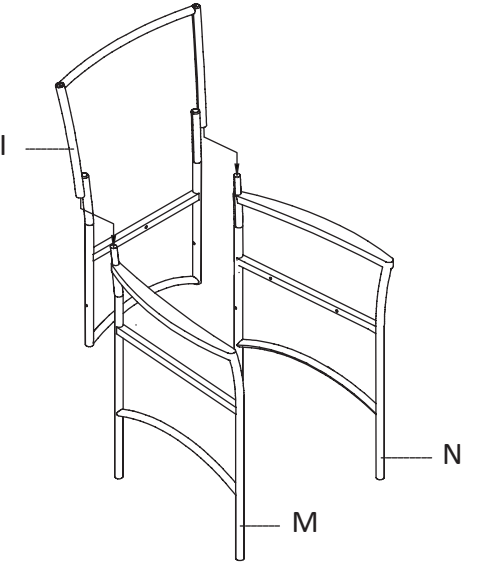
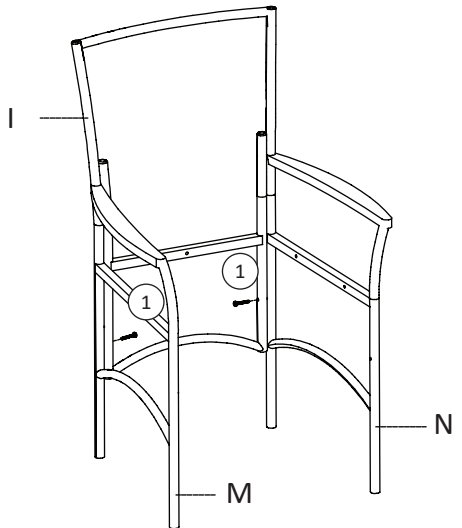
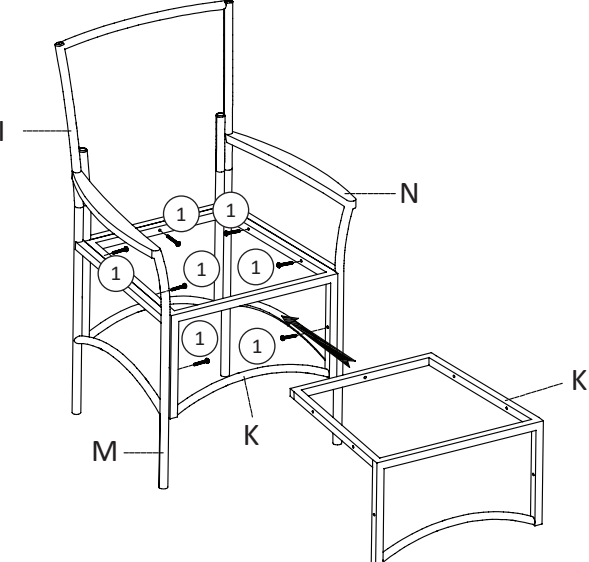
 $\frac{\text{mm}}{\text{inch}}$
x2





<p>Mx1</p> 	<p>Nx1</p> 	<p>lx1</p> 	<p>Kx1</p> 
<p>①x9</p>  <p>M6x $\frac{30}{1.2}$</p>	<p>②x1</p> 	<p>③x1</p> 	
<p>1</p> 	<p>2</p> 		
<p>3</p> 	<p>4</p> 