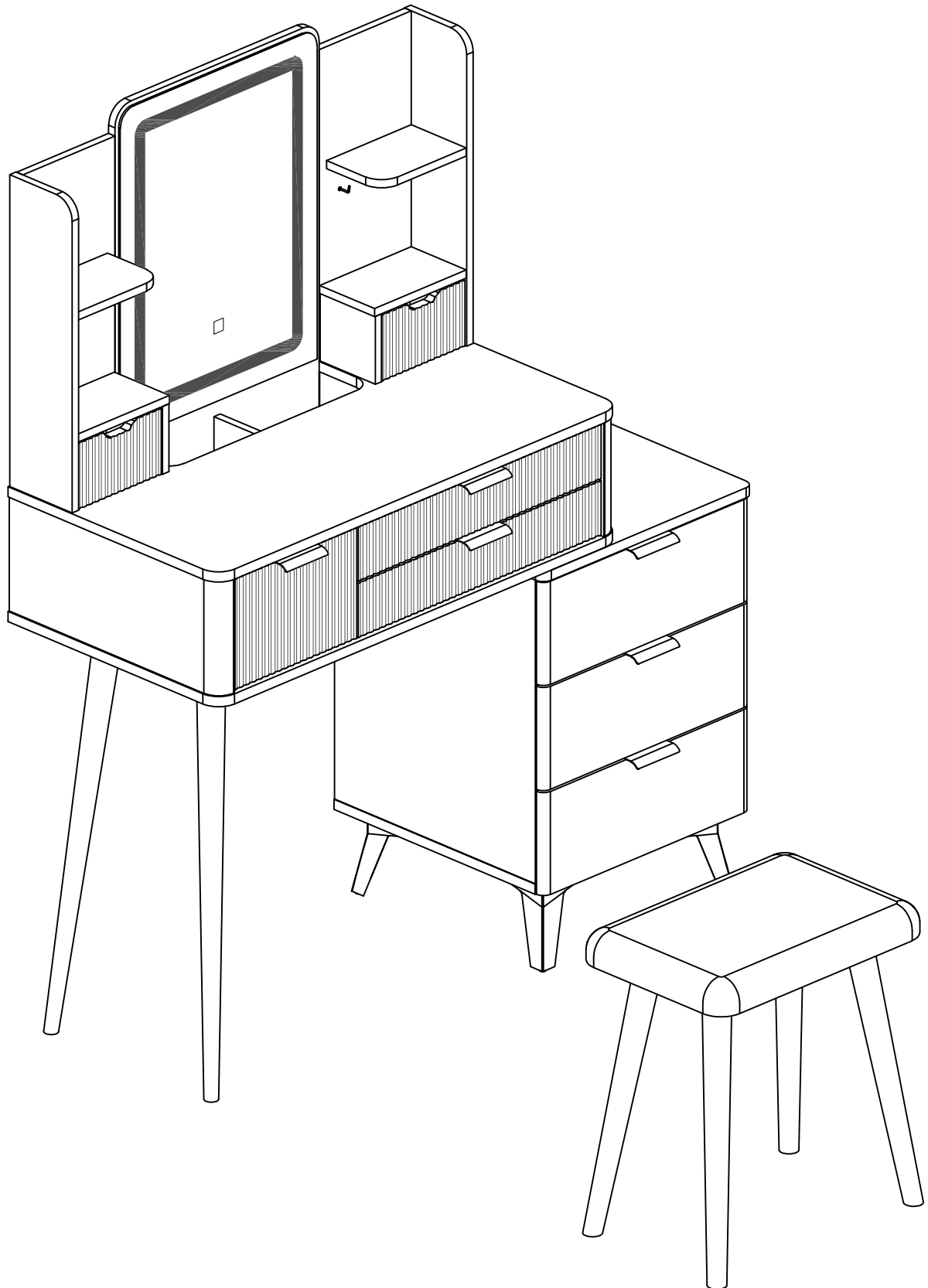
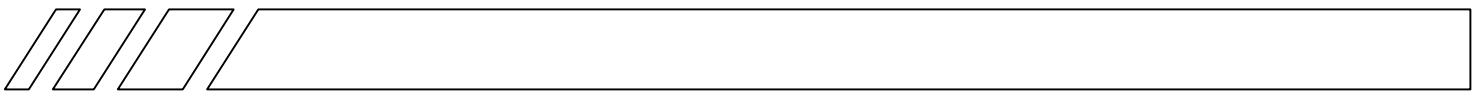
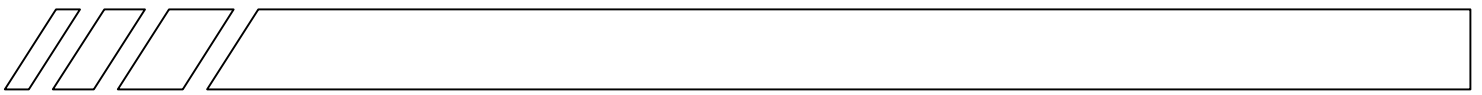


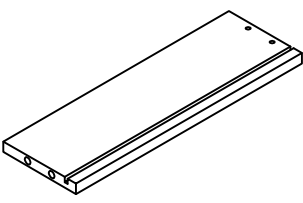
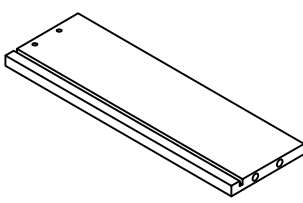
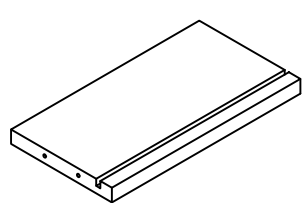
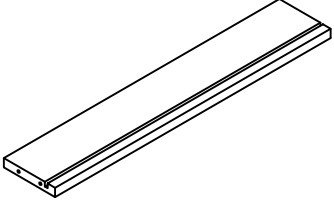
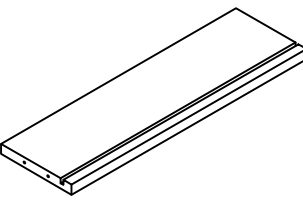
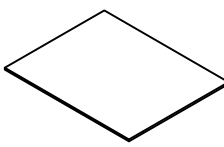
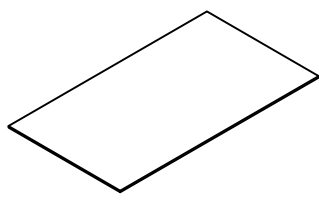
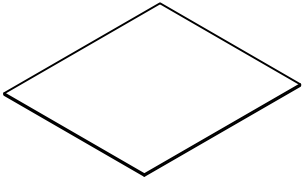
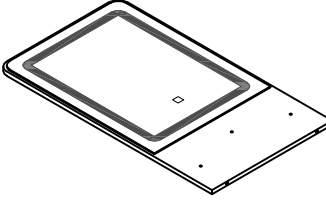
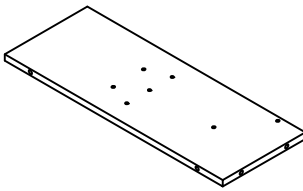
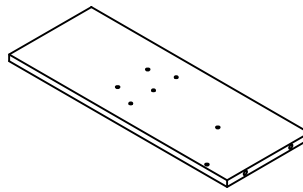
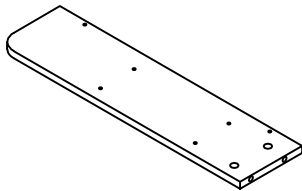
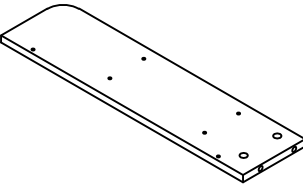
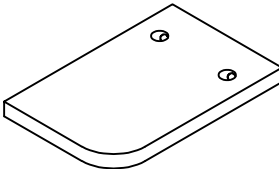
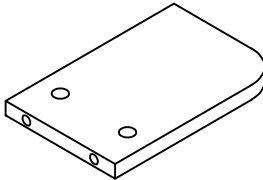
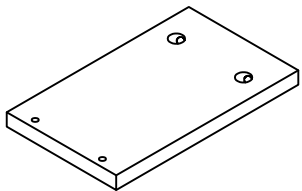
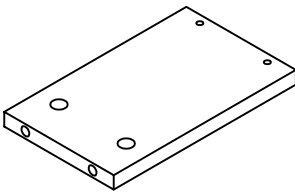
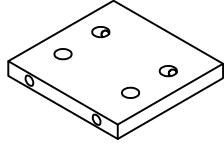
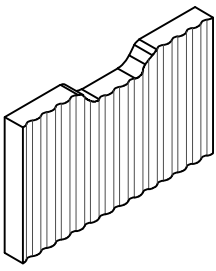
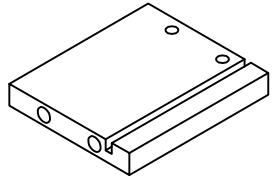
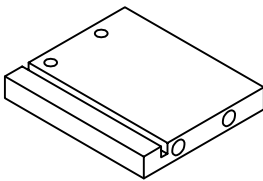
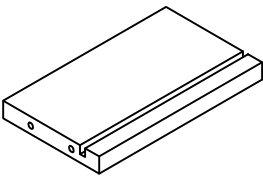
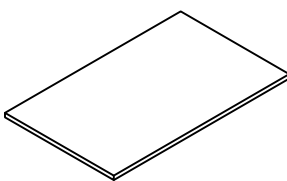
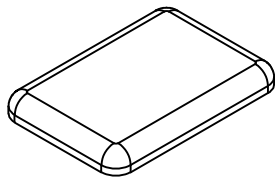
Installation & Assembly





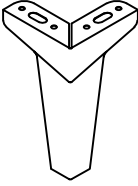
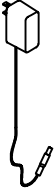


<p>①</p> <p>X 1</p>	<p>②</p> <p>X 1</p>	<p>③</p> <p>X 1</p>	<p>④</p> <p>X 1</p>
<p>⑤</p> <p>X 1</p>	<p>⑥</p> <p>X 2</p>	<p>⑦</p> <p>X 2</p>	<p>⑧</p> <p>X 1</p>
<p>⑨</p> <p>X 1</p>	<p>⑩</p> <p>X 1</p>	<p>⑪</p> <p>X 1</p>	<p>⑫</p> <p>X 1</p>
<p>⑬</p> <p>X 1</p>	<p>⑭</p> <p>X 1</p>	<p>⑮</p> <p>X 1</p>	<p>⑯</p> <p>X 2</p>
<p>⑰</p> <p>X 1</p>	<p>⑱</p> <p>X 1</p>	<p>⑲</p> <p>X 2</p>	<p>⑳</p> <p>X 3</p>
<p>㉑</p> <p>X 1</p>	<p>㉒</p> <p>X 1</p>	<p>㉓</p> <p>X 2</p>	<p>㉔</p> <p>X 2</p>



<p>25</p>  <p>X 3</p>	<p>26</p>  <p>X 3</p>	<p>27</p>  <p>X 1</p>	<p>28</p>  <p>X 2</p>
<p>29</p>  <p>X 3</p>	<p>30</p>  <p>X 1</p>	<p>31</p>  <p>X 2</p>	<p>32</p>  <p>X 3</p>
<p>33</p>  <p>X 1</p>	<p>34</p>  <p>X 1</p>	<p>35</p>  <p>X 1</p>	<p>36</p>  <p>X 1</p>
<p>37</p>  <p>X 1</p>	<p>38</p>  <p>X 1</p>	<p>39</p>  <p>X 1</p>	<p>40</p>  <p>X 1</p>
<p>41</p>  <p>X 1</p>	<p>42</p>  <p>X 2</p>	<p>43</p>  <p>X 2</p>	<p>44</p>  <p>X 2</p>
<p>45</p>  <p>X 2</p>	<p>46</p>  <p>X 2</p>	<p>47</p>  <p>X 2</p>	<p>48</p>  <p>X 1</p>

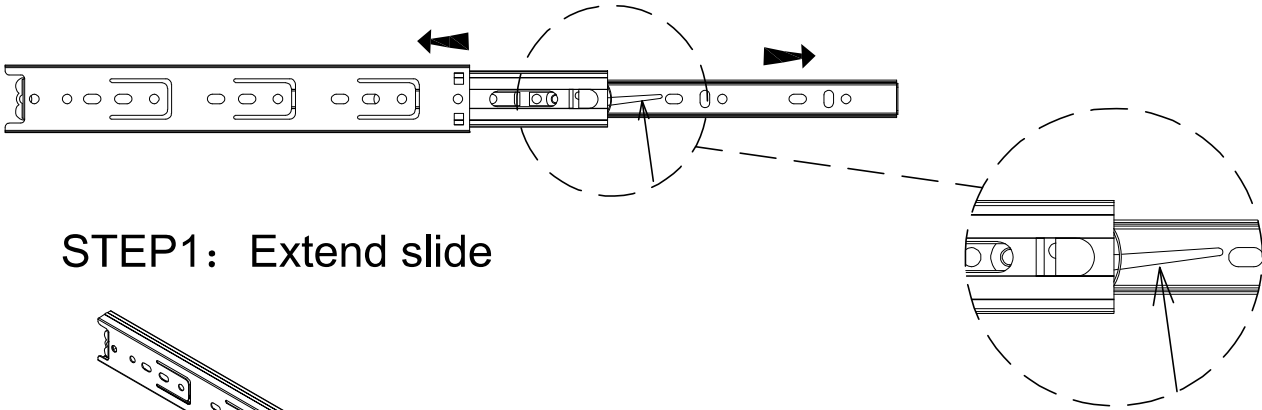


<p>④9</p>  <p>X 2</p>	<p>⑤0</p>  <p>X 4</p>	<p>⑤1</p>  <p>X 4</p>	<p>⑤2</p>  <p>X 1</p>
--	--	---	--

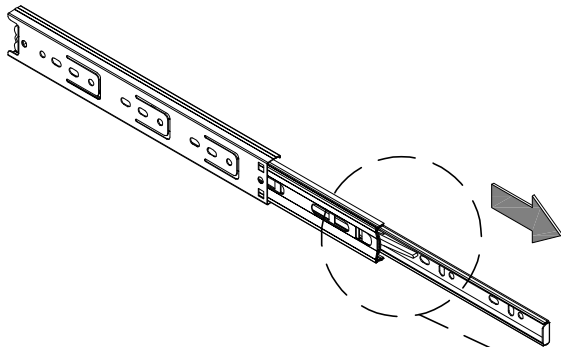
--	--	--	--

--

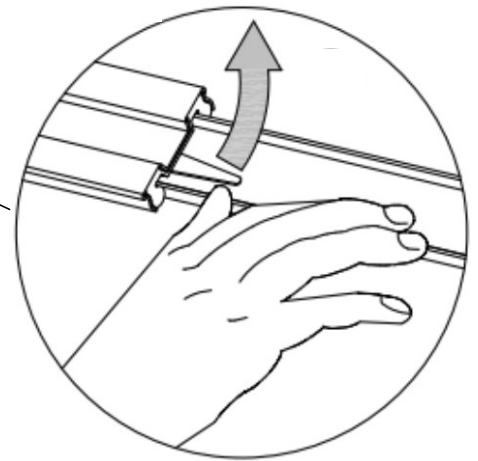
Slides Must Be Separated Before Assembly,
After Separated, Set Aside Until Needed for Assembly.



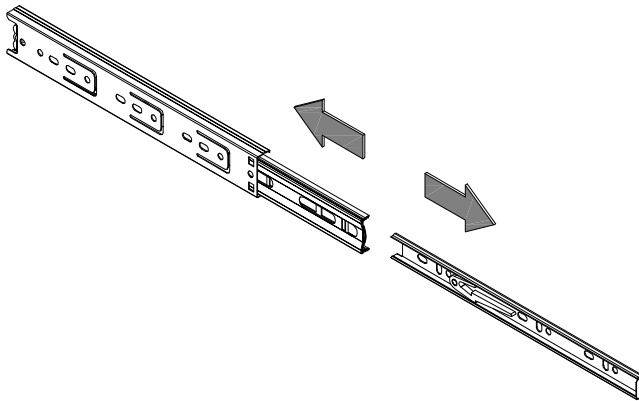
STEP1: Extend slide



STEP2: Push Lever UP

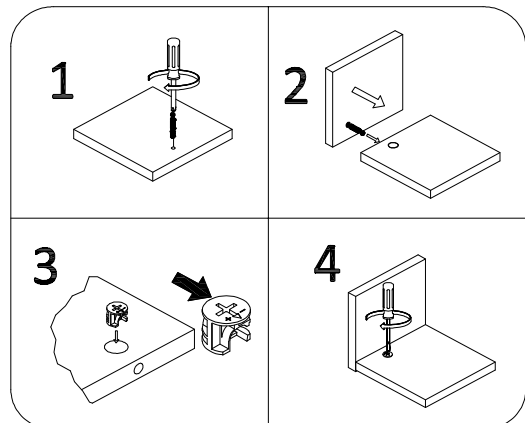
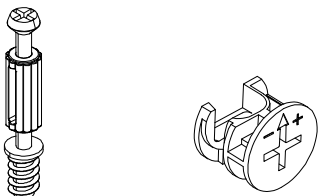


STEP3: Remove Runner




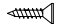
Cam Lock Fastening System

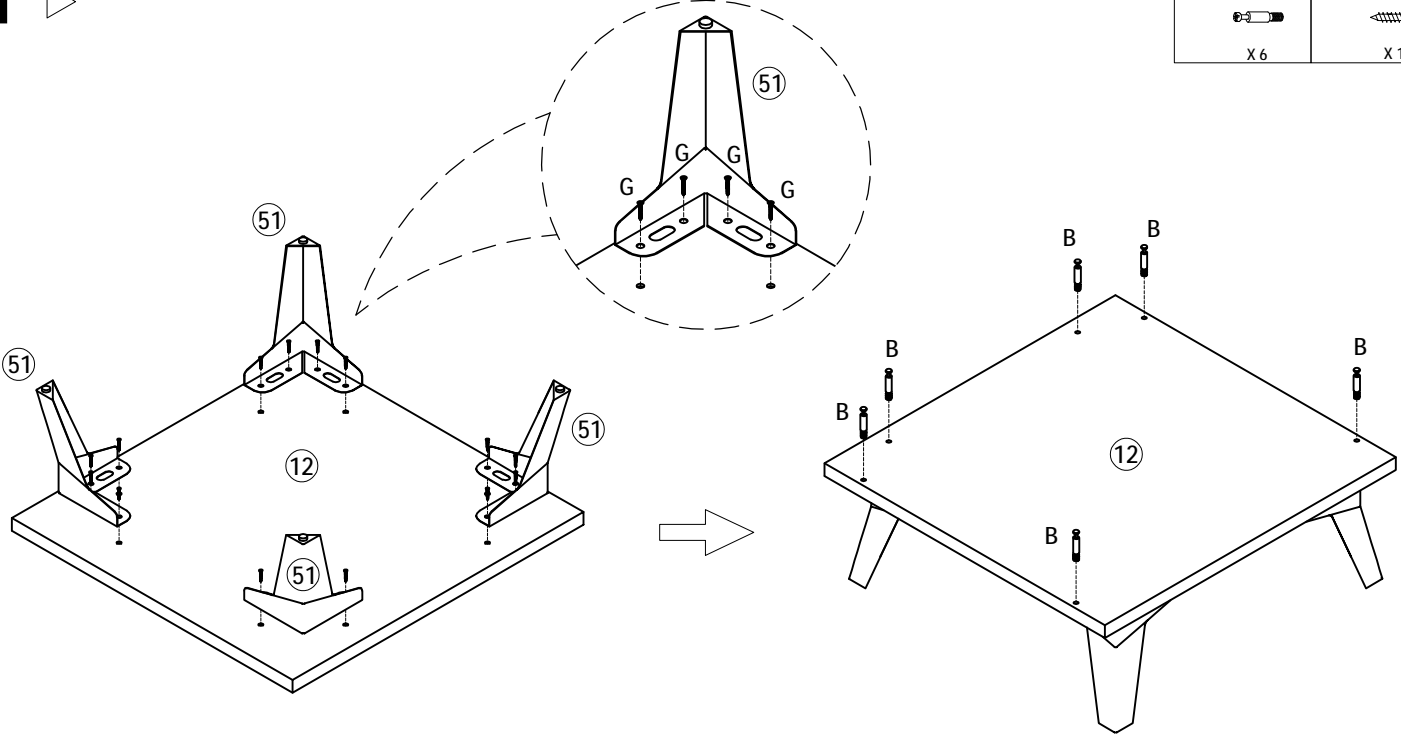
This Cam Lock Fastening System will be used throughout the assembly process




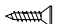
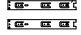
Installation Steps

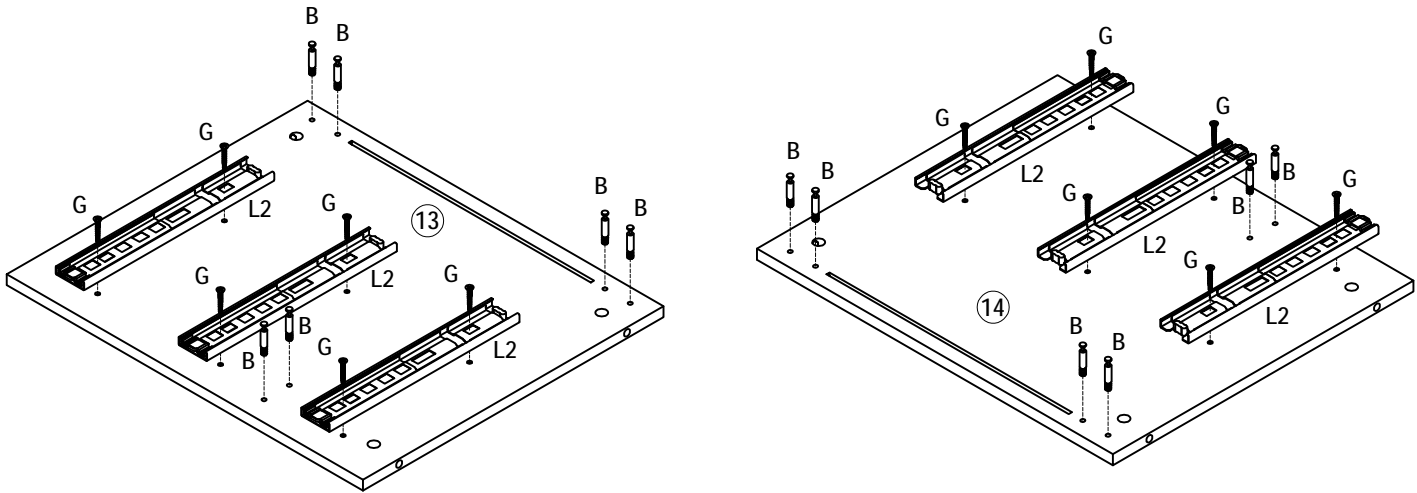
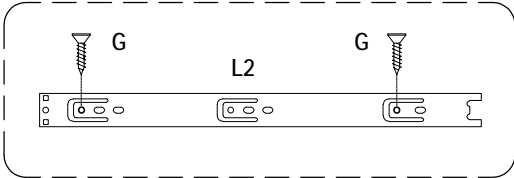
1 ▶

B	Ø7*40	G	M3.5*12
			
	X 6		X 16




2 ▶

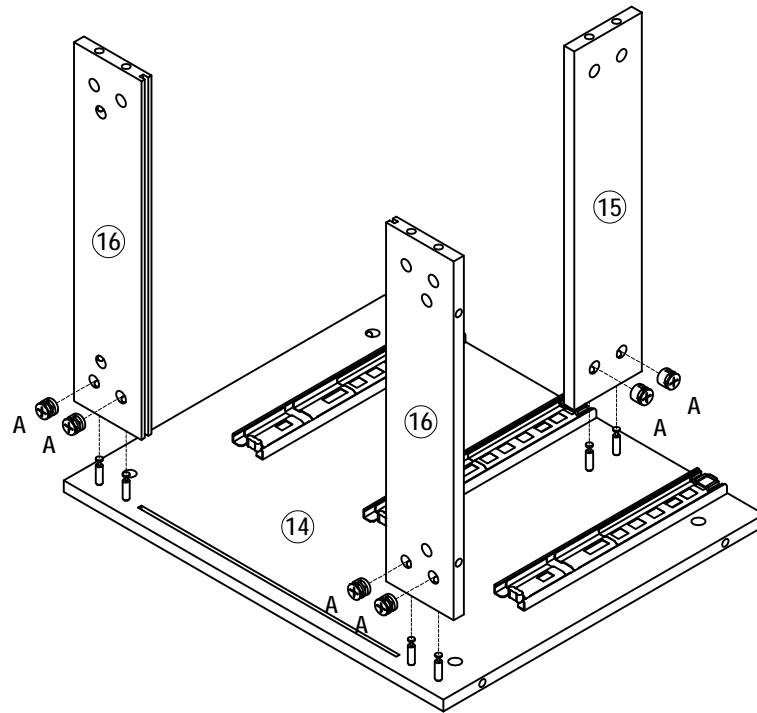
B	Ø7*40	G	M3.5*12	L	10" L2
					
	X 12		X 12		X 3



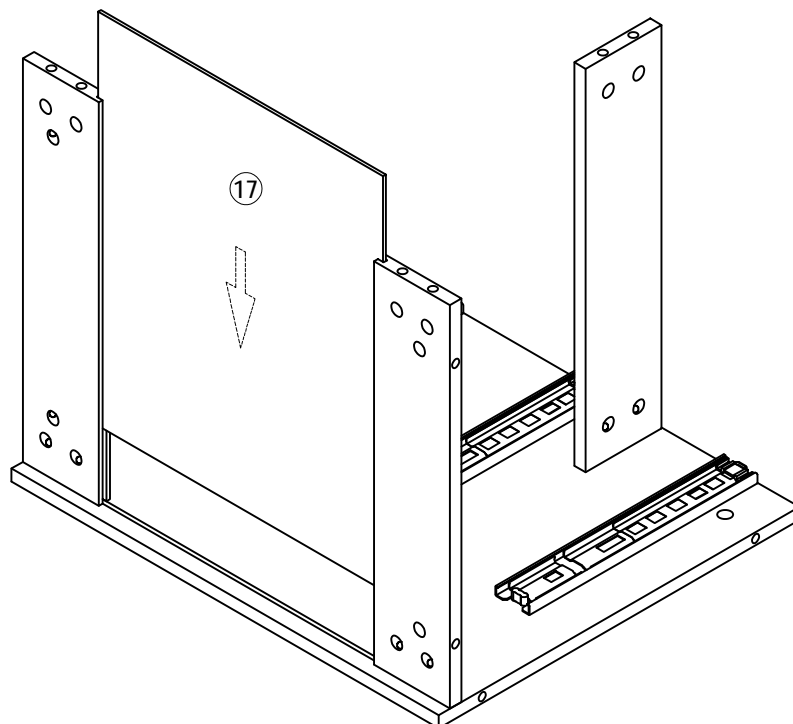
Installation Steps

3 ▷

A $\phi 12 \times 10$

X 6




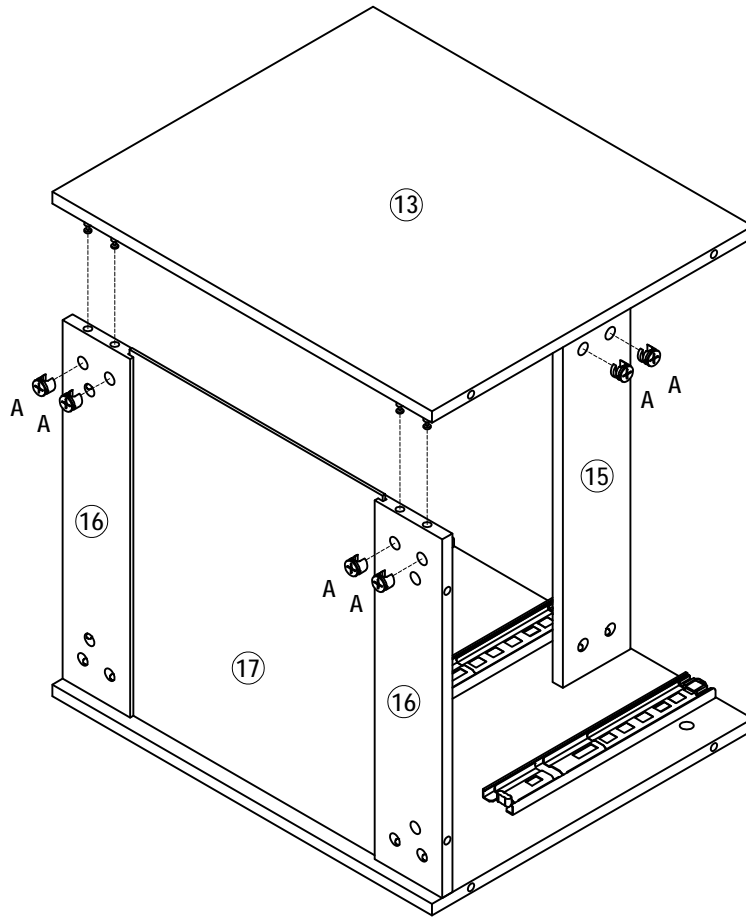
4 ▷




Installation Steps

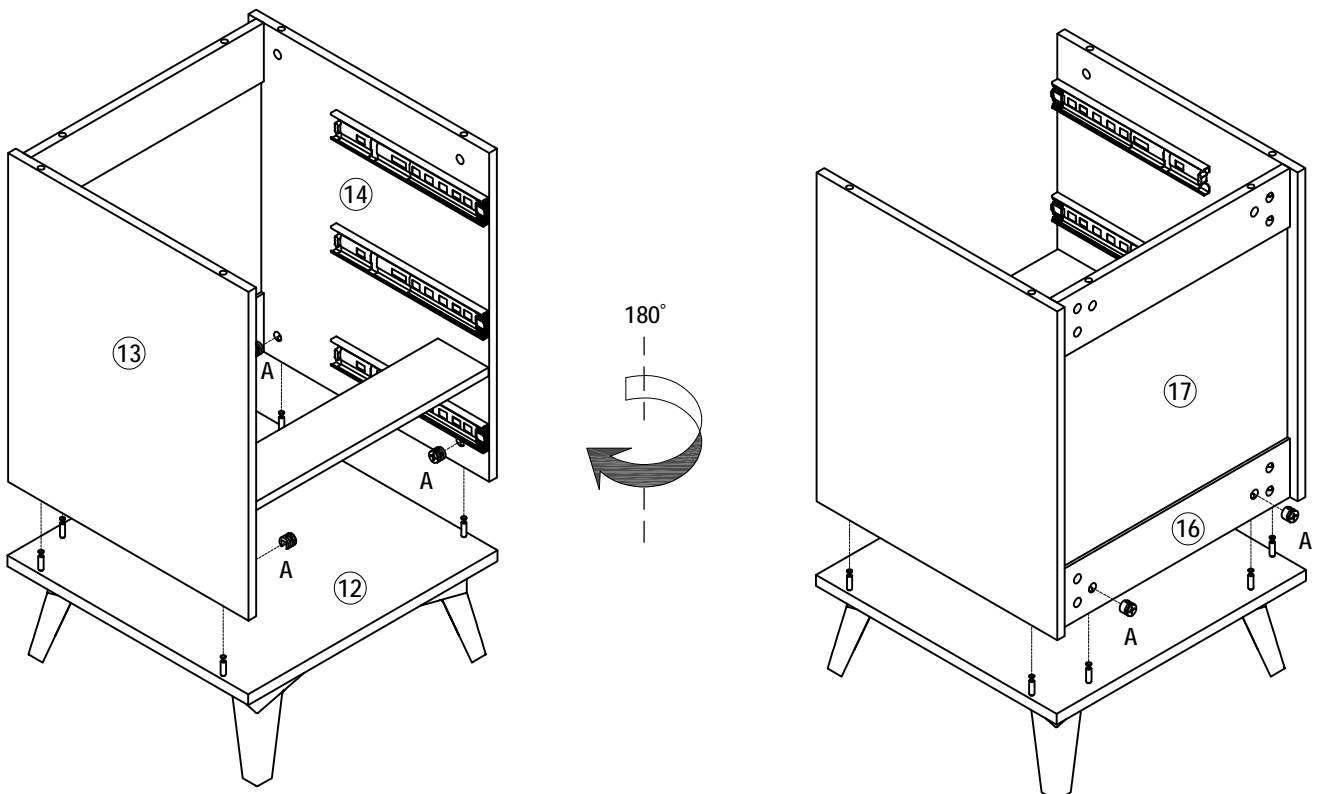
5 ▶

A $\phi 12 \times 10$

X 6





6 ▶

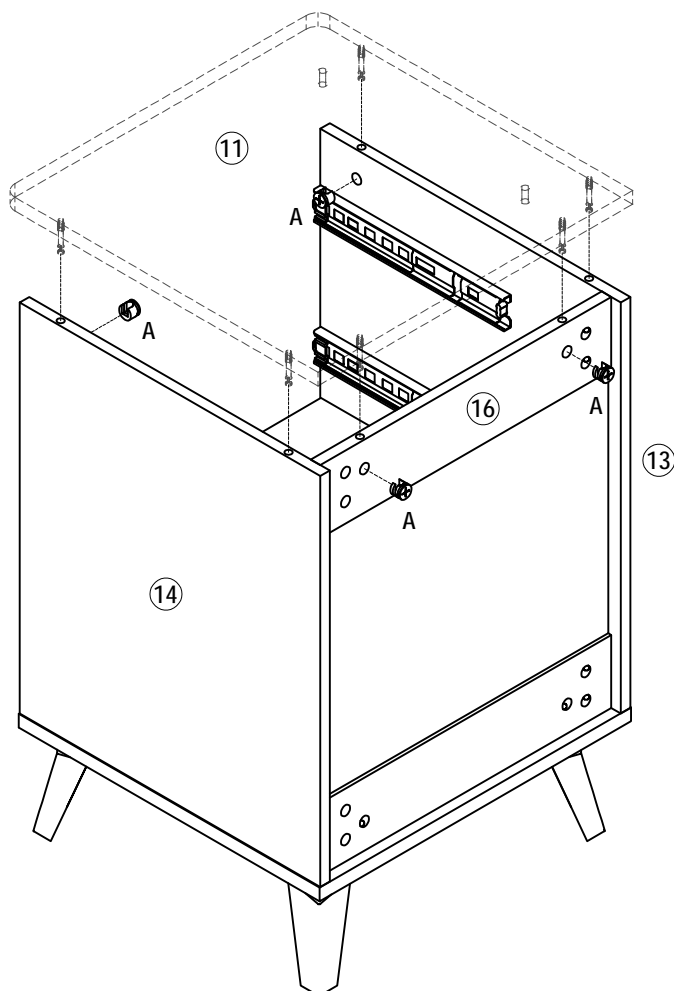
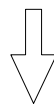
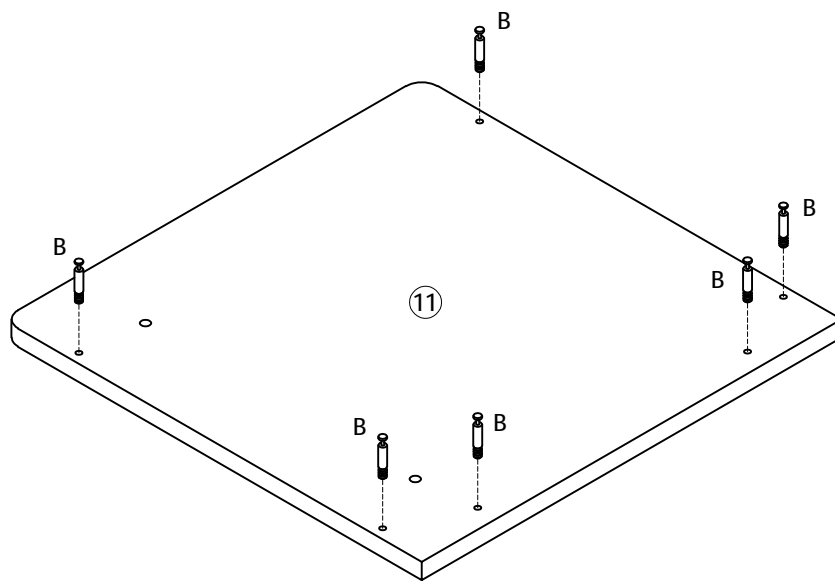
A $\phi 12 \times 10$

X 6



Installation Steps

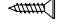

7 ▶

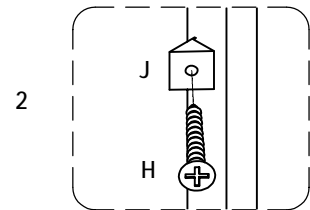
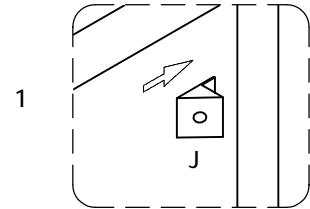
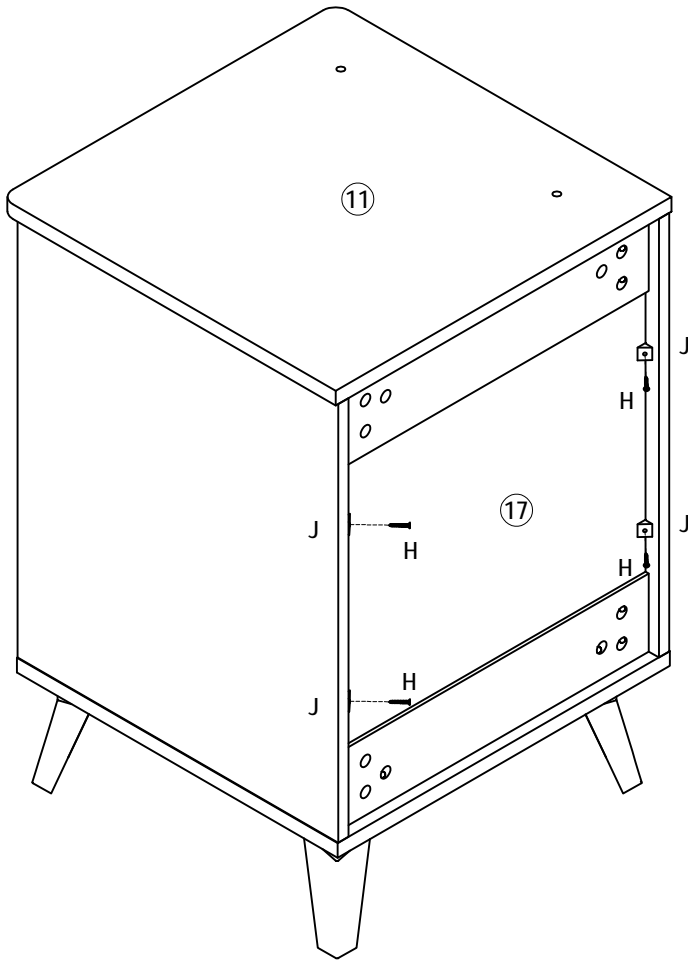
A	$\phi 12 \times 10$	B	$\phi 7 \times 40$
			
	X 6		X 6



Installation Steps

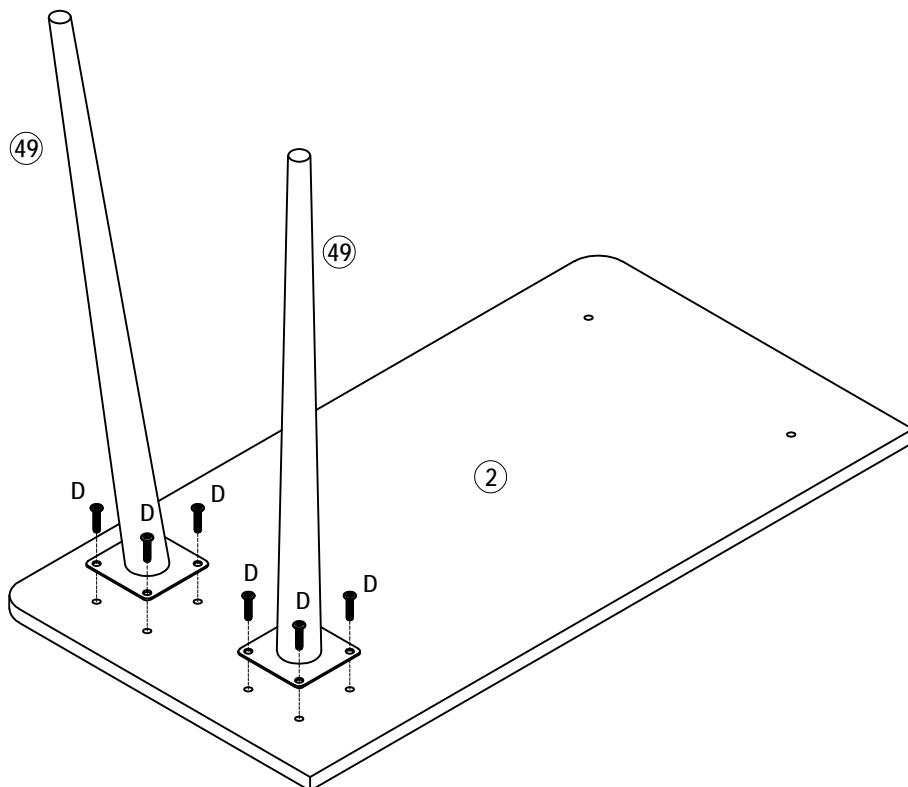
8 ▶

H	M3.5*16	J	
			
	X 4		X 4



9 ▶

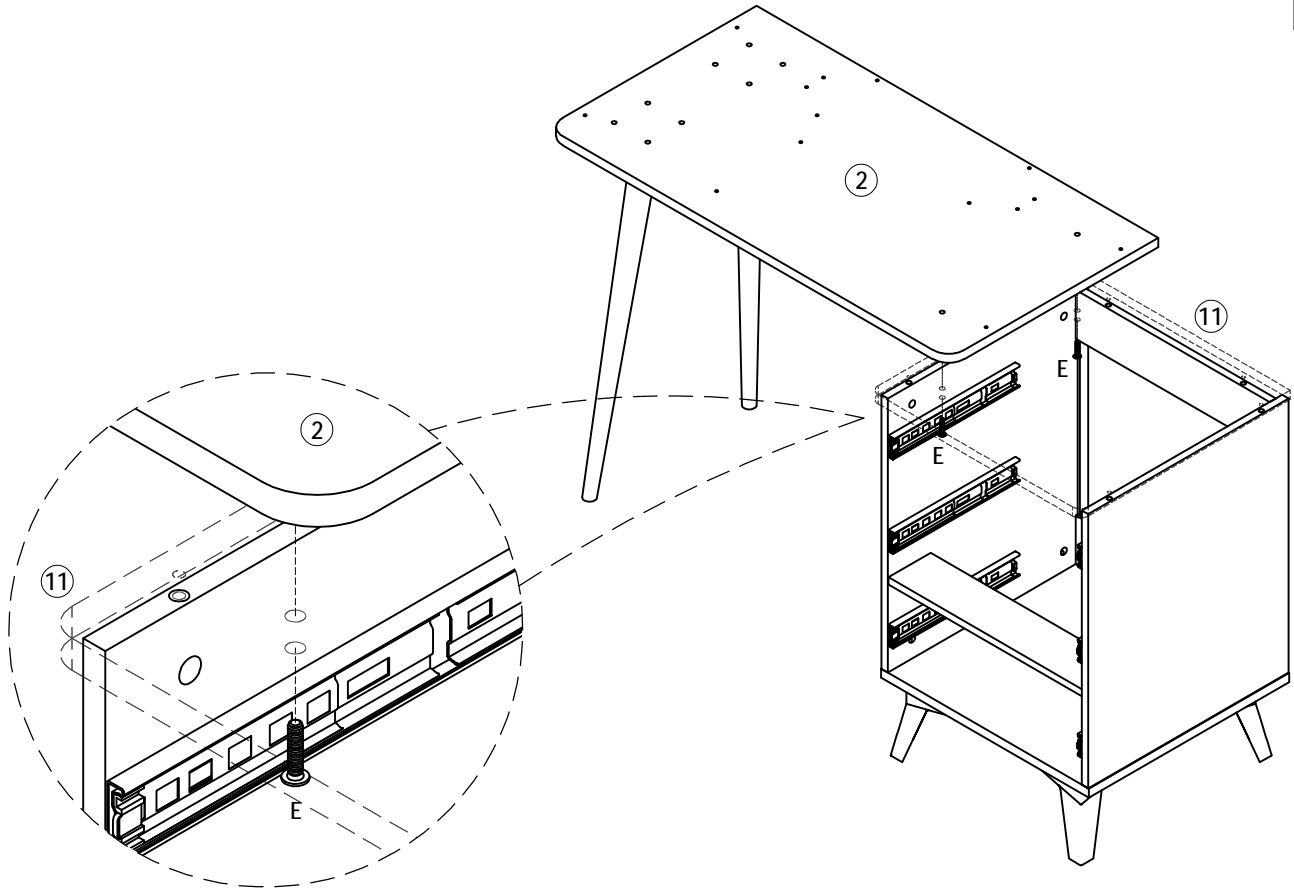
D	M6*15
	
	X 8



Installation Steps

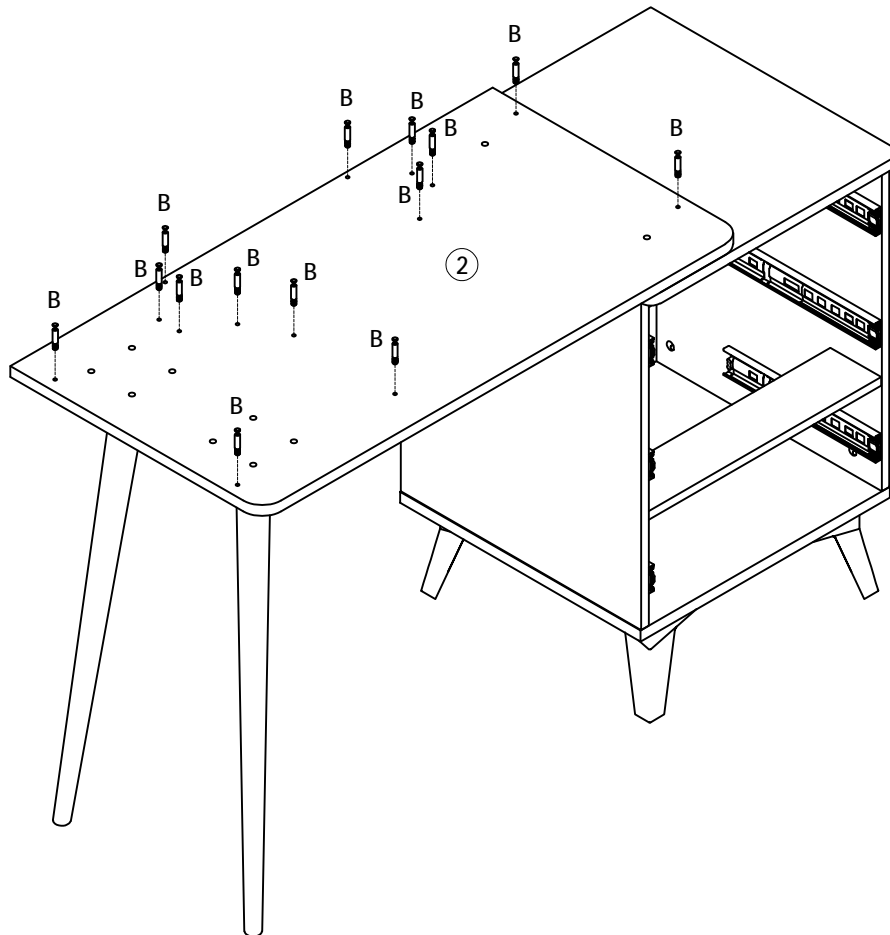
10 ▷

E
M6*30
X 2



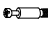


11 ▷

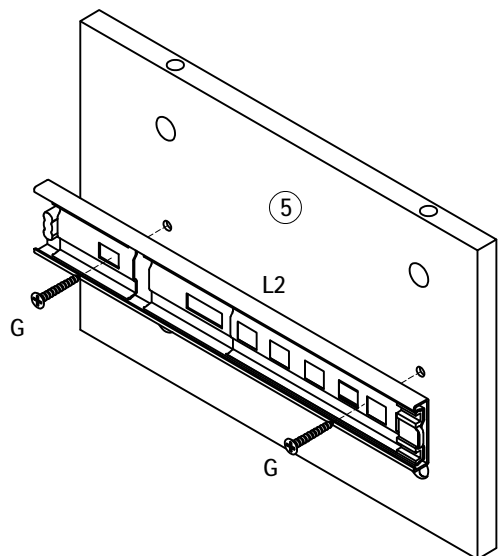
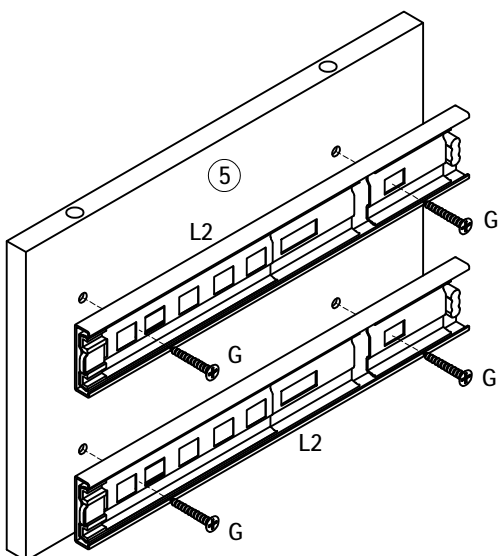
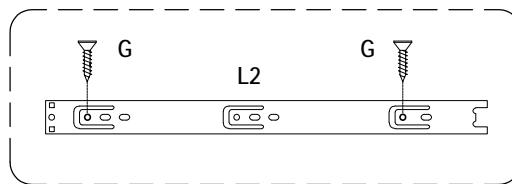
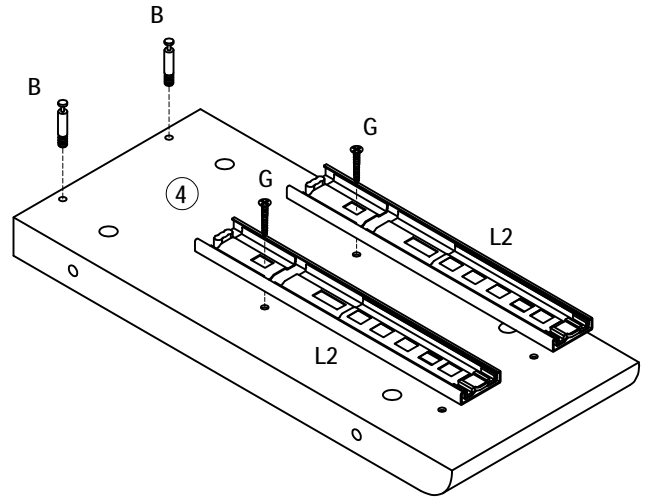
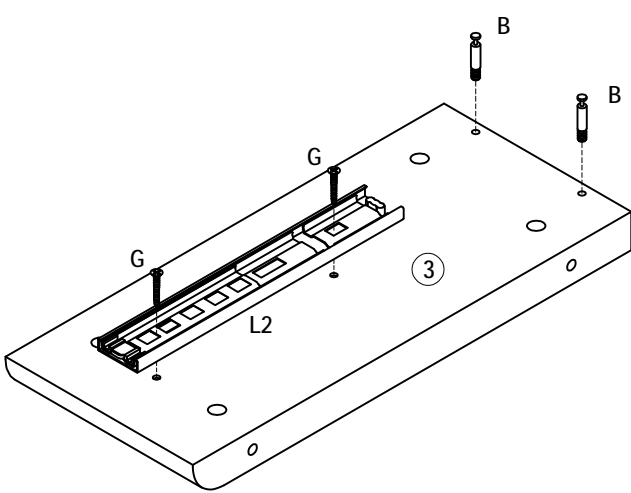
B
Ø7*40
X 14



Installation Steps

12 ▷

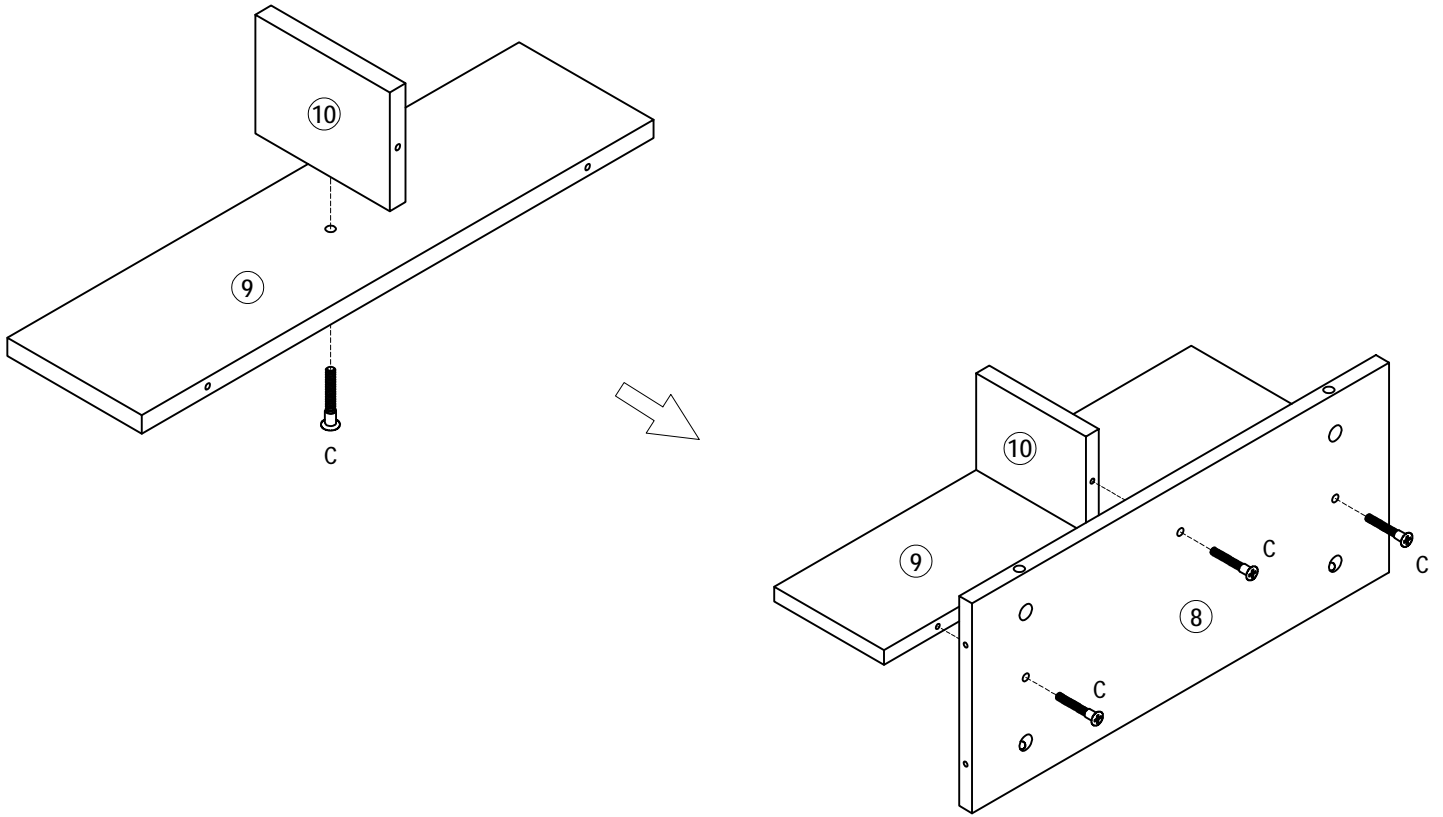
B $\phi 7 \times 40$  X 4	G M3.5*12  X 10	L 10"  X 3
---	---	--



Installation Steps

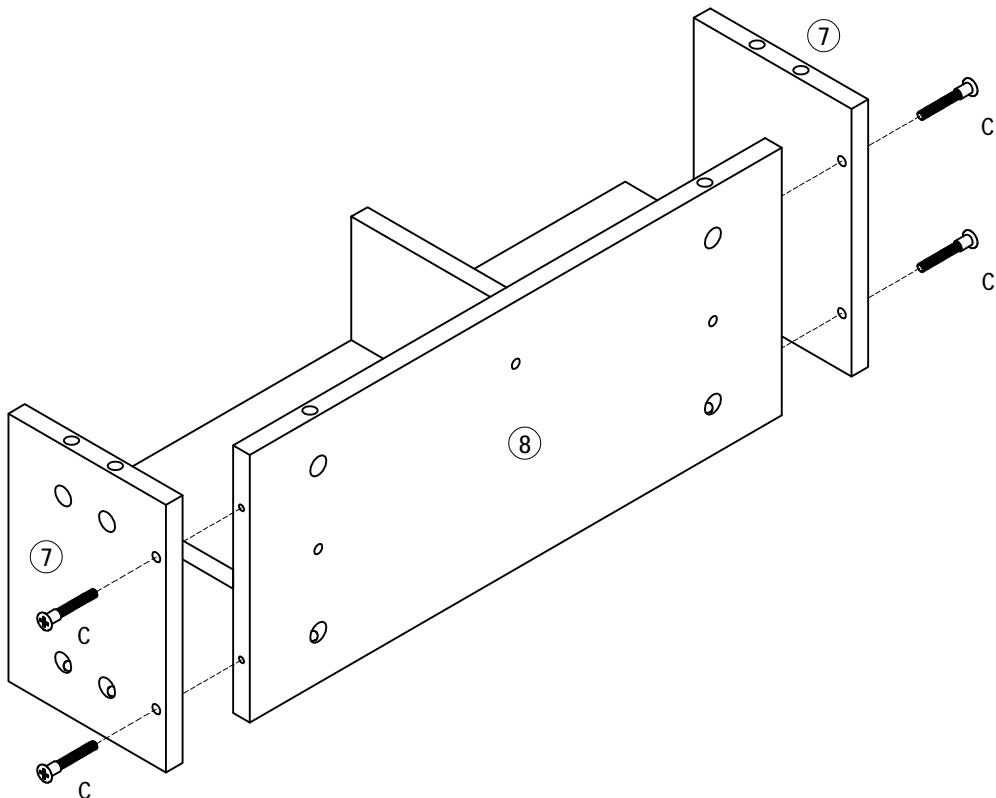
13 ▶

C M5*40
X 4



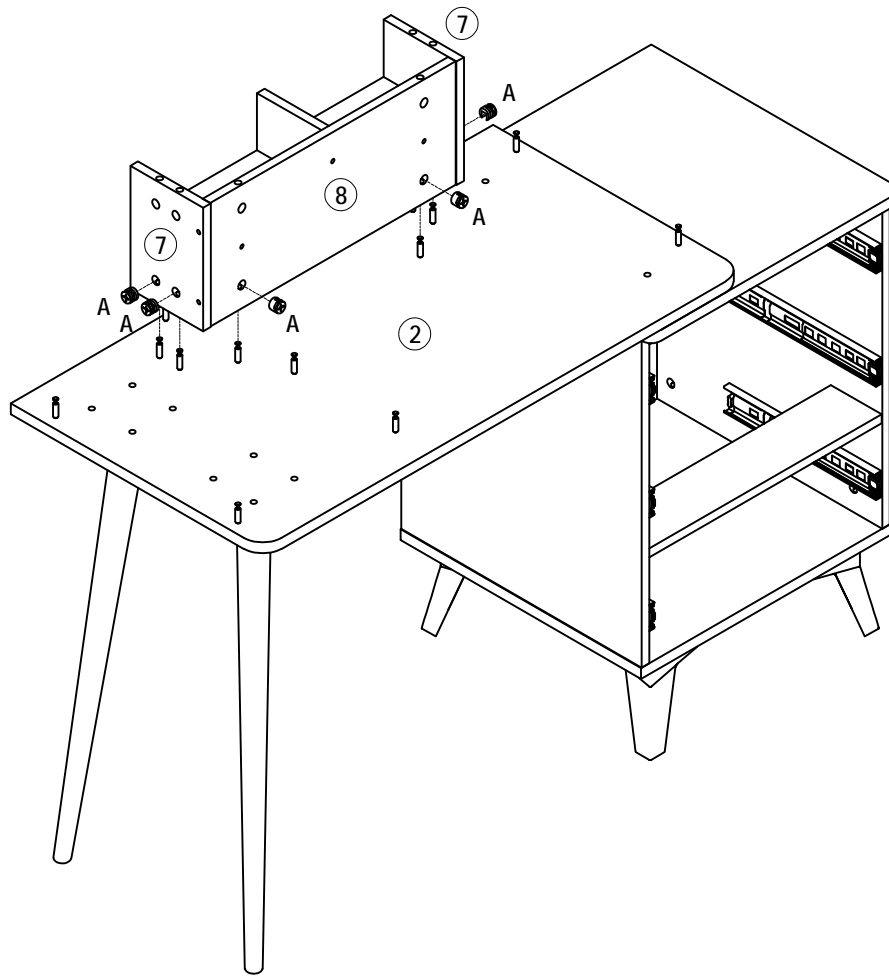
14 ▶


C M5*40
X 4



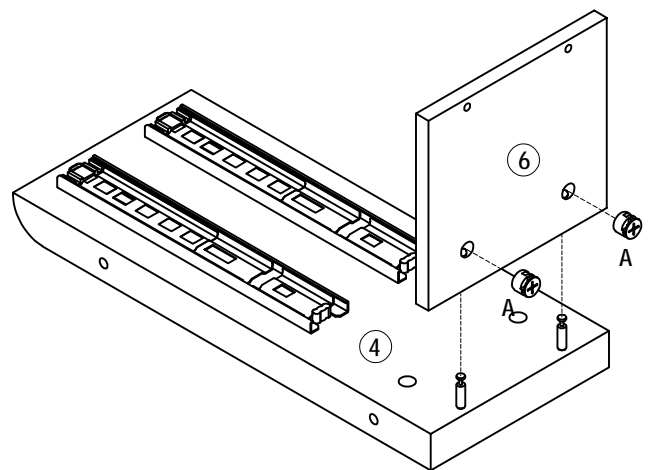
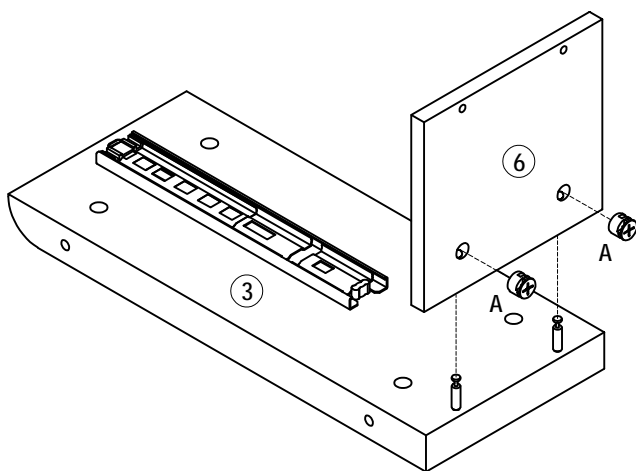
Installation Steps


15 ▶



A $\phi 12 \times 10$

X 6

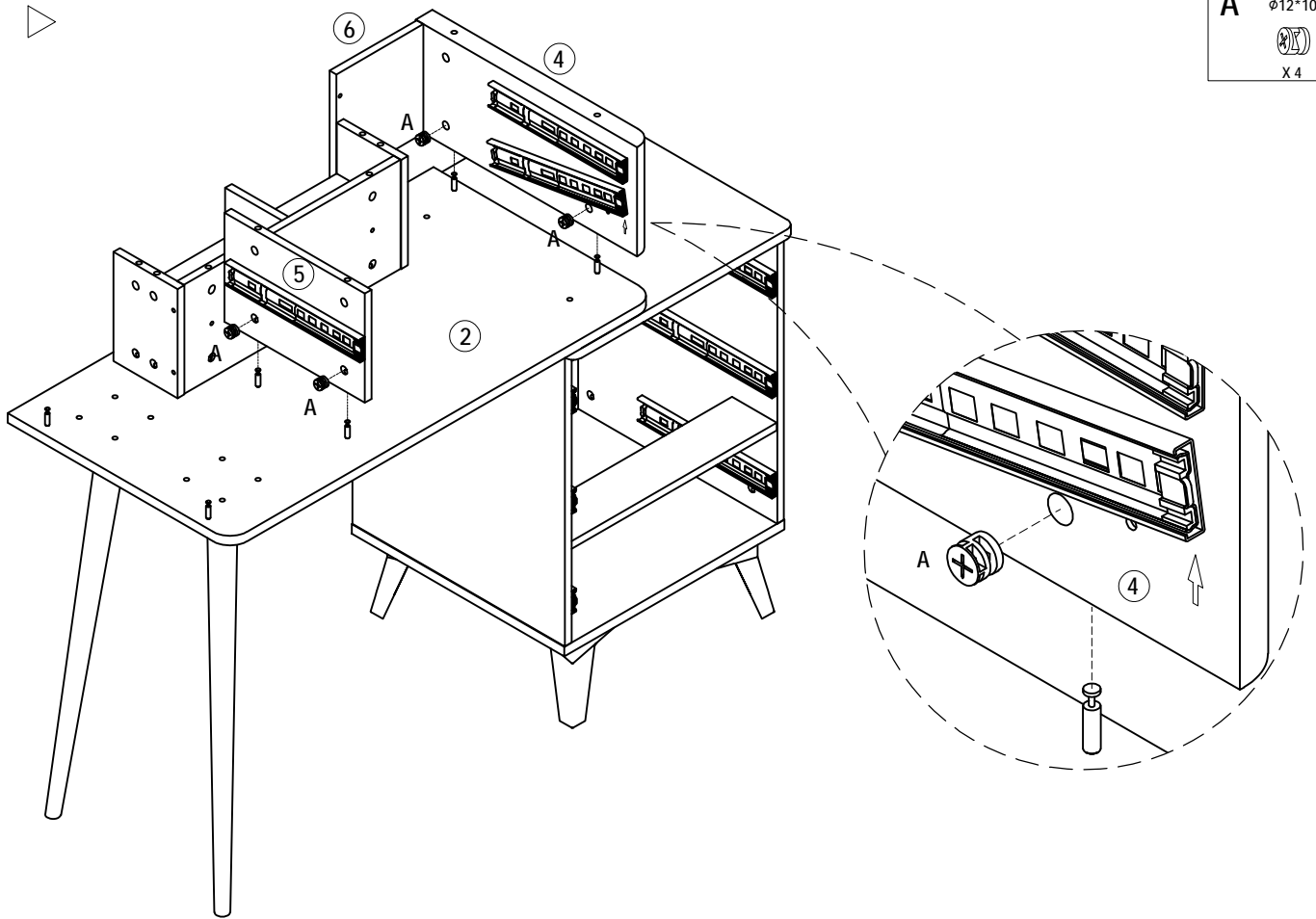
16 ▶



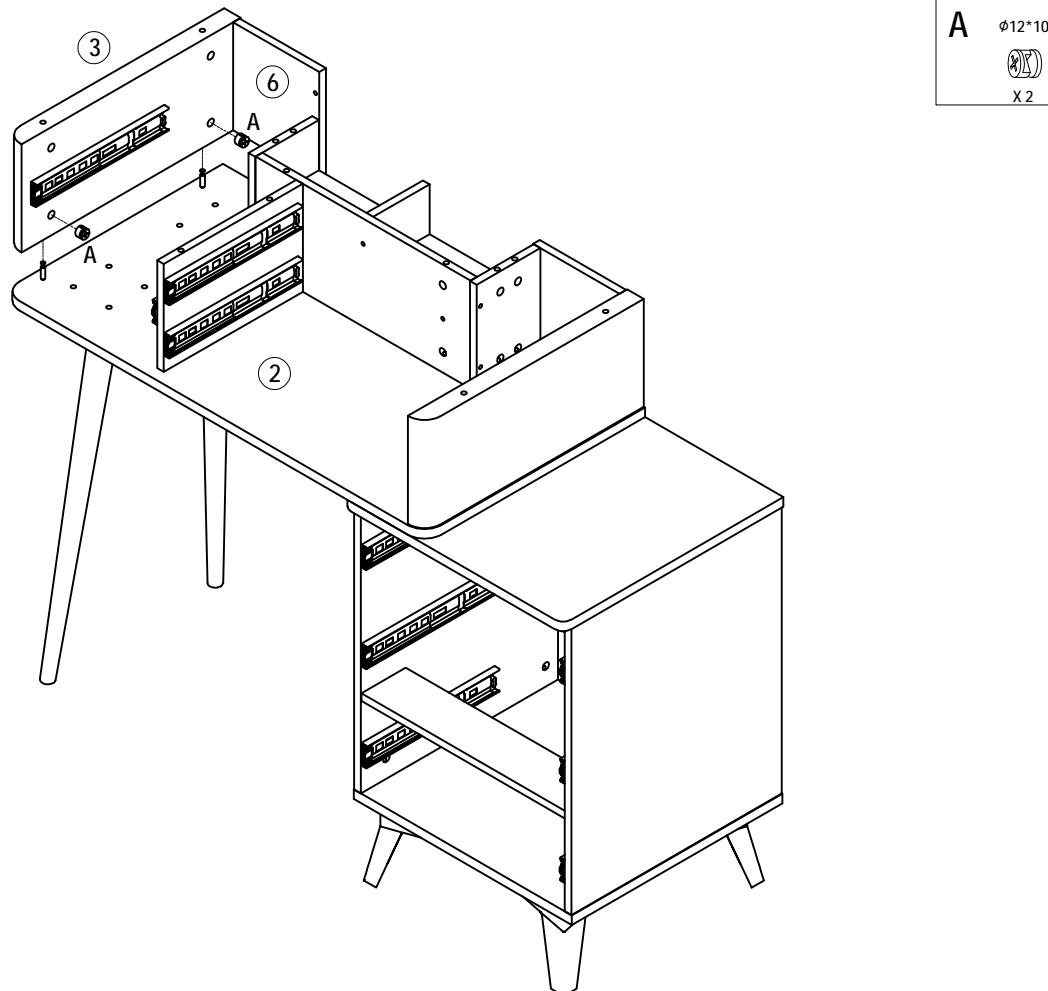
A $\phi 12 \times 10$

X 4

Installation Steps

17 ▶

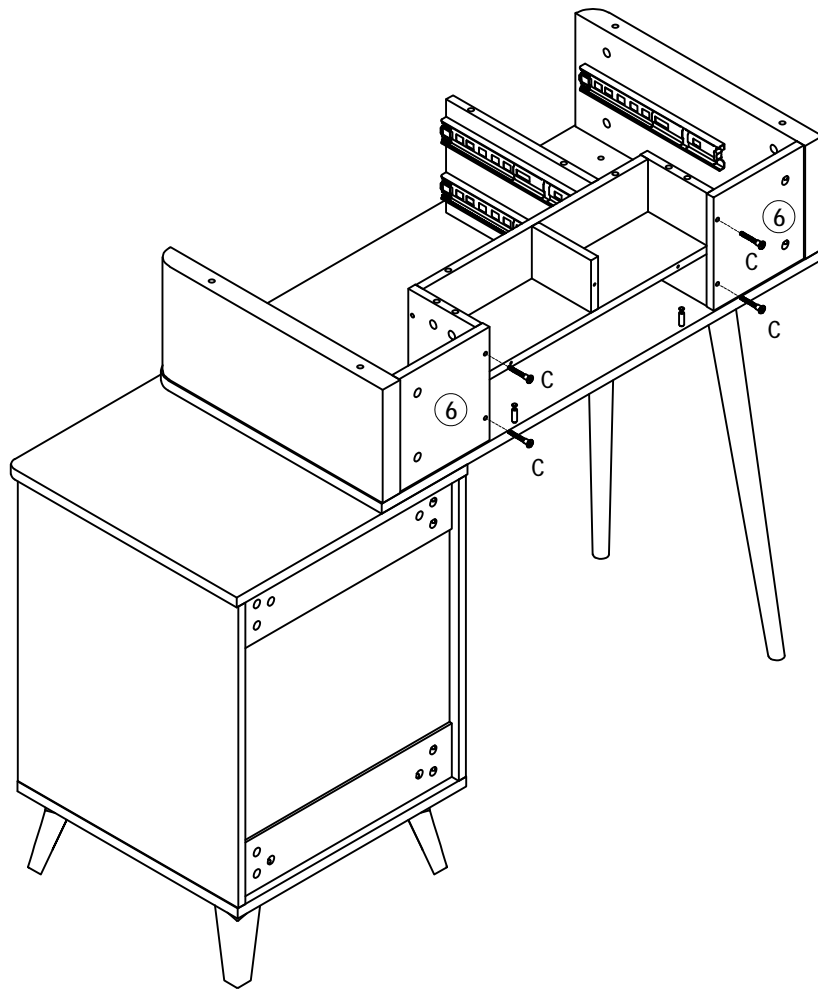


18 ▶



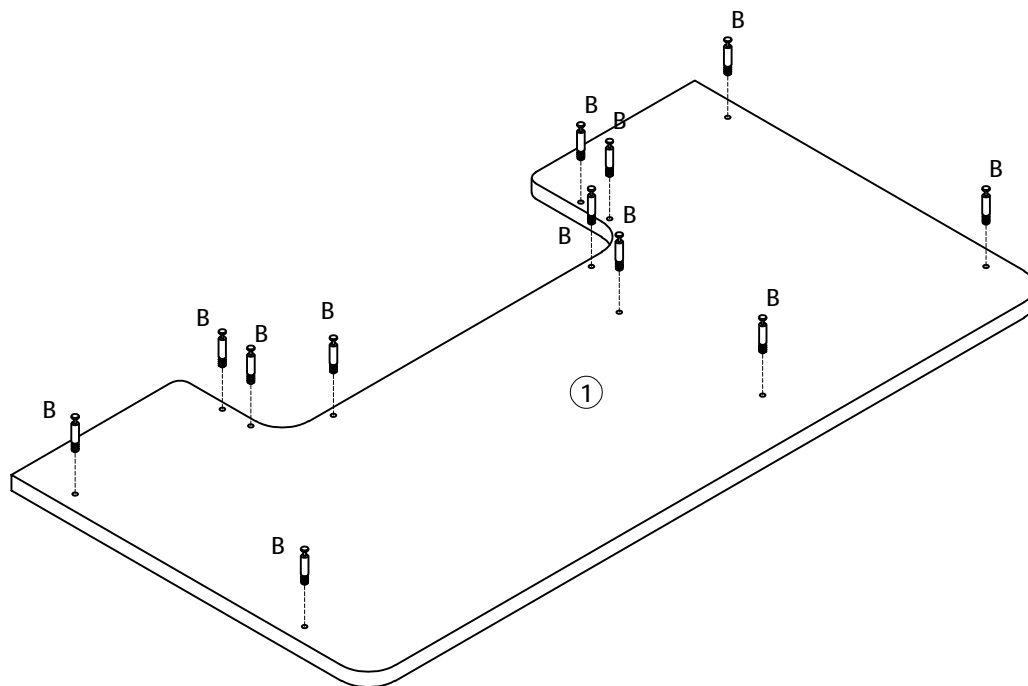
Installation Steps

19 ▷



C M5*40
X 4

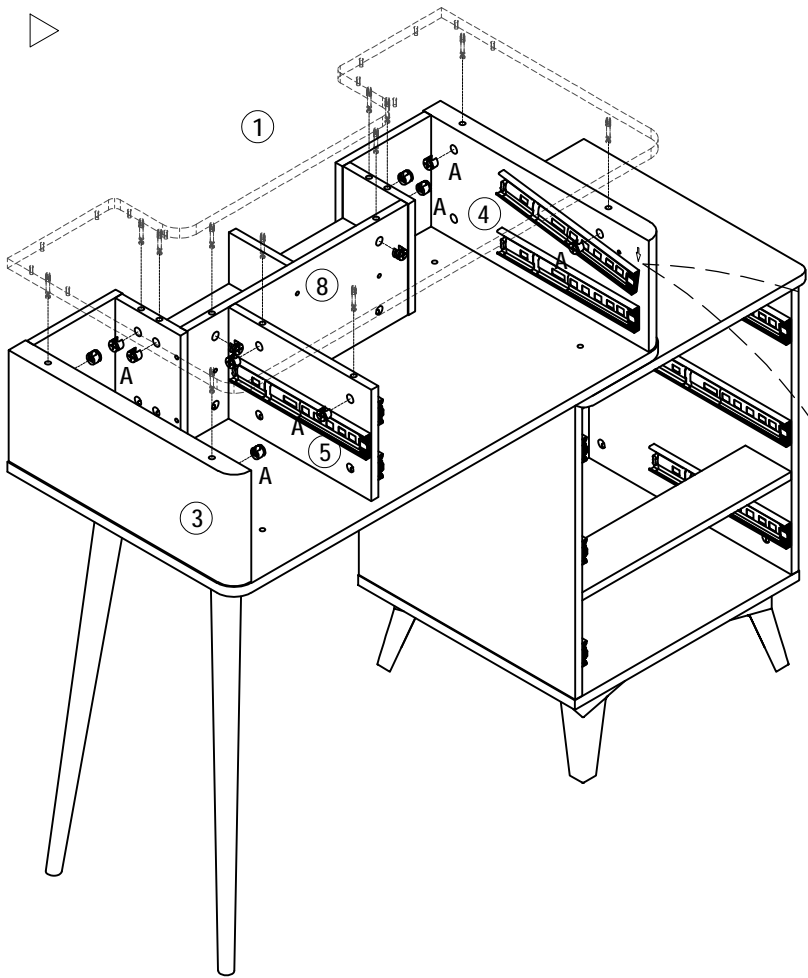
20 ▷




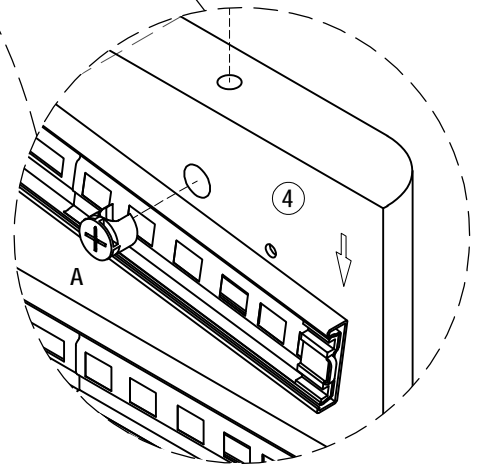
B $\varnothing 7 \times 40$
X 12

Installation Steps

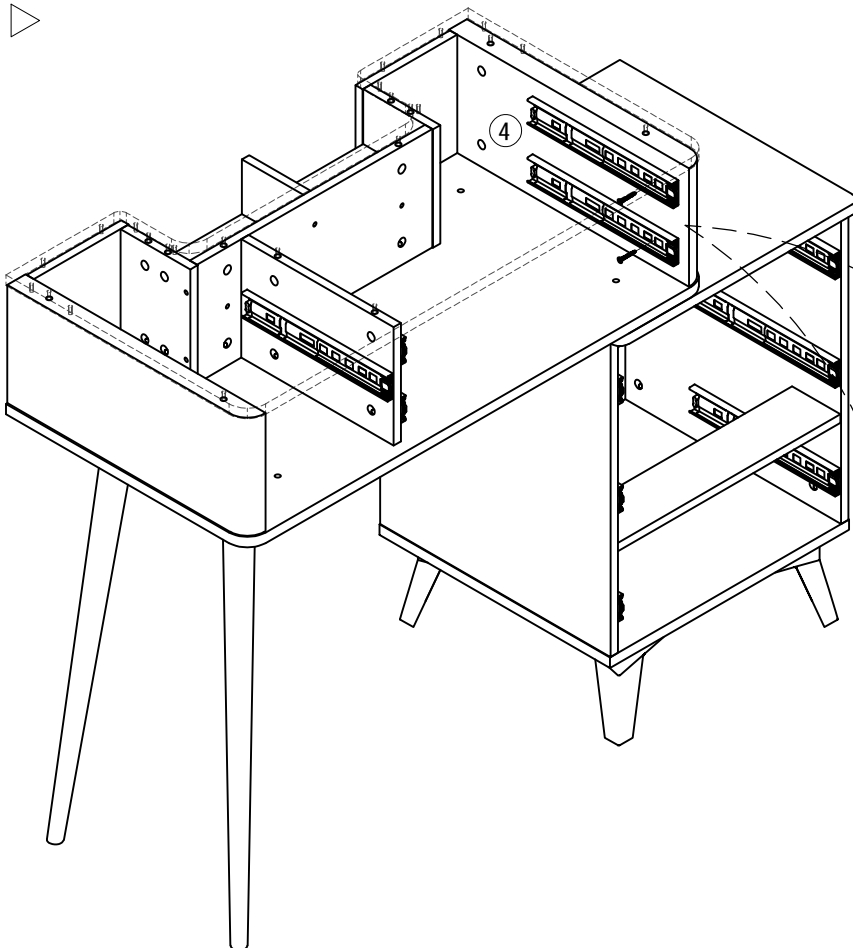
21 ▶




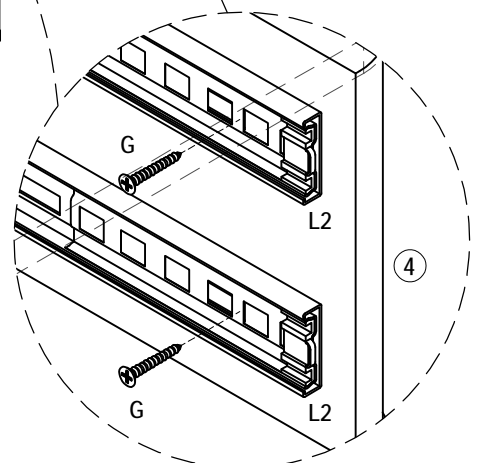
A $\varnothing 12 \times 10$

X 12



22 ▶

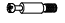


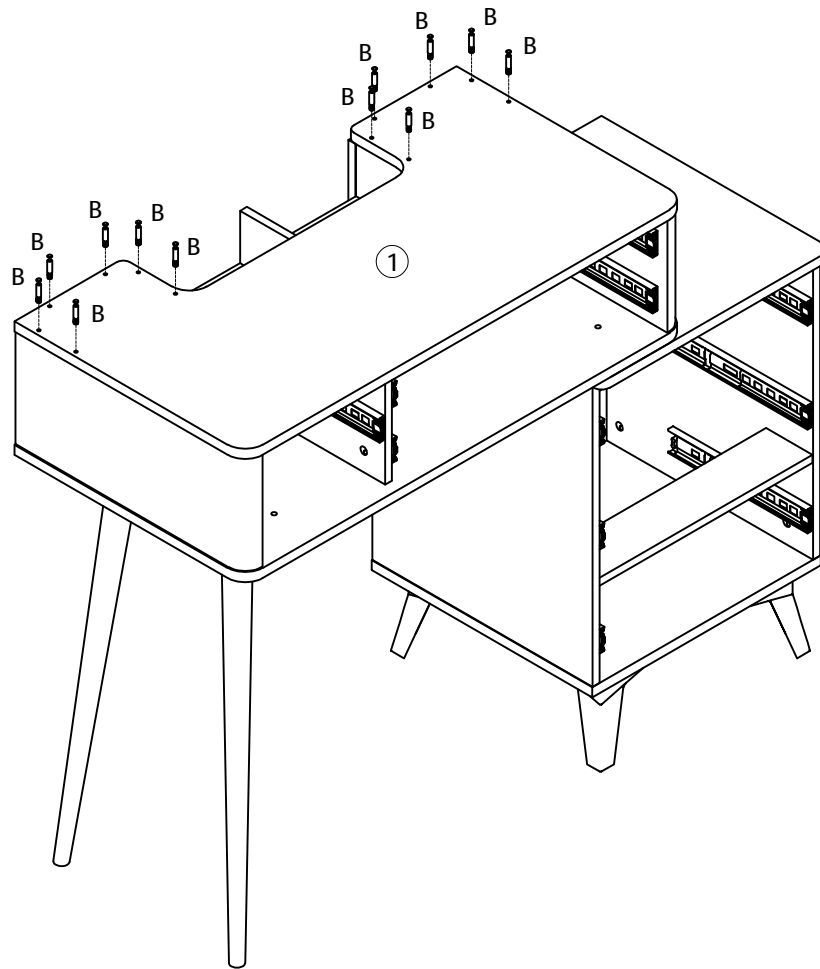
G M3.5 \times 12

X 2



Installation Steps



23 ▶

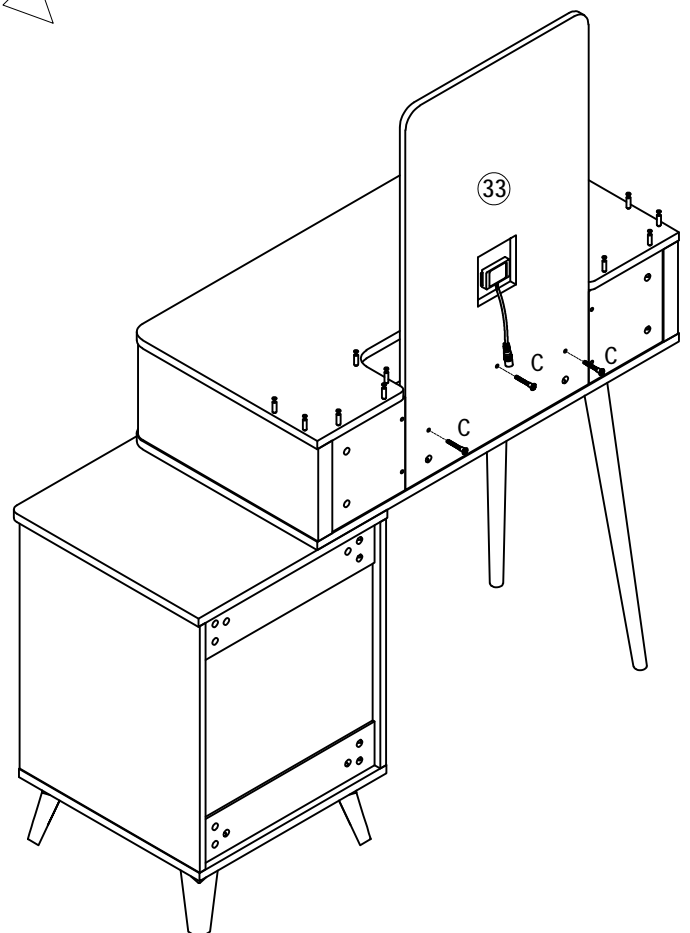
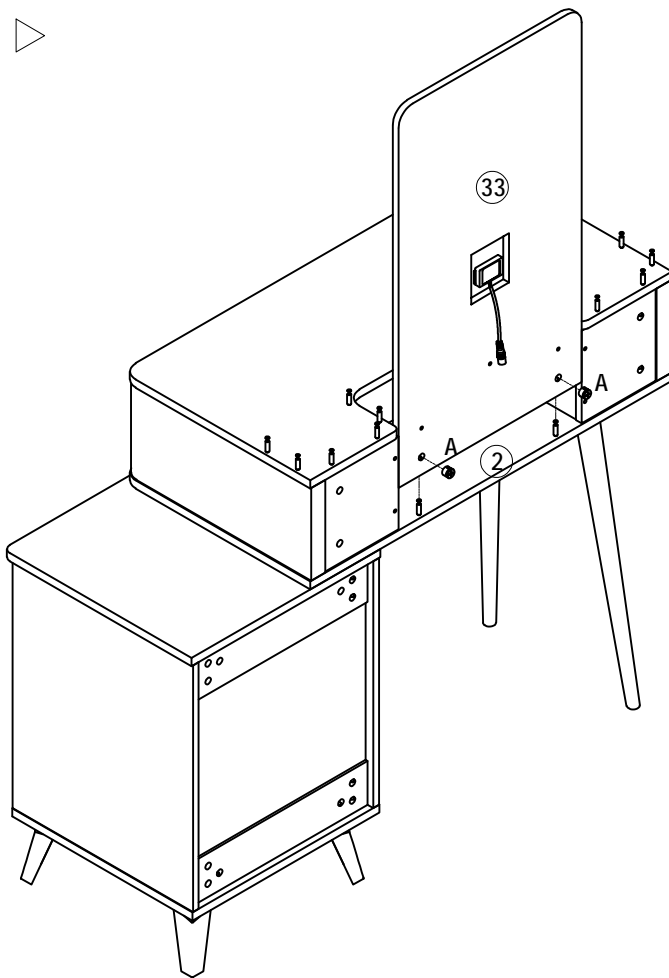
B $\phi 7 \times 40$

X 12



Installation Steps



24 ▶

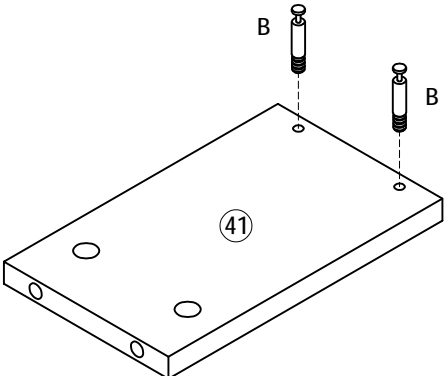
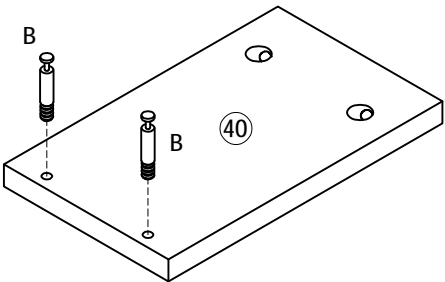
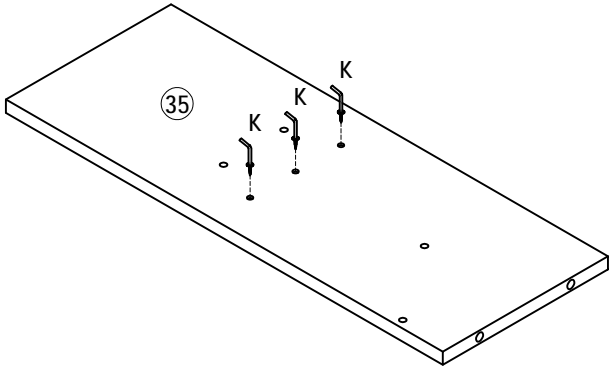
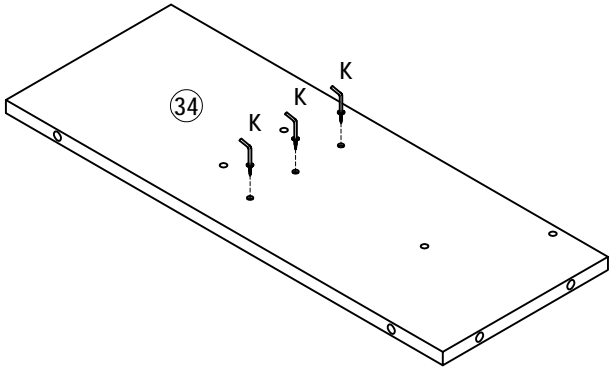
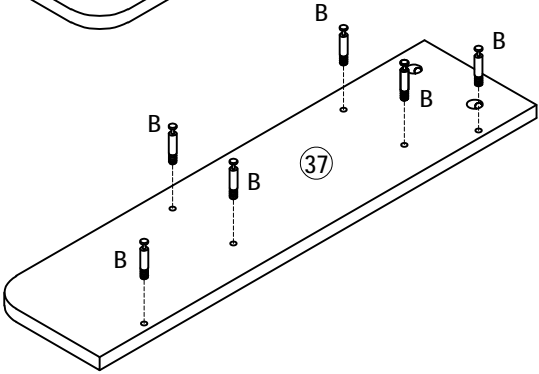
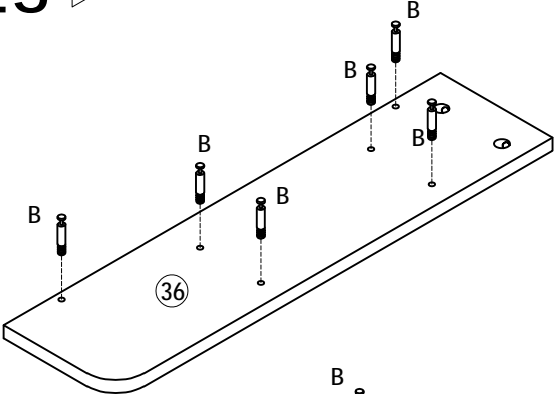
A	∅12*10  X 2	C	M5*40  X 3
----------	--	----------	---



Installation Steps



25 ▷

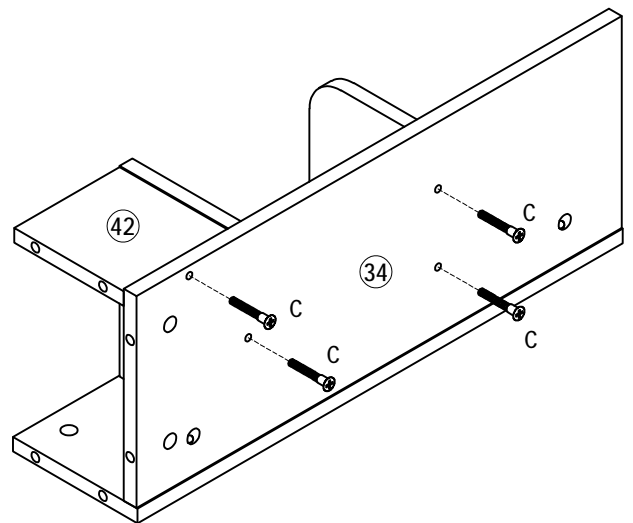
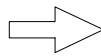
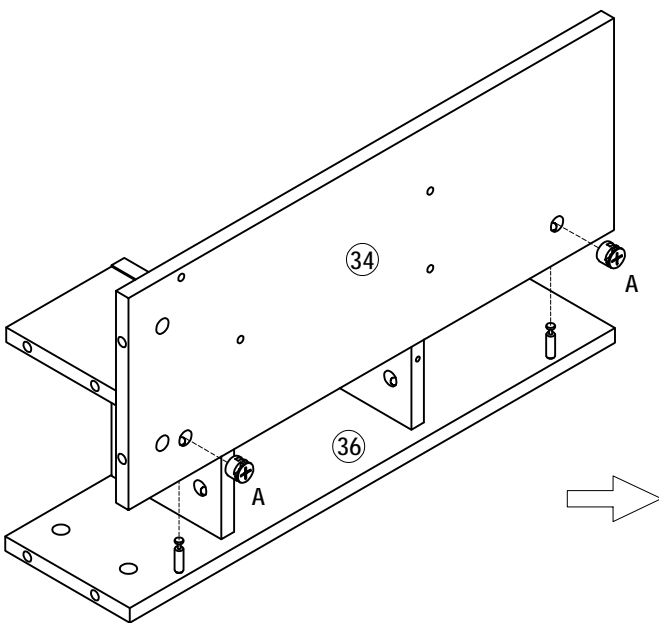
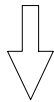
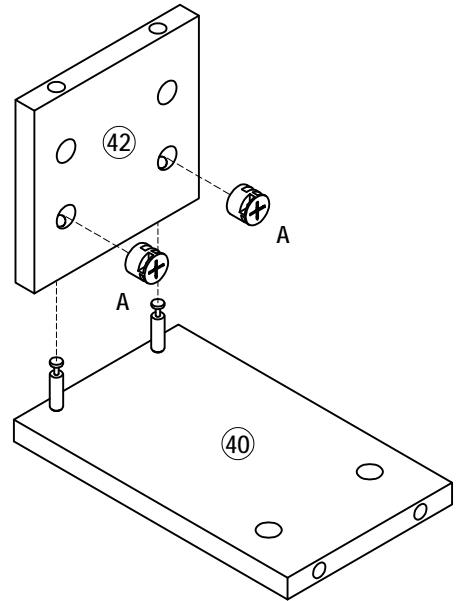
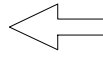
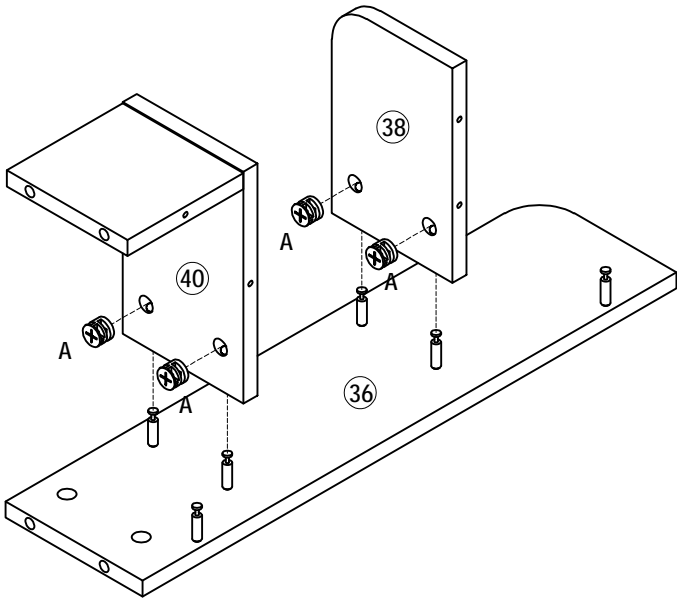
B	Ø7*40	K	3/4
			
	X 16		X 6



Installation Steps



26 ▶

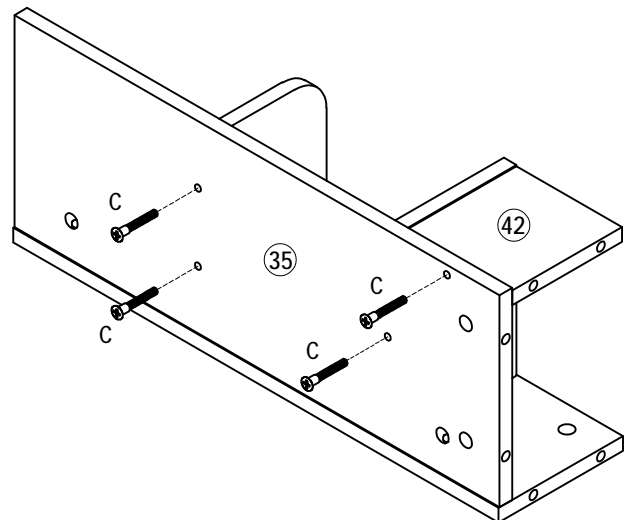
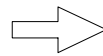
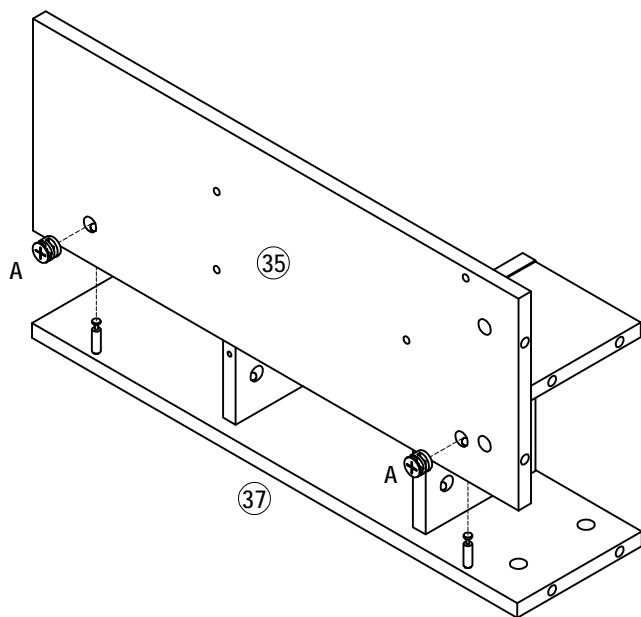
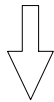
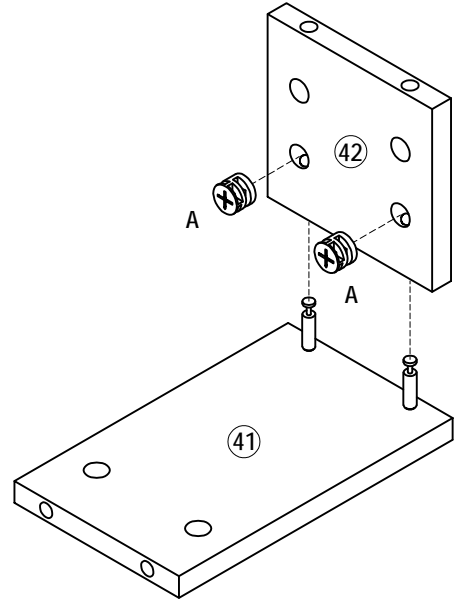
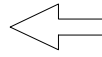
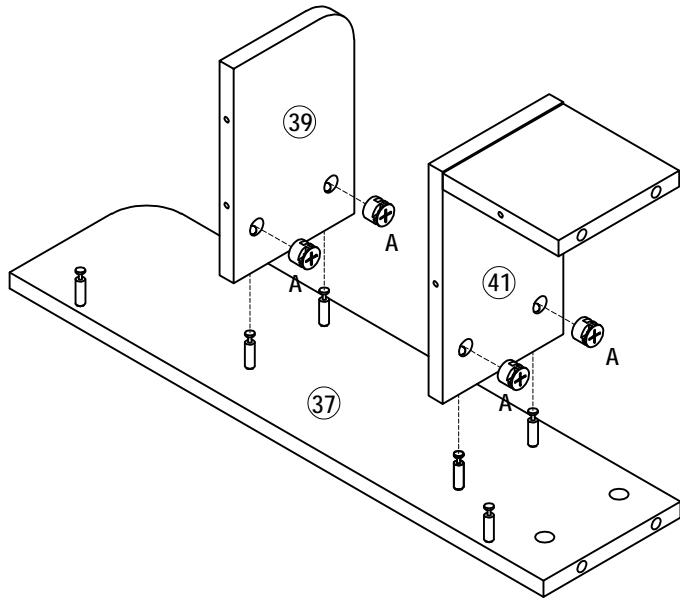
A	∅12*10  X 8	C	M5*40  X 4
----------	--	----------	---



Installation Steps

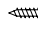
27 ▷

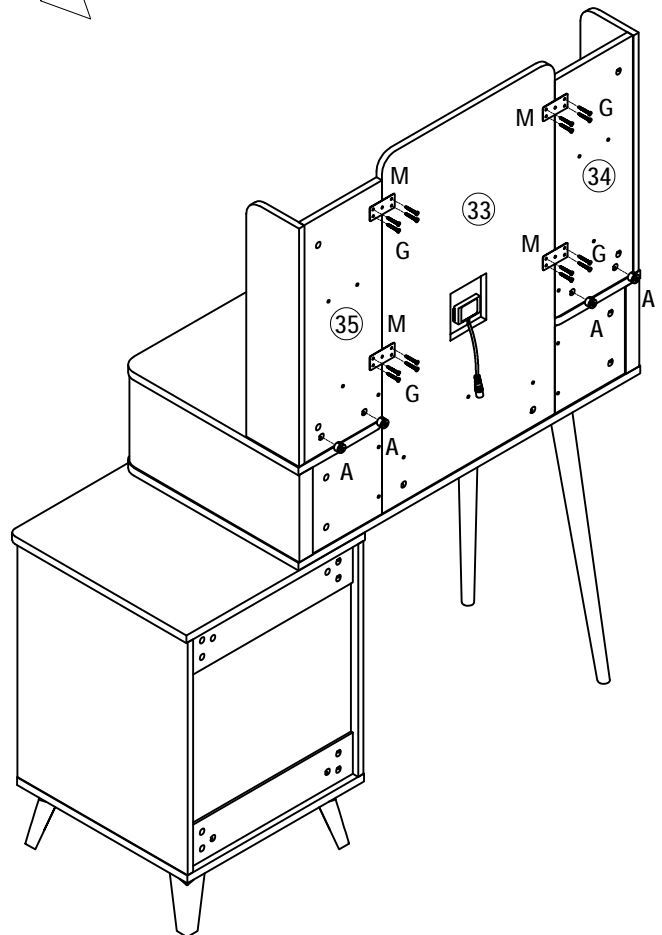
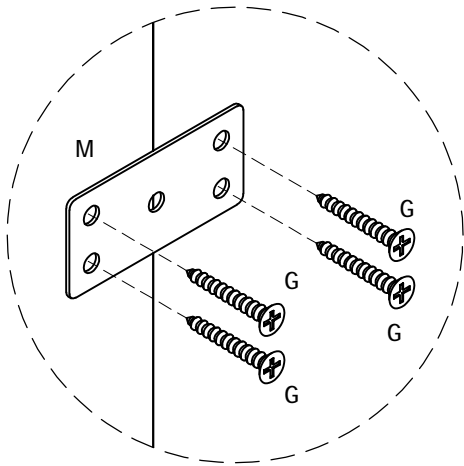
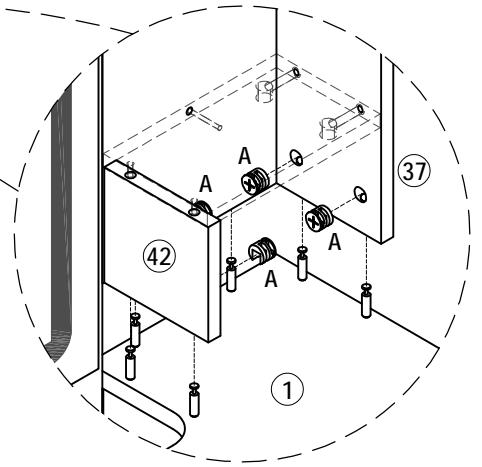
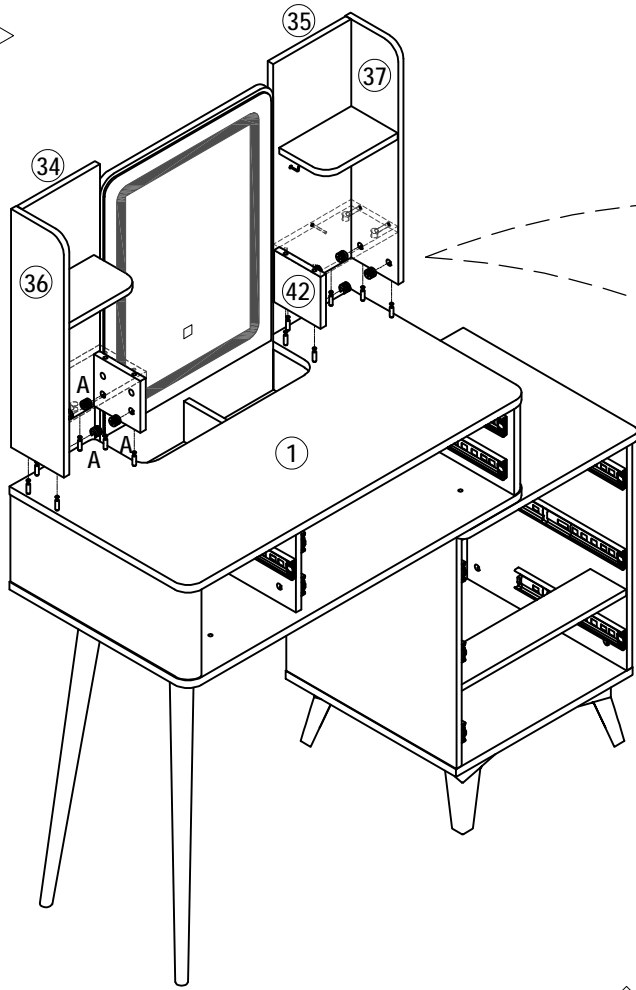
A	∅12*10  X 8	C	M5*40  X 4
----------	--	----------	---



Installation Steps

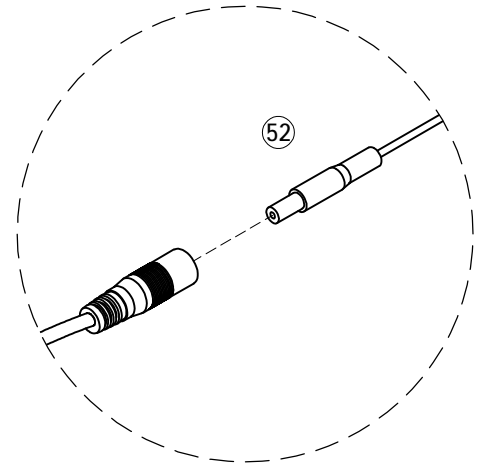
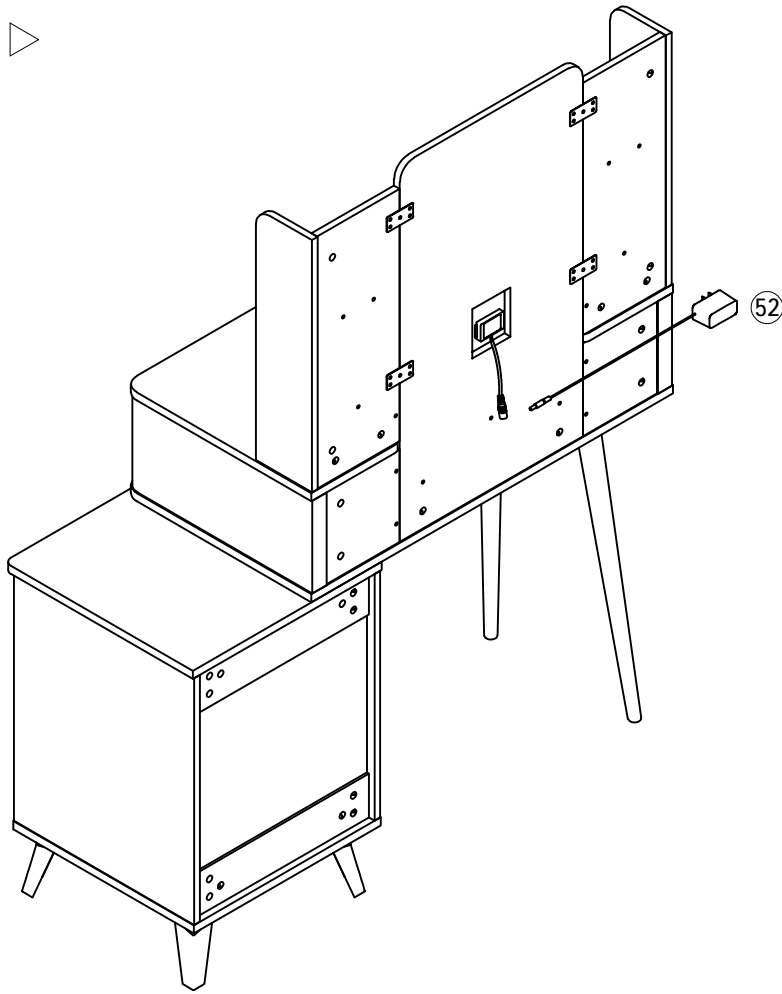
28 ▶

A	$\phi 12 \times 10$	G	M3.5*12	M	
					
	X 12		X 16		X 4



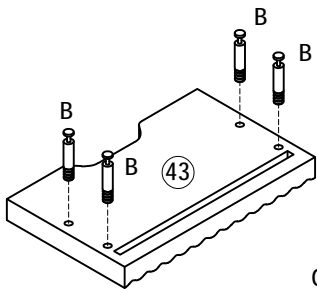
Installation Steps

29 ▷

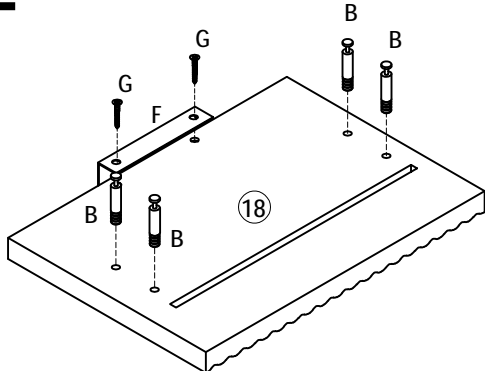
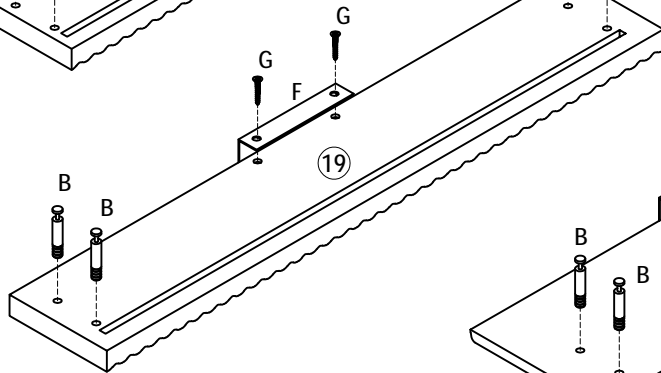


30 ▷

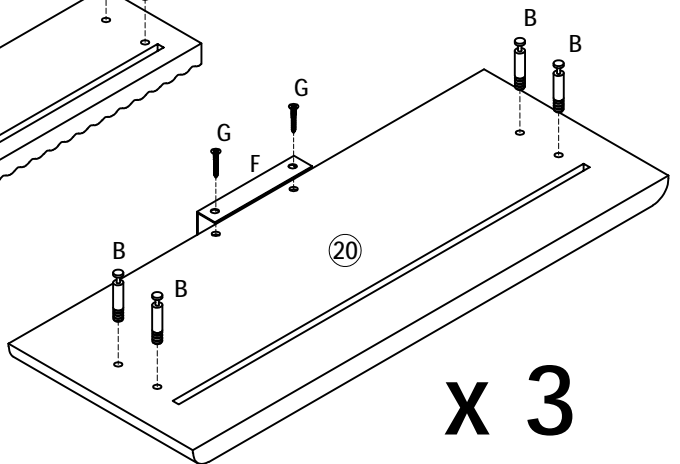
x 2






x 2





x 3

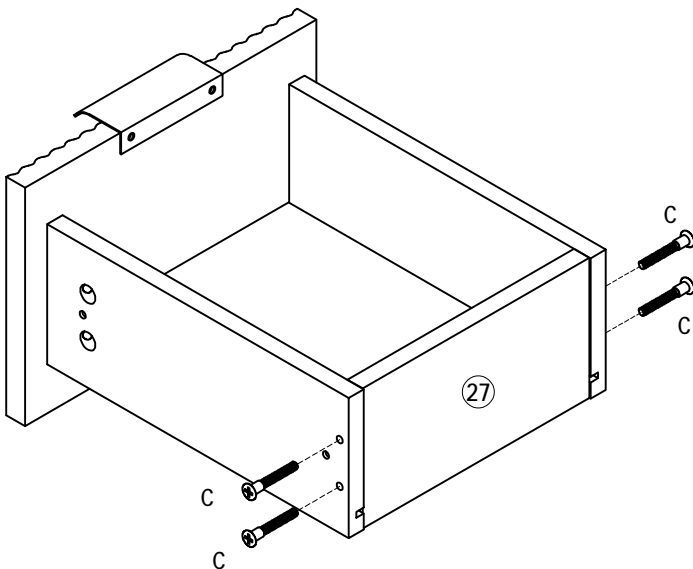
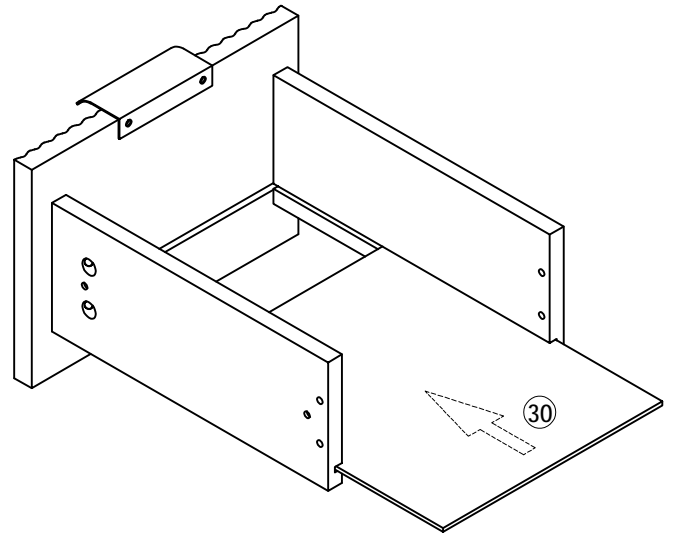
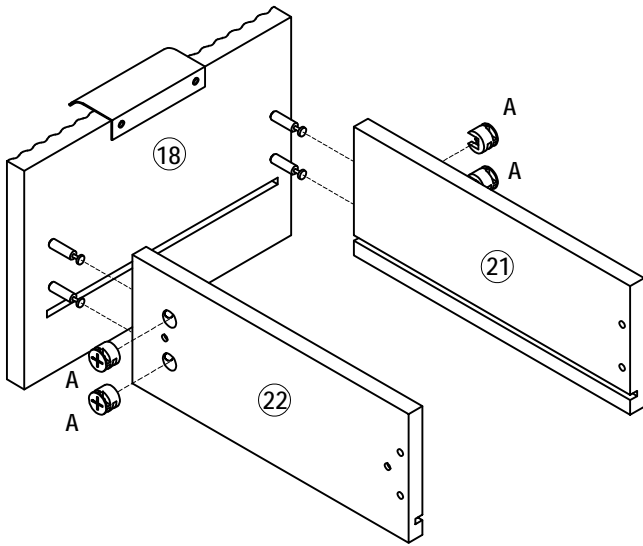


B	$\varnothing 7 \times 40$	F	64mm	G	M3.5 \times 12
					
X 32		X 6		X 12	

Installation Steps



31 ▶

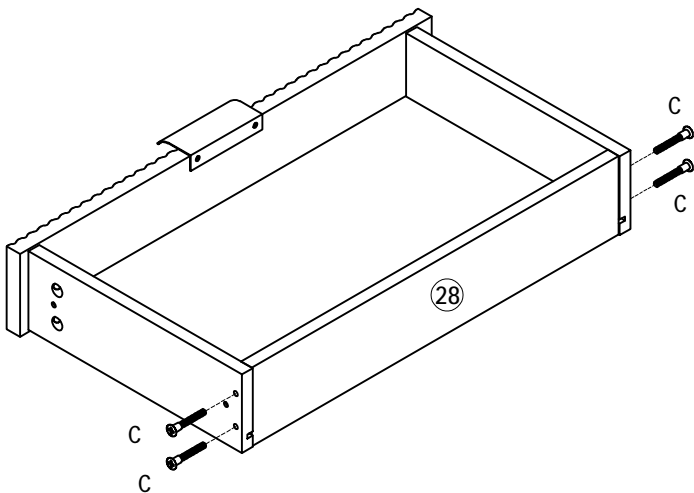
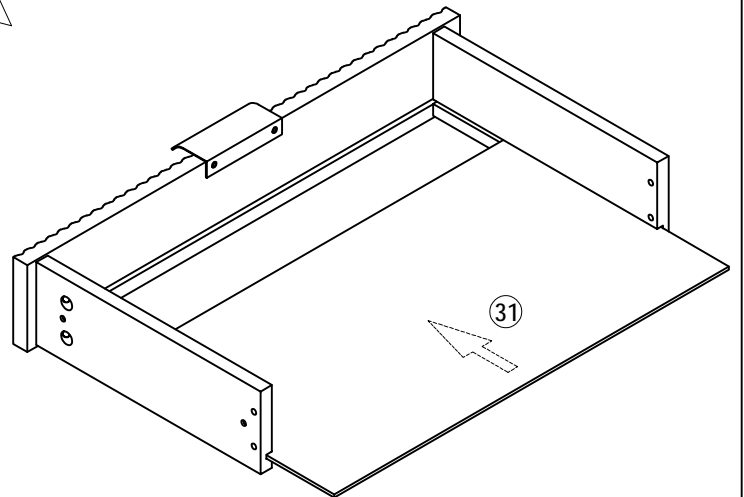
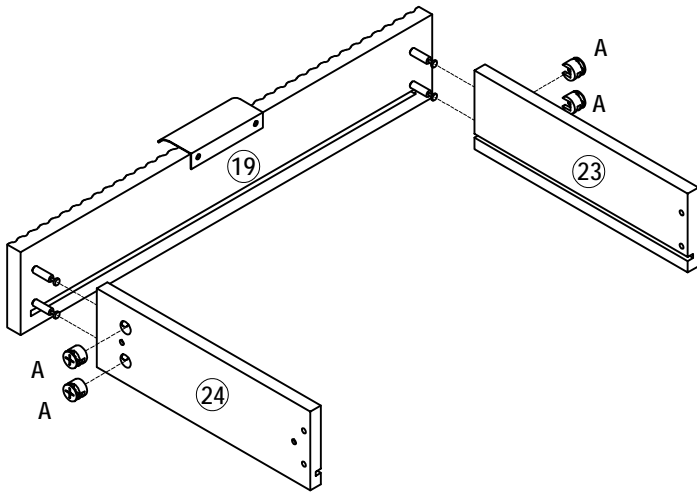
A	$\phi 12 \times 10$	C	M5 \times 40
			
	X 4		X 4



Installation Steps

32 ▶



A	∅12*10  X 8	C	M5*40  X 8
----------	--	----------	---

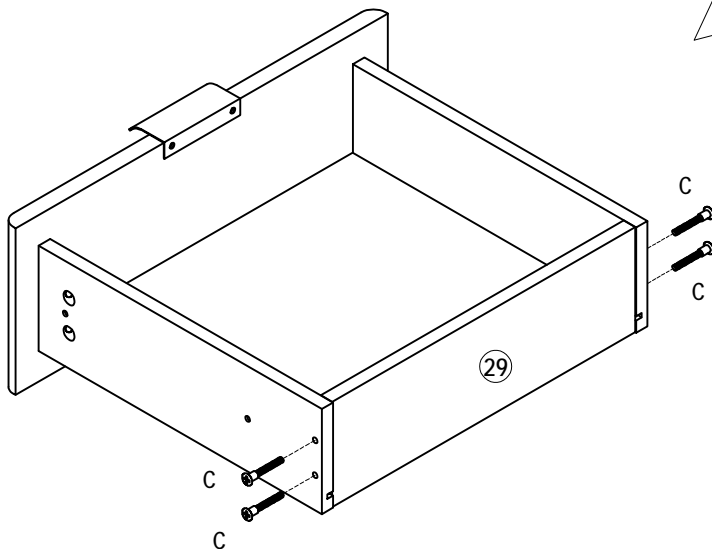
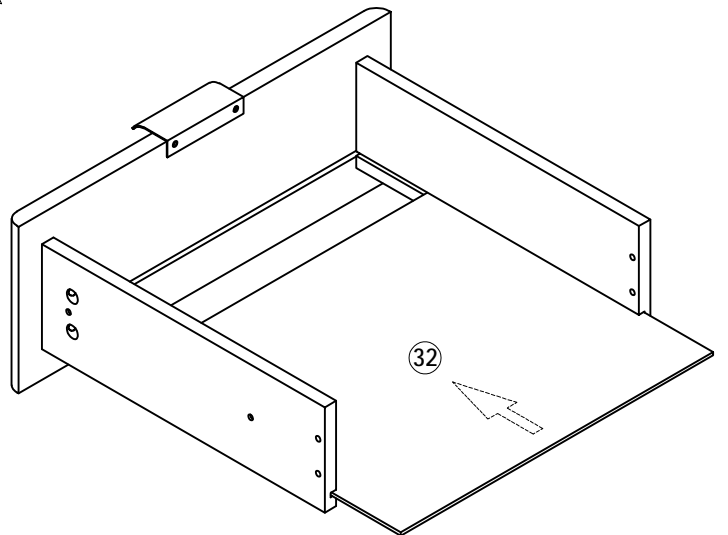
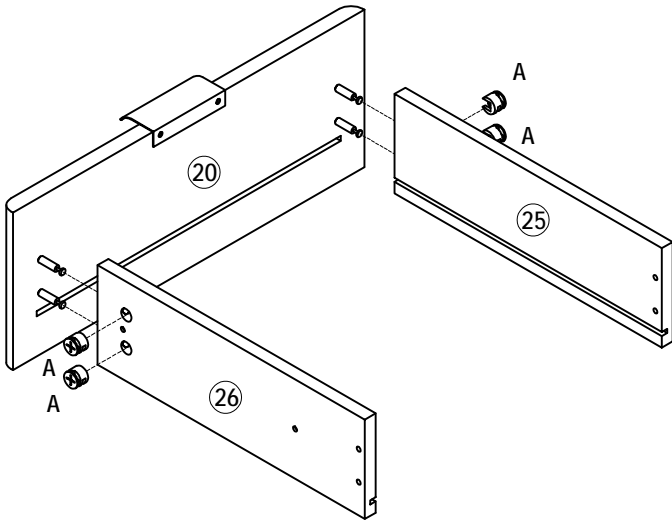


x 2

Installation Steps

33 ▷



A	∅12*10  X 12	C	M5*40  X 12
----------	---	----------	--

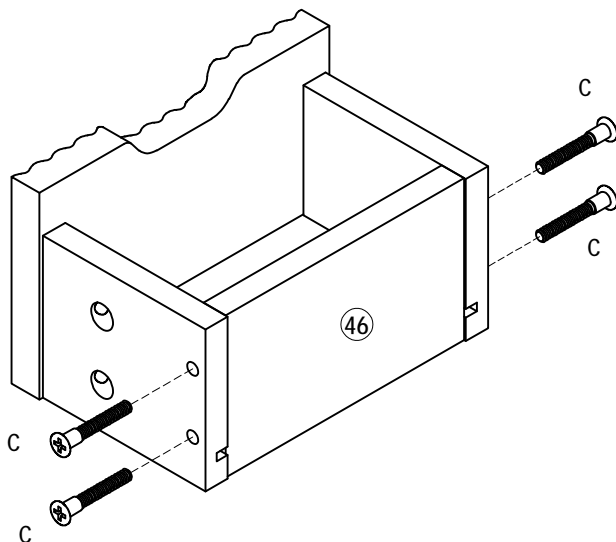
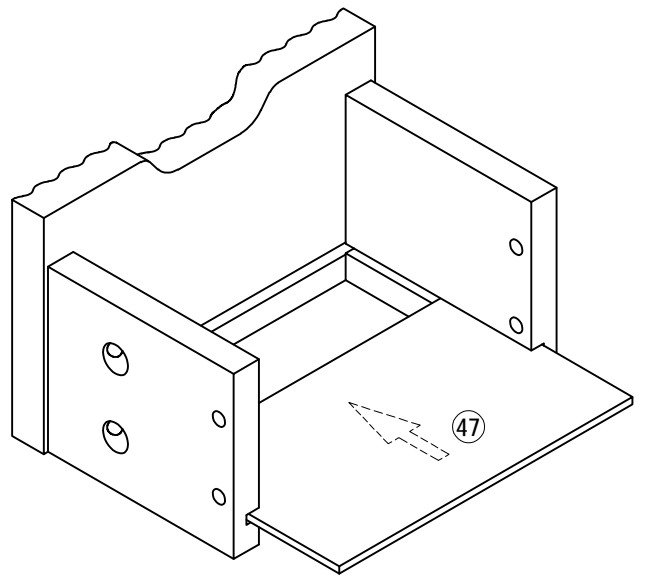
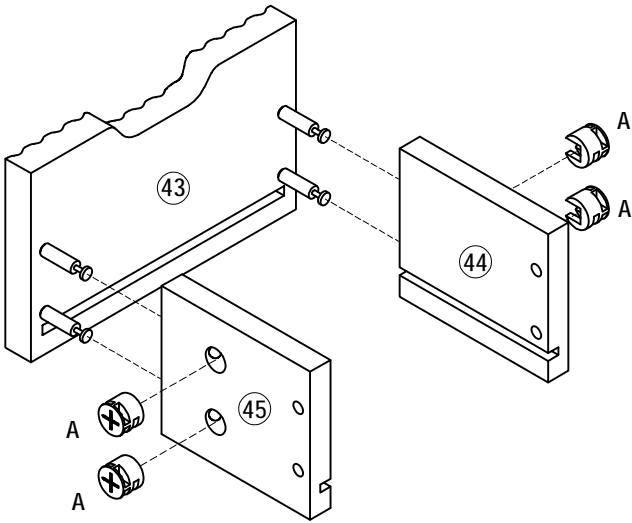


x 3

Installation Steps

34 ▶


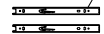
A	φ12*10  X 8	C	M5*40  X 8
----------	--	----------	---

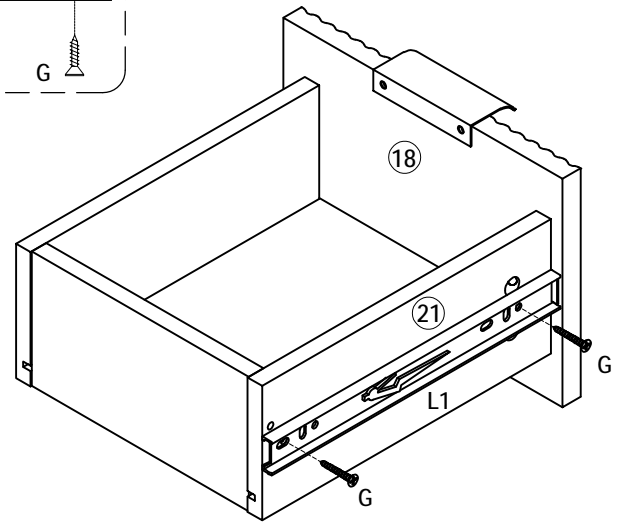
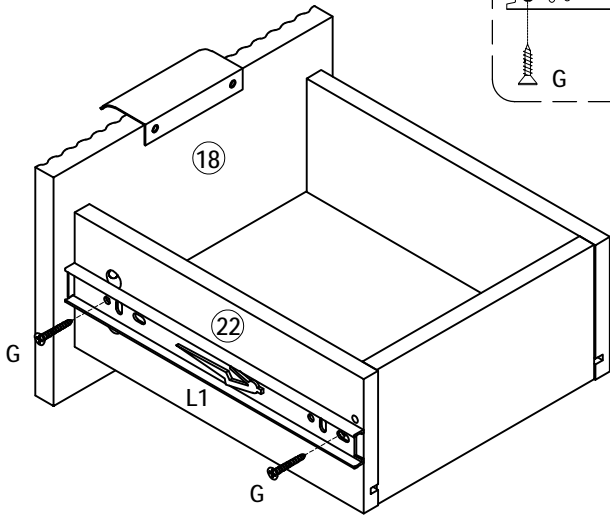
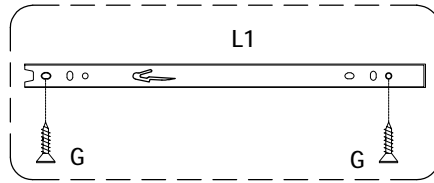


x 2

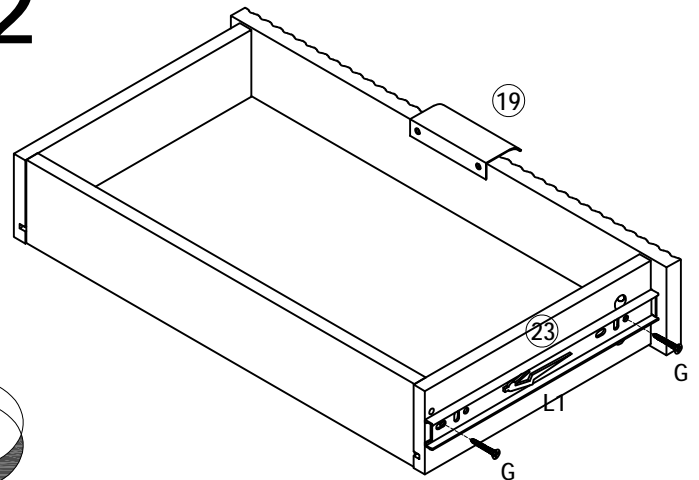
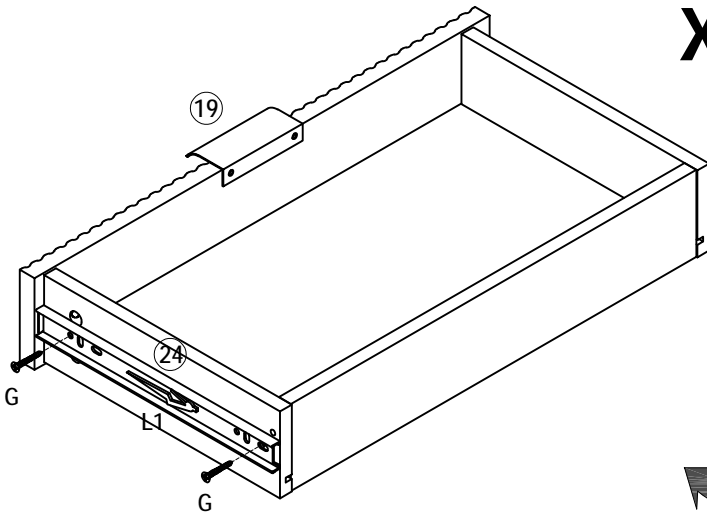
Installation Steps

35 ▶

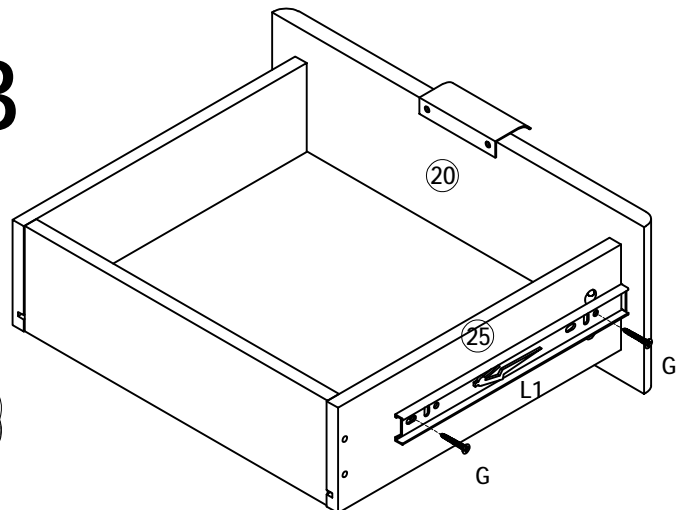
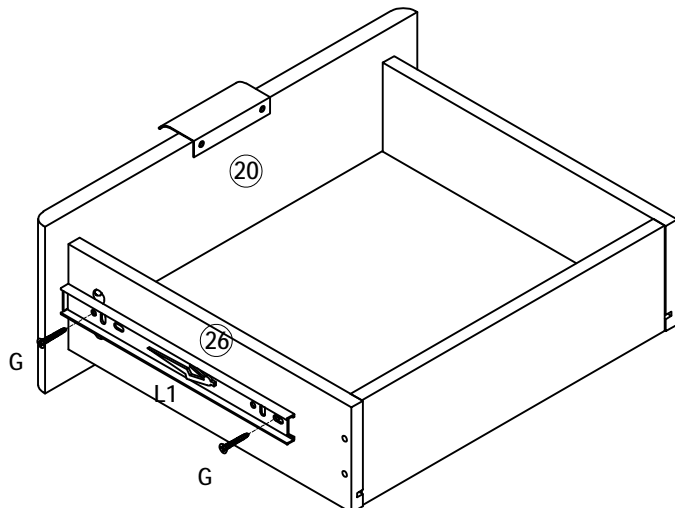
G M3.5*12  X 24	L 10°  X 6
---	--



x 2

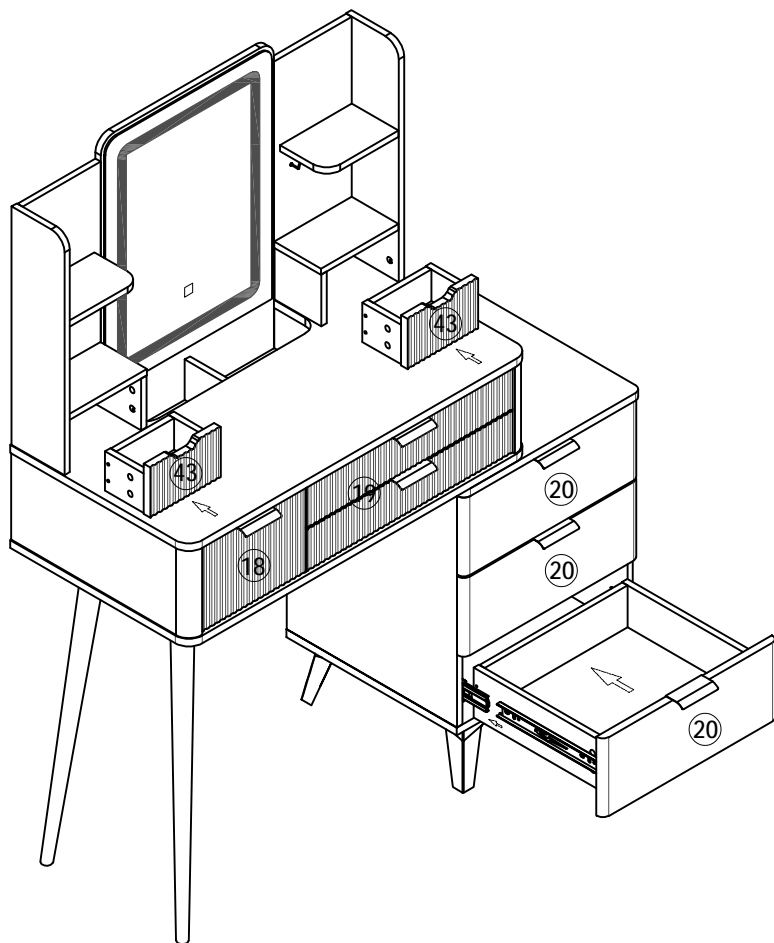


x 3



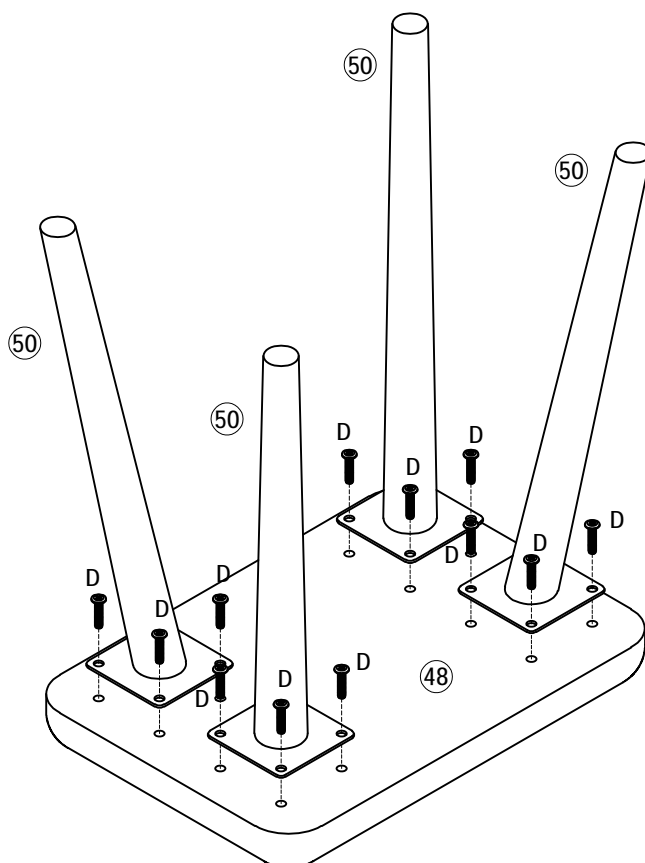
Installation Steps

36 ▷



37 ▷

D M6*15
X 16



Installation Steps

38 ▶

