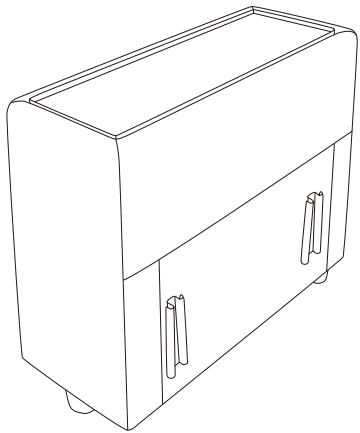
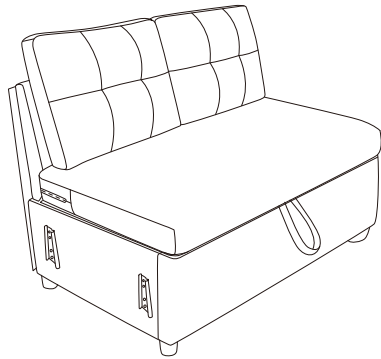


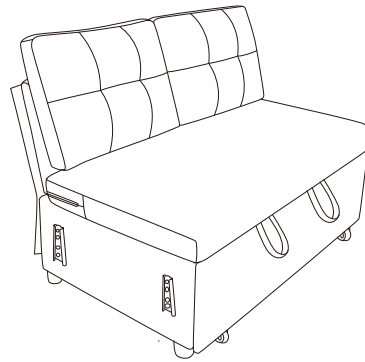
ASSEMBLY INSTRUCTION



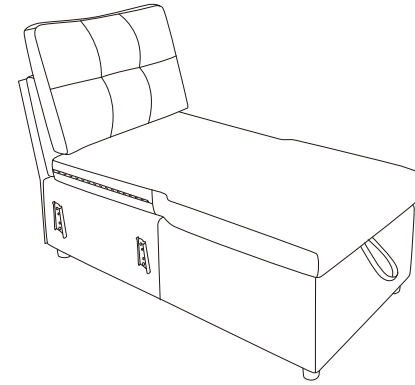
A



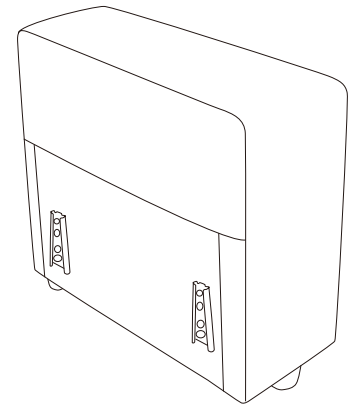
B



C

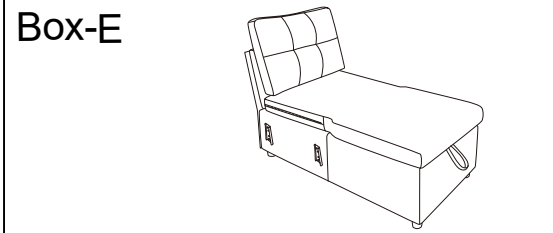
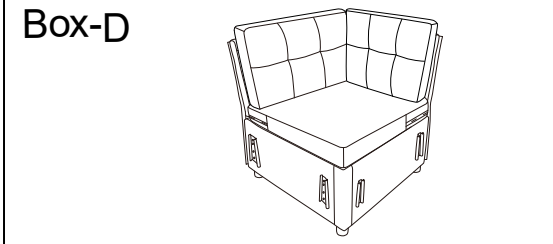
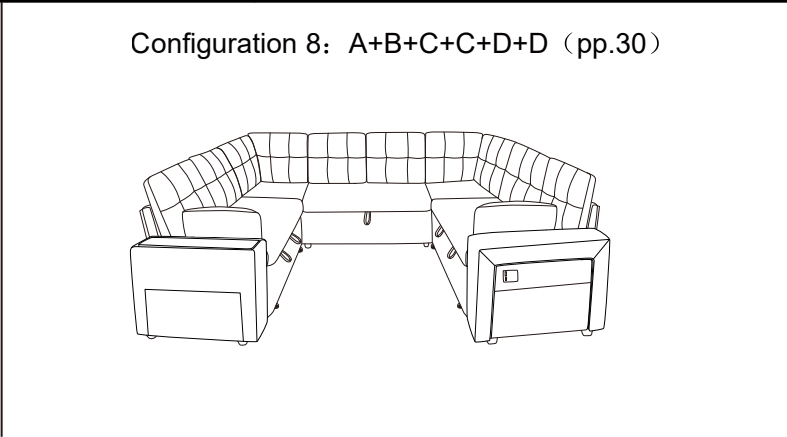
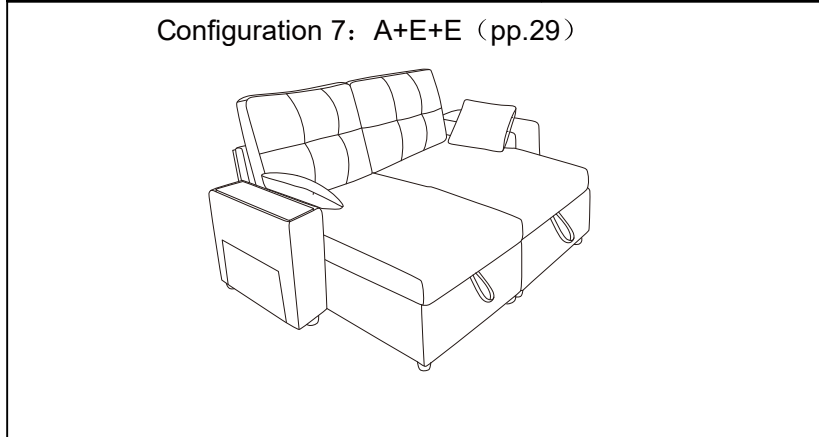
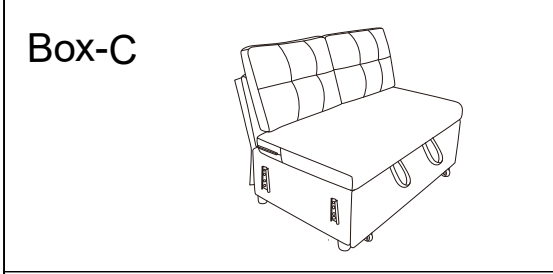
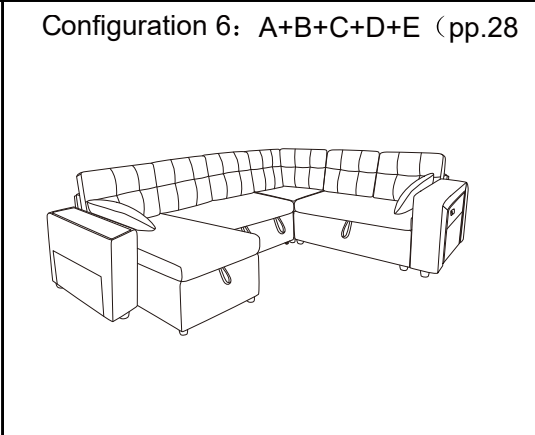
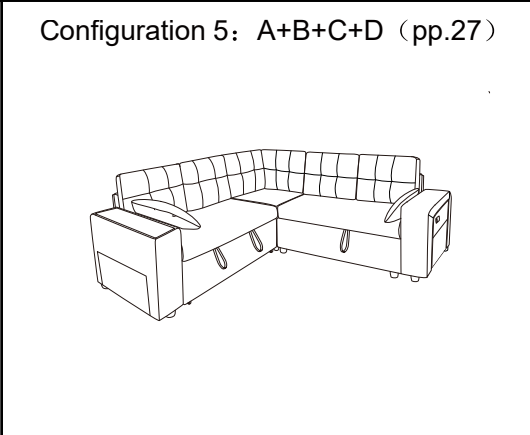
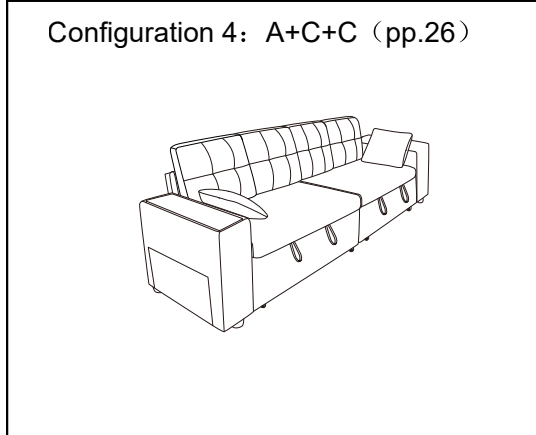
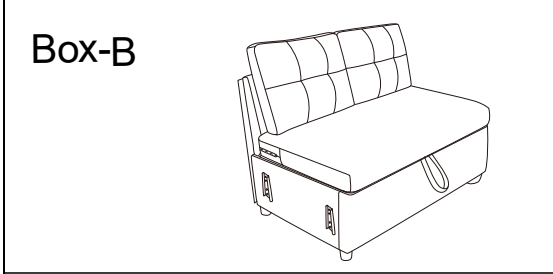
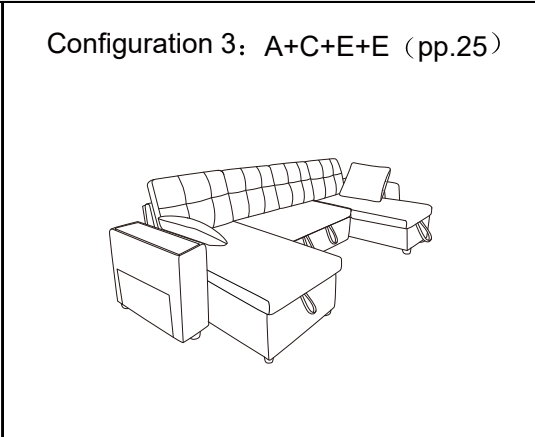
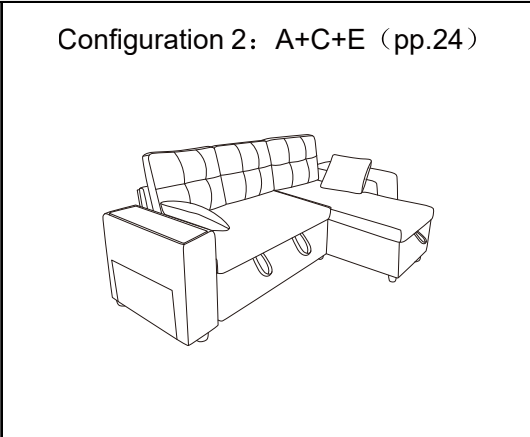
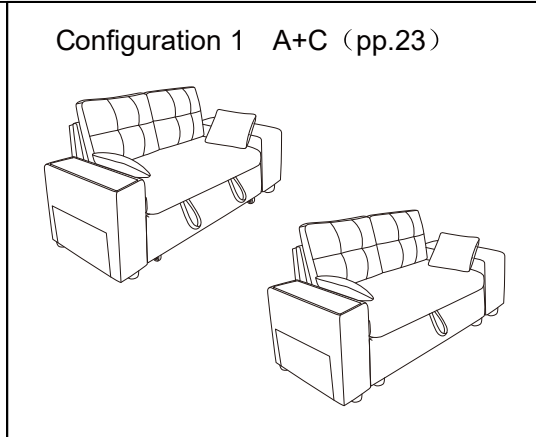
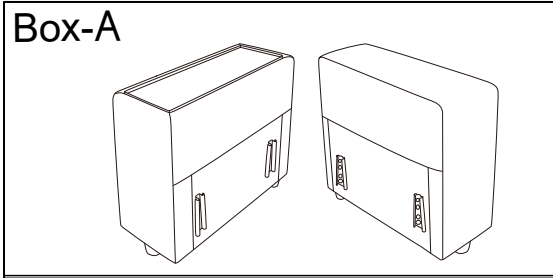







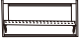







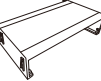









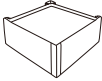
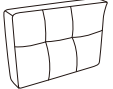
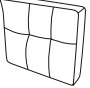




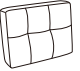
E



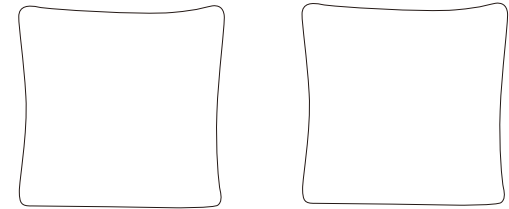
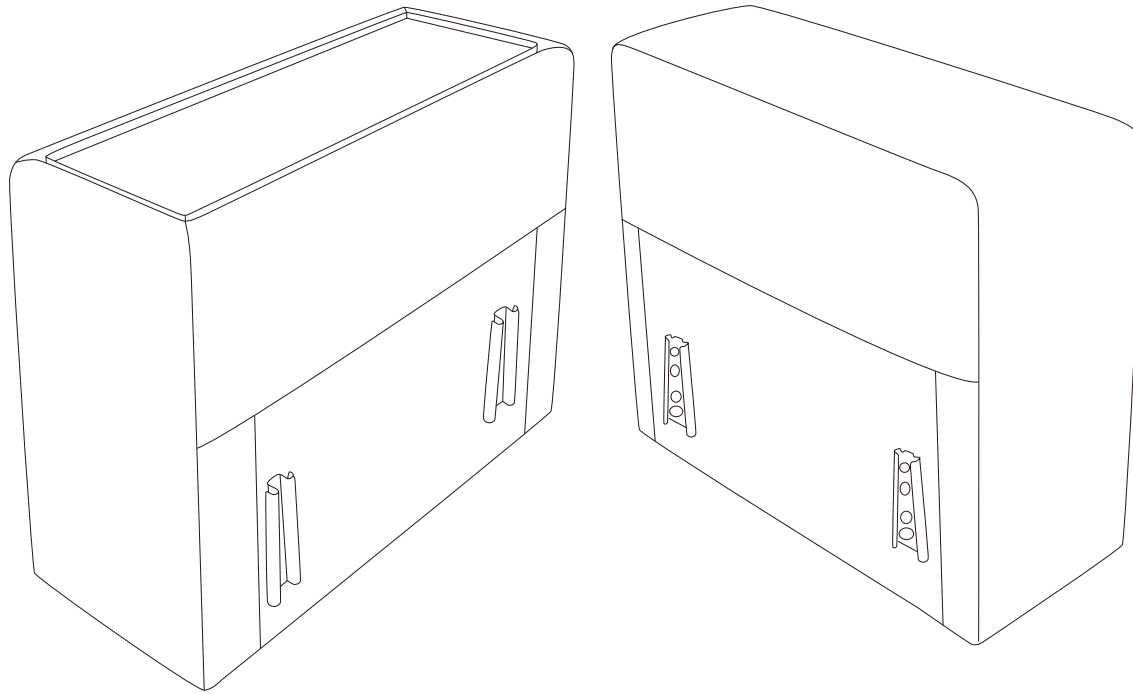
A

Multiple Combinations Available Based on Your Purchase



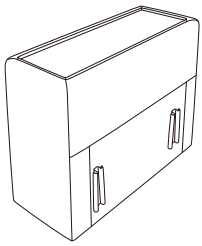
<p>Box-A</p> <p>A-L Facing left arm x1  Pillow x2 </p> <p>A-R Facing right armrest x1 </p> <p>C  Feet x4</p> <p>F  Charger x2</p>	<p>Box-B</p> <p>H  Back Frame x1 K  pull out seat cushion x1 C  Feet x4</p> <p>O  Seaf Frame x1 M  Back Cushion x2</p>
<p>Box-C</p> <p>H  Back Frame x1 L  pull out seat cushion x1 C  Feet x4</p> <p>I  Seaf Frame x1 N  Pull out sofa tray frame x1 E  Universal wheel x4</p> <p>M  Back Cushion x2 A  Bolt x8</p> <p>K  pull out seat cushion x1 B  Allen key x1</p>	<p>Box-D</p> <p>T  Back Frame x2 S  Seat Cushion x1 C  Feet x4</p> <p>P  Seaf Frame x1 Q  Back Cushion x1</p> <p>R  Back Cushion x1</p>
<p>Box-E</p> <p>U  Back Frame x1 W  Seat Cushion x1 C  Feet x4</p> <p>V  Seaf Frame x1 Z  Back Cushion x1</p>	

How to Install Box-A(1/5)



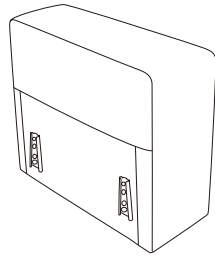
Components List

A-L



1pc

A-R



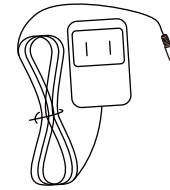
1pc

C



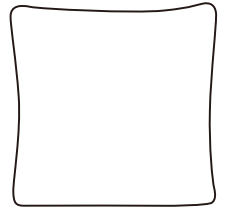
4pcs

F



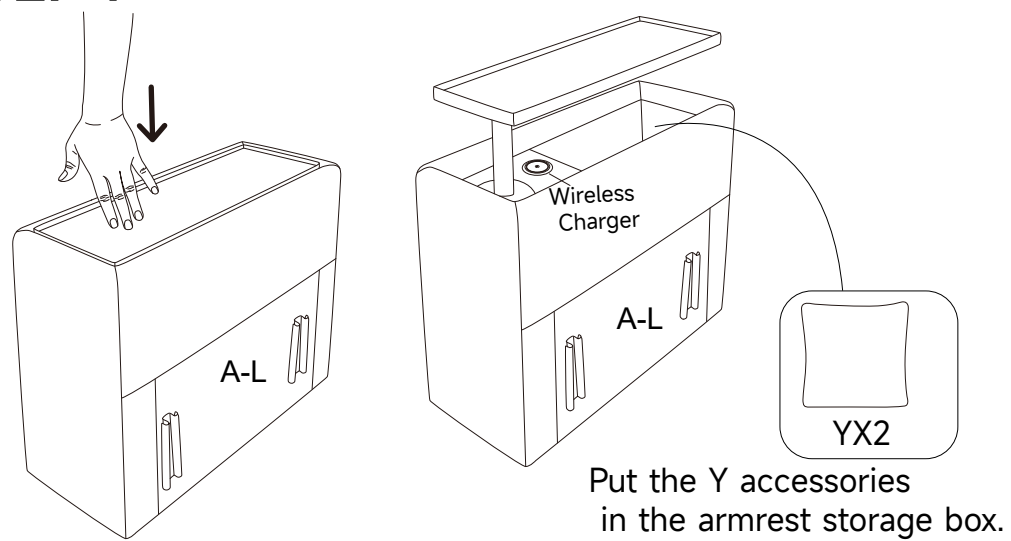
2pcs

Y

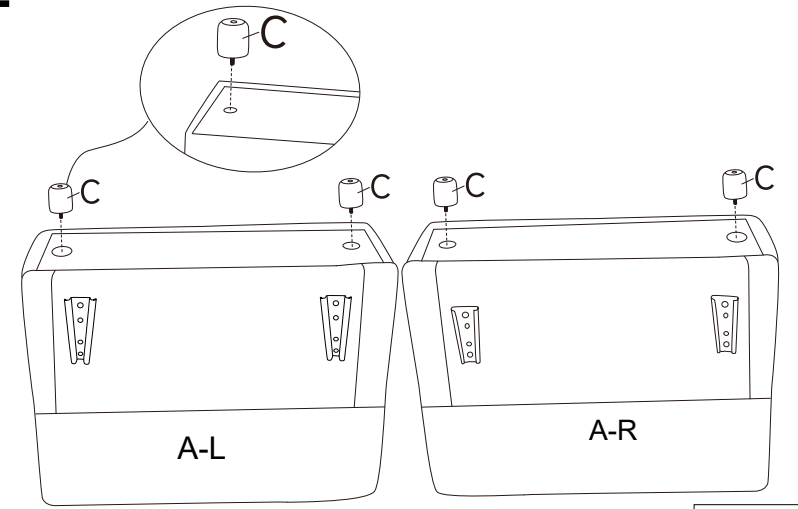


2pcs

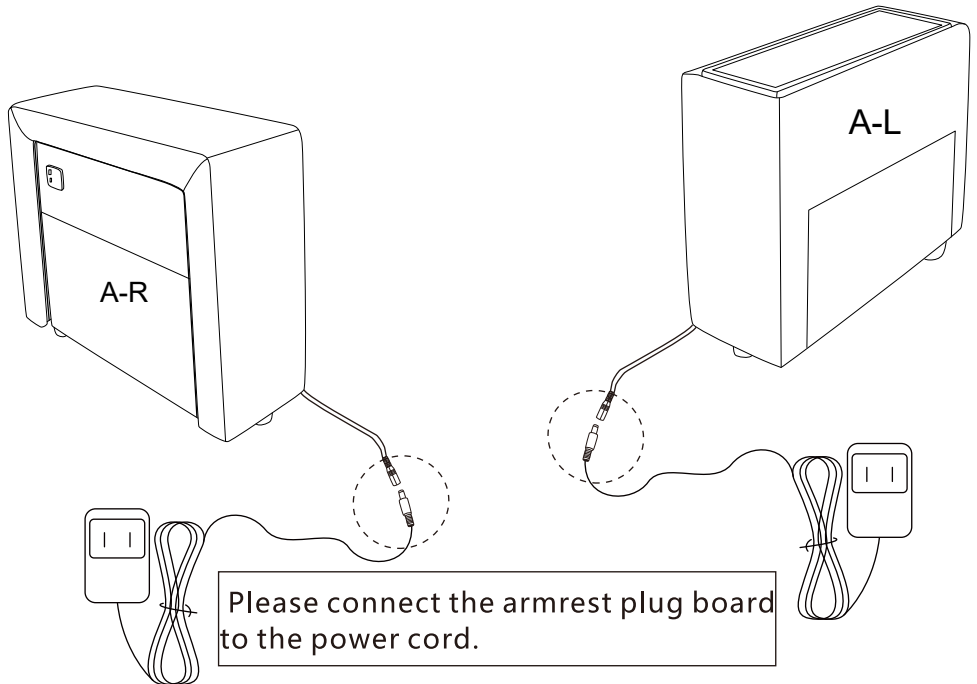
STEP 1



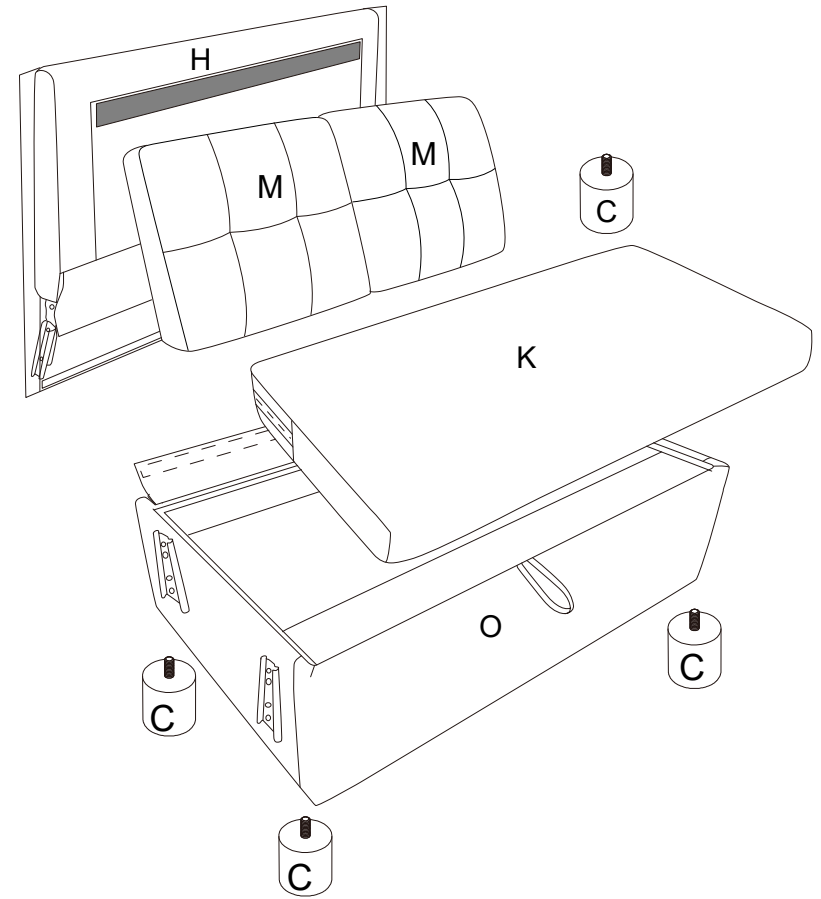
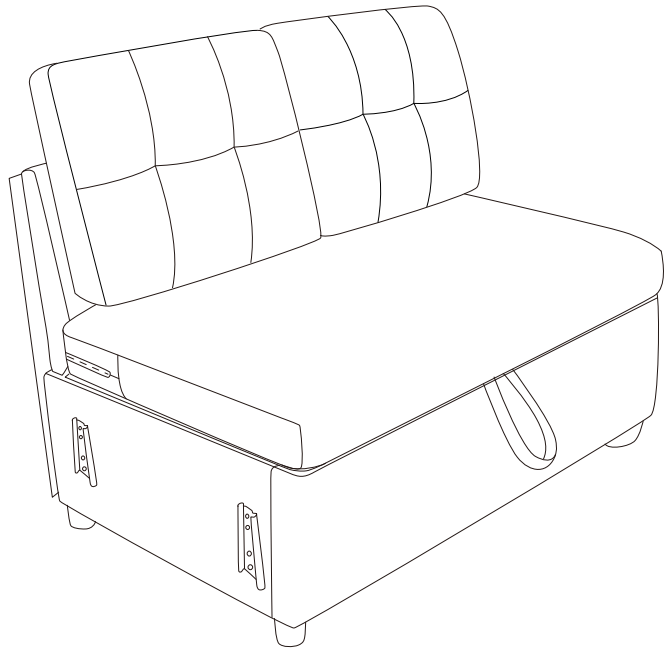
STEP 2



 Cx4

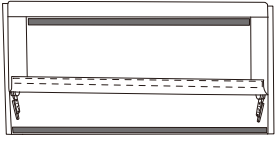


How to Install Box-B



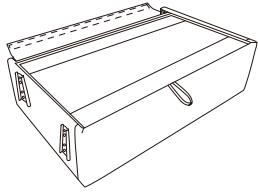
Components List

H



1pc

O



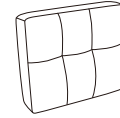
1pc

k



1pc

M



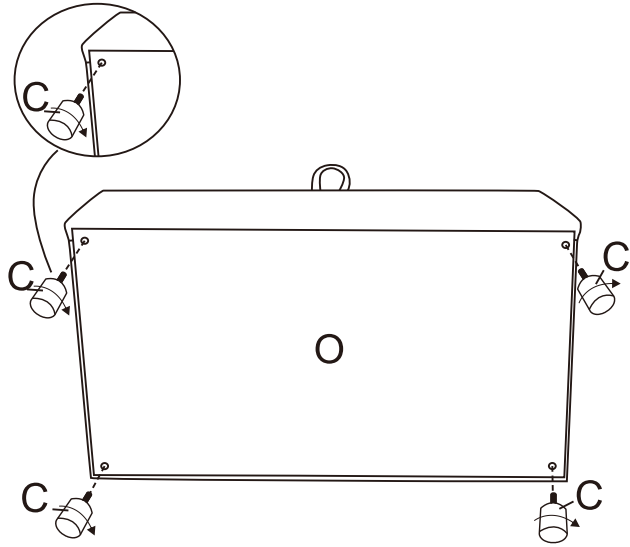
2pcs

C



4pcs

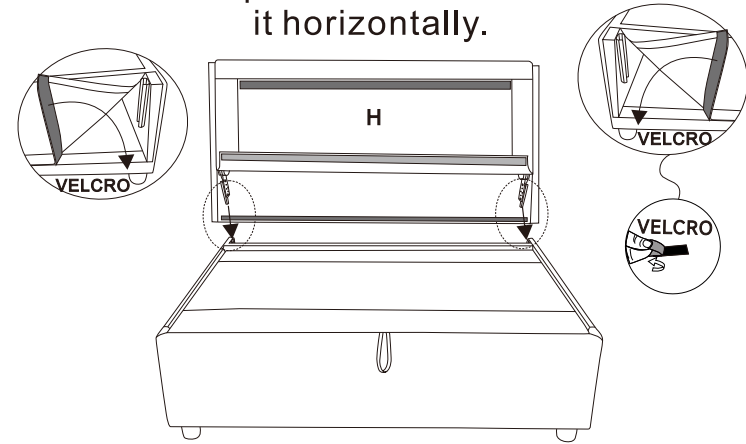
STEP 1



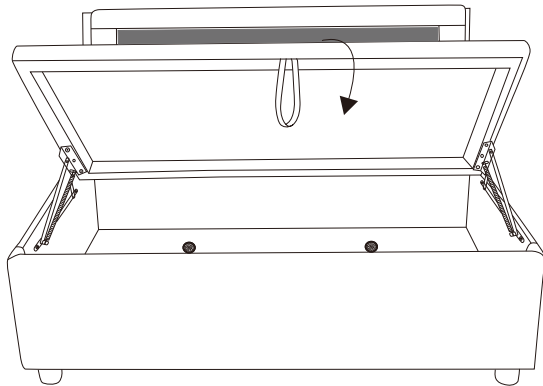
Cx4

STEP 2

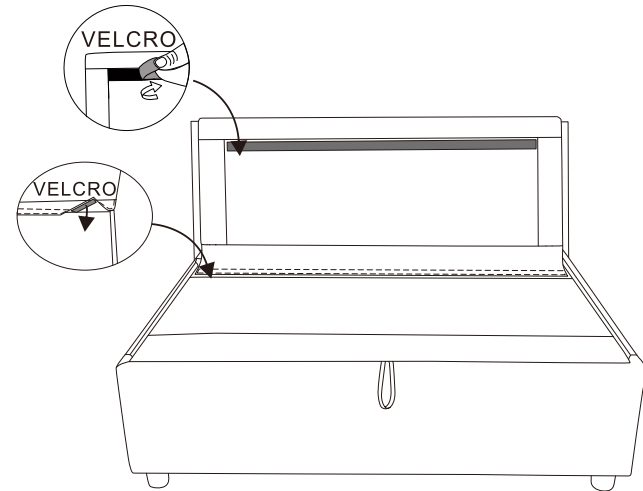
Align the insert piece and insert it horizontally.



STEP 3

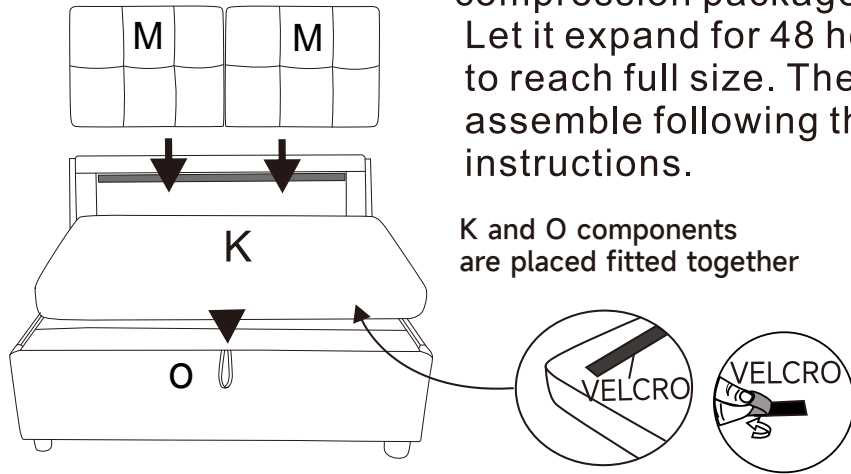


STEP 4



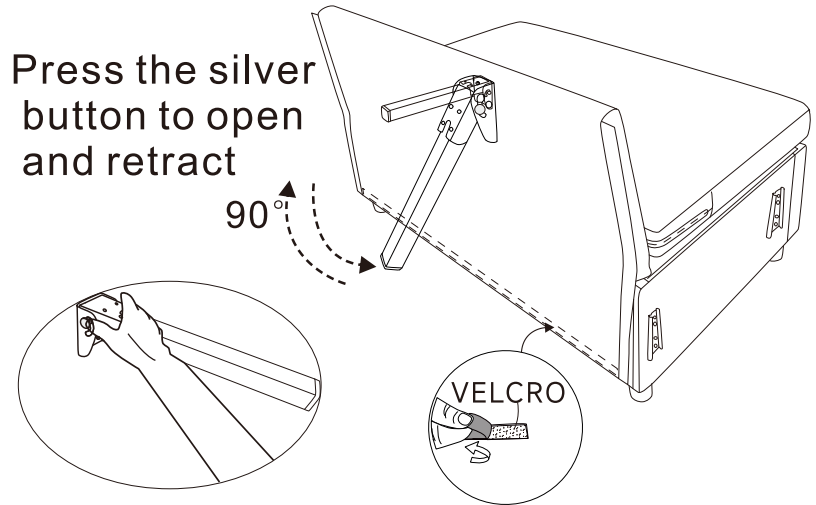
STEP 5

Take the cushion out of the compression package. Let it expand for 48 hours to reach full size. Then assemble following the instructions.

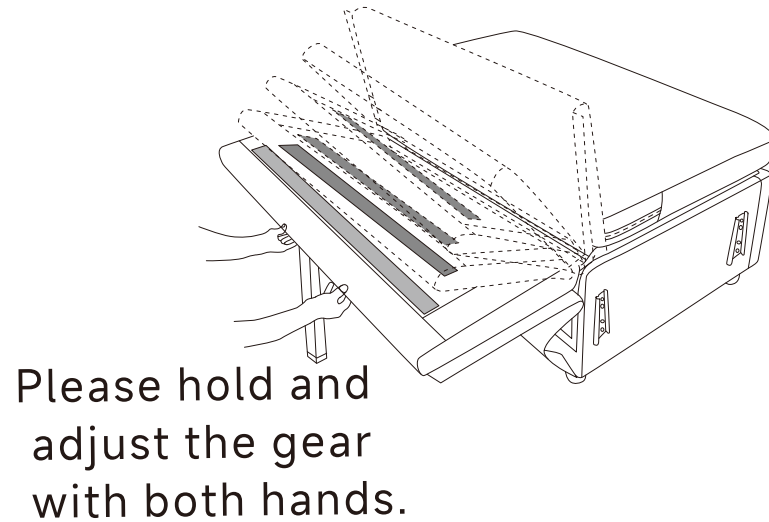


STEP 6

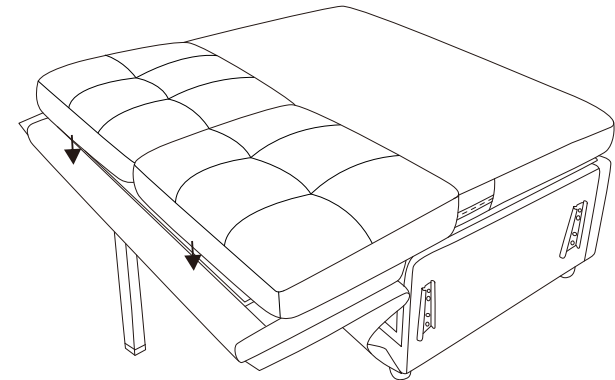
Press the silver button to open and retract



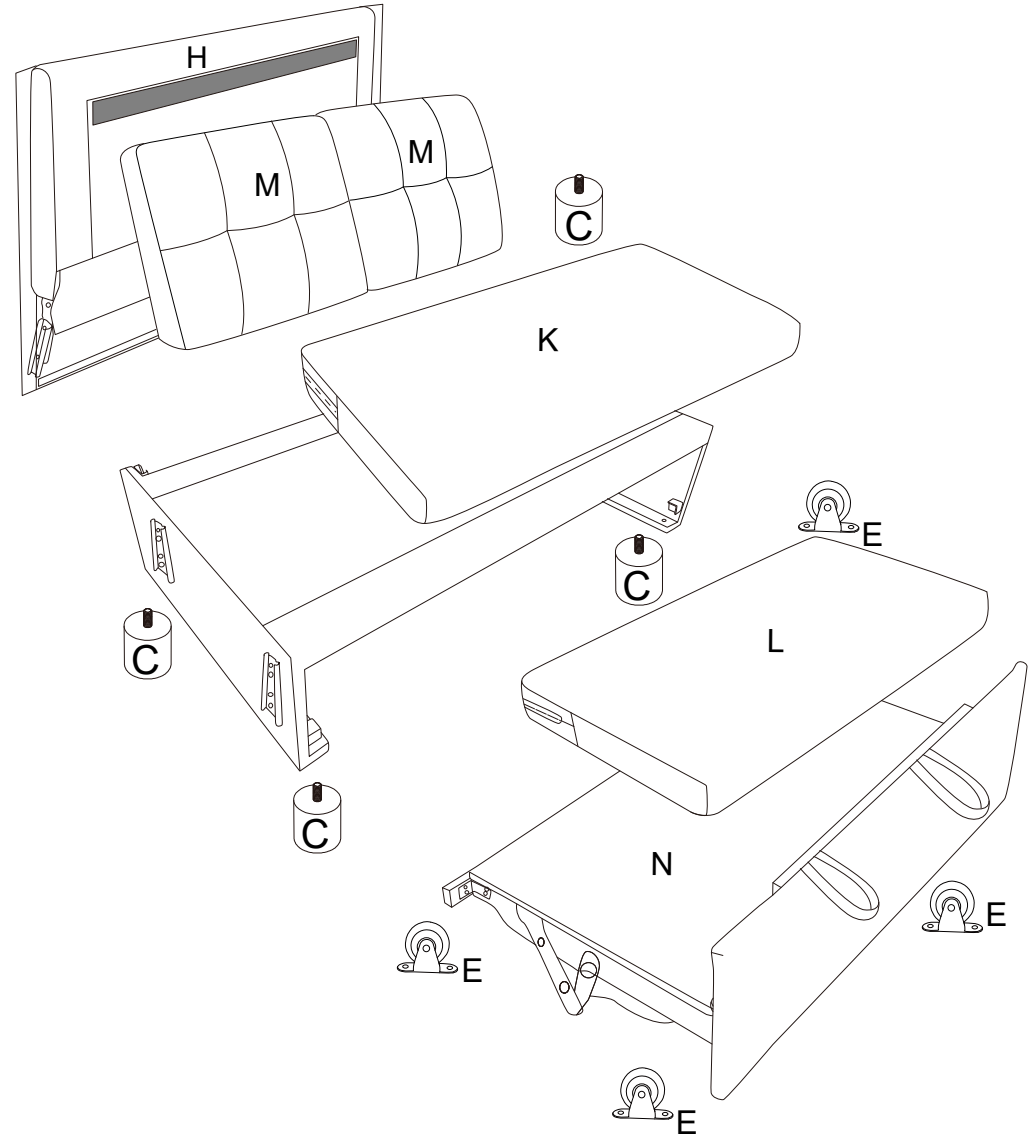
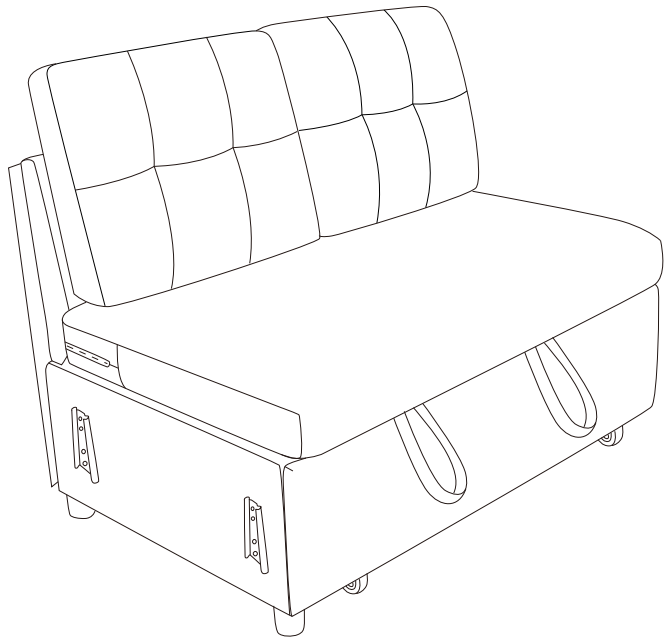
STEP 7



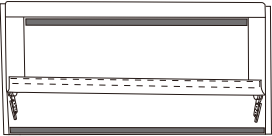
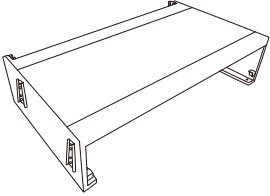

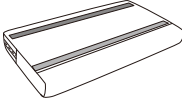
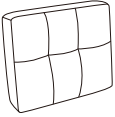
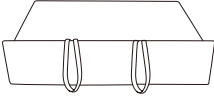
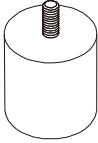



STEP 8



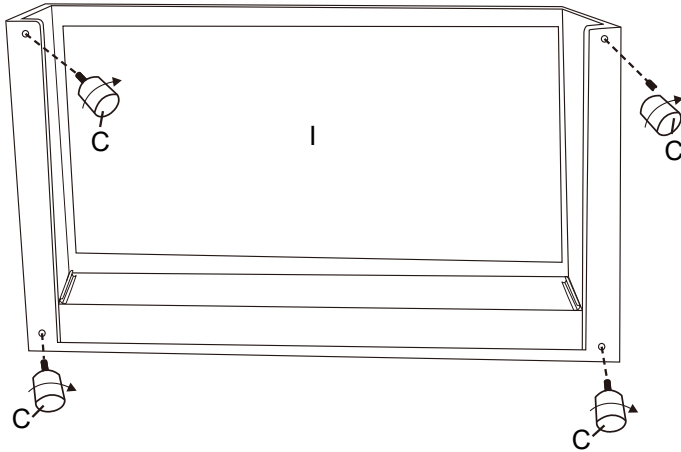
How to Install Box-C



Components List

<p>H</p>  <p>1pc</p>	<p>I</p>  <p>1pc</p>	<p>k</p>  <p>1pc</p>	<p>L</p>  <p>1pc</p>	<p>M</p>  <p>2pcs</p>
<p>N</p>  <p>1pc</p>	<p>C</p>  <p>4pcs</p>	<p>E</p>  <p>4pcs</p>	<p>A</p>  <p>8pcs</p>	<p>B</p>  <p>1pc</p>

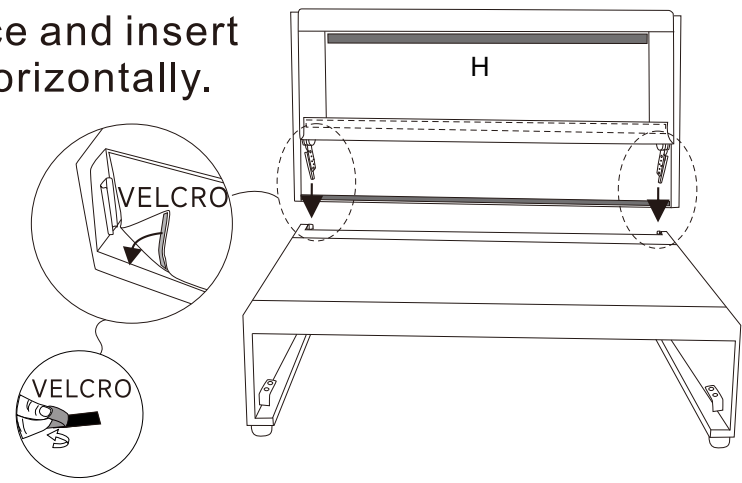
STEP 1



 Cx4

STEP 2

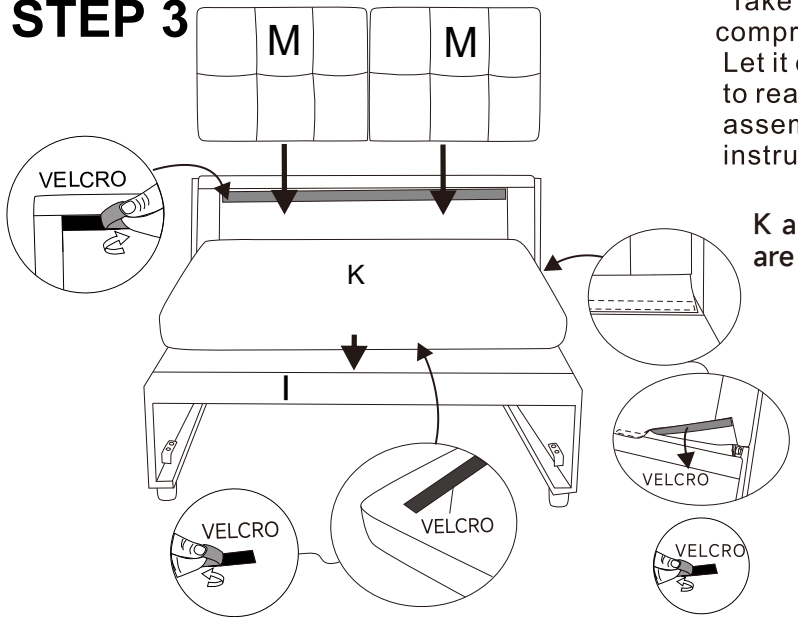
Align the insert piece and insert it horizontally.



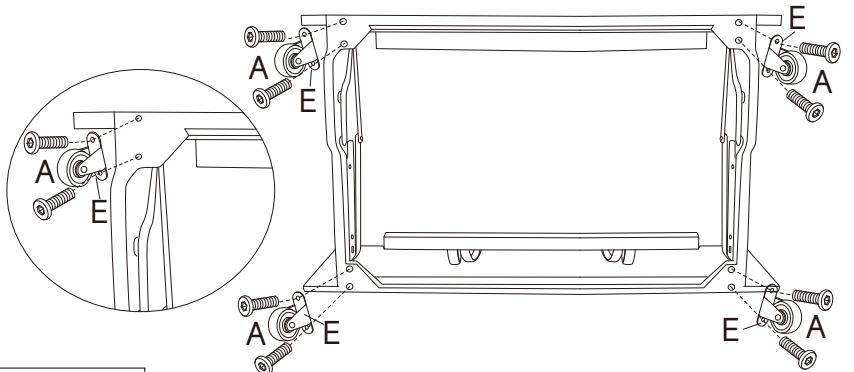
STEP 3

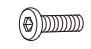


Take the cushion out of the compression package. Let it expand for 48 hours to reach full size. Then assemble following the instructions.

K and I components are placed fitted together

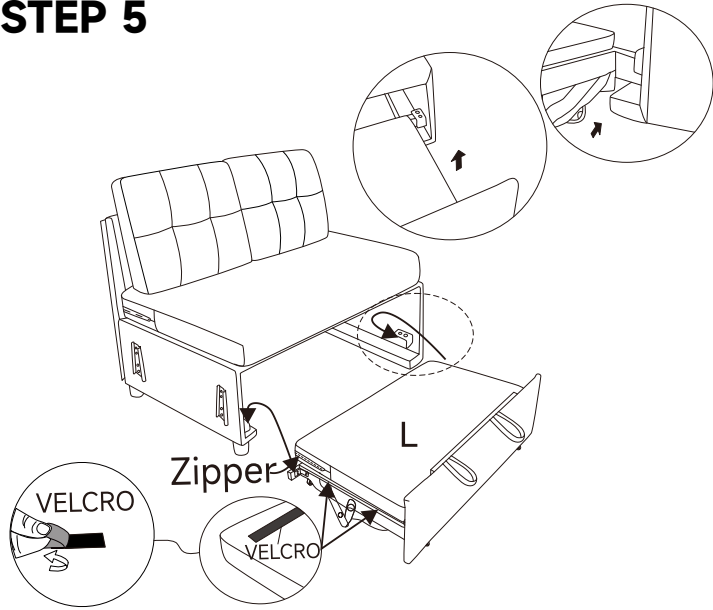


STEP 4

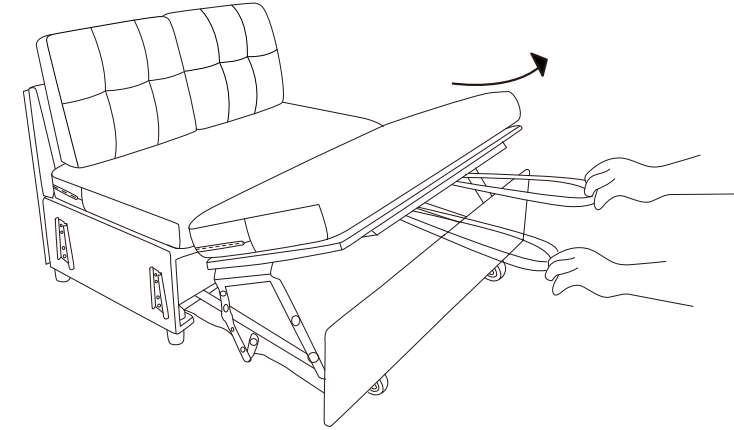
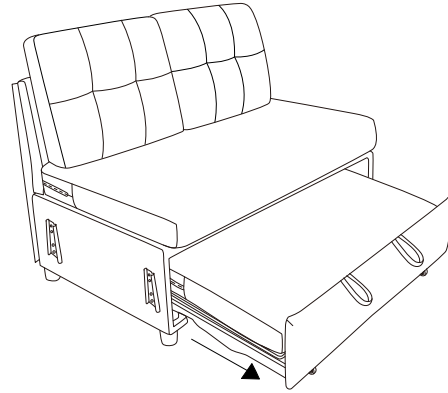


	A x 8PCS
	B x 1PC
	E x 4PCS

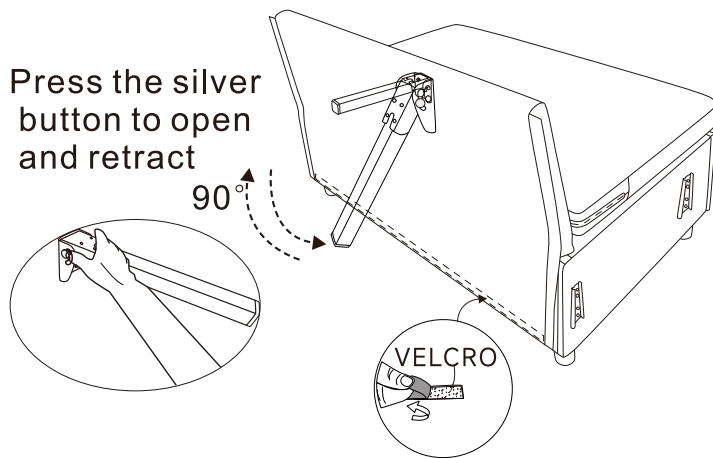
STEP 5



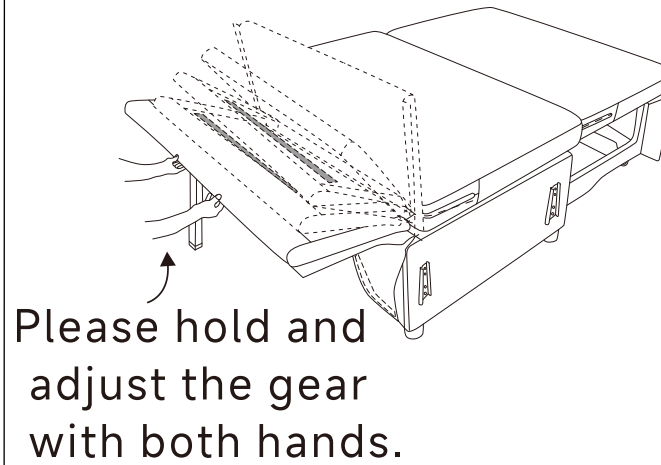
STEP 6



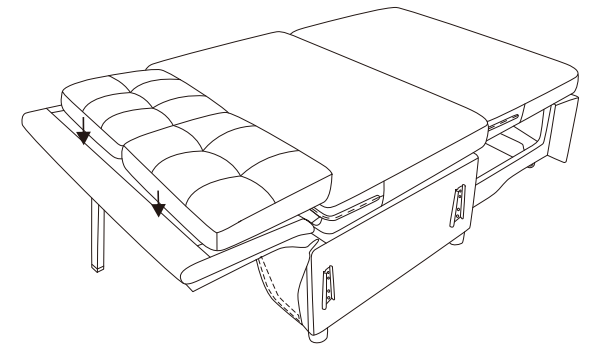
STEP 7



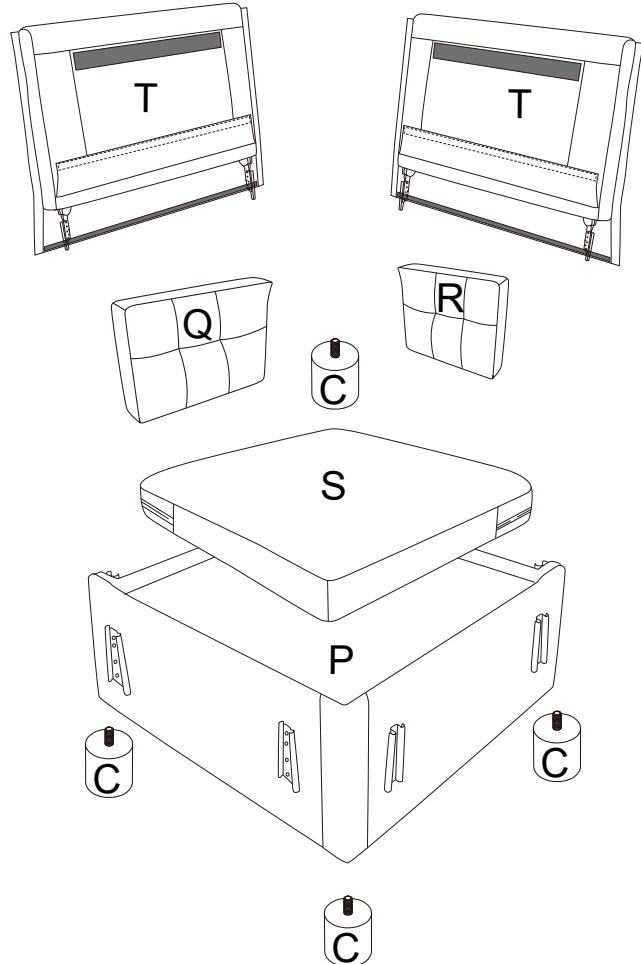
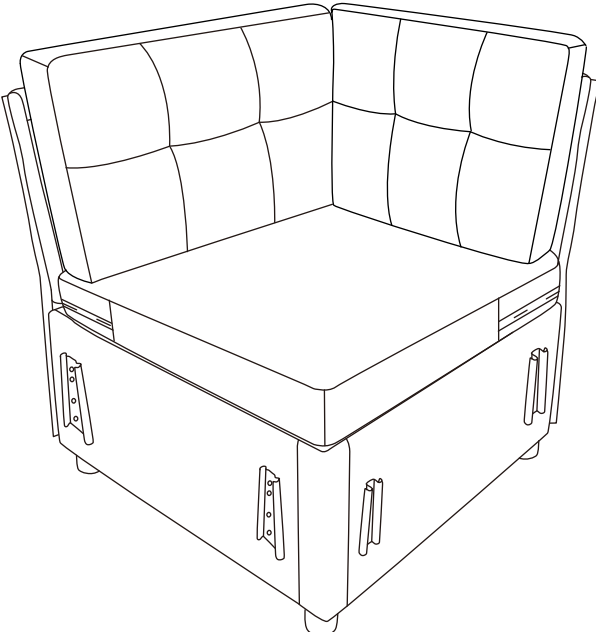
STEP 8



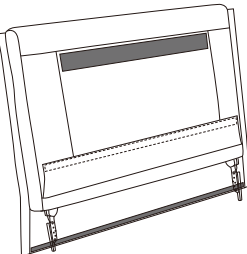
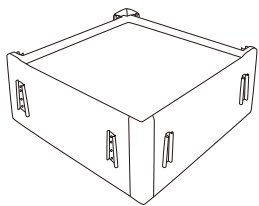
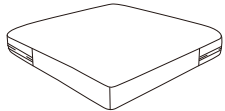
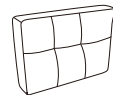
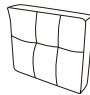

STEP 9



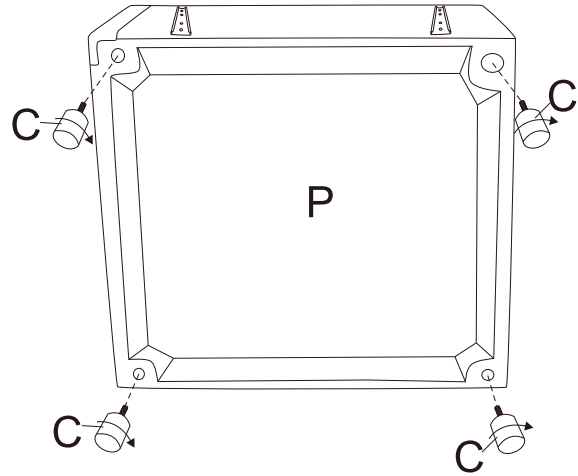
How to Install Box-D



Components List

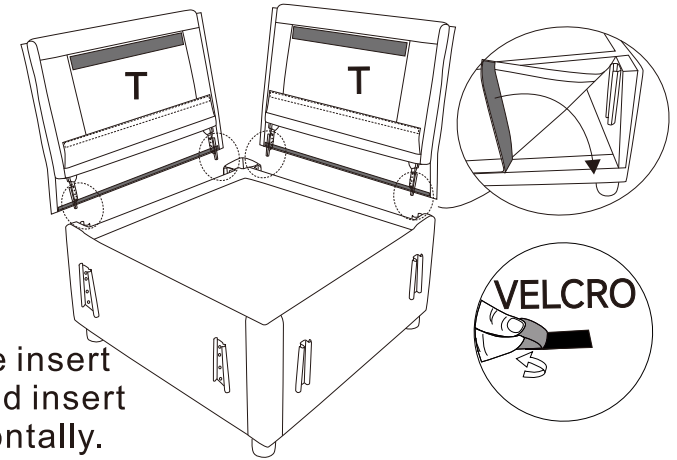
<p>T</p>  <p>2pcs</p>	<p>P</p>  <p>1pc</p>	<p>S</p>  <p>1pc</p>	<p>Q</p>  <p>1pc</p>	<p>R</p>  <p>1pc</p>
<p>C</p>  <p>4pcs</p>				

STEP 1



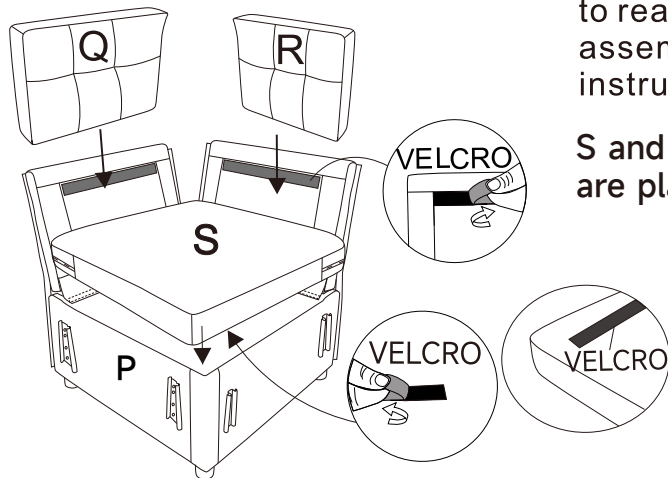
Cx4

STEP 2



Align the insert piece and insert it horizontally.

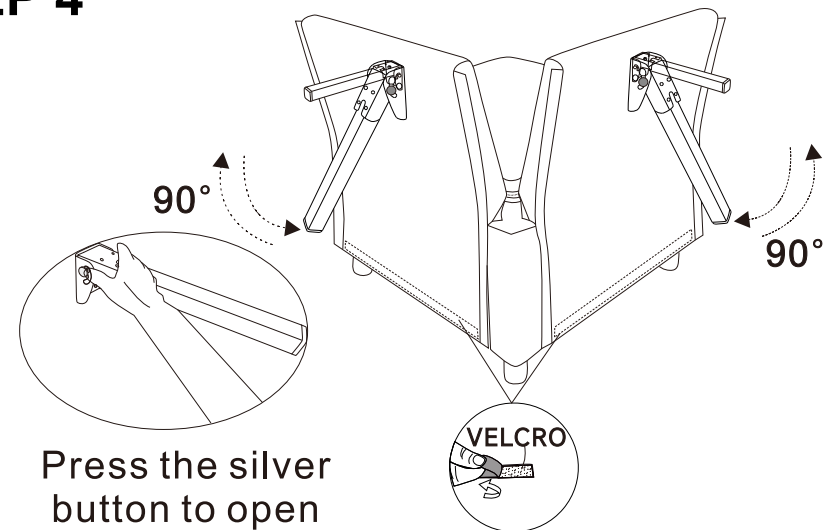
STEP 3



Take the cushion out of the compression package. Let it expand for 48 hours to reach full size. Then assemble following the instructions.

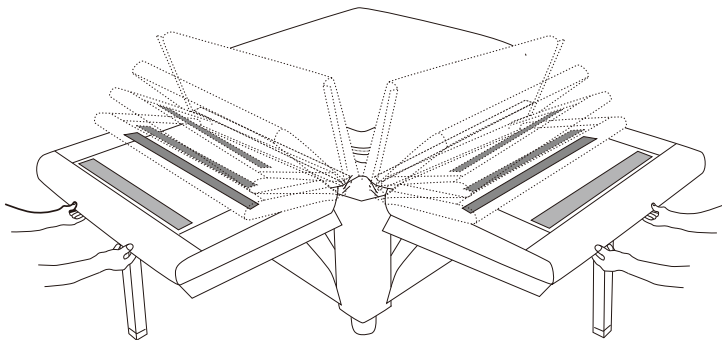
S and P components are placed fitted together

STEP 4



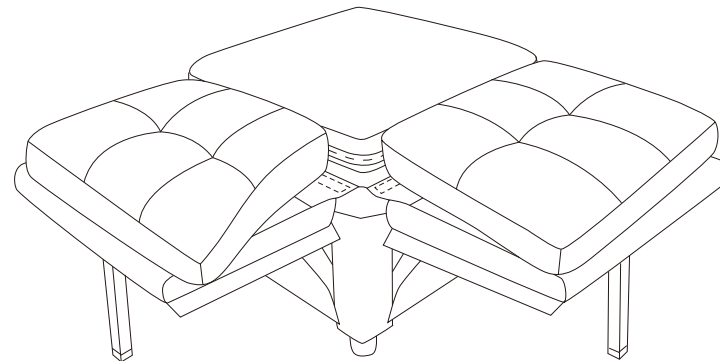
Press the silver button to open and retract

STEP 5

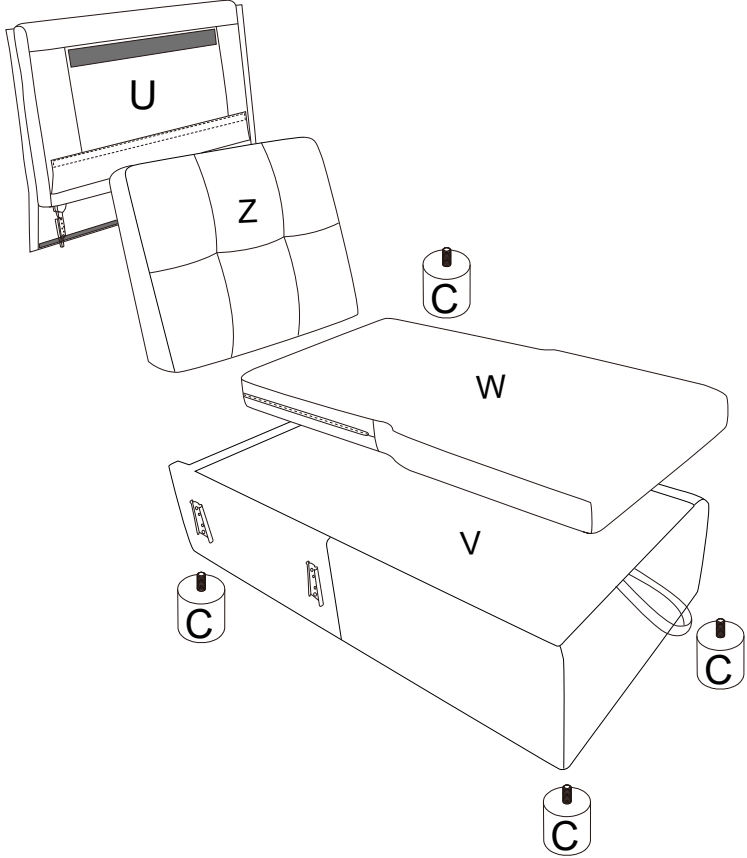
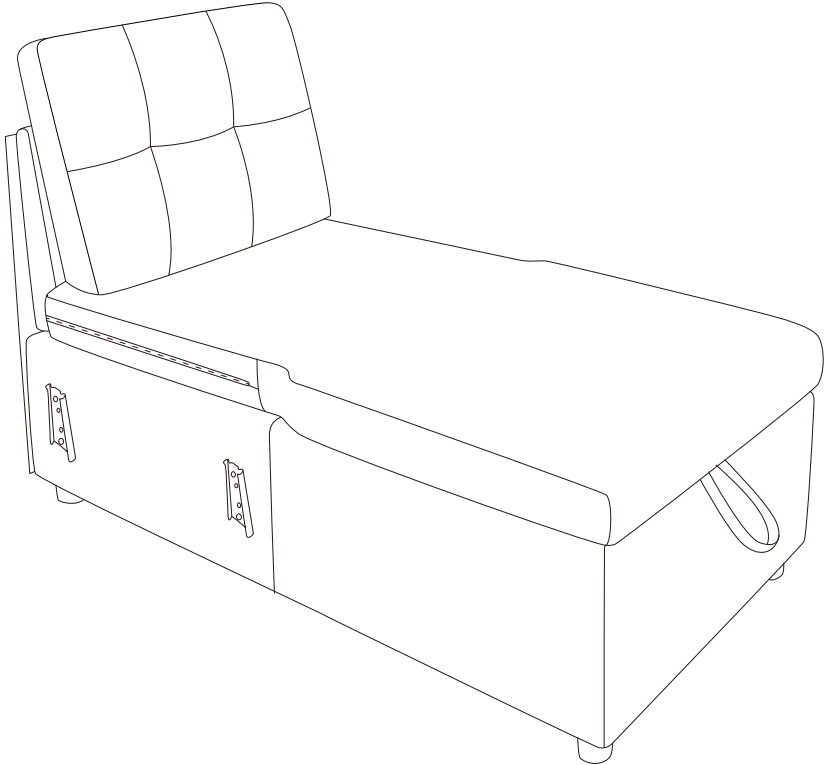


Please hold and
adjust the gear
with both hands.

STEP 6

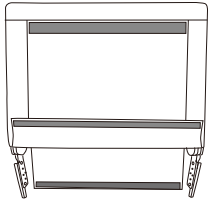


How to Install Box-E



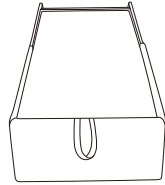
Components List

U



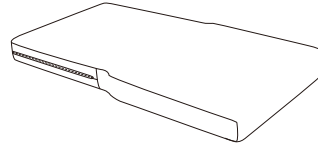
1pc

V



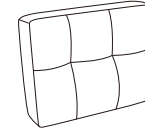
1pc

W



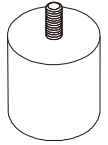
1pc

Z



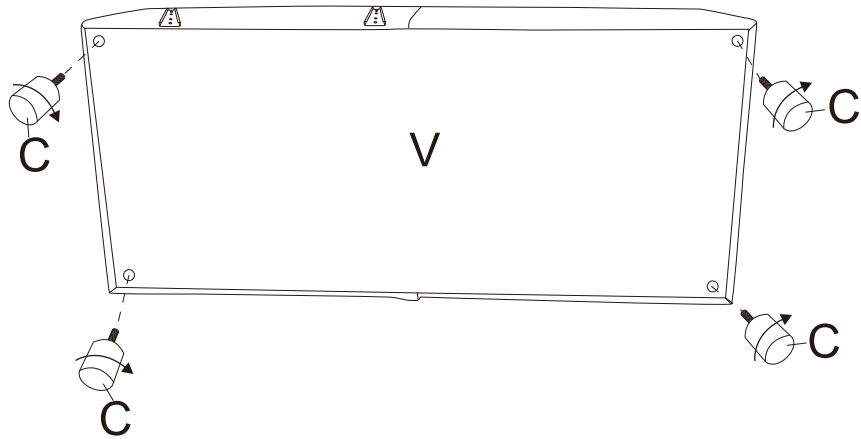
1pc

C



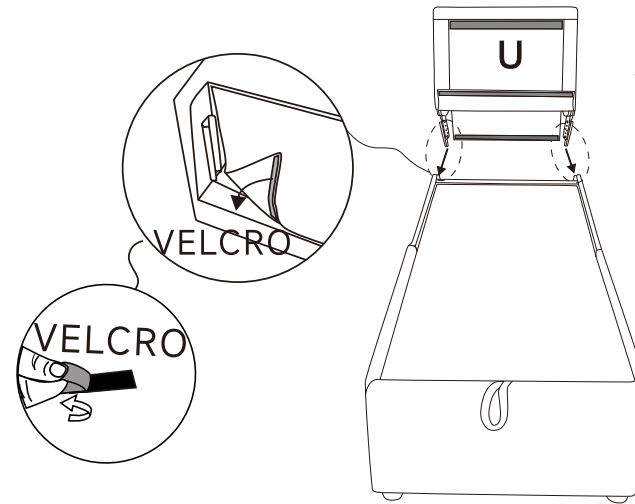
4pcs

STEP 1



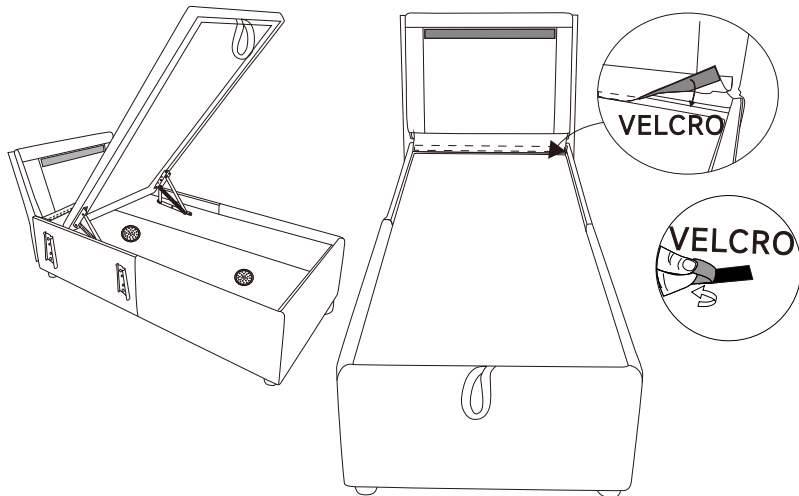
Cx4

STEP 2

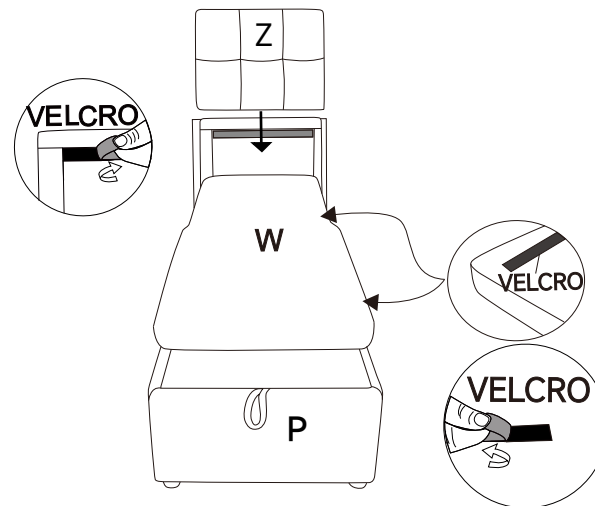


Align the insert piece and insert it horizontally.

STEP 3

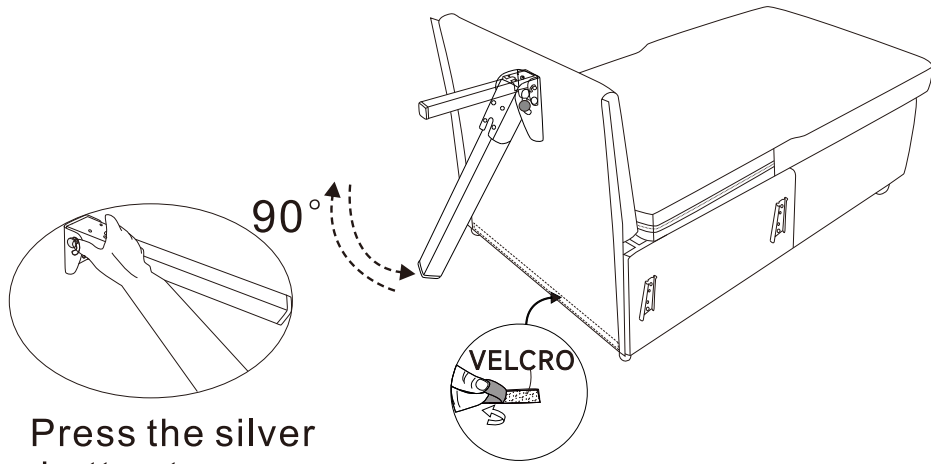


STEP 4

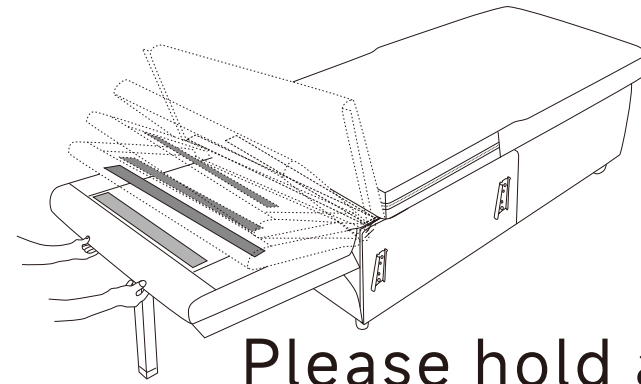


Take the cushion out of the compression package. Let it expand for 48 hours to reach full size. Then assemble following the instructions.

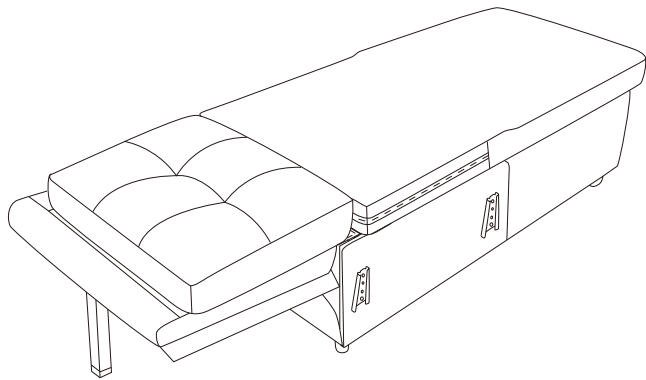
W and V components are placed fitted together



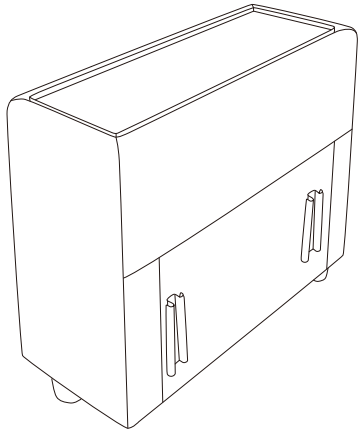
Press the silver button to open and retract



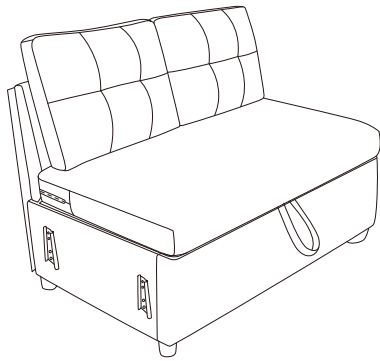
Please hold and adjust the gear with both hands.



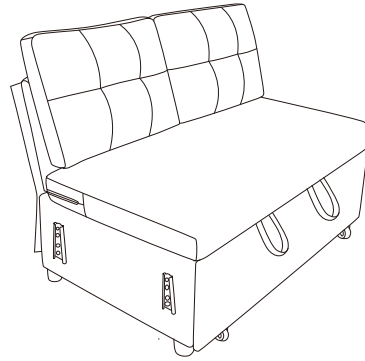
How to connect A B C E components



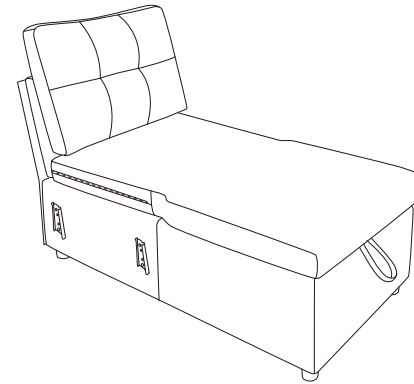
A



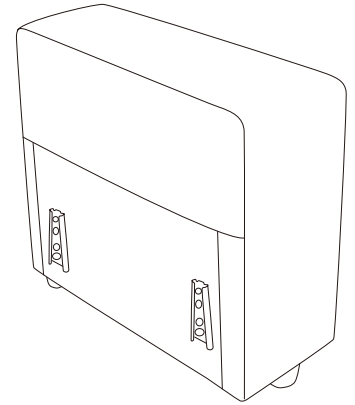
B



C



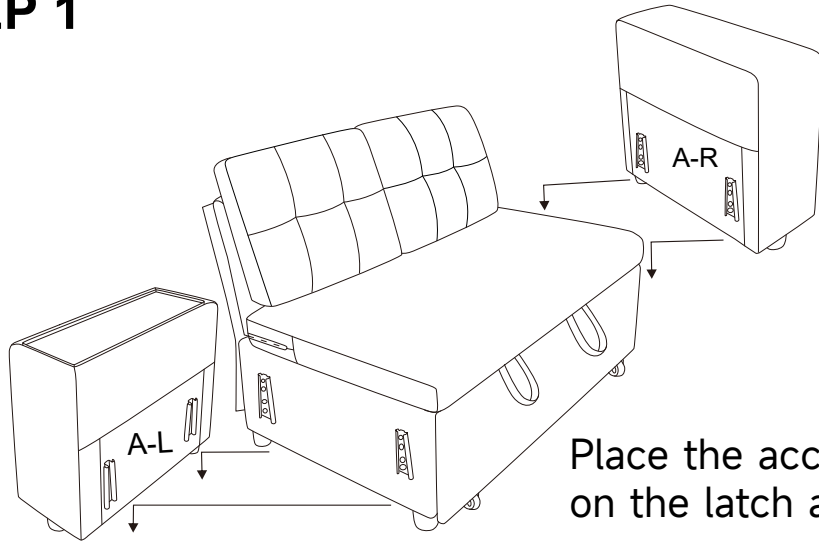
E



A

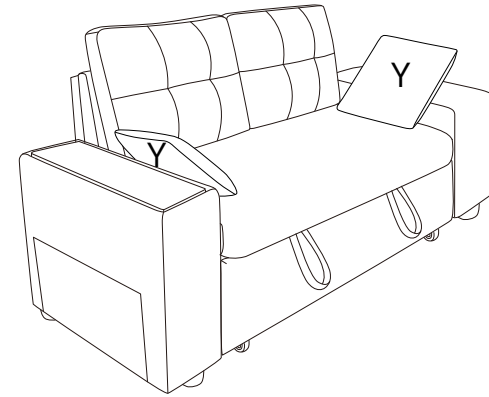
Configuration1 A+C

STEP 1

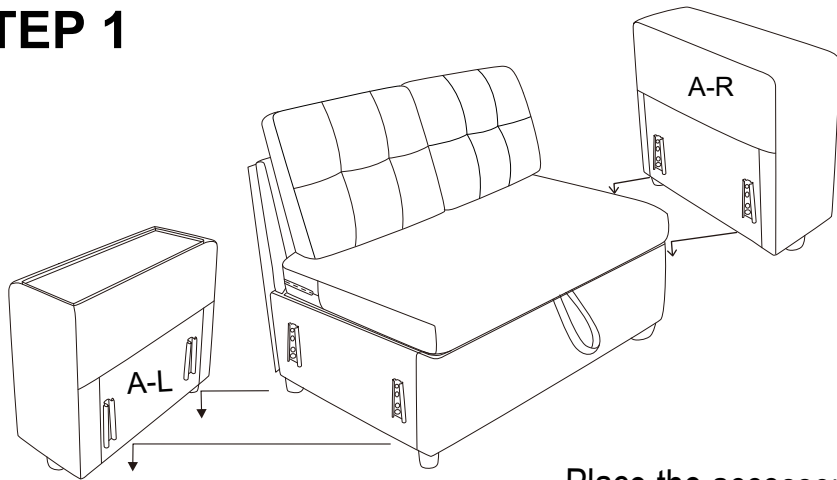


Place the accessory on the latch as shown.

STEP 2

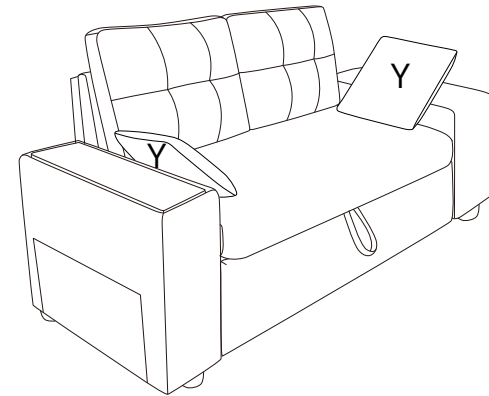


STEP 1



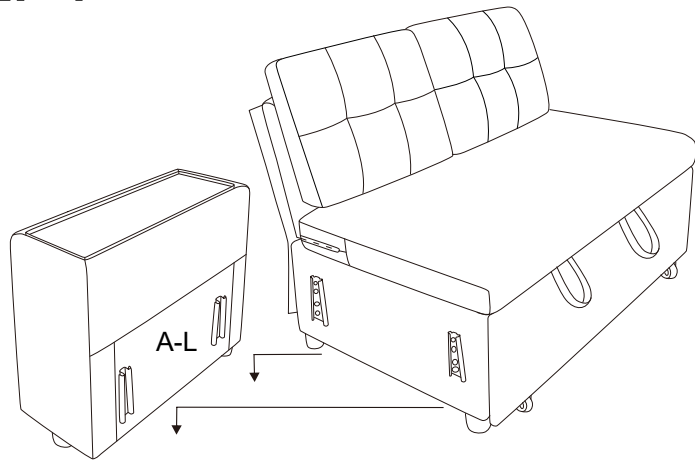
Place the accessory on the latch as shown.

STEP 2



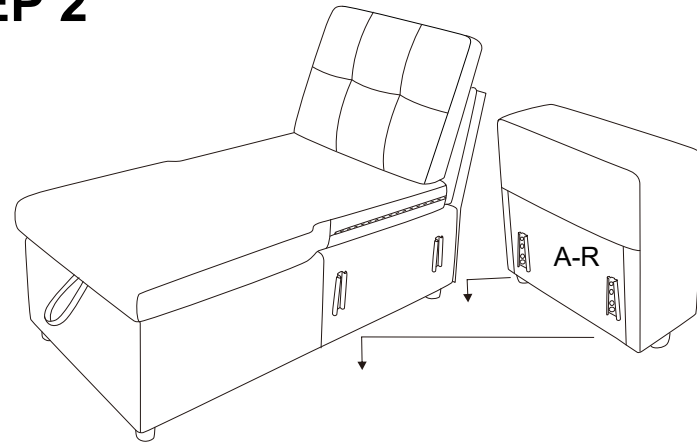
Configuration2 A+C+E

STEP 1



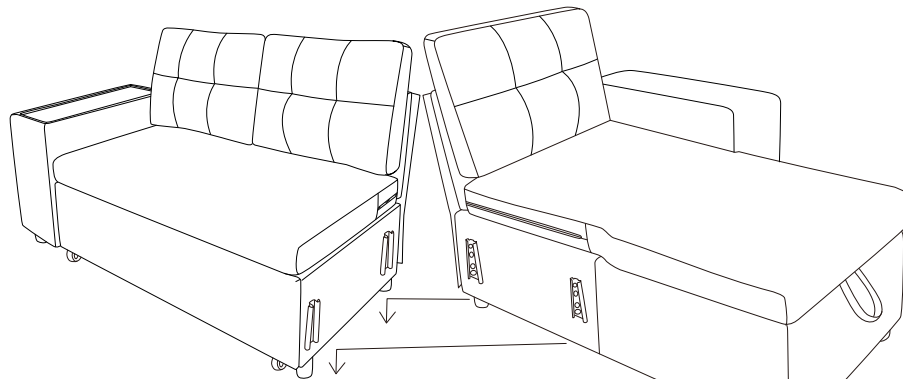
Place the accessory on the latch as shown.

STEP 2



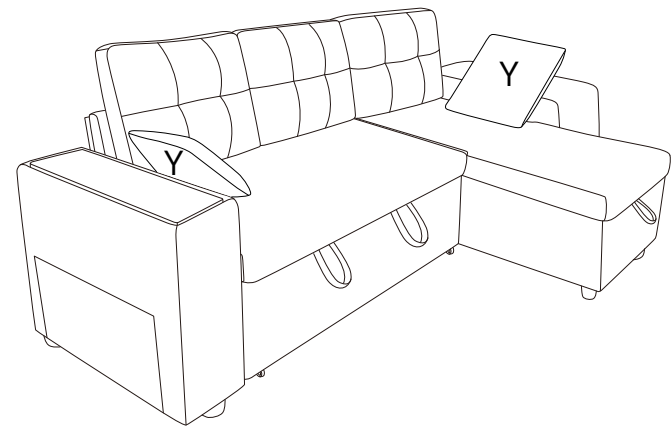
Place the accessory on the latch as shown.

STEP 3



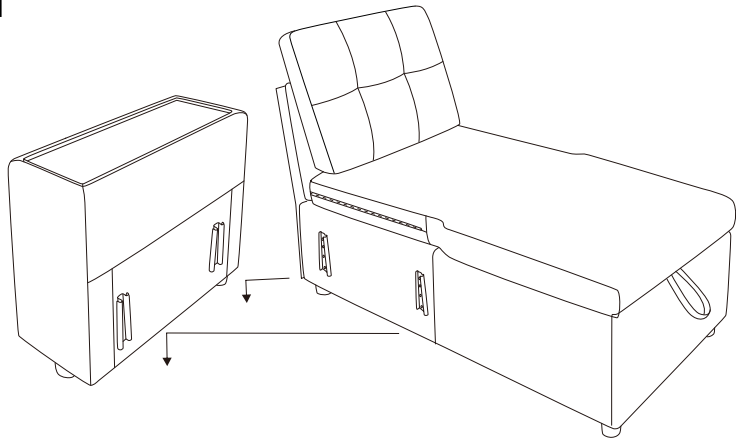
Place the accessory on the latch as shown.

STEP 4



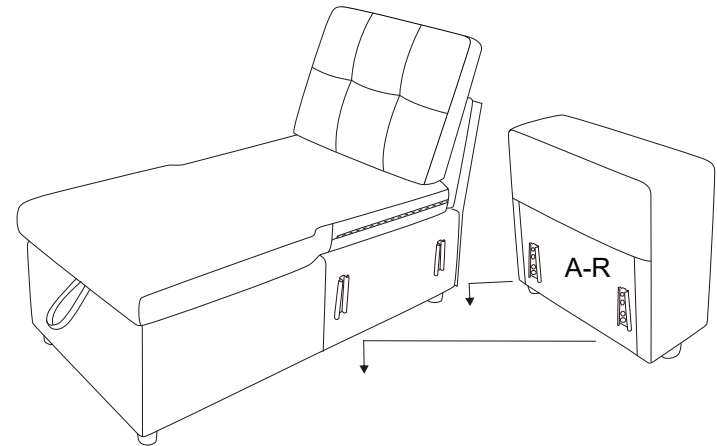
Configuration3 A+C+E+E

STEP 1



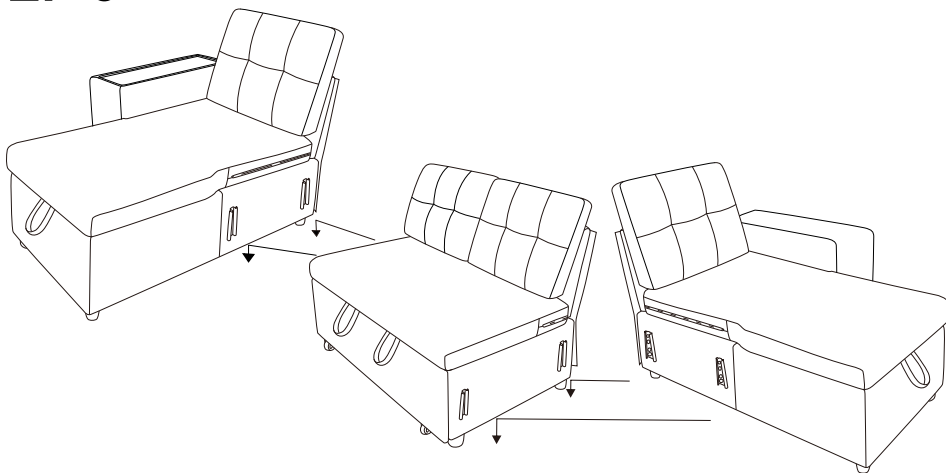
Place the accessory
on the latch as shown.

STEP 2



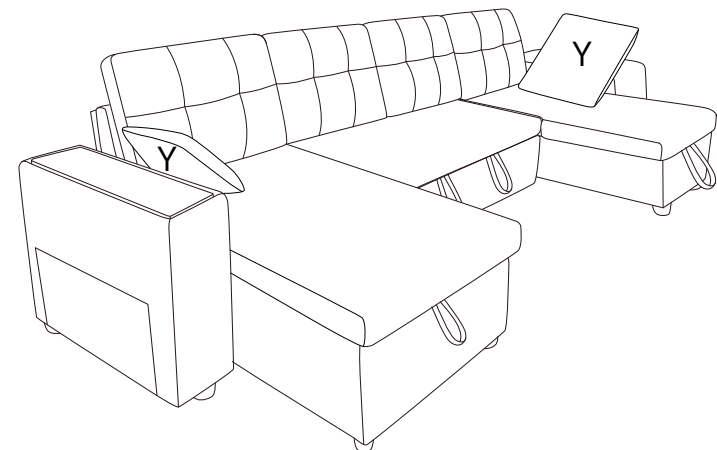
Place the accessory
on the latch as shown.

STEP 3



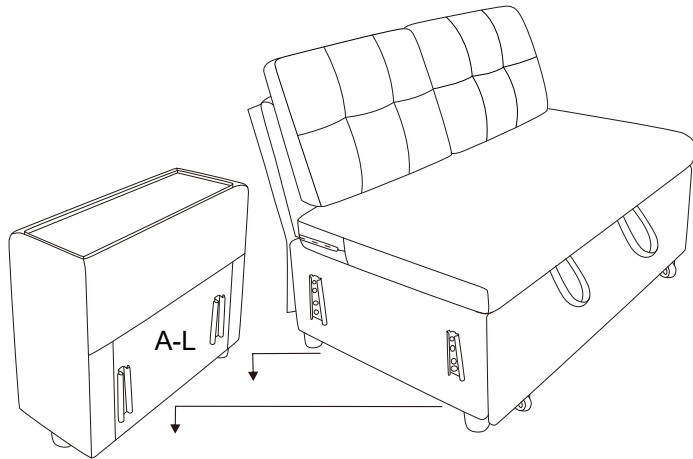
Place the accessory
on the latch as shown.

STEP 4



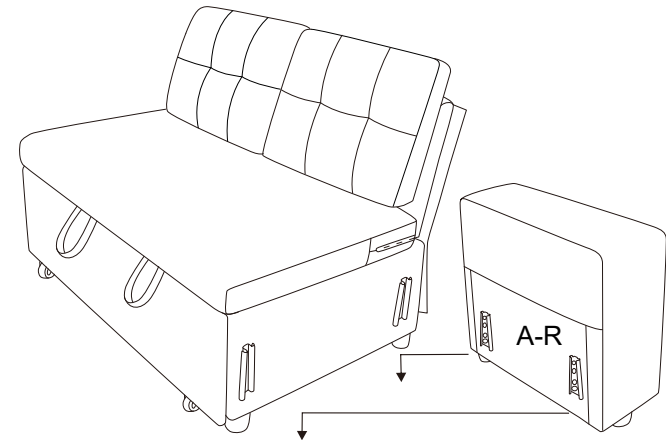
Configuration4 A+C+C

STEP 1



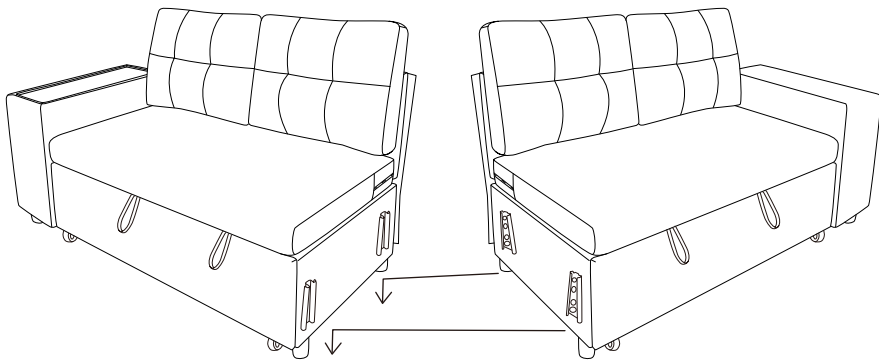
Place the accessory
on the latch as shown.

STEP 2



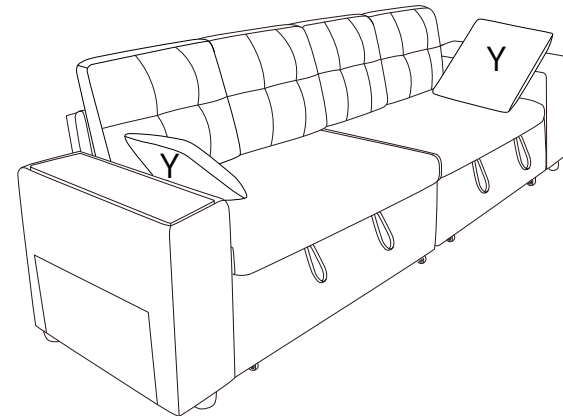
Place the accessory
on the latch as shown.

STEP 3

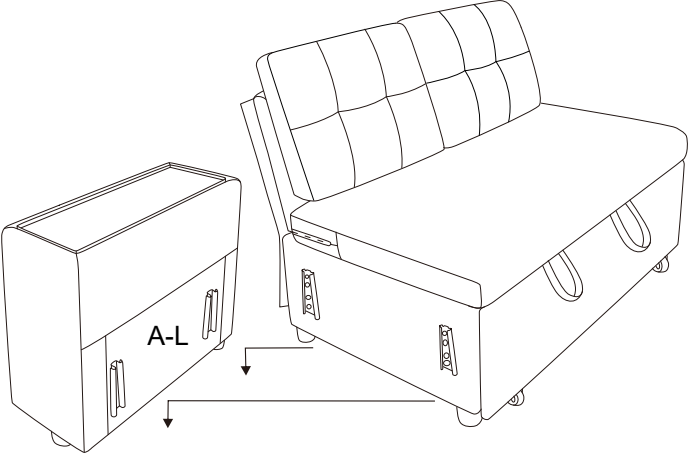


Place the accessory
on the latch as shown.

STEP 4

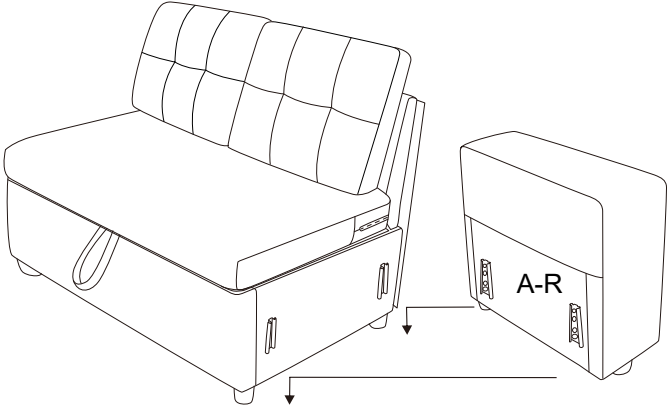


STEP 1



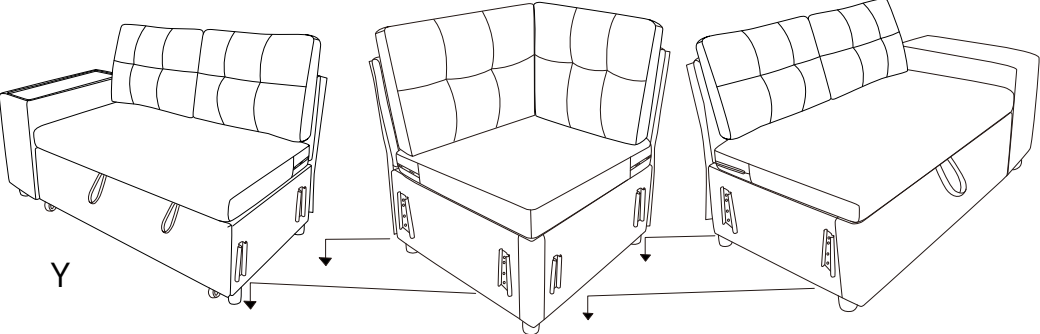
Place the accessory on the latch as shown.

STEP 2



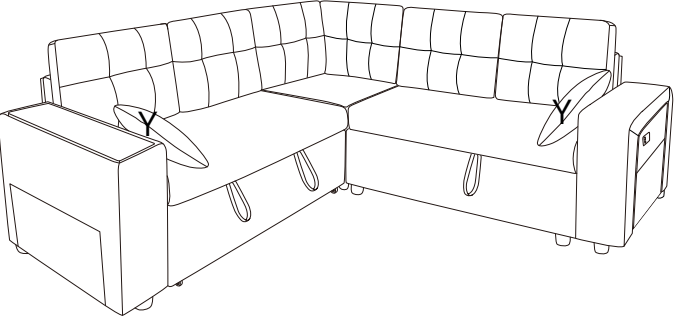
Place the accessory on the latch as shown.

STEP 3



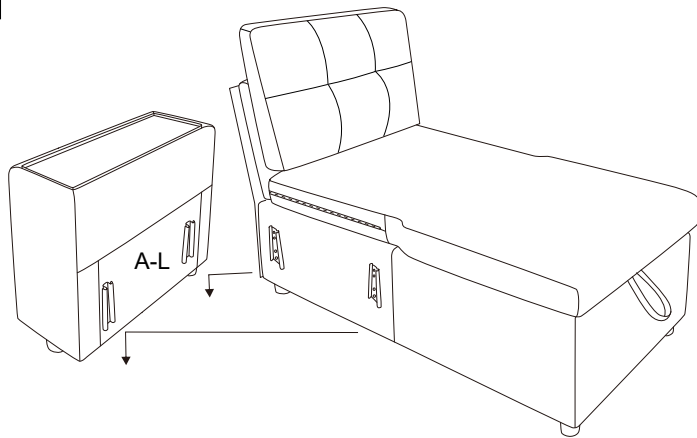
Place the accessory on the latch as shown.

STEP 4



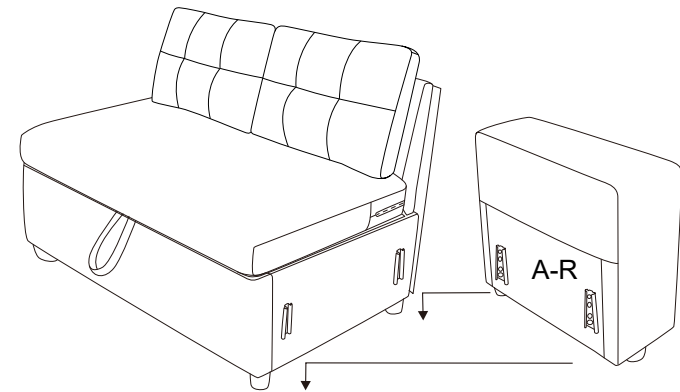
Configuration 5 A+B+C+D

STEP 1



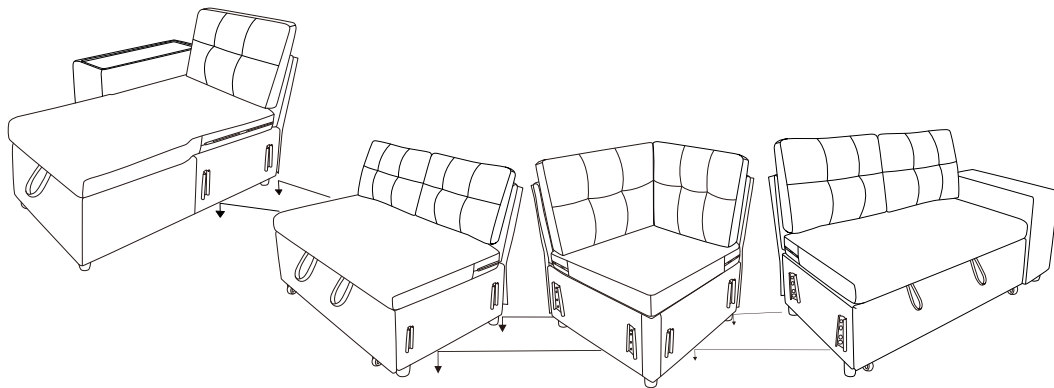
Place the accessory
on the latch as shown.

STEP 2



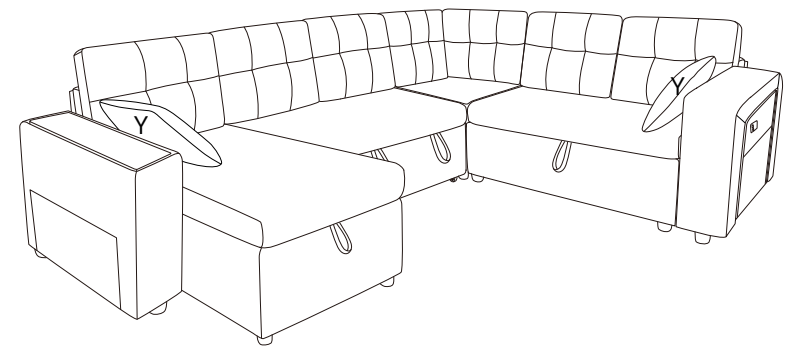
Place the accessory
on the latch as shown.

STEP 3



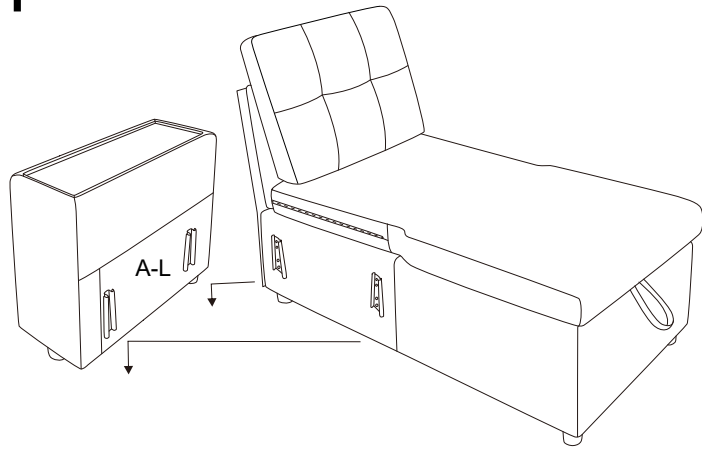
Place the accessory
on the latch as shown.

STEP 4



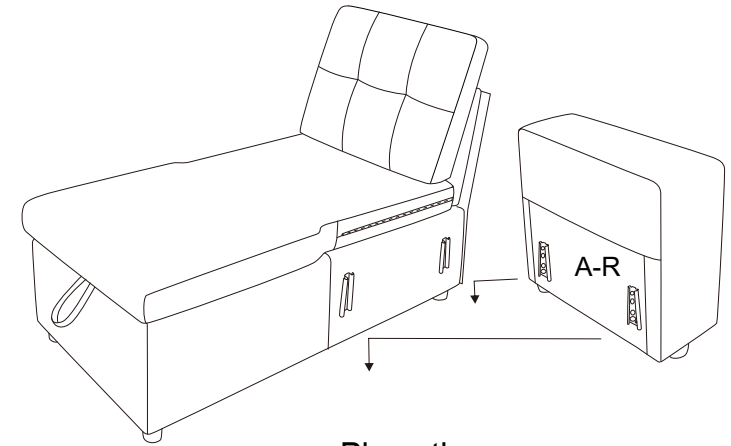
Configuration7 A+E+E

STEP 1



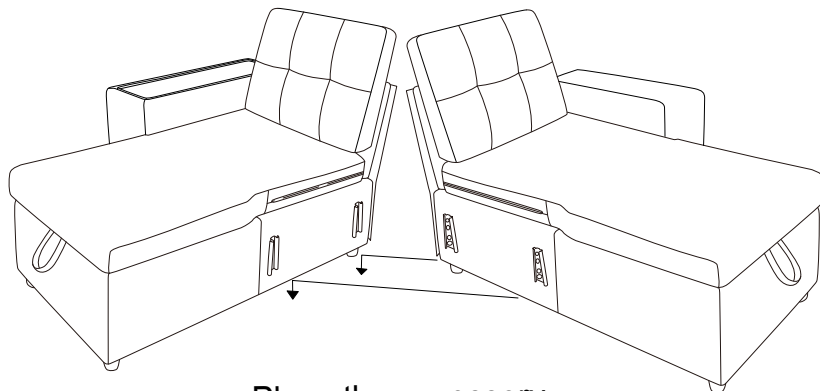
Place the accessory
on the latch as shown.

STEP 2



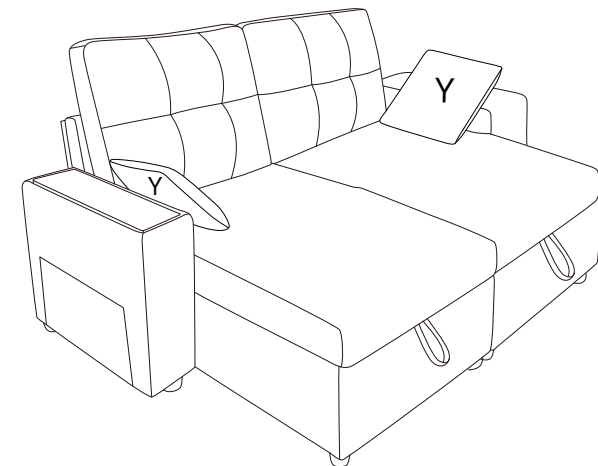
Place the accessory
on the latch as shown.

STEP 3



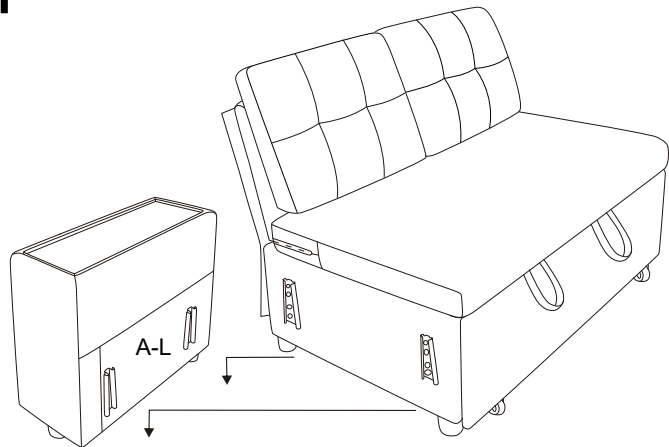
Place the accessory
on the latch as shown.

STEP 4



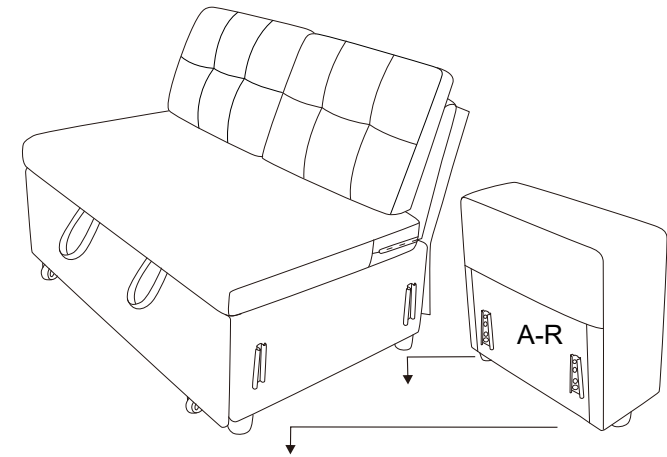
Configuration8 A+B+C+C+D+D

STEP 1



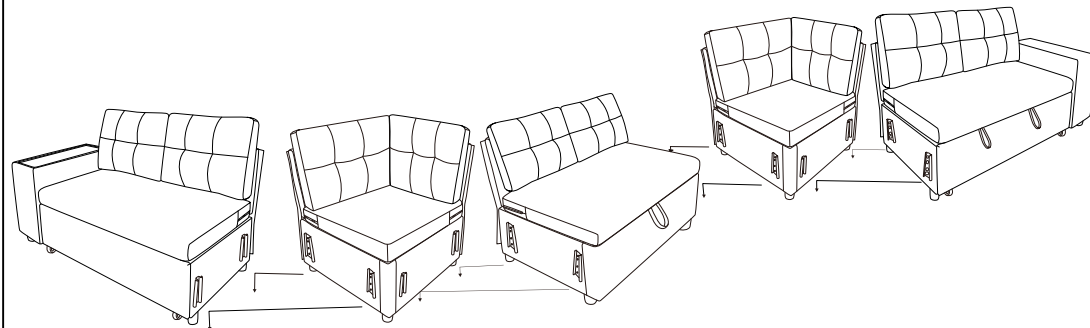
Place the accessory
on the latch as shown.

STEP 2



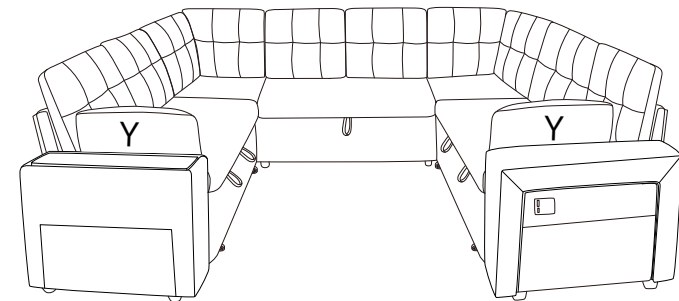
Place the accessory
on the latch as shown.

STEP 3



Place the accessory
on the latch as shown.

STEP 4



If in any case, you are not 100% happy with the item received, would you please contact us first and give us a chance to make it right for you? All of our products are covered by warranty and we will do our best to address any of your concerns. We are dedicated to your 100% satisfaction with your order.