

## **READ & SAVE BELOW INSTRUCTIONS**

There are two installation methods for this product. If you are using a thick umbrella stand as shown in the figure, please use this manual.

Before beginning assembly of product, make sure all parts are present. Compare parts with package contents list and hardware contents list. If any part is missing or damaged, do not attempt to assemble the product.

Assemble the items on a stable, non-abrasive surface such as carpeting to avoid damage.

---

## **CARE AND MAINTENANCE**

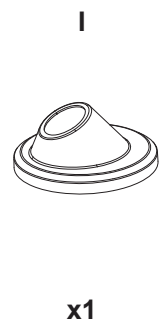
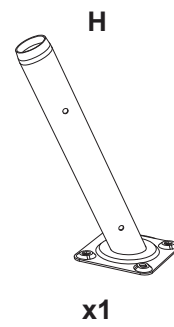
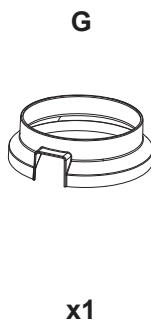
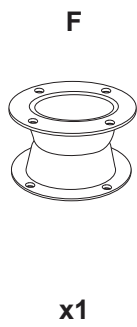
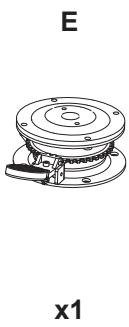
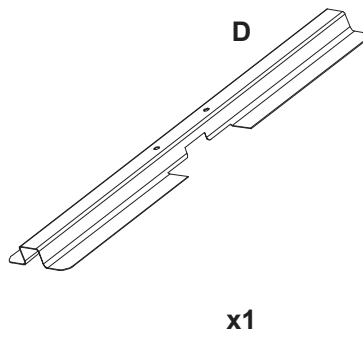
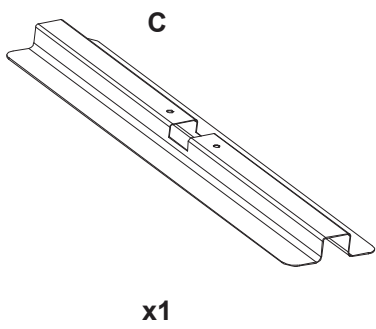
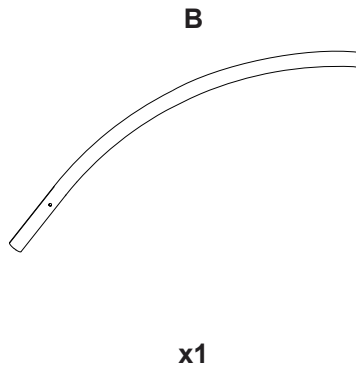
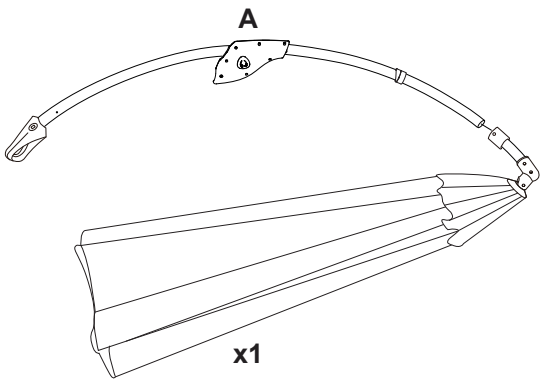
Use mild soap and warm water. Do not use abrasive materials, cleaners or bleach products. Rinse with clean water and dry thoroughly.

Water allowed to accumulate inside the frames could freeze and damage the frame tubing.

Such damage is not covered under the warranty.

During inclement weather conditions and winter period, please close the umbrella and store it in a dry area. A matching umbrella cover is strongly recommended to extend the usage life-span.

# PACKAGE CONTENTS



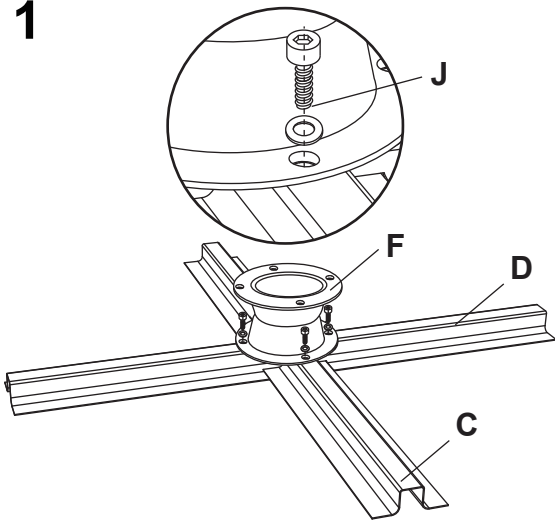
# HARDWARE CONTENTS



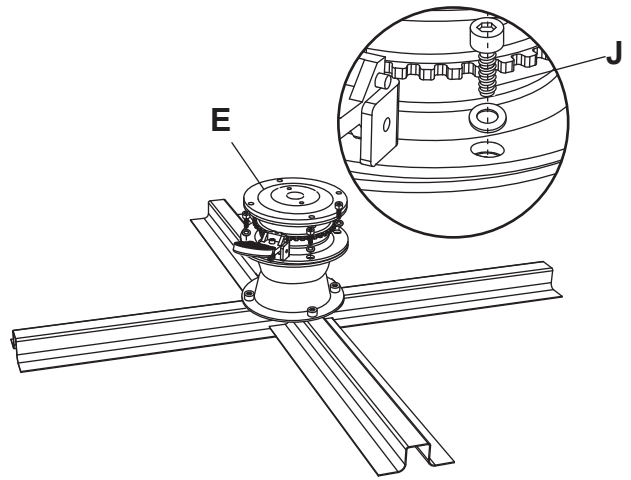
# ASSEMBLY INSTRUCTIONS

---

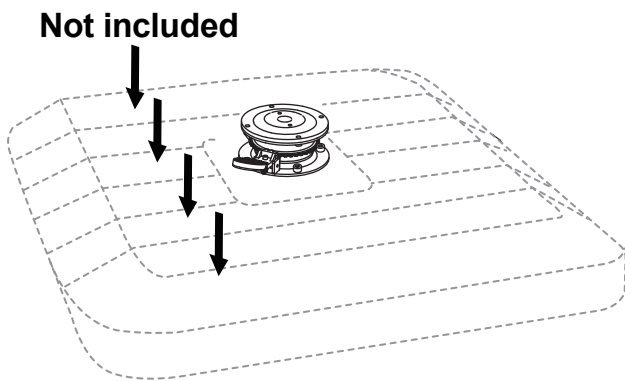
1



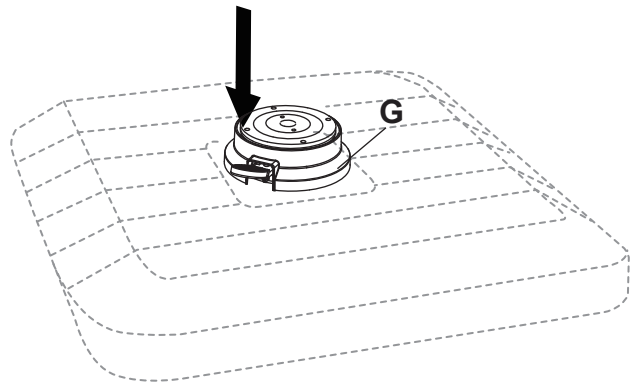
2



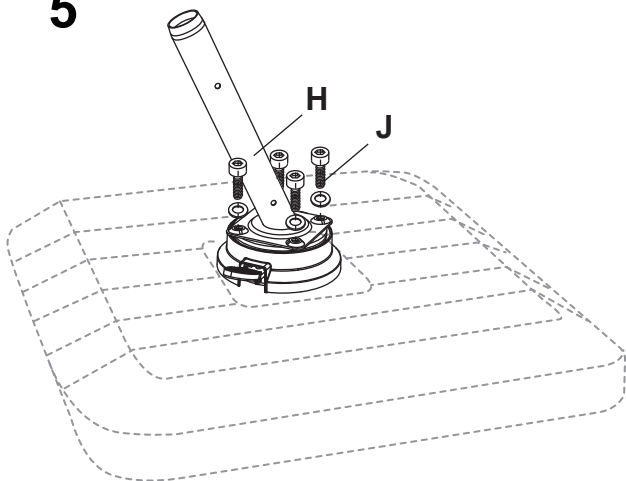
3



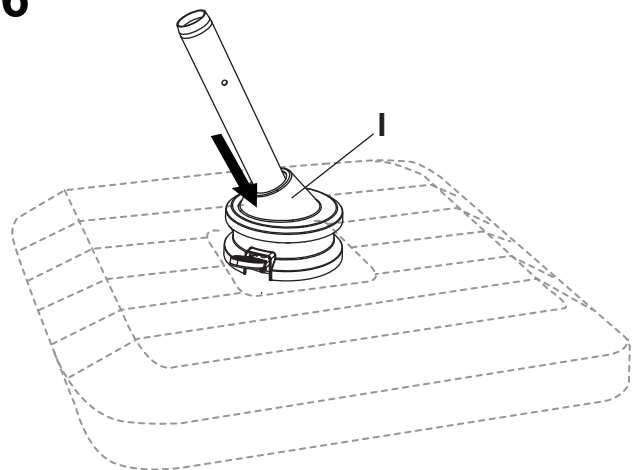
4



5

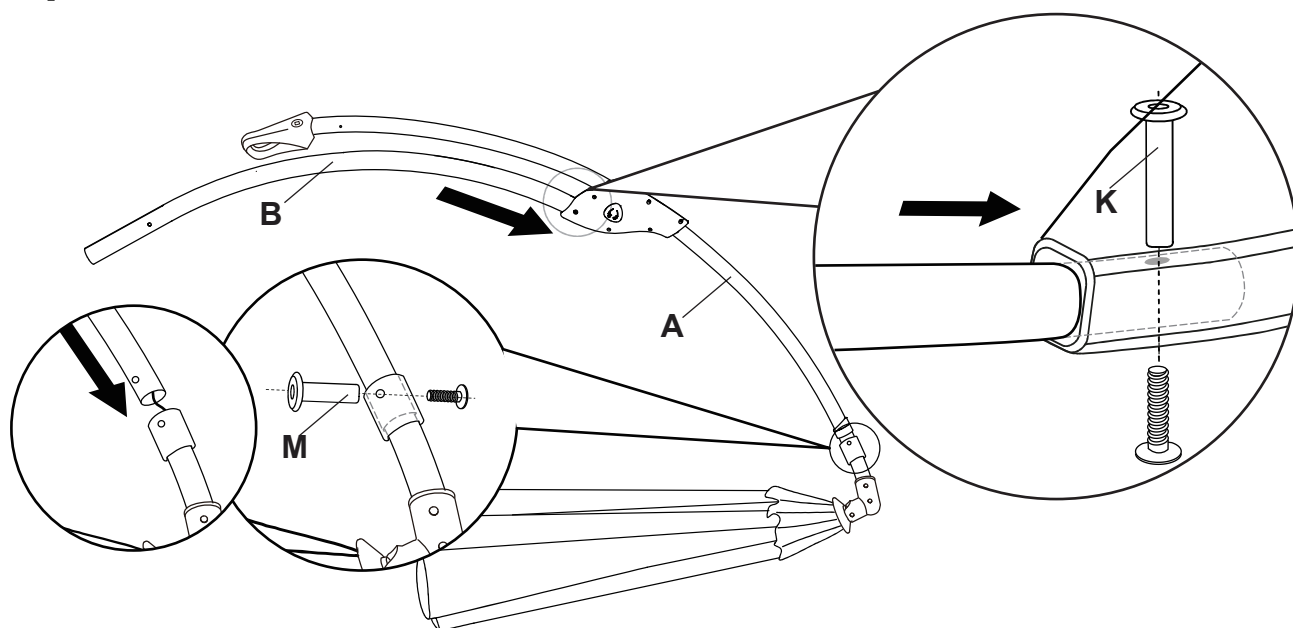


6

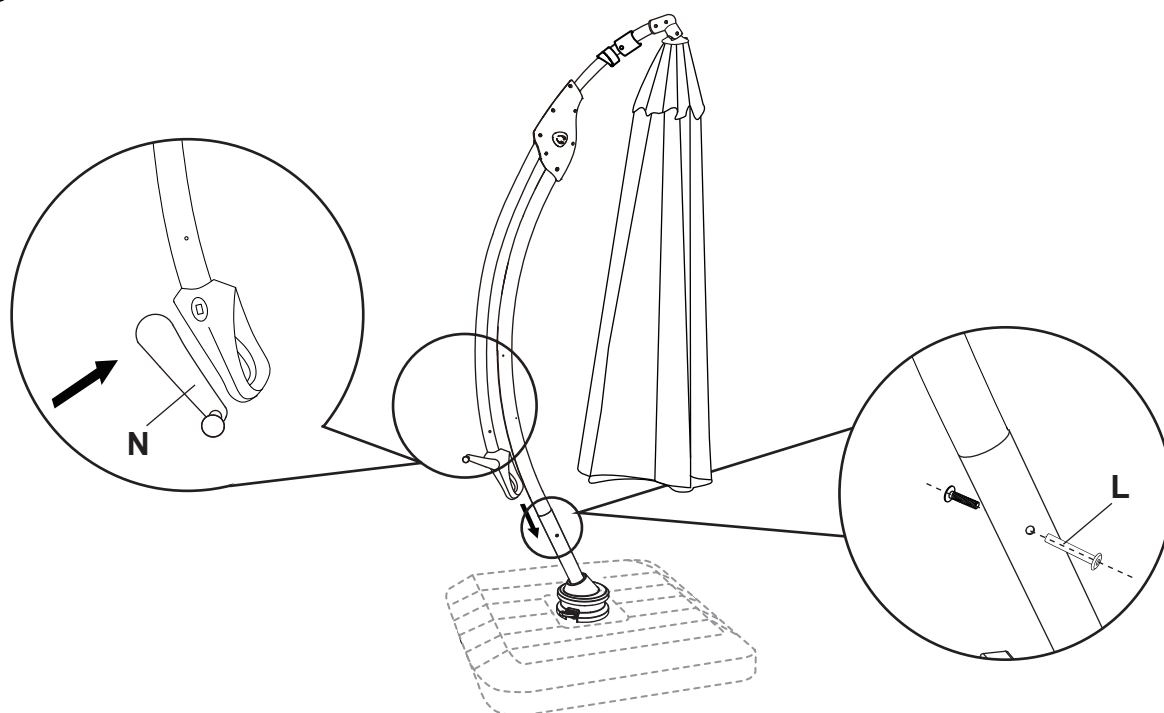


# ASSEMBLY INSTRUCTIONS

7



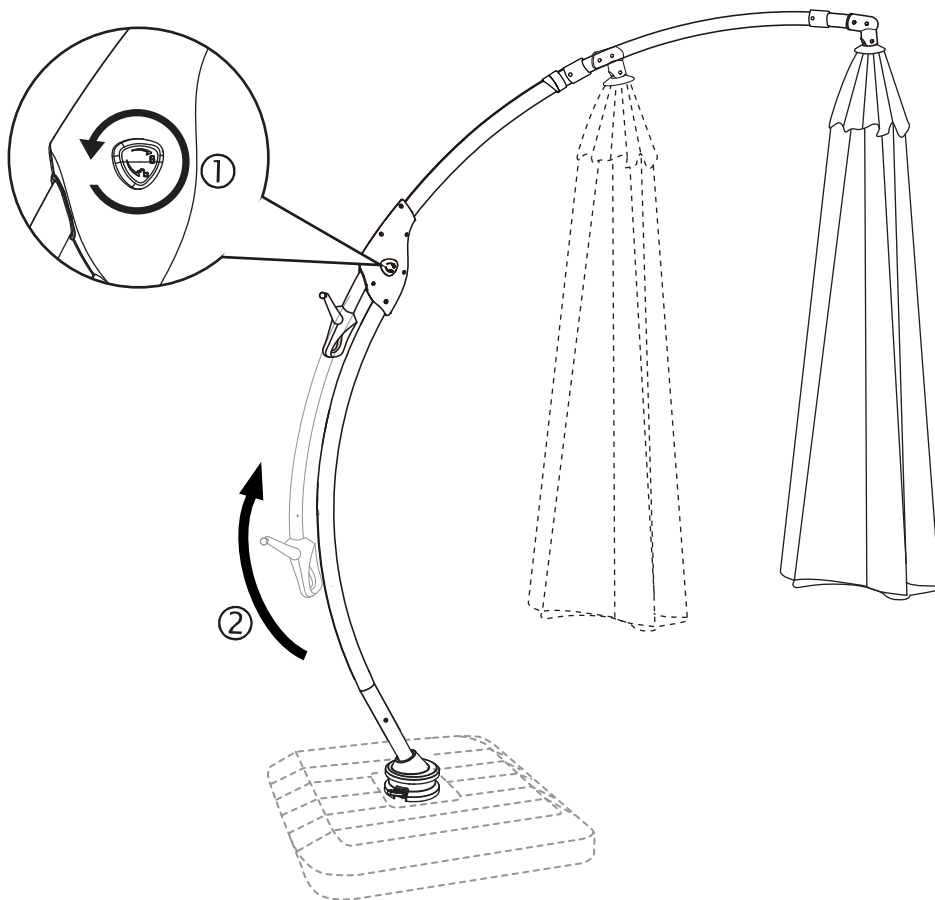
8



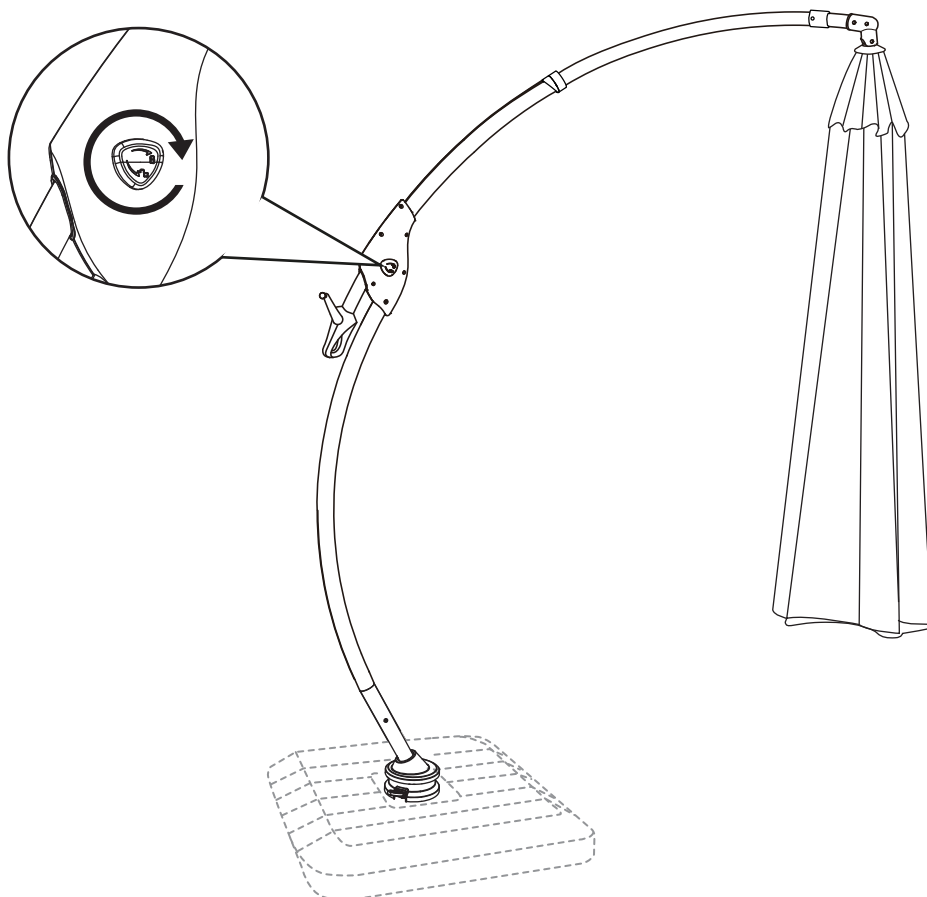
# HOW TO USE

---

1



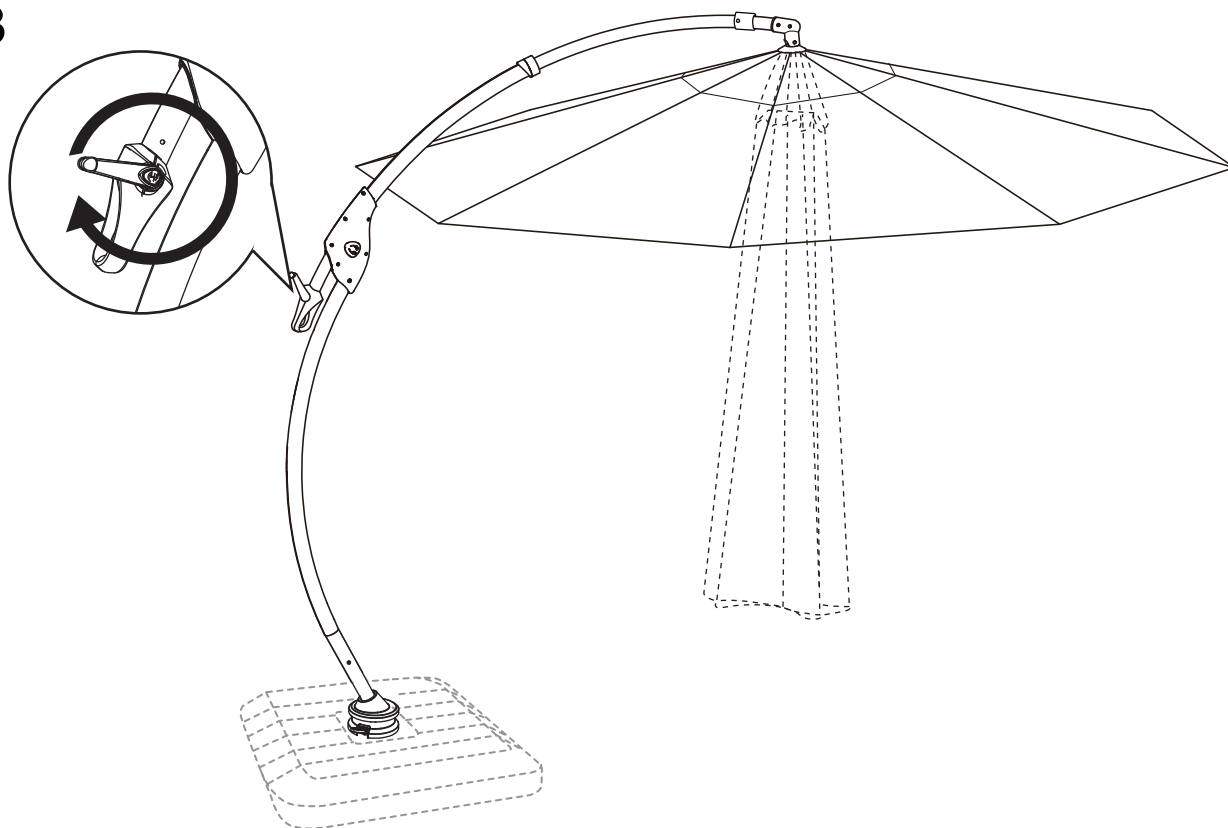
2



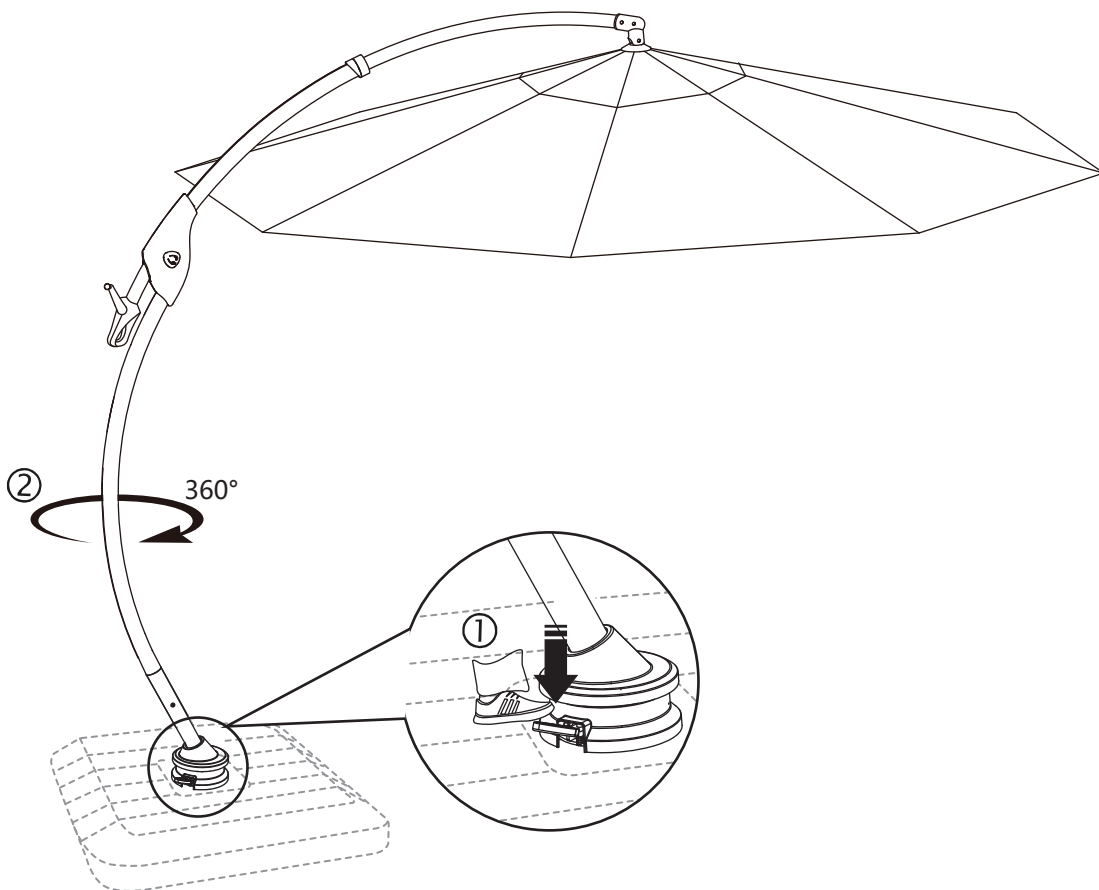
# HOW TO USE

---

3

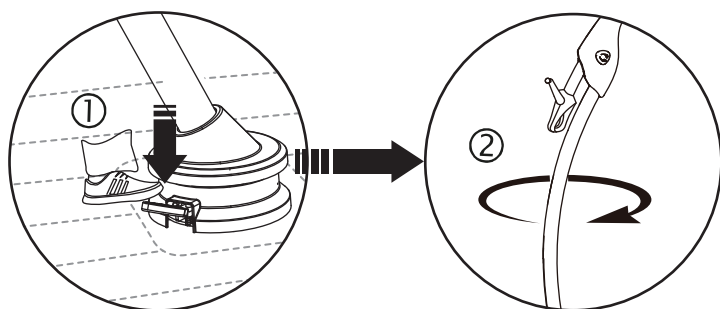
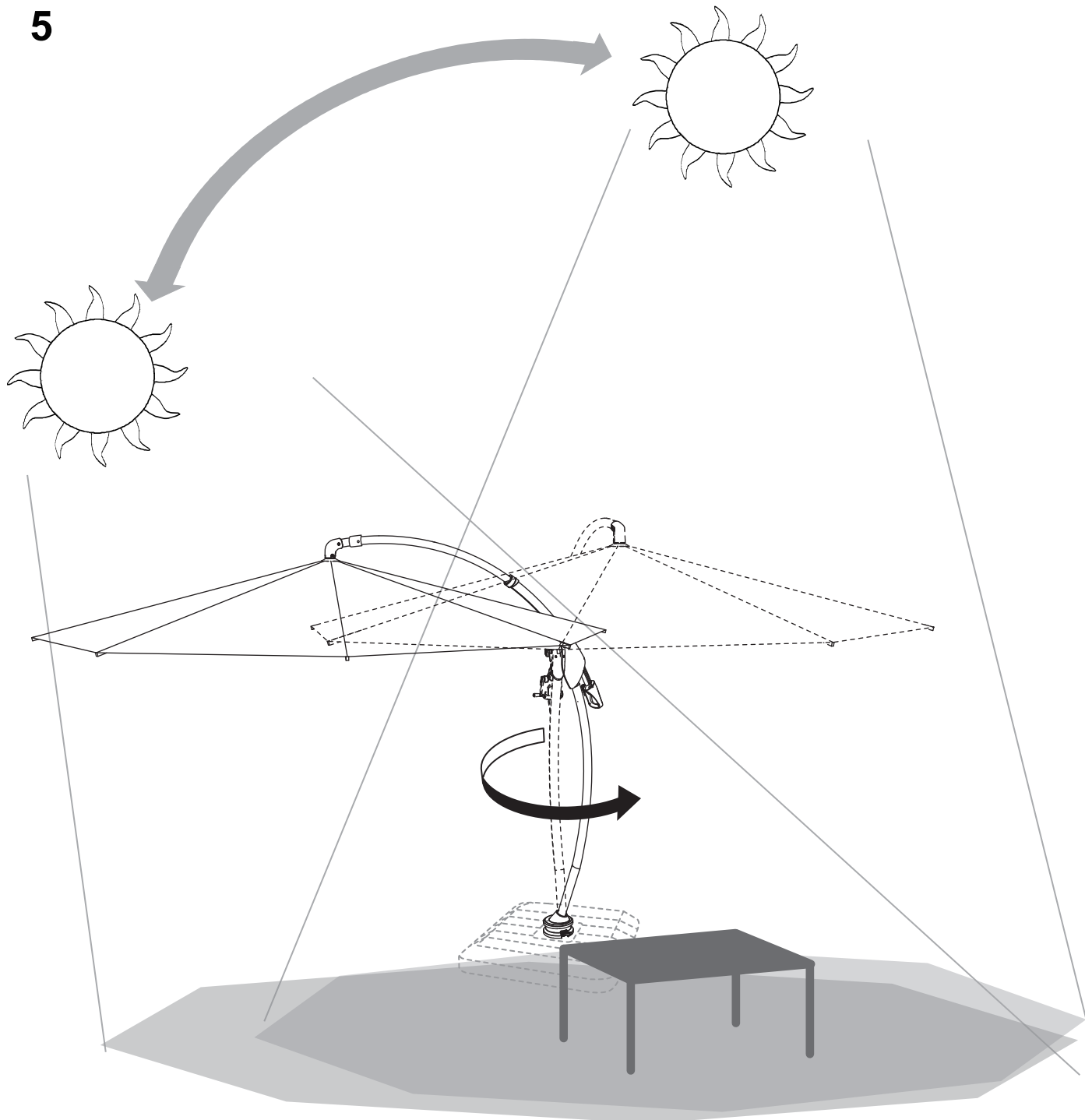


4



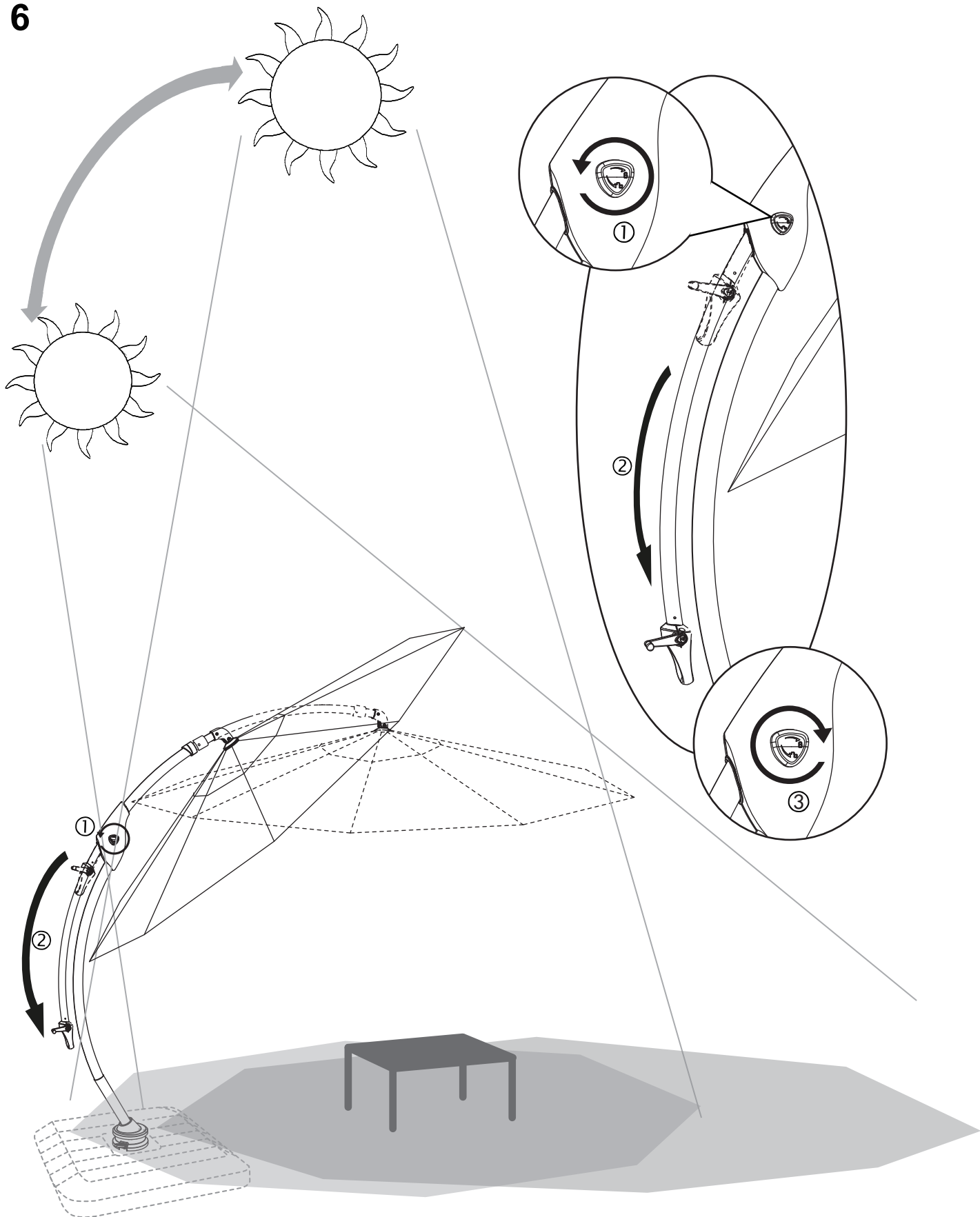
# HOW TO USE

5



# HOW TO USE

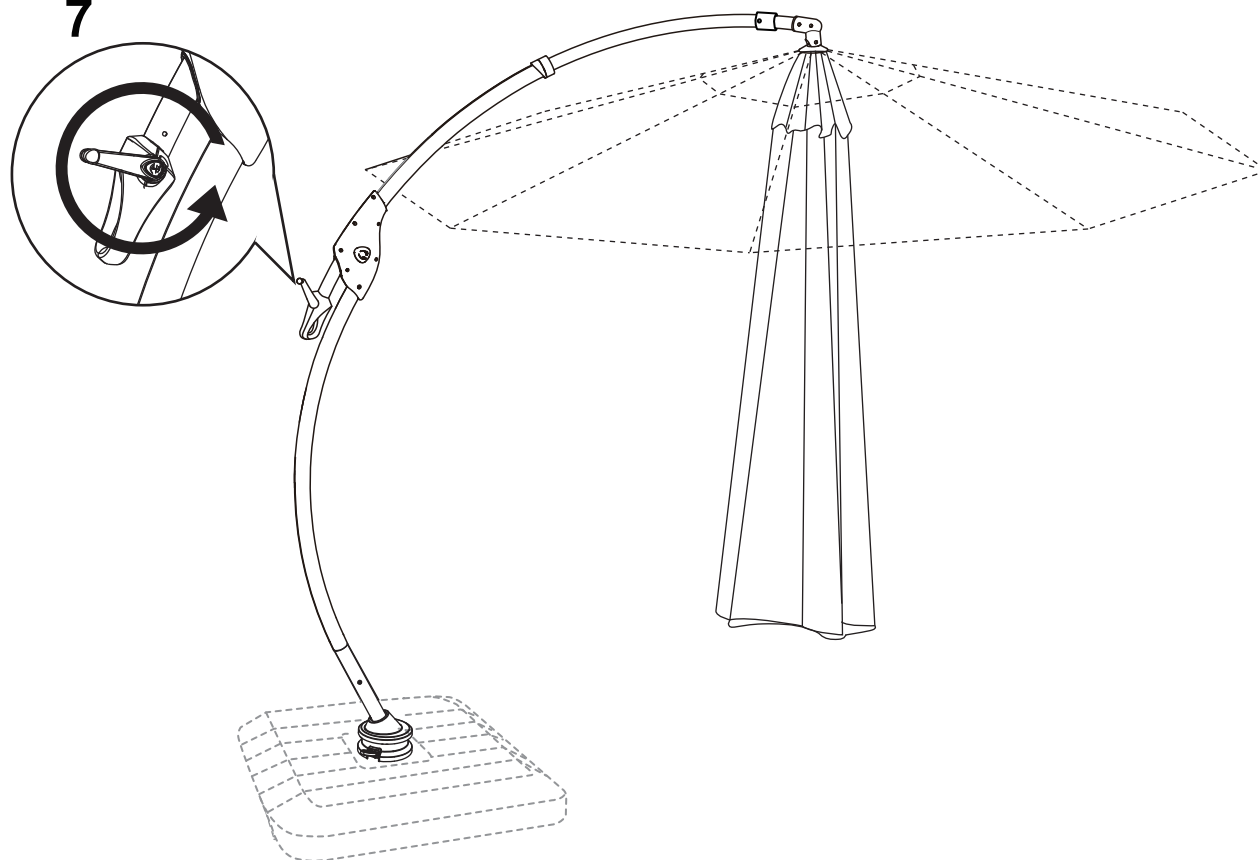
6



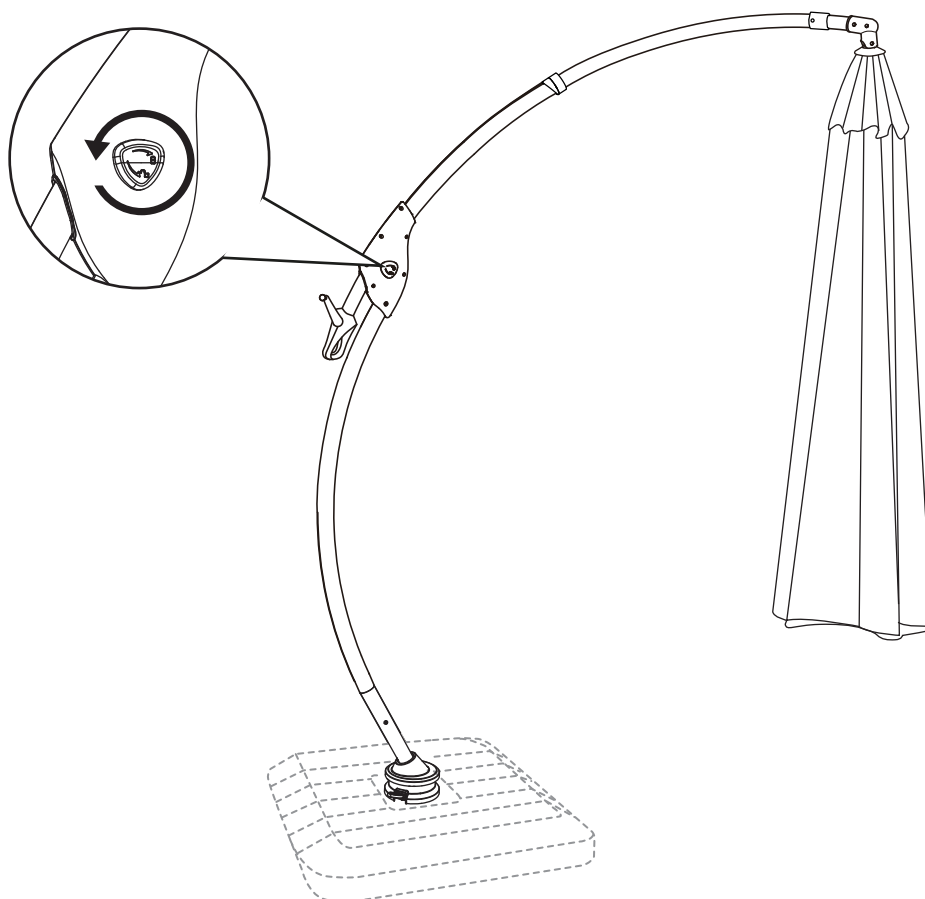
# HOW TO USE

---

7



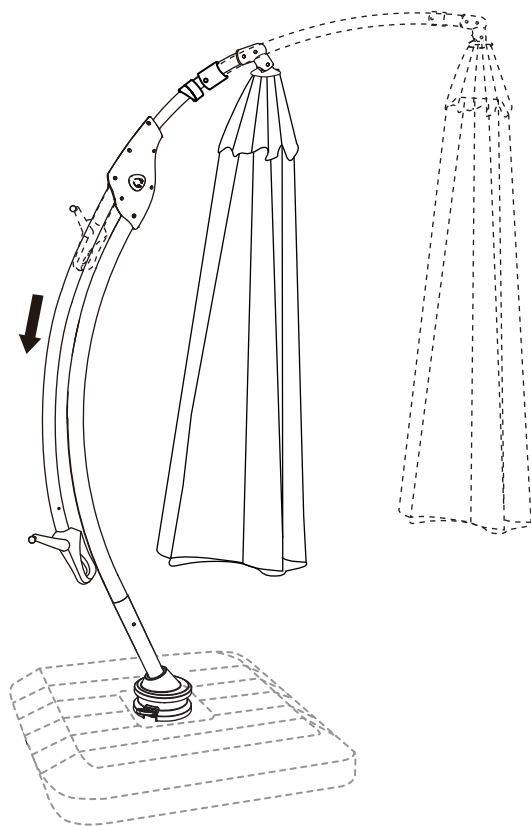
8



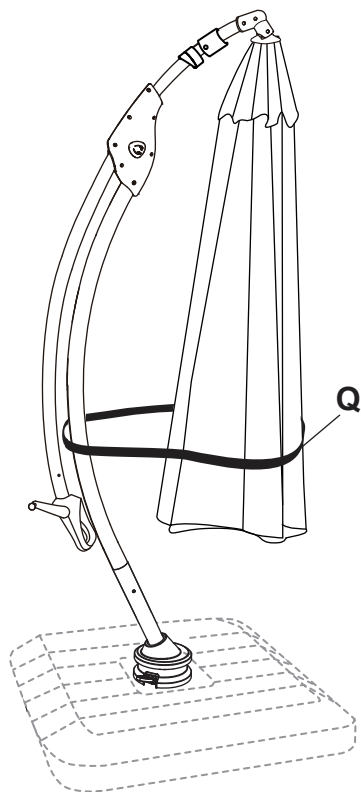
## HOW TO USE

---

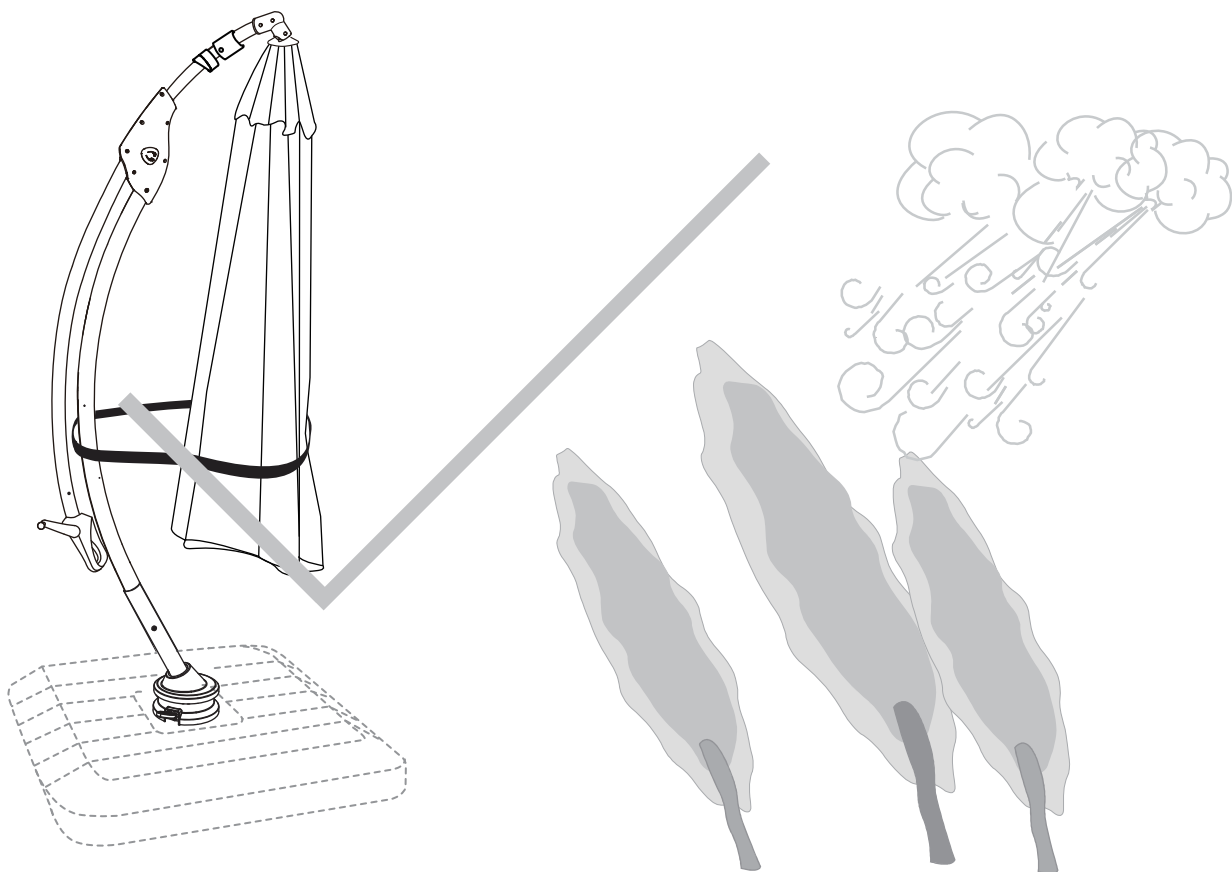
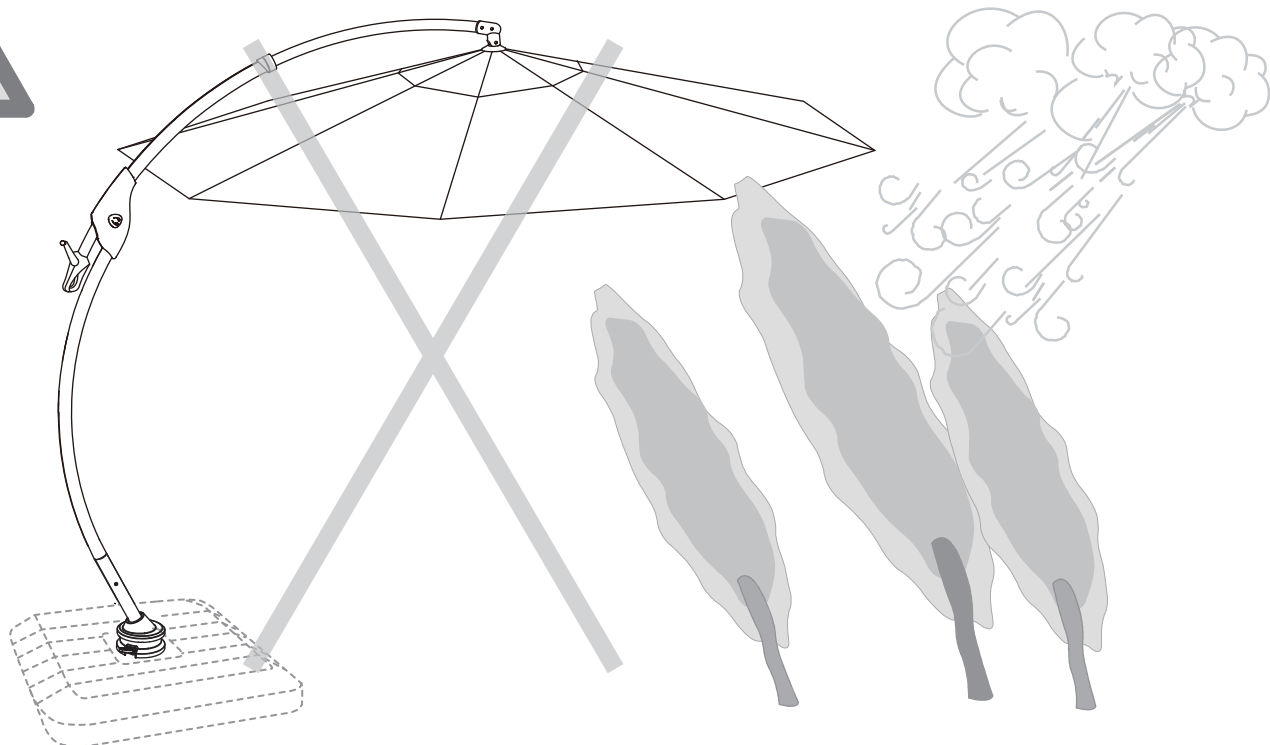
9



10



# HOW TO USE

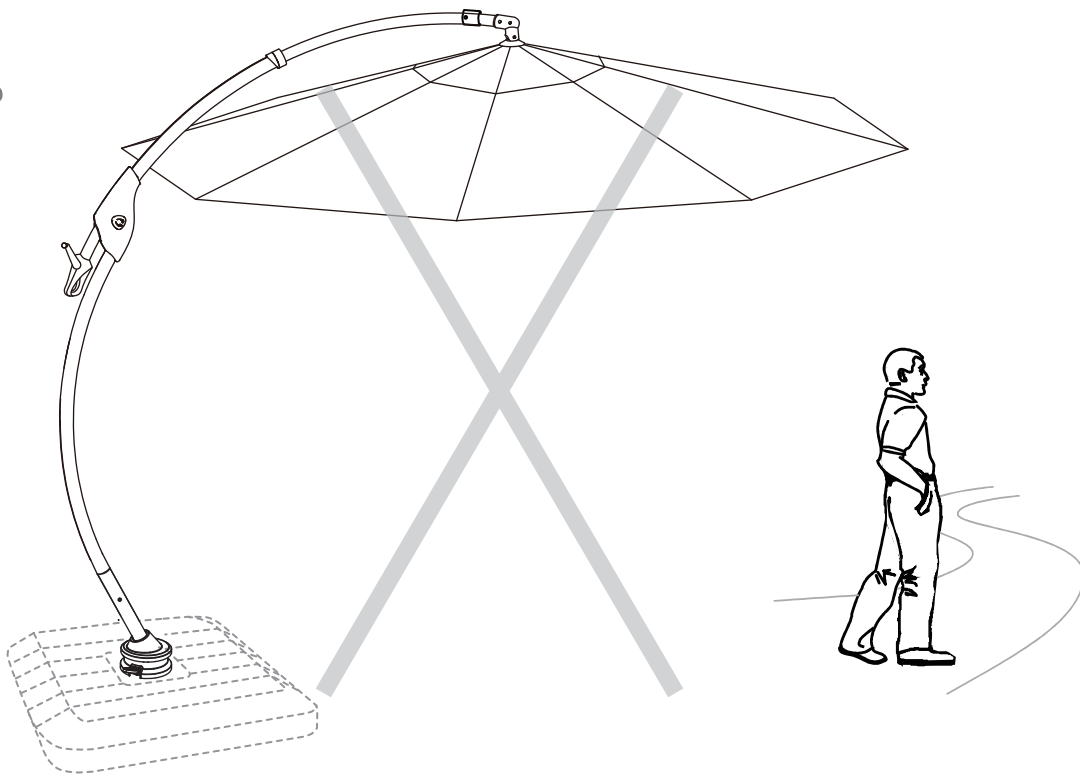


# HOW TO USE

---



Do not leave unattended



Secure with P strap when not in use

