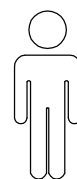
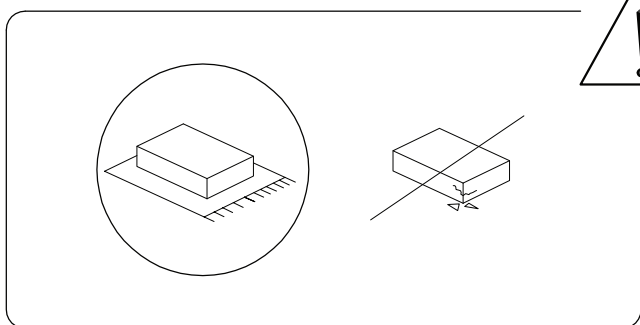
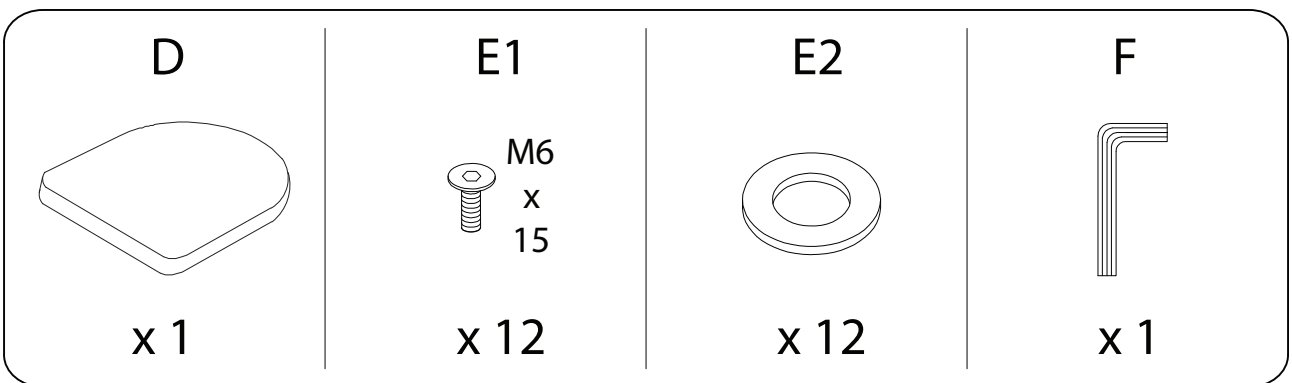
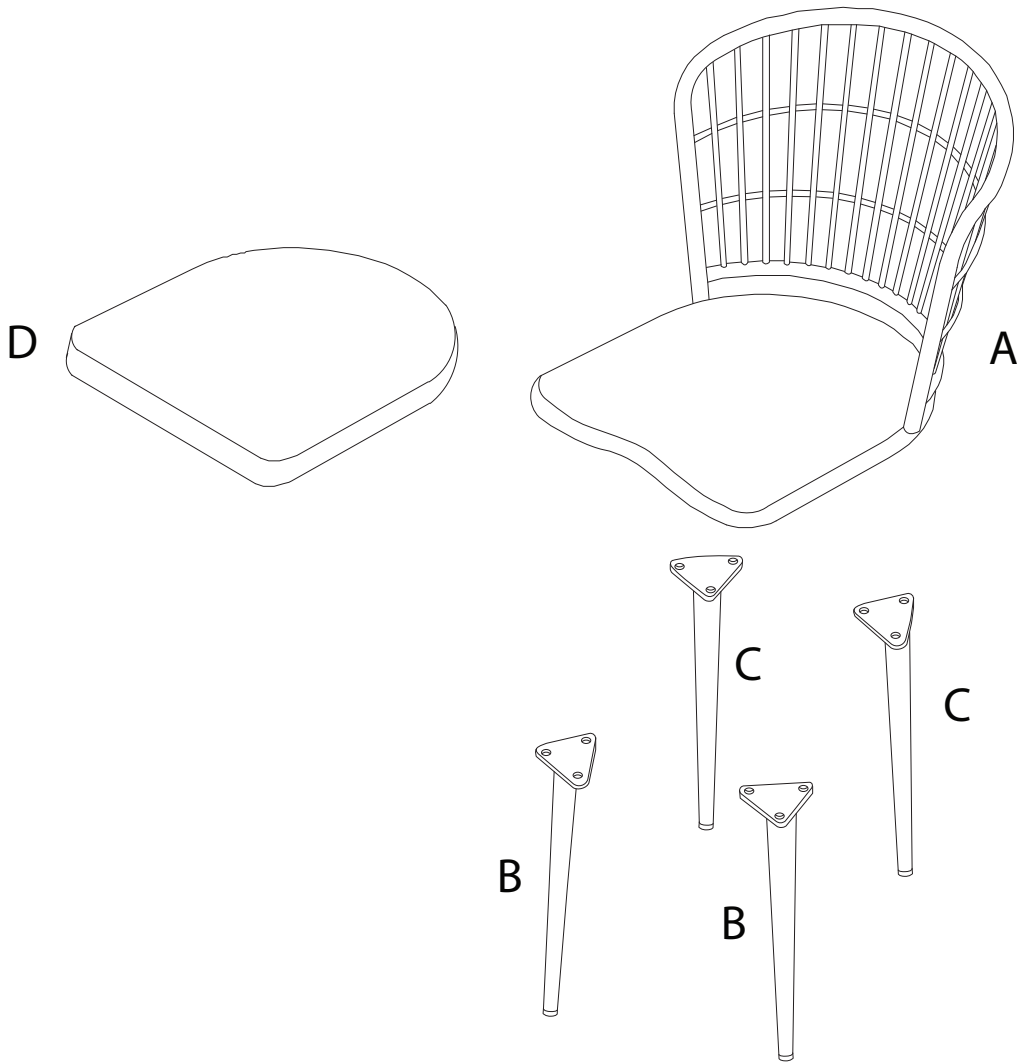
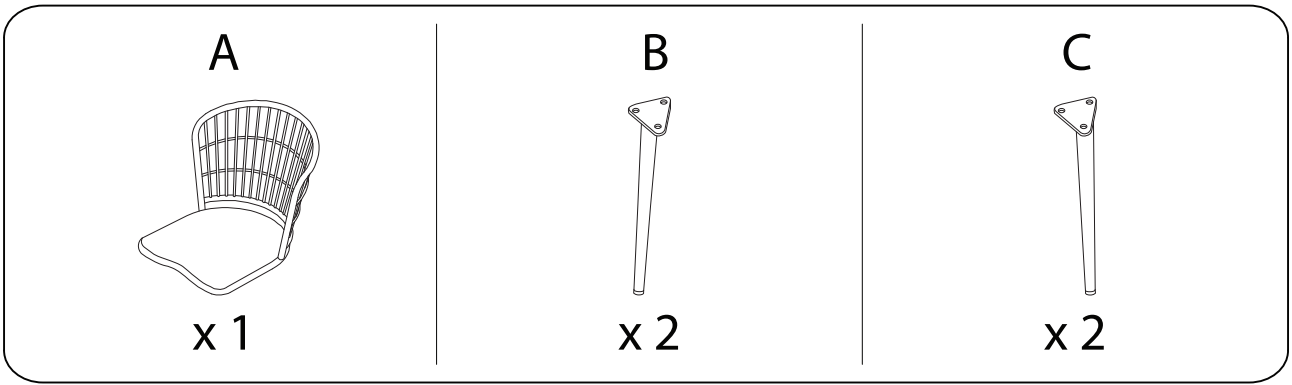


50'

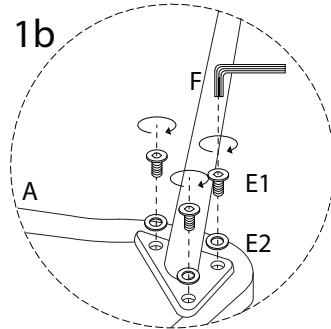
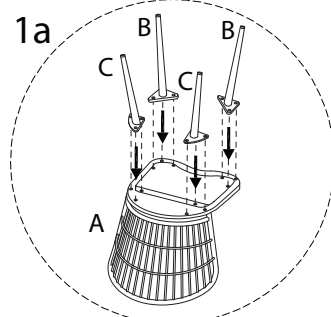
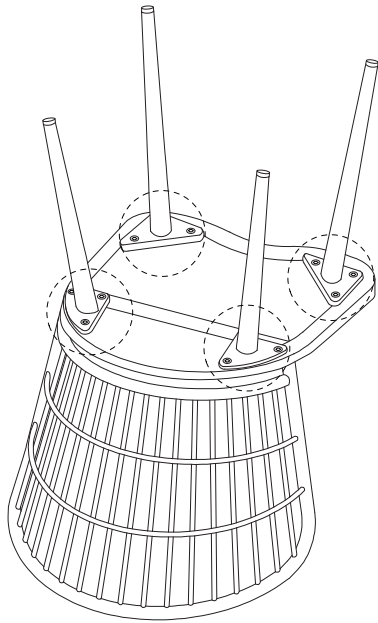
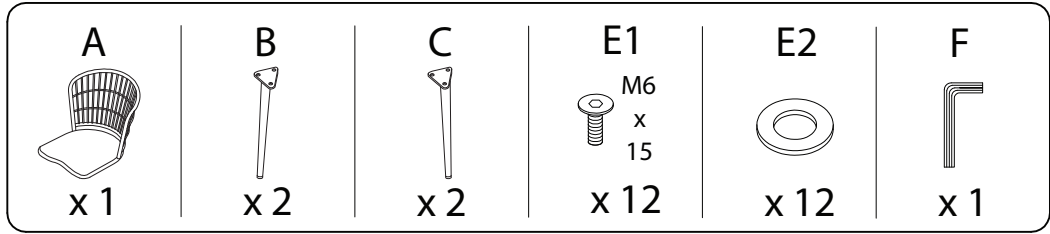


2

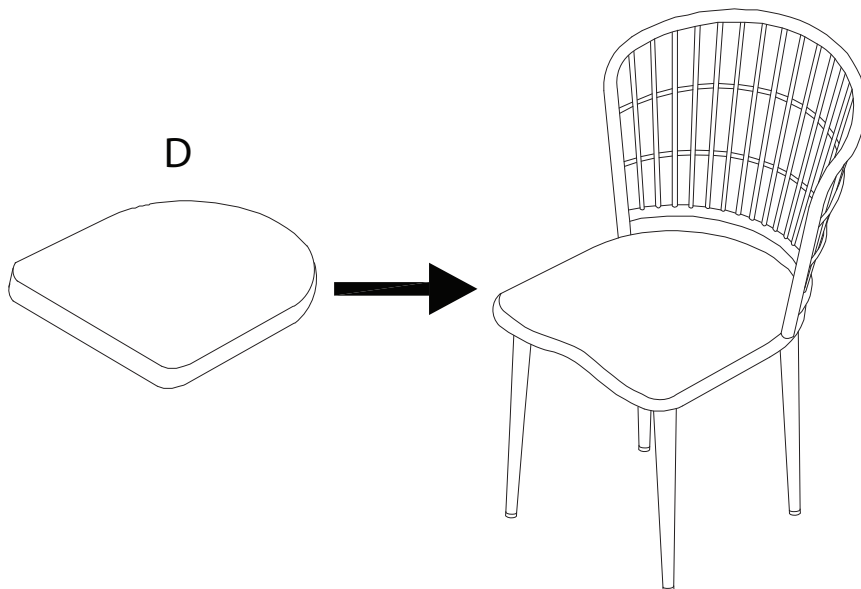
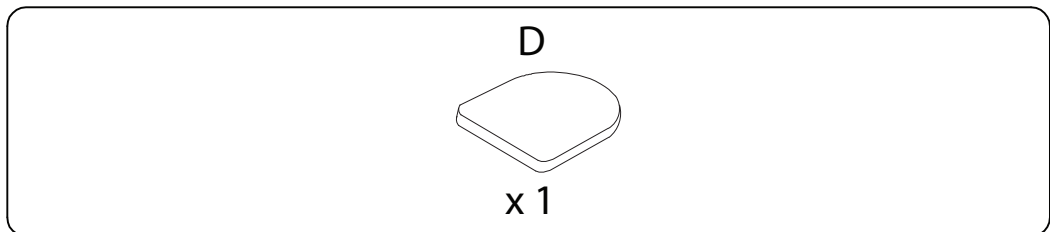
A x 4



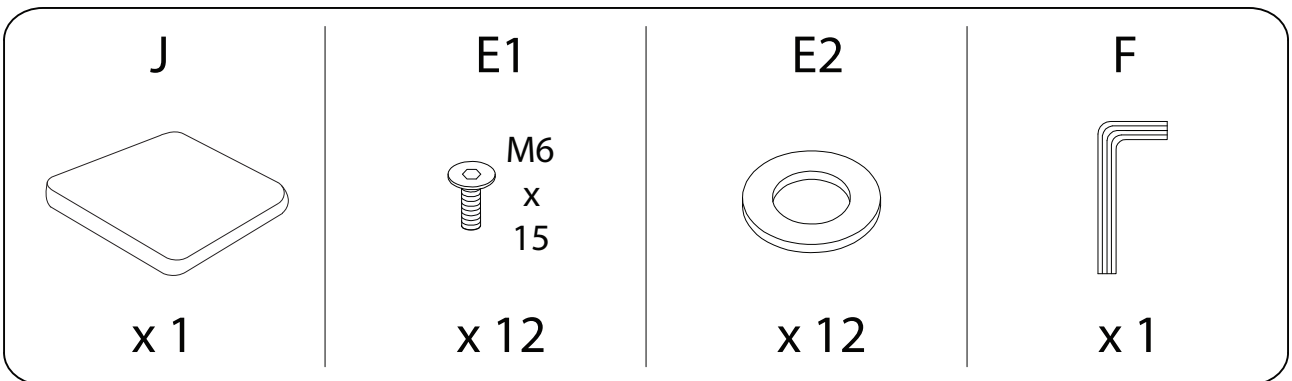
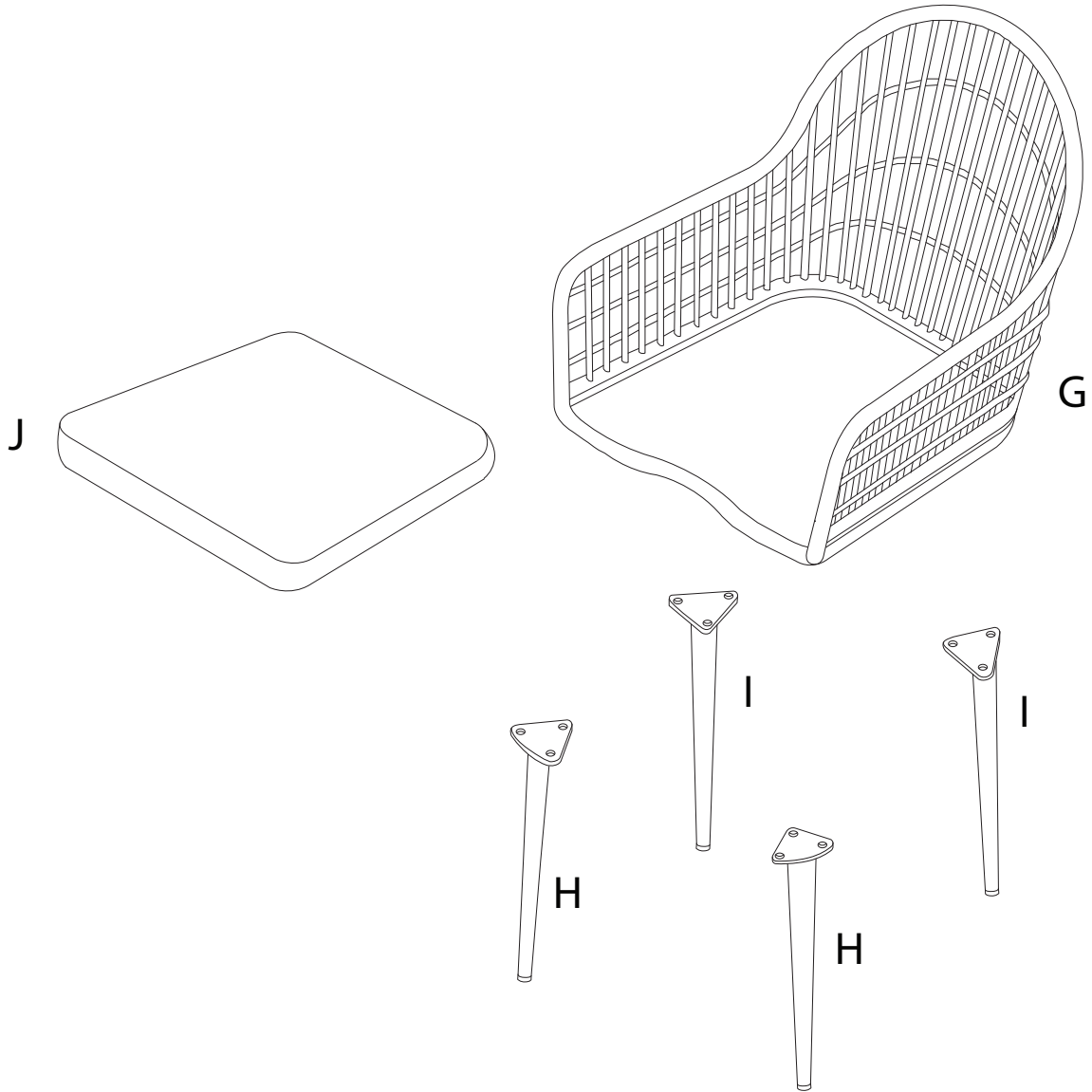
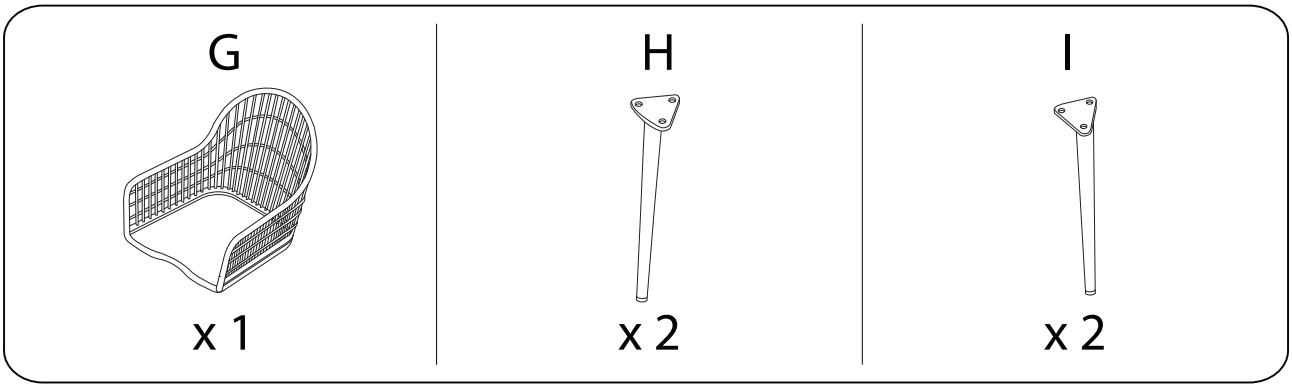
1



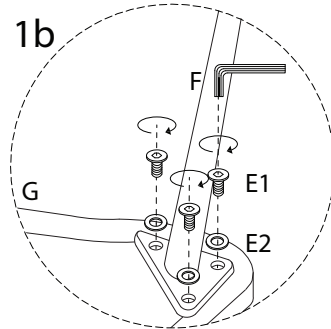
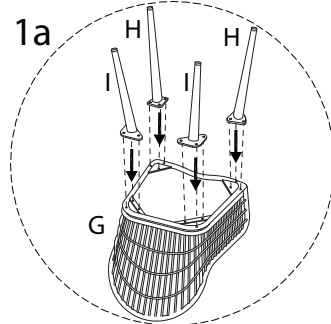
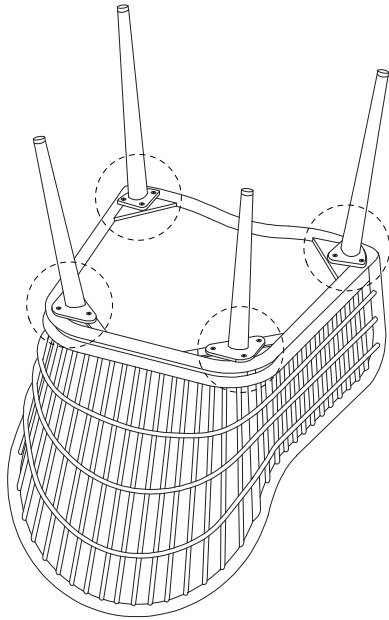
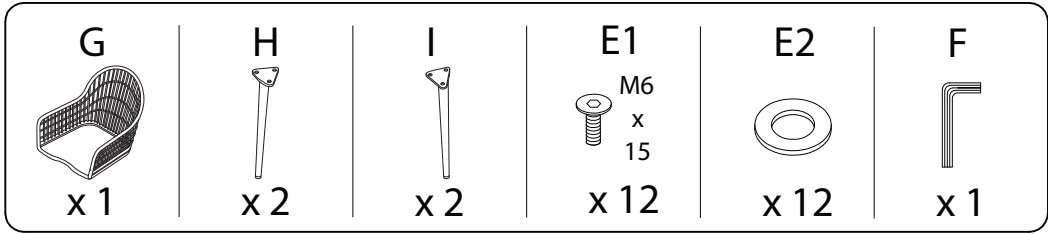
2



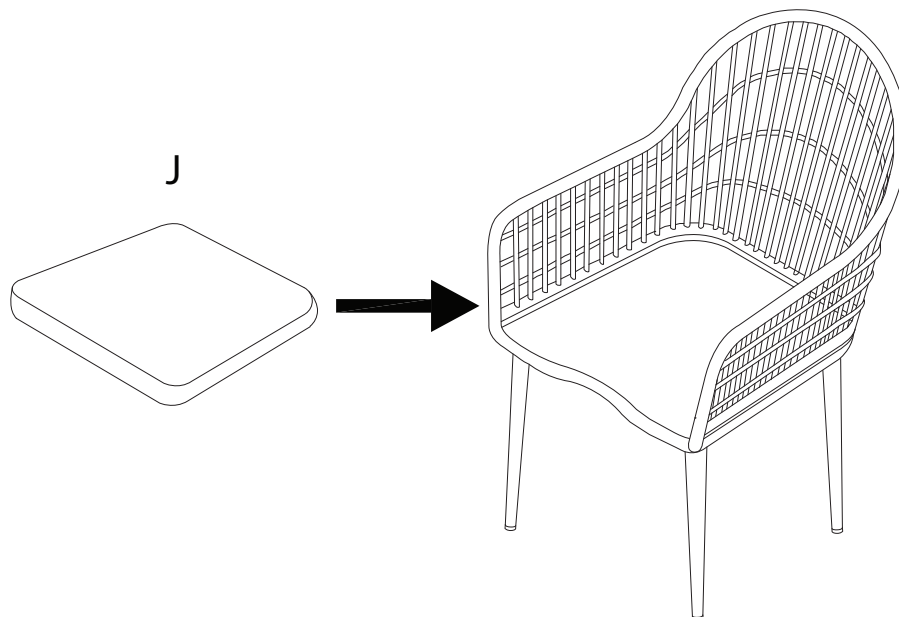
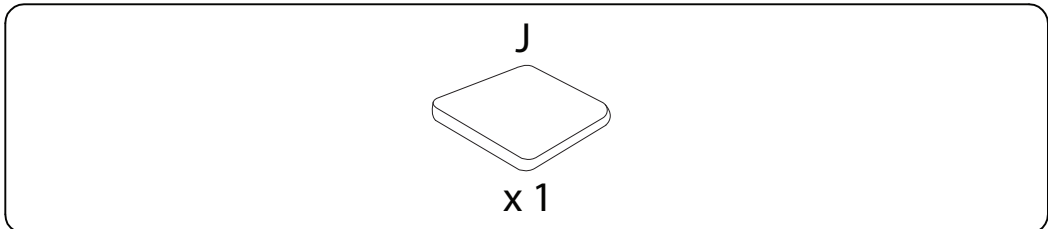
# B x 2



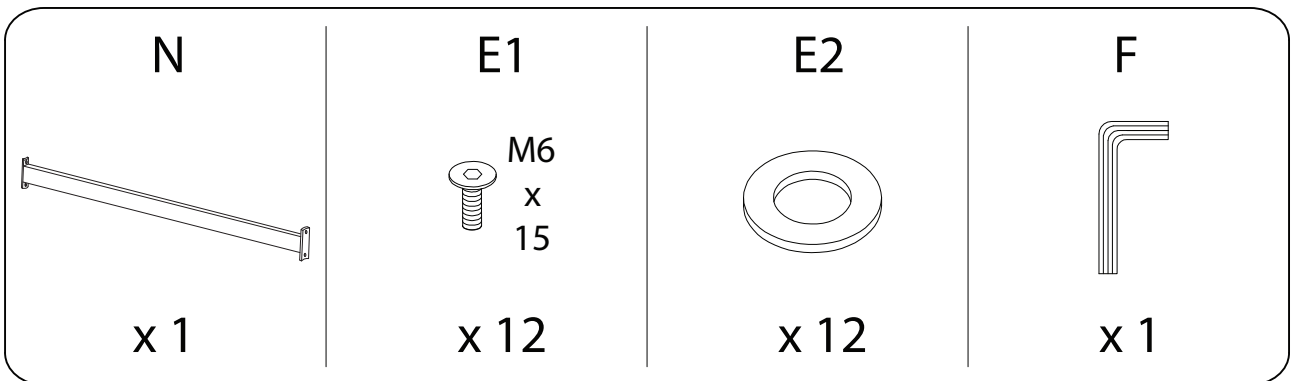
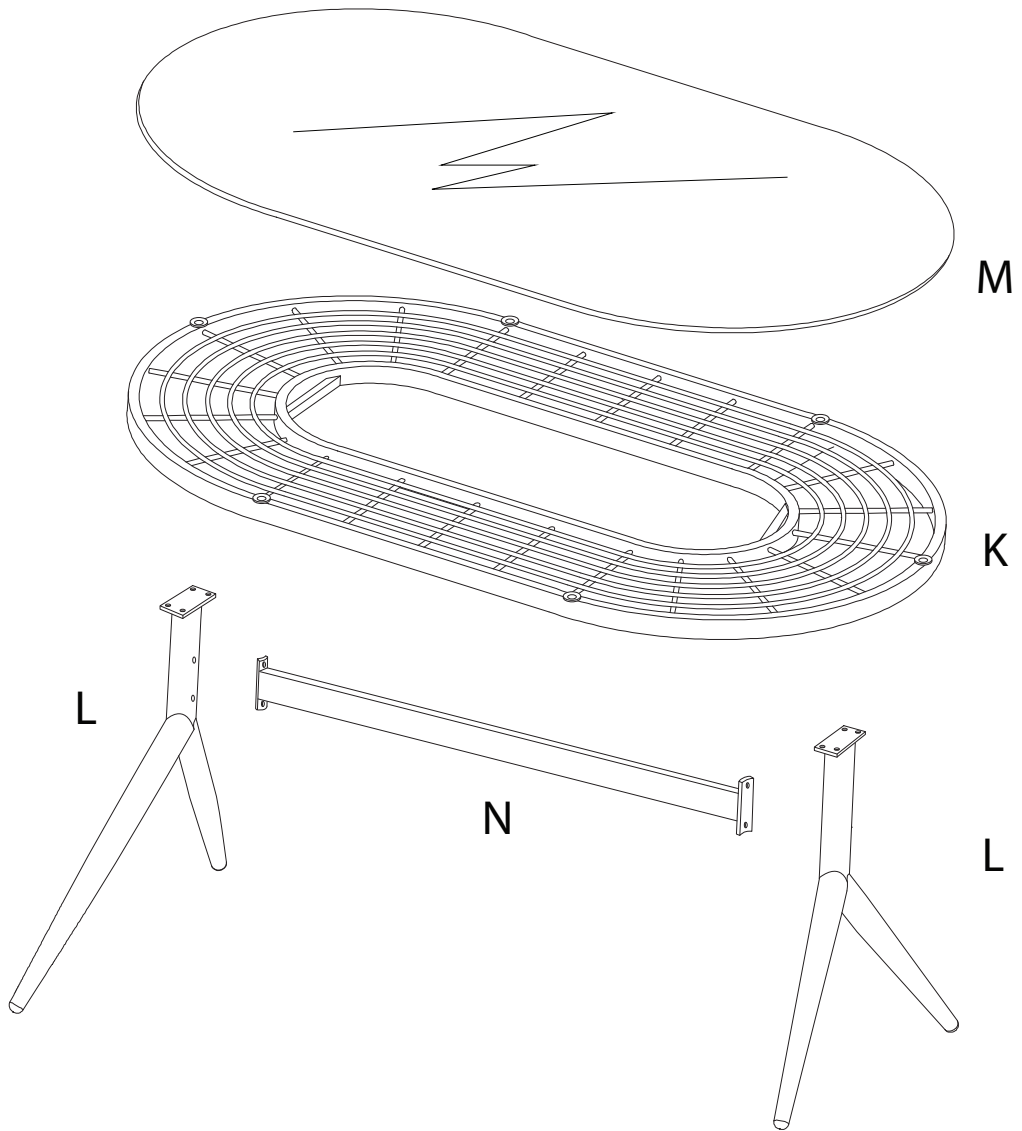
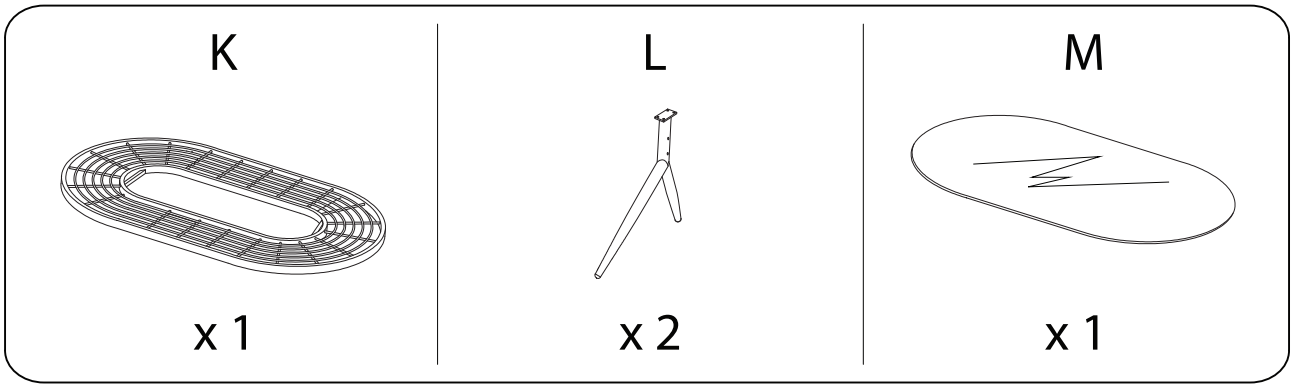
1



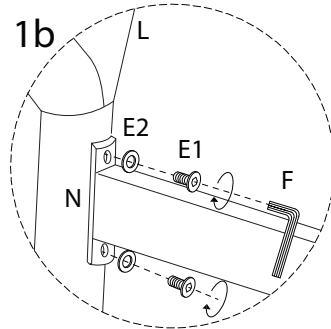
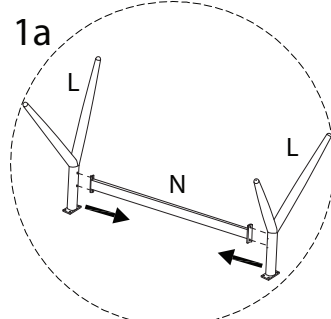
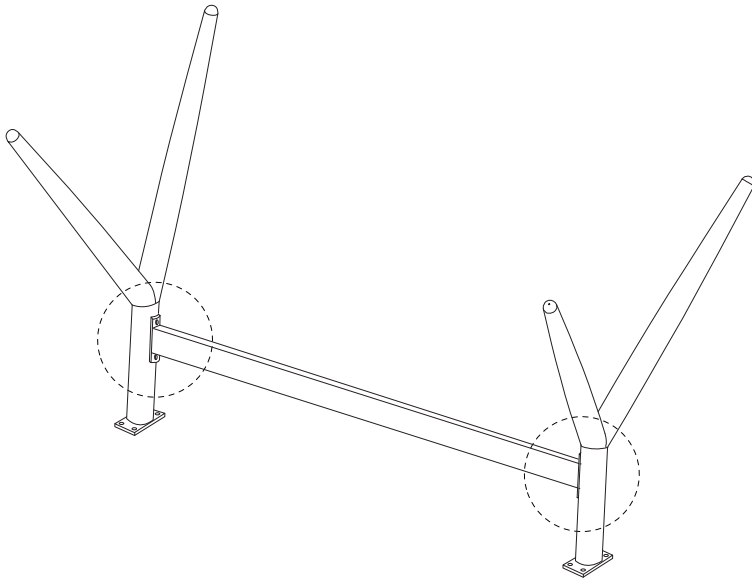
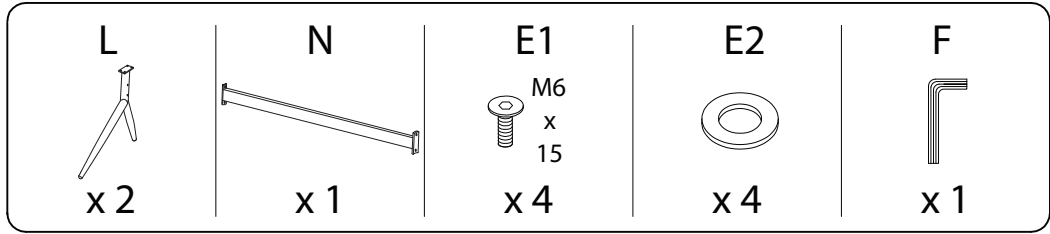
2



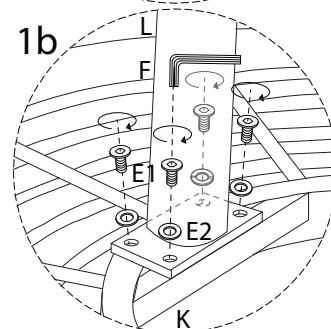
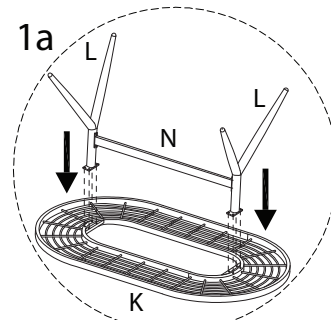
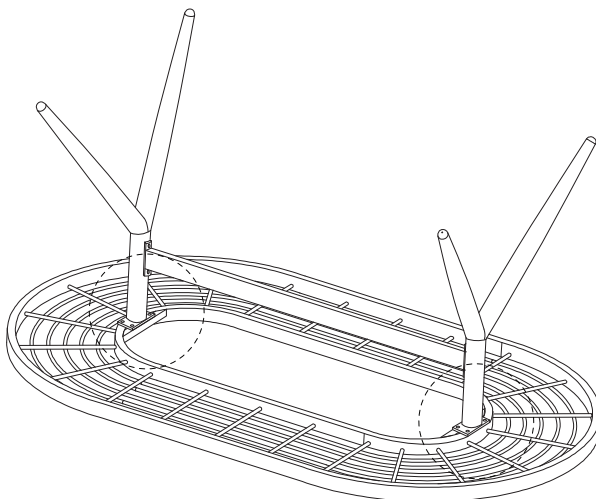
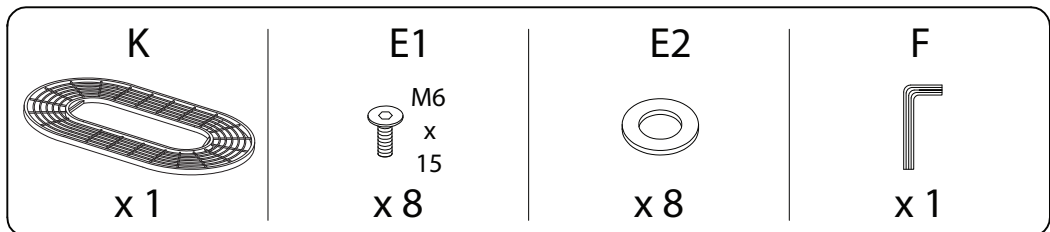
# C



1



2



3

