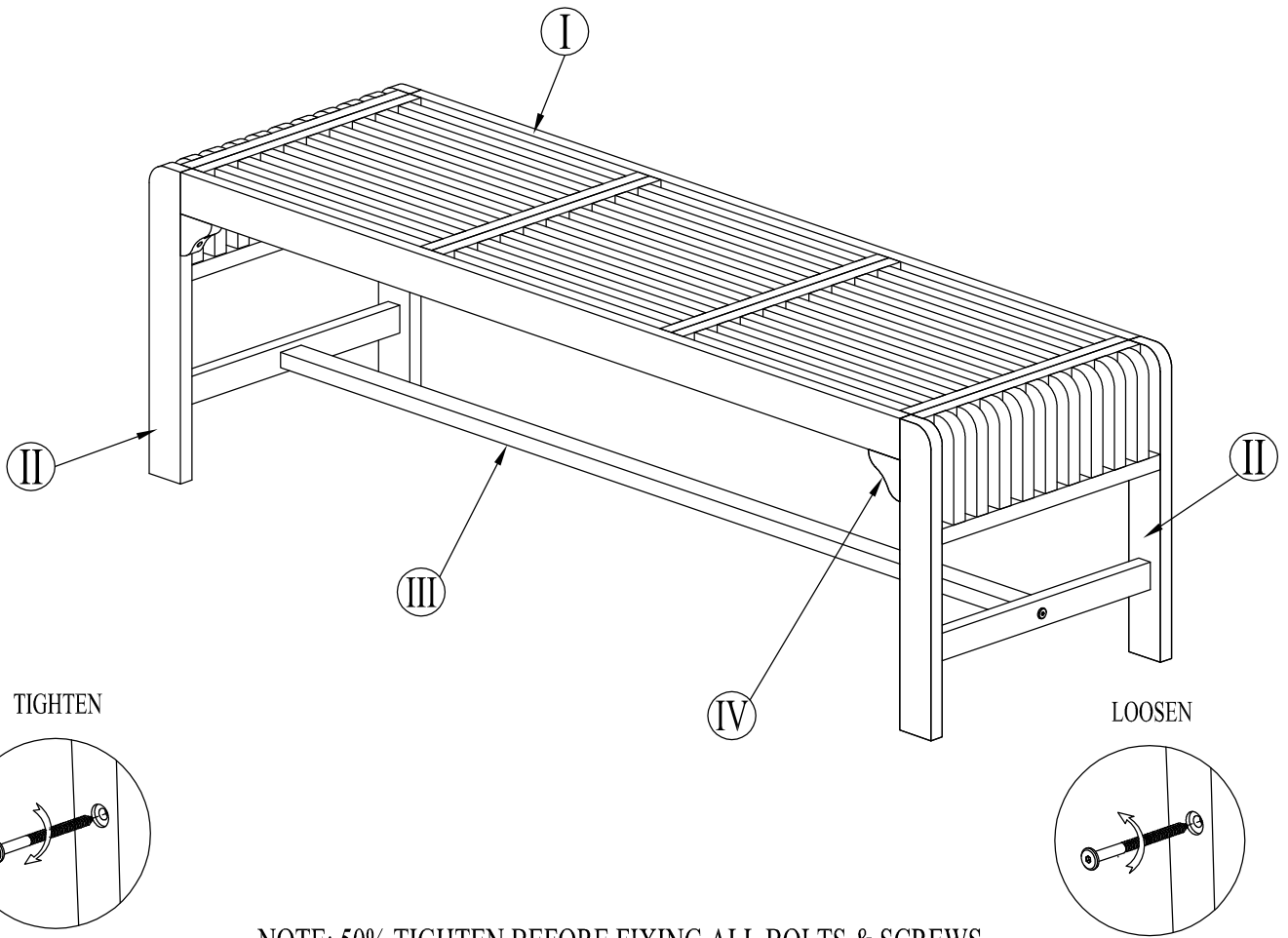


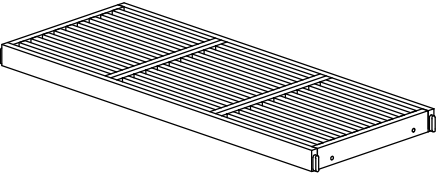
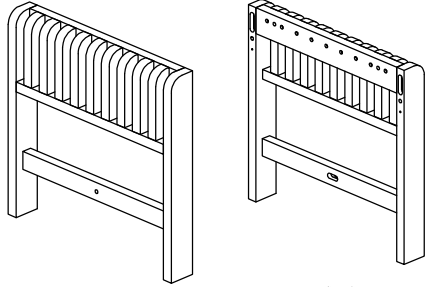
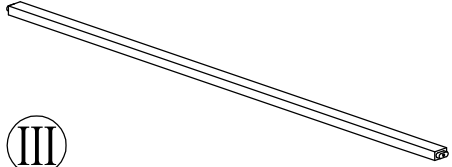
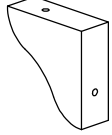
Weight capacity : 220 kgs/485 Lbs



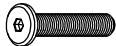

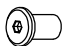


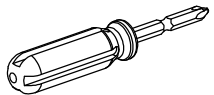


NOTE: 50% TIGHTEN BEFORE FIXING ALL BOLTS & SCREWS

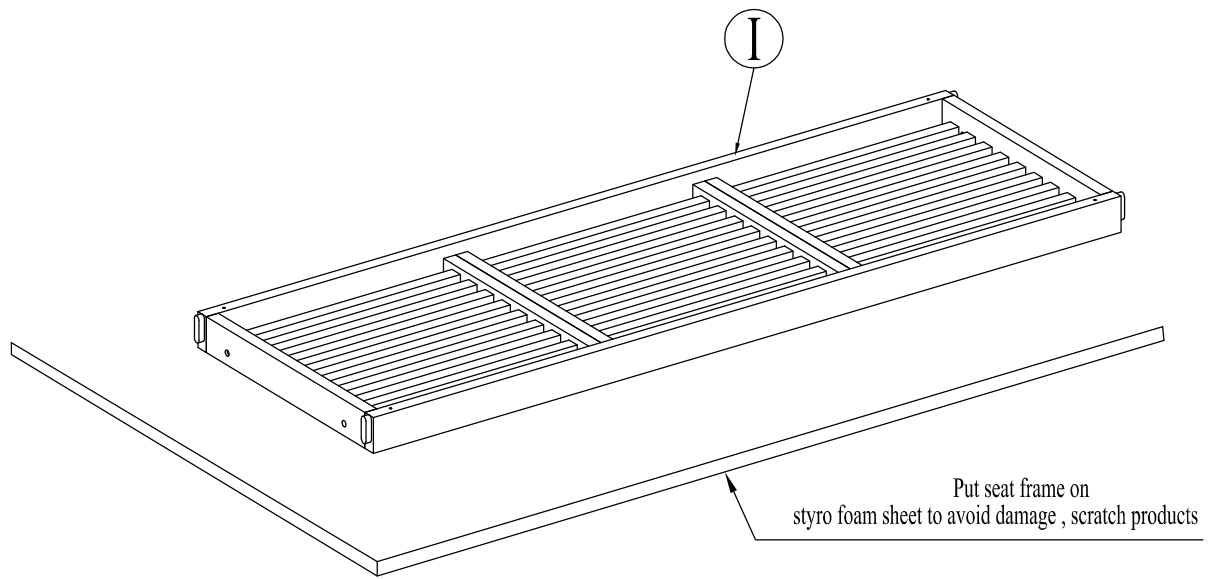
COMPONENTS LIST

<p>①</p>  <p>QTY 1</p>	<p>②</p>  <p>Right view Left view</p> <p>QTY 2</p>	<p>③</p>  <p>QTY 1</p> <p>④</p>  <p>QTY 4</p>
--	---	---

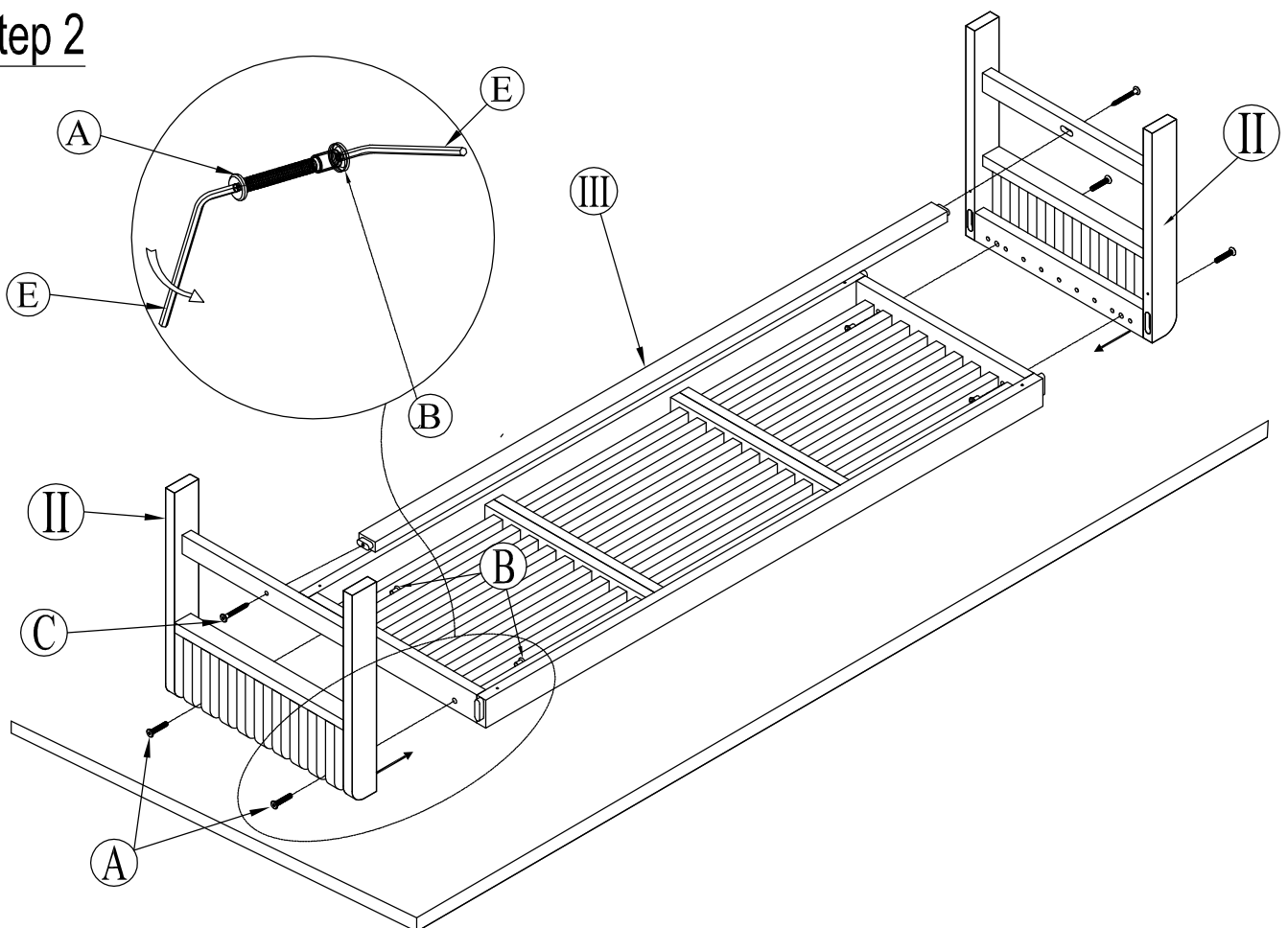
HARDWARE LIST

A		4	F - Bolt 8x35	D		8	Screw 4x35
B		4	Sleeve nut 8 x18	E		2	Allen Key
C		2	Screw 7x60	Supporting tools Screw driver			

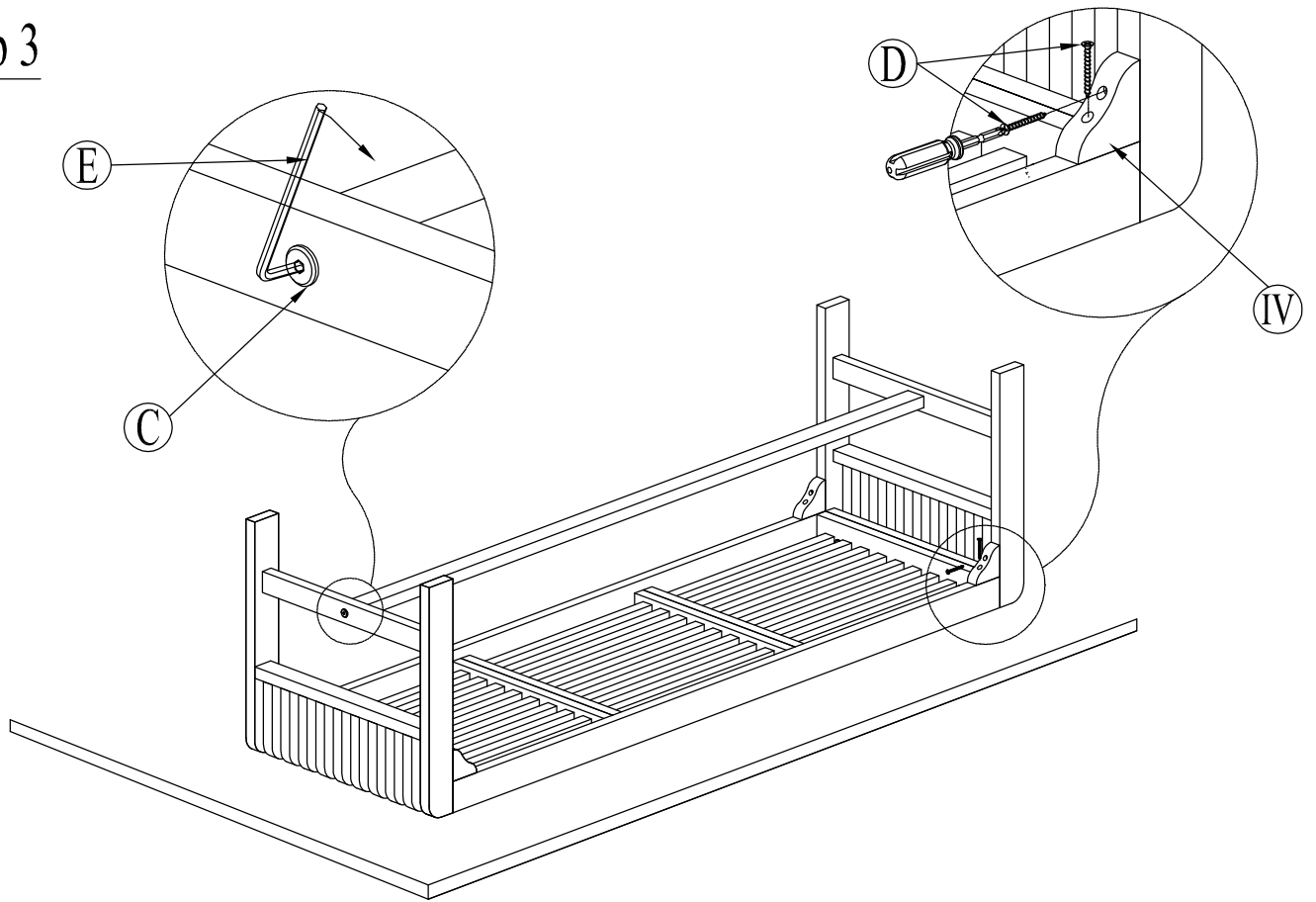
Step 1



Step 2



Step 3



Step 4

