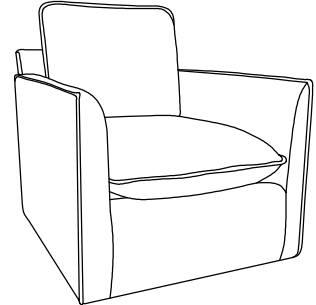


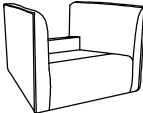
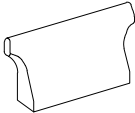

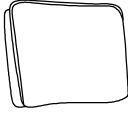

Assembly instructions

Your chair comes packaged in 1 box. Carefully remove all of components from the packaging and set aside for assembly.






Package Contents

Parts list (Carton A)

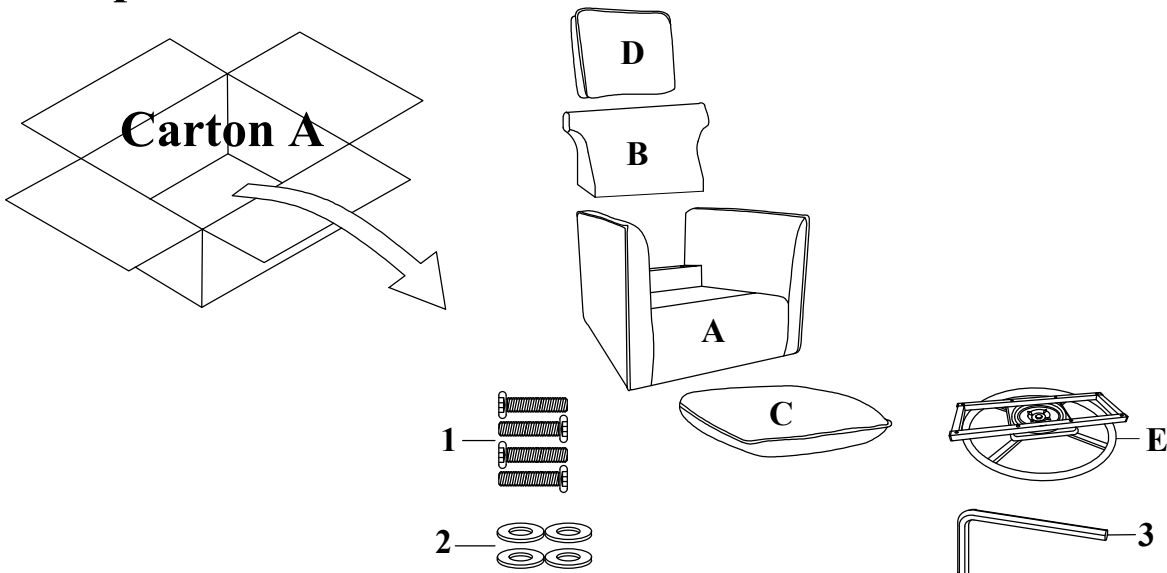
A  Seat Frame	B  Backrest	C  Seat Cushion	D  Back Cushion
E  Vinahardware sofa plate			

Hardware list (Carton A)

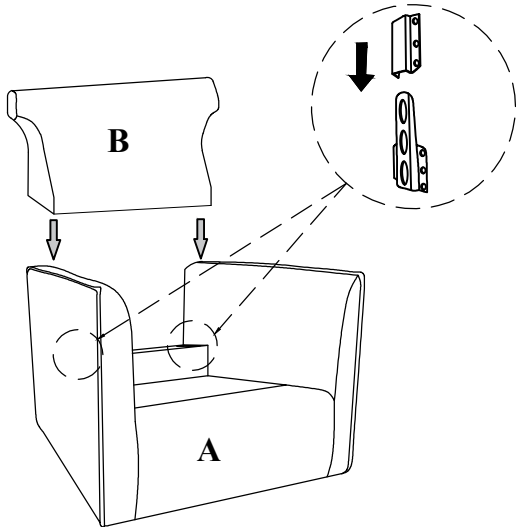
1  Bolt 5/16" x 2.7"	2  Flat Washer	3  Allen Key	
--	---	--	--

Unpackaging

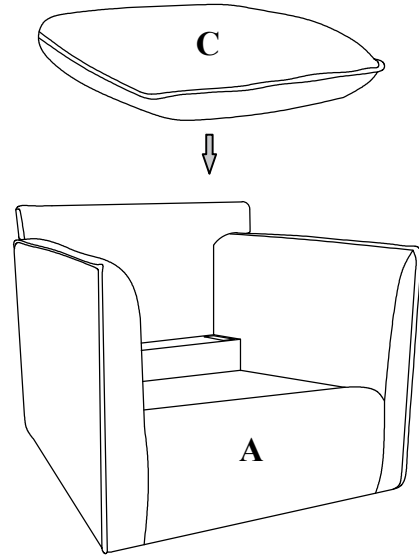
Step 1:



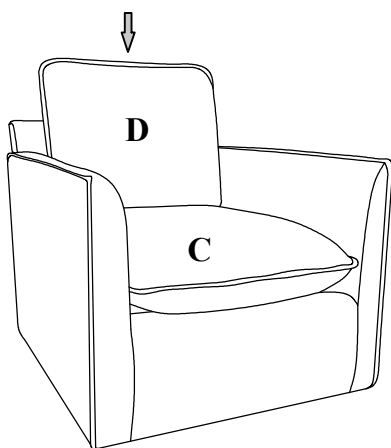
Step 2:






Step 3:

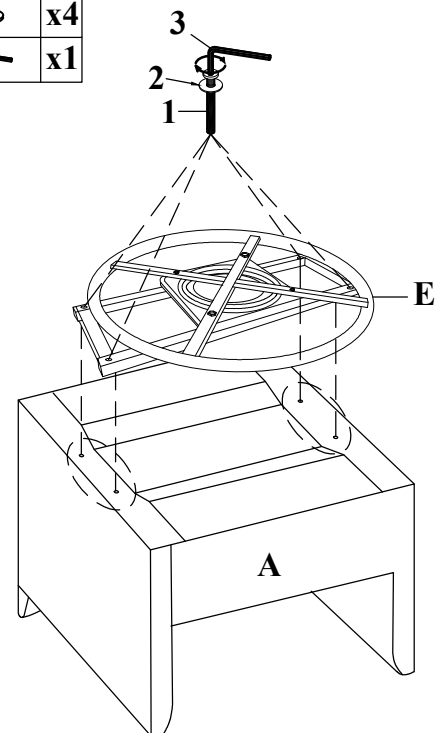


Step 4:

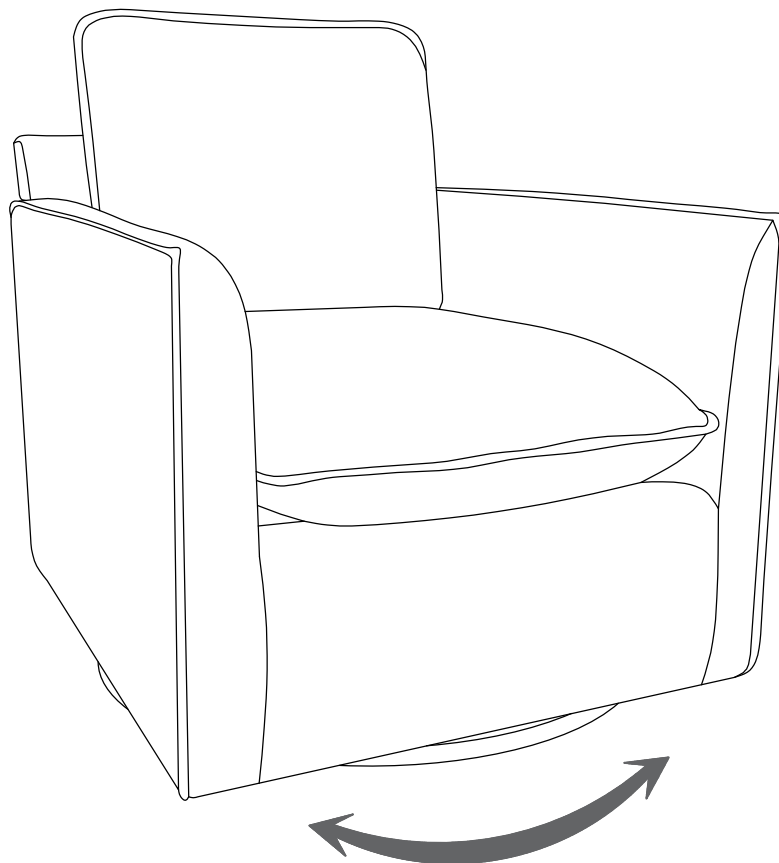


Step 5:

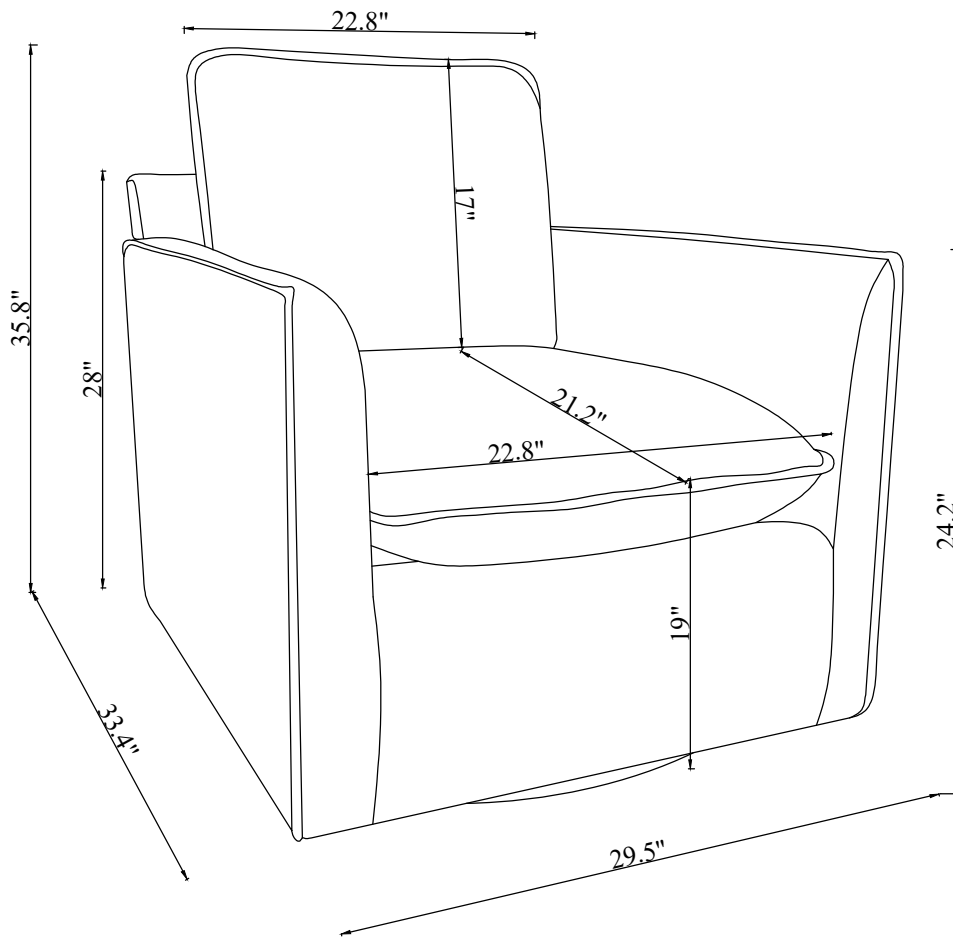
1		x4
2		x4
3		x1



Step 6:



OVERALL DIMENSION:



Warnings

1. Please check if the components of the chair are all included and can be used normally.
2. Assemble all components according to the instruction correctly before you use the chair.
3. Please **DO NOT** sit on the armrests to eliminate the risk of tipping over.
4. If the chair is damaged or doesn't match the website description, please send clear pictures of the product and label of the carton to our service team for further help.

