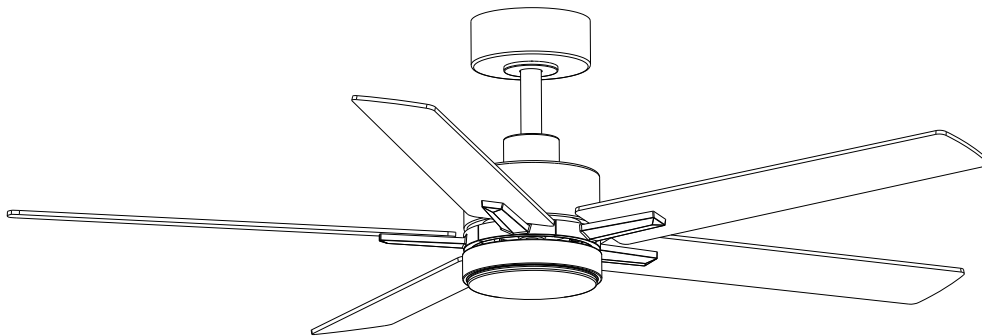




INSTALLATION & USER MANUAL



ITEM #FA05-52

CEILING FAN WITH LIGHT

Customer Service: fanora_service@outlook.com

Table of Contents

Table of Contents.....	2	Exploded View.....	4
Safety Information.....	2	Installation Instructions	5-9
Hardware Included.....	3	Troubleshooting Guide	10
Fan Parts Included.....	3	Balancing Kit	11

Safety Information

READ AND SAVE THESE INSTRUCTIONS.

1. To reduce the risk of electric shock, ensure electricity has been turned off at the circuit breaker or fuse box before you begin.
2. All wiring must be in accordance with the National Electrical Code “ANSI/NFPA 70” and local electrical codes. Electrical installation should be performed by a qualified licensed electrician.
3. The outlet box and support structure must be securely mounted and capable of reliably supporting a minimum of 35 lbs (15.9 kg). Use only UL Listed outlet boxes marked “Acceptable for Fan Support of 35 lbs. (15.9 kg) or less.”
4. Do not place objects in the path of the blades.
5. To clean the fixture, turn off the power, wait for it to cool, and wipe the fixture with a clean dry, soft cloth.
6. After making electrical connections, spliced conductors should be turned upward and pushed carefully up into the outlet box. The wires should be spread apart with the grounded conductor and the equipment-grounding conductor on one side of the outlet box and ungrounded conductor on the other side of the outlet box.
7. All screws must be checked and retightened where necessary before installation.



WARNING: To reduce the risk of electrical shock or fire, not use this fan with any solid-state fan speed control device. It will permanently damage the electronic circuitry.



WARNING: To reduce the risk of fire or injury do not use this product in conjunction with any variable (rheostat) wall control.



WARNING: To reduce the risk of personal injury, do not bend the blade brackets when installing the rackets balancing the blades, or cleaning the fan. Do not insert objects.



WARNING: To avoid possible electrical shock, turn the electricity off at the main fuse box before wiring.



WARNING: To reduce the risk of electrical shock, this must be installed with an isolating wall control / switch.



CAUTION: To reduce the risk of personal injury, use only the screws provided with the outlet box.



CAUTION: Please use carefully when working around or cleaning the fan to avoid injury or damage of fan.

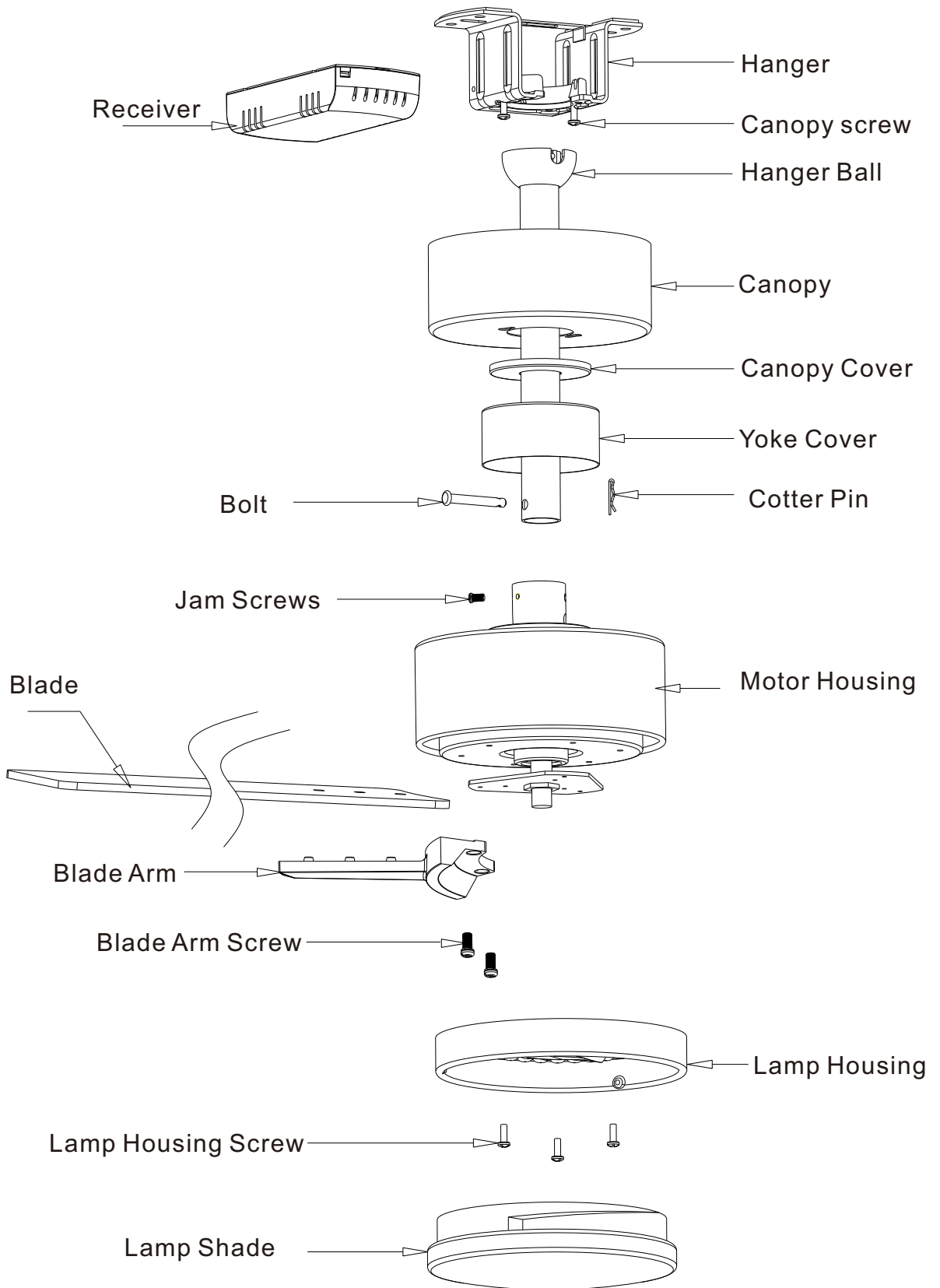


CAUTION: The fan must be mounted with a minimum of 7 ft (2.1 m) clearance from the trailing edge of the blades to the floor.



CAUTION: Changes or modifications not expressly approved by the party responsible for compliance could void the user's authority to operate the equipment.

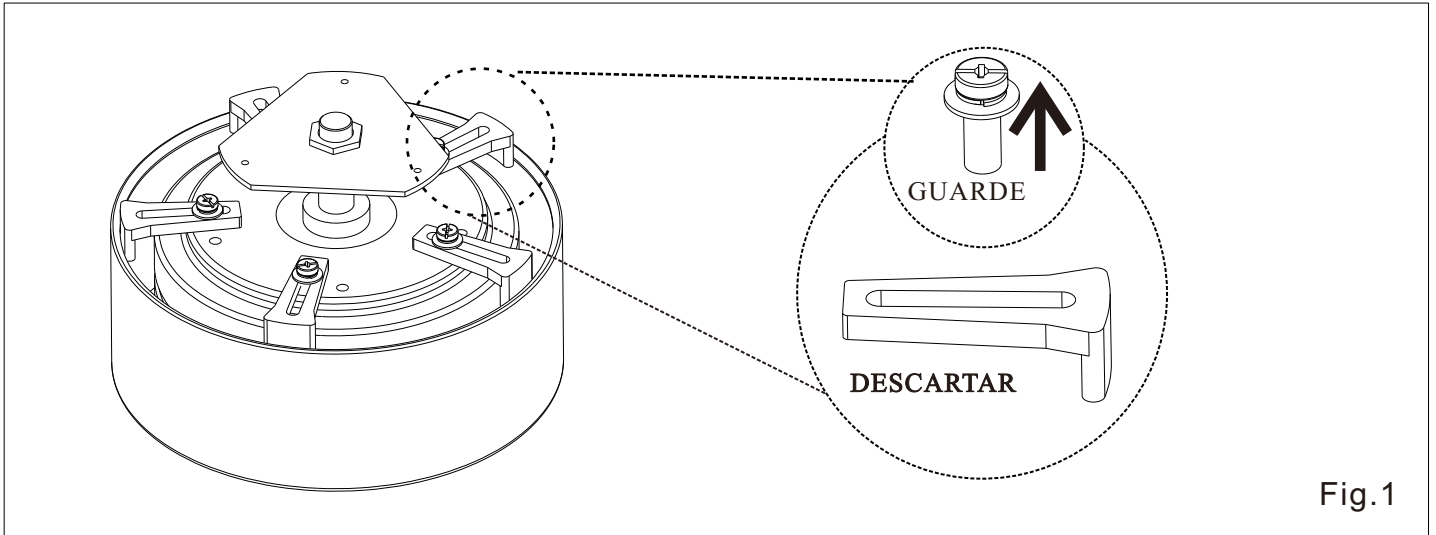
Exploded View



Installation Instructions

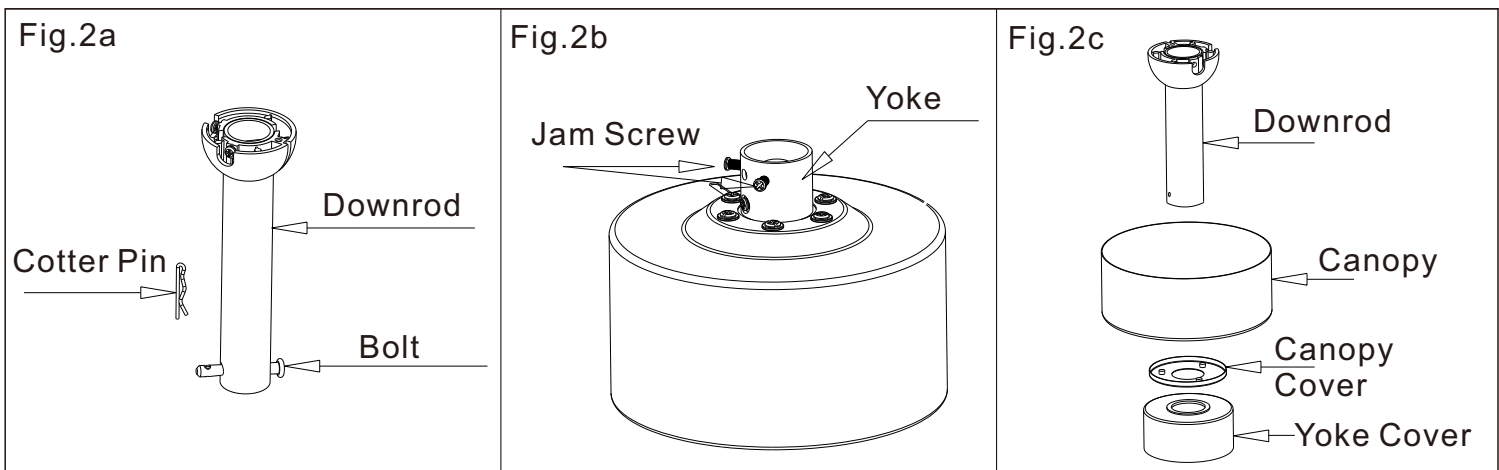
Step1 Remove the shipping blocks

-Remove the shipping blocks from the motor. Save the blade screws. They will be needed for blade Arm installation.



Step2 Mounting

- Take out fan downrod.
- Remove cotter pin and bolt from downrod.
- Take out fan motor housng.
- Loosen jam screw in yoke until it is flush with the inside surface.
- Place the downrod inside the canopy, canopy cover, and yoke cover.
- Route wires exiting motor through yoke cover, canopy and downrod.

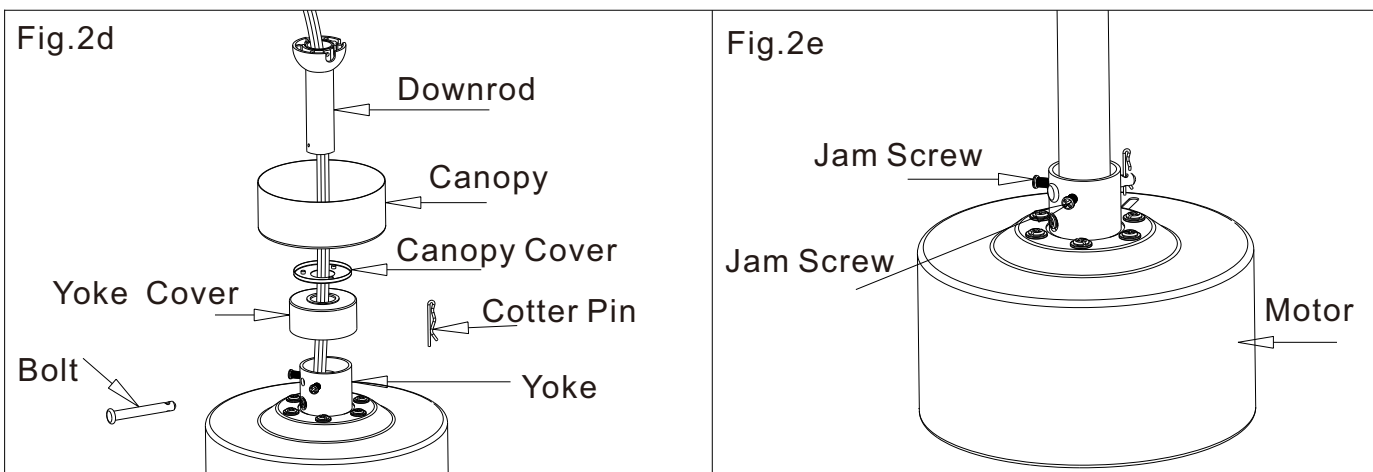


Installation Instructions

Step2 Mouting(Continued)

- Insert bolt through hole in and downrod. Be careful not to damage or cut the fan wires.
- Tighten bolt. Secure with cotter pin through hole in the end of the bolt.
- Secure downrod in position by tightening jam screws.
- Slide yoke cover down and it will flush with the motor housing.

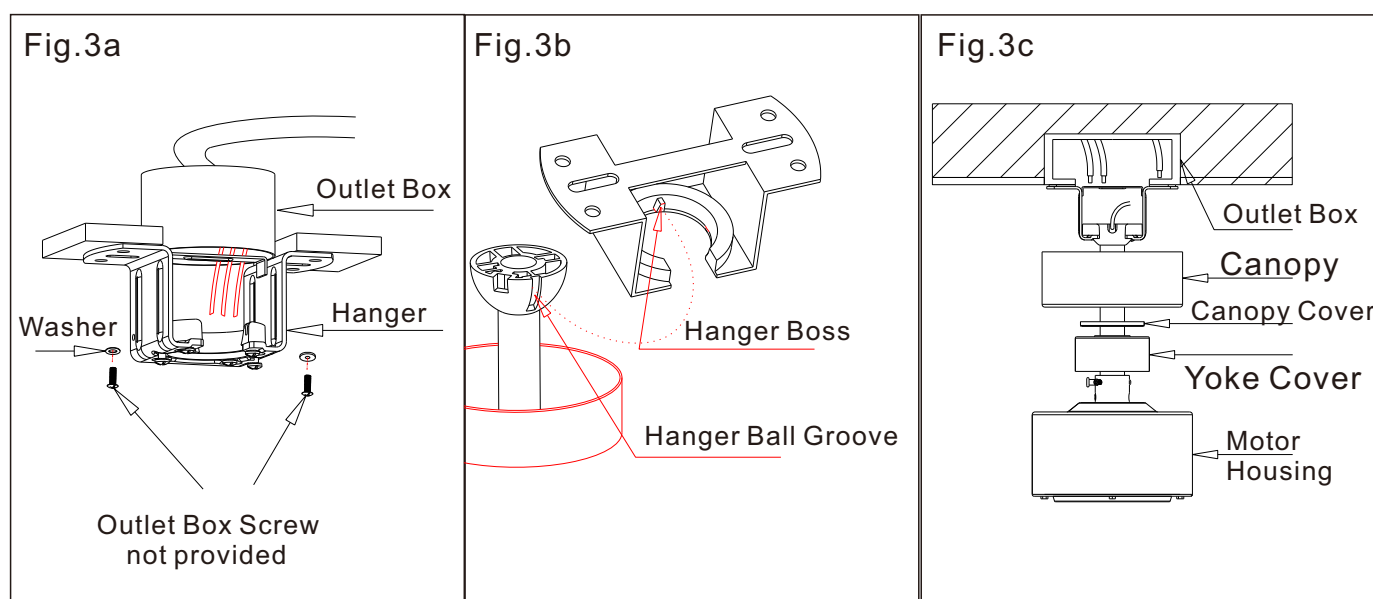
CAUTION: To ensure wobble-free operation and to avoid damage to the fan, the downrod and the set crew must be completely tightened.



Step3 Install hanger

WARNING: To Reduce The Risk Of Fire, Electric Shock, Or Personal Injury, Mount To UL/CSA Listed Outlet Box Marked Acceptable for Fan Support And Use Mounting Screws Provided With The Outlet Box

- Secure hanger to metal outlet box.
- The ceiling fan is hung on the hanger, with the hanger ball groove aligned with the hanger boss.



Installation Instructions

Step4 Attaching the fan blades.

- Fix the blade to the blade arm using screws and washers.(3a)
- Attach the blade assembly to the motor with blade arm screws .(3b)
- Repeat this step for each blade assembly.

Fig.4a

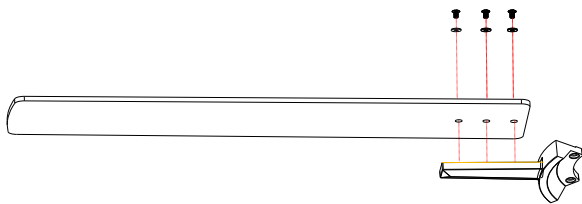
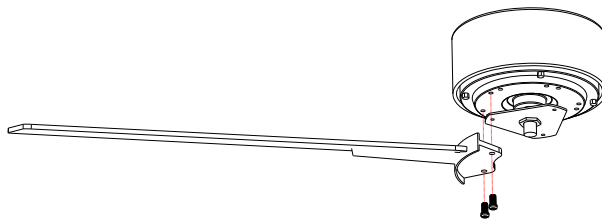


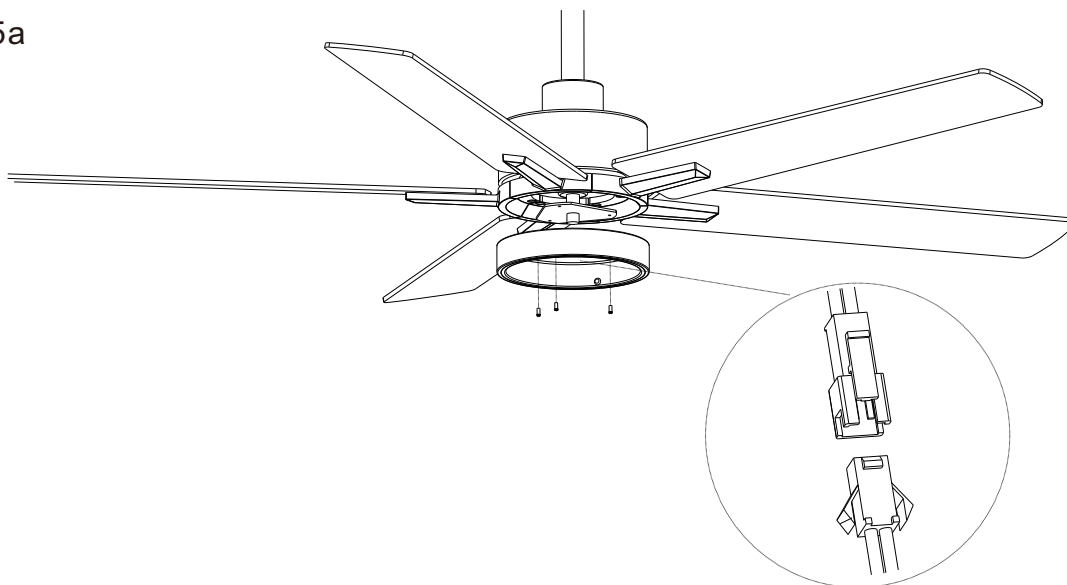
Fig.4b



Step5 Assembling the lamp housing

- Feed the wire through the center hole of the lamp housing.
- Fix the lamp housing with screws.
- Connect the plugs from the motor and LED.

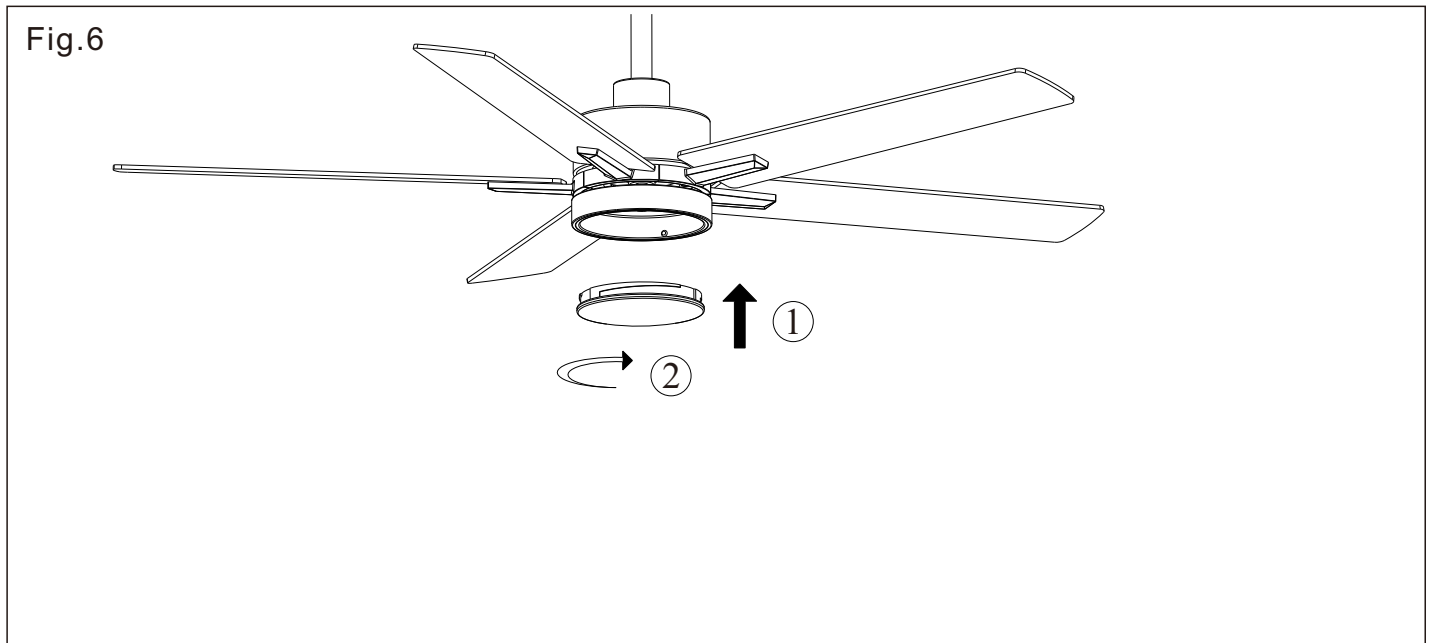
Fig.5a



Installation Instructions

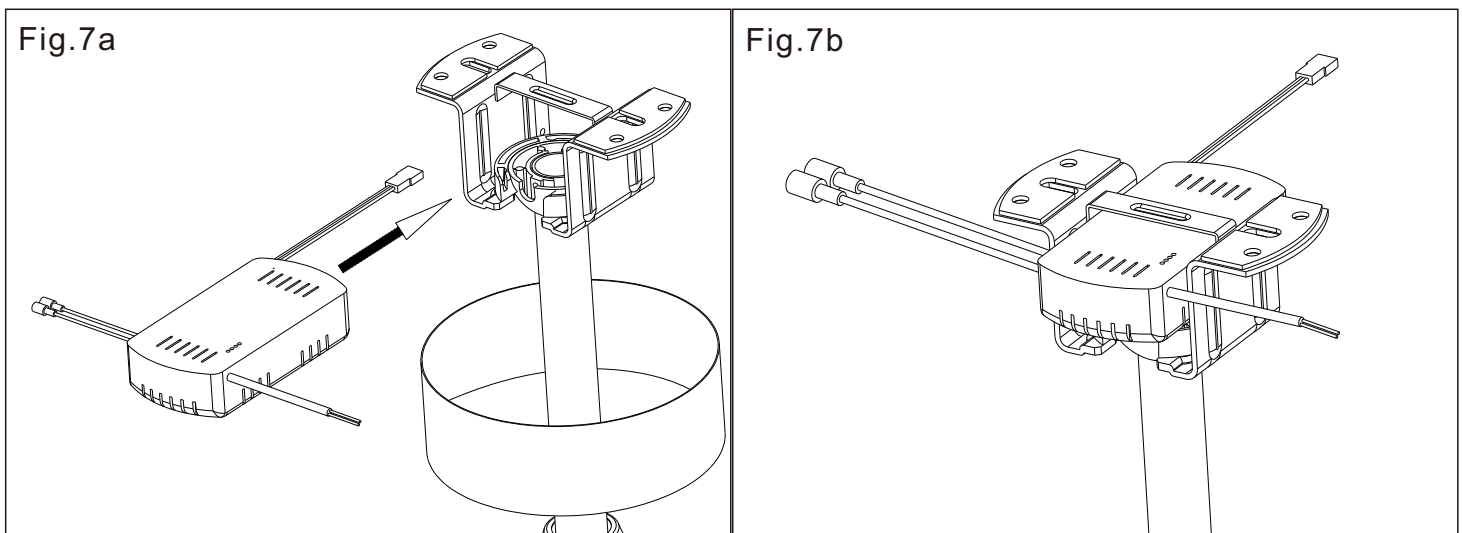
Step6 The lampshade installation

- Install the lampshade to the lamp housing by turning clockwise to lock it into place.



Step7 The receiver installation

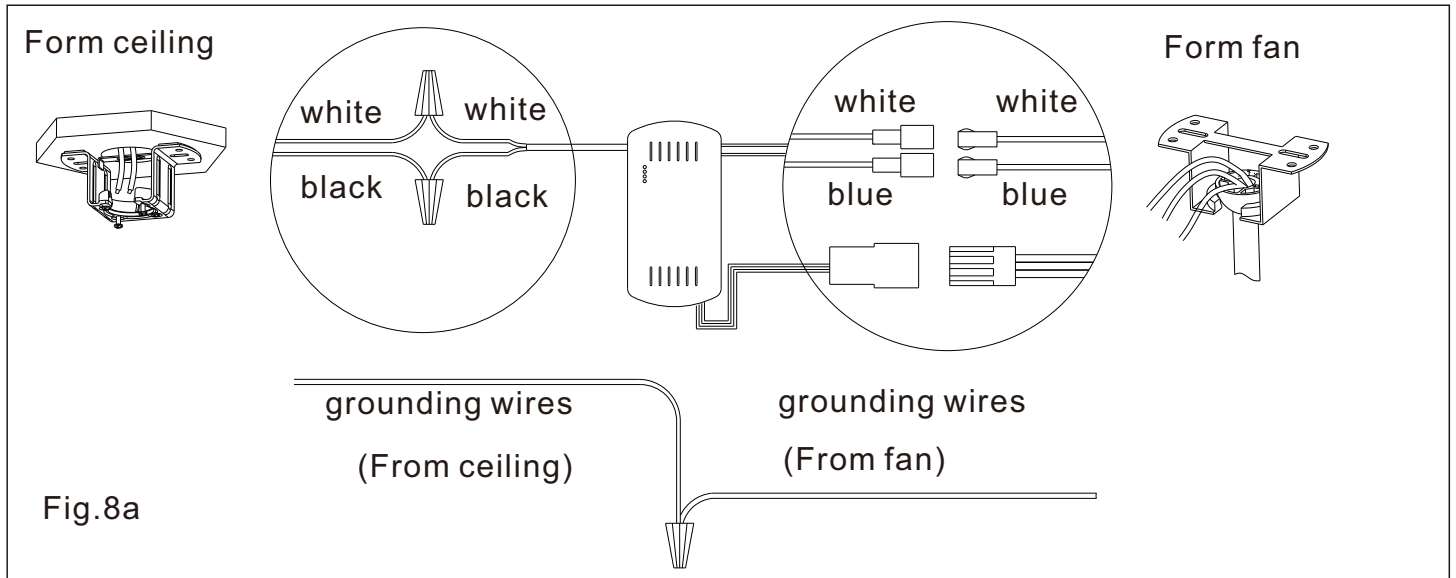
- Put the receiver in the hanger.



Installation Instructions

Step8 Wiring the Fan

- Wiring according to the wiring diagram.

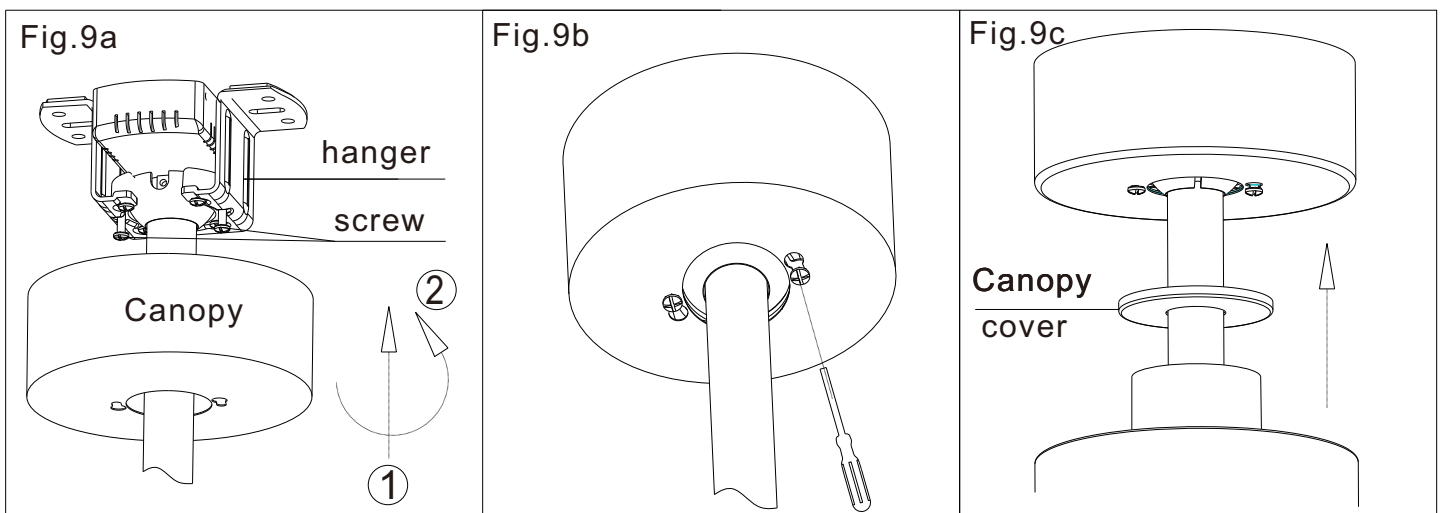


NOTE: Once ground wires are connected, carefully tuck all wires and marrettes into the metal box making sure that the wires are clear of the hemisphere and downrod when positioned in hemisphere and downrod when positioned in mounting bracket.

Installation Instructions

Step9 Attaching the canopy and canopy cover

- Slide the canopy up to the ceiling and attach it to the hanger with the screws provided. Tighten all screws securely.
- Move the Canopy cover onto the canopy.
(the decorative cover comes with magnetism)



Troubleshooting Guide

If you have difficulty operating your new ceiling fan it may be the result of incorrect assembly, installation, or wiring. In some cases these installation errors may be mistaken for defects. If you experience any faults please check this troubleshooting guide.

	Problem	Suggested Remedy
1	If fan does not start.	<ul style="list-style-type: none"> <input type="checkbox"/> Check the main and branch circuit fuses or breakers. <input type="checkbox"/> Check the line wire connections to the fan and switch wire connections in the switch housing. <input type="checkbox"/> Check the battery in the remote control. <input type="checkbox"/> Ensure you are in the normal range of 10-20 feet.
2	If fan sounds noisy.	<ul style="list-style-type: none"> <input type="checkbox"/> Ensure all motor housing screws are snug. <input type="checkbox"/> Ensure the screws that attach the fan blade bracket to the motor hub are tight. <input type="checkbox"/> Ensure the wire nut connections are not rattling against each other or the interior wall of the switch housing. <input type="checkbox"/> Observe the fan for 24 hours after installation. Most noises associated with a new fan disappear during this time. <input type="checkbox"/> Ensure the canopy is a short distance from the ceiling. It should not touch the ceiling.
3	If fan wobbles.	<ul style="list-style-type: none"> <input type="checkbox"/> Check that all blades are screwed firmly into blade holders. <input type="checkbox"/> Check that all blade holders are tightened securely to motor. <input type="checkbox"/> Make sure that canopy and mounting bracket are tightened securely to ceiling junction box and junction box is mounted firmly to ceiling joist. <input type="checkbox"/> If blade wobble is still noticeable interchanging two adjacent (side by side) blades can redistribute the weight and possibly result in smoother operation.
4	If light does not work	<ul style="list-style-type: none"> <input type="checkbox"/> Check blue wire from fan to make sure it is connected to hot wire from the house. <input type="checkbox"/> Check for loose or disconnected wires in fan switch housing. <input type="checkbox"/> Check for loose or disconnected wires in light kit.

Balancing Kit

The Balancing kit should only be used if there is an unacceptable amount of fan wobble after completing all the steps in your Owners Manual under “Attaching The Fan Blades.”

1. Turn the fan on and set the speed control setting to a speed at which the wobbles is the greatest.
2. Turn off the fan and allow it to come to a complete stop. Select one blade and place the balance clip on it, halfway between the blade holder and the blade tip on the trailing edge of blade.
3. Turn the fan on. Note whether the wobble has increased or decreased. Turn the fan off, move the clip to another blade, and retest. Repeat this procedure on all blades noting the blade on which the greatest improvement is achieved.
4. Move the clip back to the blade that showed the greatest improvement. Move the clip inward and outward on this blade and operate the fan to find the position where the clip gives the greatest improvement.
5. Remove the clip and install a balancing weight to the top of blade along the center line near the point where the clip was positioned.
6. If the fan wobble problem has not been corrected you may wish to try to improve the balancing further by using the balancing clip and additional weights.

