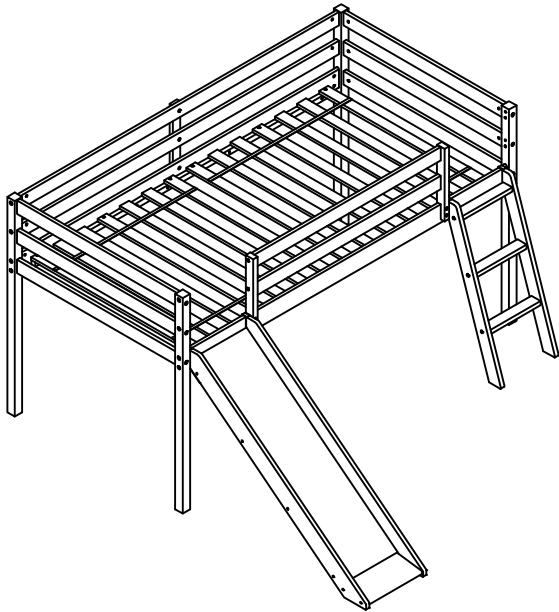
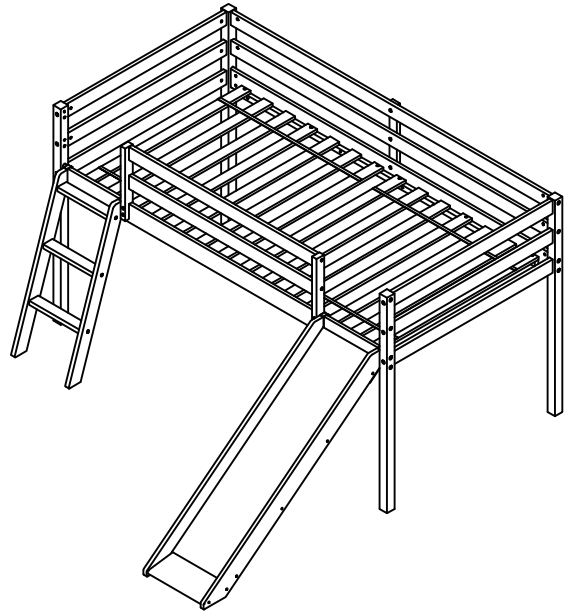


ASSEMBLY INSTRUCTIONS

LOFT BED WITH SLIDE



OR



NFD006



SAFETY WARNING



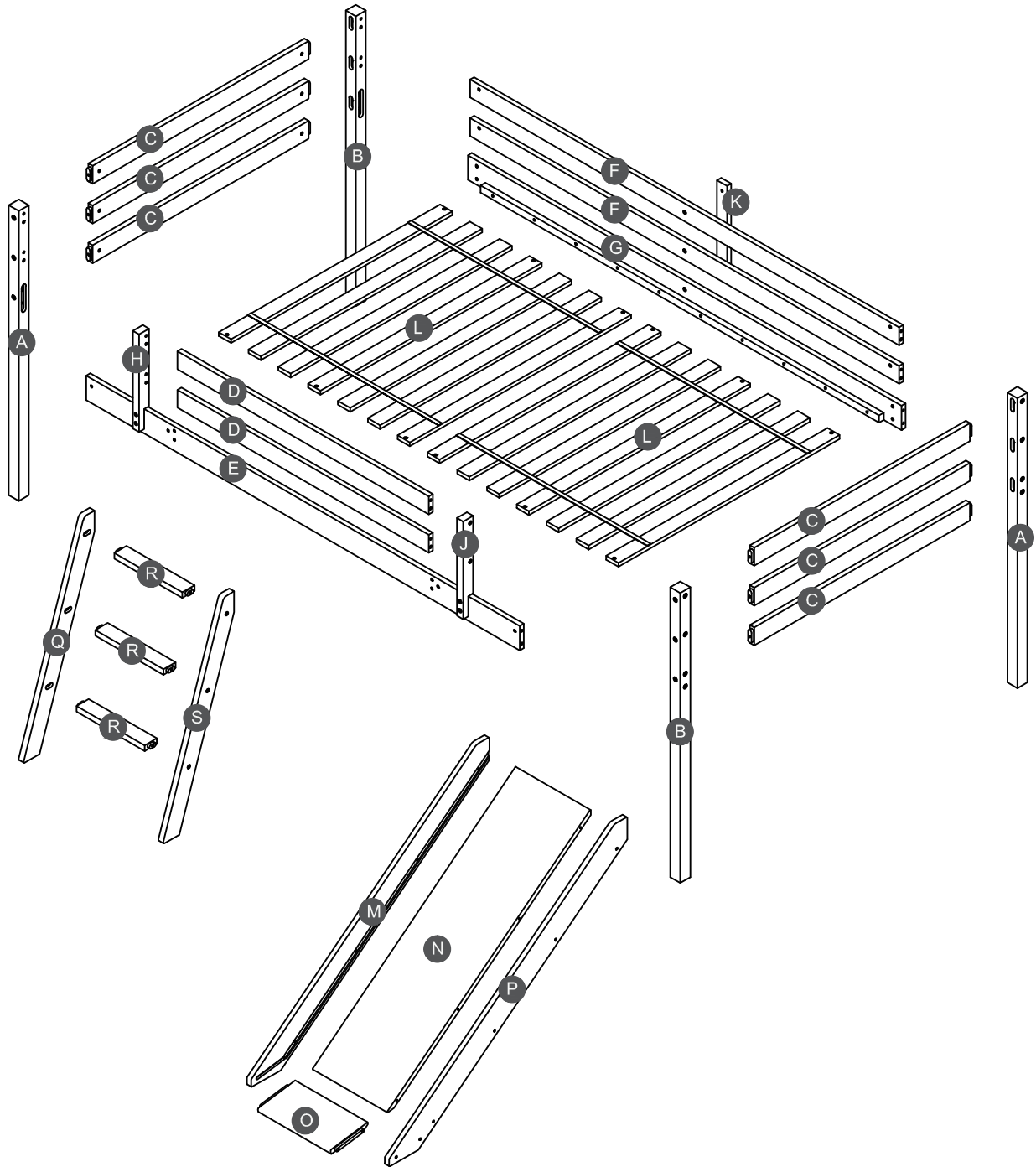
1. This bed is designed for use only mattress (es) meeting the following specifications on the loft bed:

Up bed (Loft bed and tribed included)

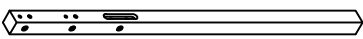
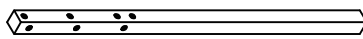
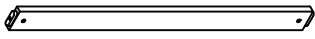
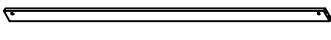
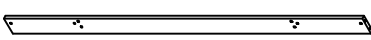


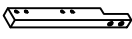


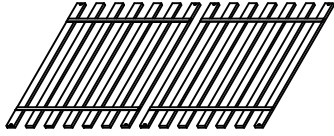

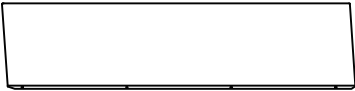
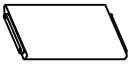
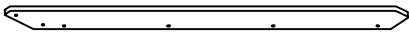
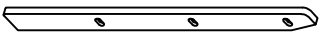
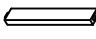
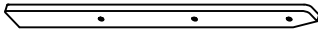
Bed type	Length	With	Thickness
Twin Standard	74"-75"	38 1/2"	6" max

2. Replacement parts, including additional guardrails, maybe obtained from any of our TOLEAD USA LLC. dealers
3. Follow the information on the warnings appearing on the loft bed. end structure and on the carton. Do not remove warning label from bed.
4. Always use the recommended size mattresses or mattress supports, or both, to help prevent the likelihood of entrapment or falls.
5. Surface of mattress must be at least 5" (127mm) below the upper edge of guardrails.
6. Do not allow children under 6 years of age to use the loft bed.
7. Periodically check and ensure that the guardrail, ladder, and other components are in their proper position, free from damage, and that all connectors are tight.
8. Do not allow horseplay on or under the bed and prohibit jumping on the bed.
9. Always use the ladder for entering and leaving the loft bed.
10. Do not use substitute part. Contact the manufacture or dealer for replacement part.
11. Use of a night light may provide added safety precaution for a child using the loft bed.
12. Always use guardrails on both long sides of the loft bed. If the loft bed will be placed next to the wall, the guardrail that runs the full length of the bed should be placed against the wall to prevent entrapment between the bed and wall.
13. The use of water or sleep flotation mattresses is prohibited.
14. STRANGULATION HAZARD - Never attach or hang items to any part of the loft bed that are not designed for use with the bed; for example, but not limited to, hook, belts and jump ropes.
15. Keep these instruction for future reference.

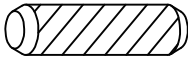

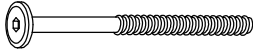
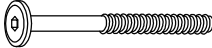
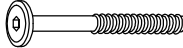





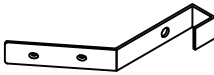
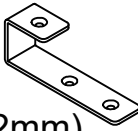

Detail View



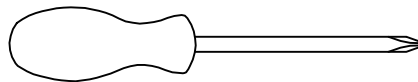
Part List

<p>A</p>  <p>Leg (Left front/Right back) - 2pcs</p>	<p>B</p>  <p>Leg (Left back/Right front) - 2pcs</p>	<p>C</p>  <p>Horizontal HB/FB - 6pcs</p>
<p>D</p>  <p>Short guard rail (Front) - 2pcs</p>	<p>E</p>  <p>Side rail (Front)-1pc</p>	<p>F</p>  <p>Long guard rail (Back) - 2pcs</p>
<p>G</p>  <p>Side rail (Back)-1pc</p>	<p>H</p>  <p>Left support guard rail - 1pc</p>	<p>J</p>  <p>Right support guard rail - 1pc</p>
<p>K</p>  <p>Vertical guard rail - 1pc</p>	<p>L</p>  <p>Slats - (14pcs)</p>	<p>M</p>  <p>Left side slide -1pc</p>
<p>N</p>  <p>Slide panel -1pc</p>	<p>O</p>  <p>Slide base support -1pc</p>	<p>P</p>  <p>Right side slide -1pc</p>
<p>Q</p>  <p>Left side ladder - 1pc</p>	<p>R</p>  <p>Step ladder - 3pcs</p>	<p>S</p>  <p>Right side ladder - 1pc</p>

Hardware List

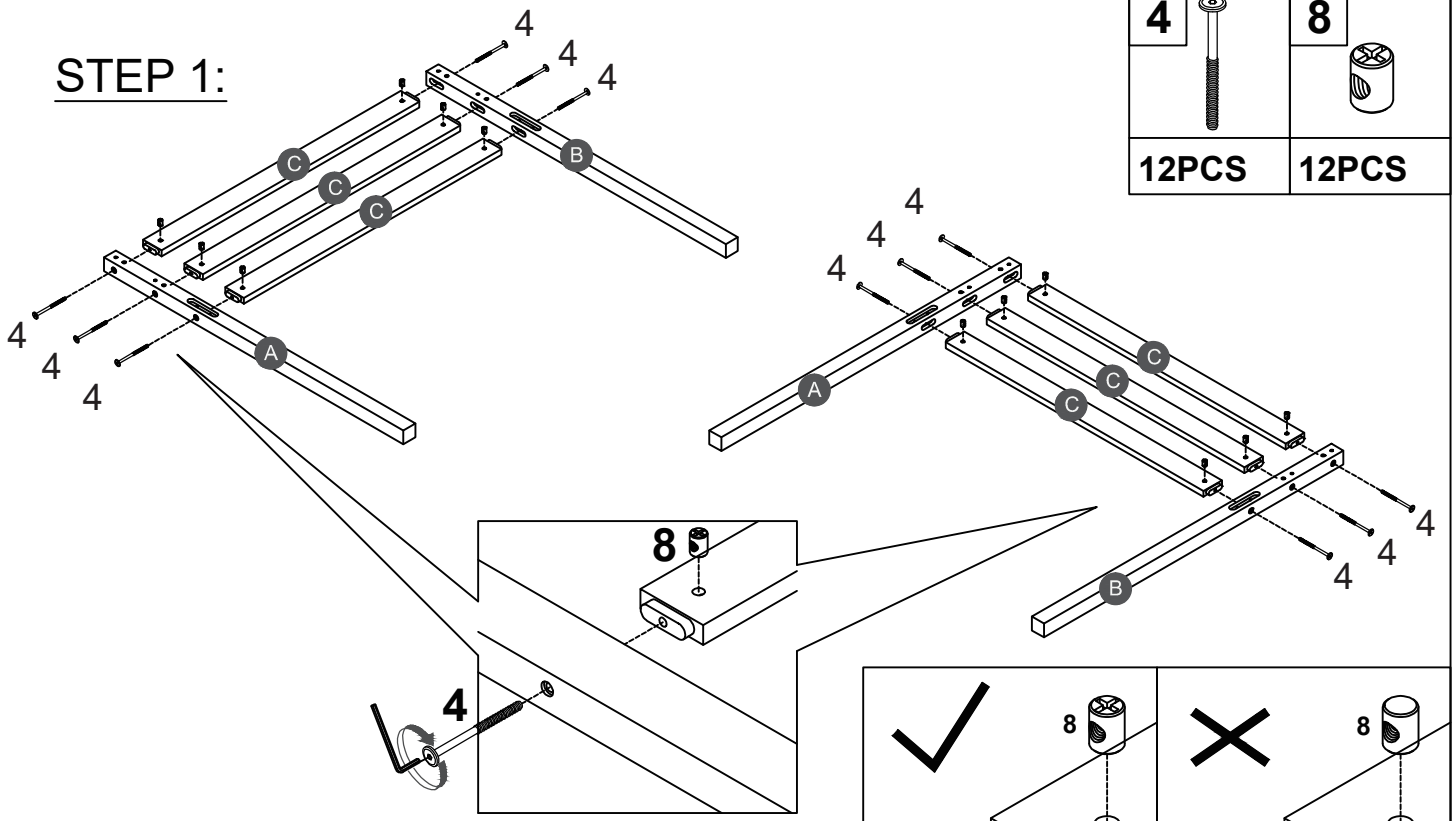
1  Ø10*40mm Wood dowel (8pcs)	2  (Ø12)1/4"*50mm Hex-Head bolts (12pcs)	3  (Ø15)1/4"*100mm Hex-Head bolts (12pcs)
4  (Ø15)1/4"*80mm Hex-Head bolts (16pcs)	5  (Ø12)1/4"*60mm Hex-Head bolts (6pcs)	6  (Ø12)1/4"*35mm Hex-Head bolts (6pcs)
7  (Ø12)1/4"*30mm Hex-Head bolts (3pcs)	8  1/4"*15 (9.5mm) Horizontal-Hole bolts(34pcs)	9  (1/4")4.5*58mm Allen key (1pc)
10  Ø4*30mm Wood screws (16pcs)	11  142*18*2mm Hooks (2pcs)	12  80*28*20*(2mm) Hooks (2pcs)
13  Ø4*19mm Wood screws (6pcs)		

ASSEMBLY TOOLS REQUIRED (NOT INCLUDED)

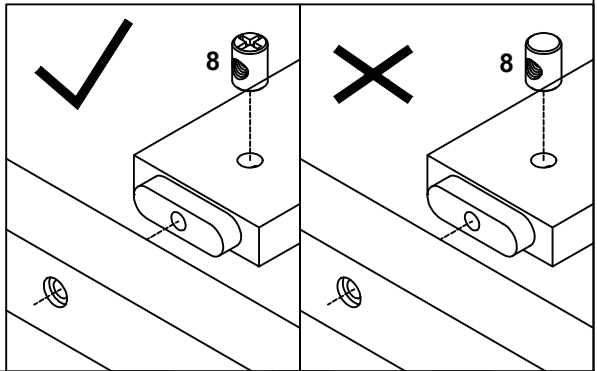


PLEASE BE CAREFUL DO NOT DAMAGE THE HOLE POSITION WHEN YOU USE POWER TOOLS !

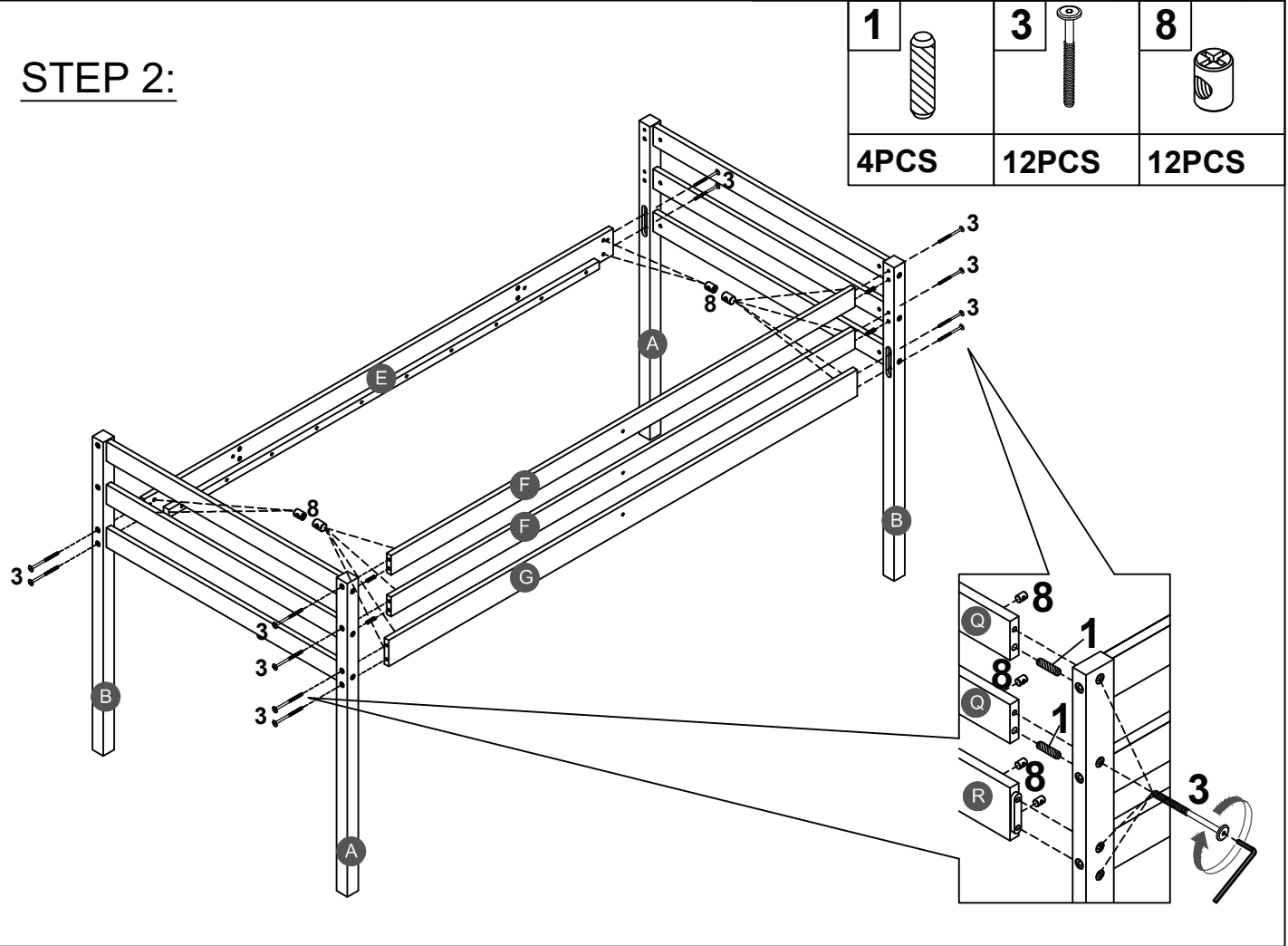
STEP 1:






Note: Part 8 will face up with the "x" mark on it, otherwise it cannot be tightened

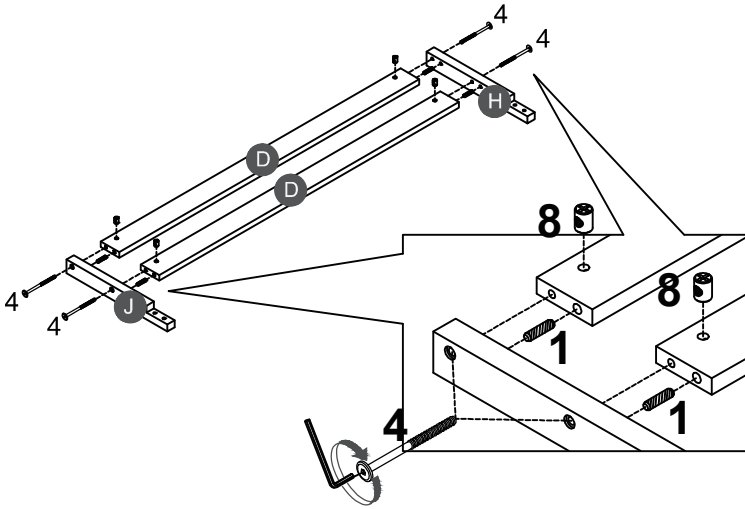


STEP 2:

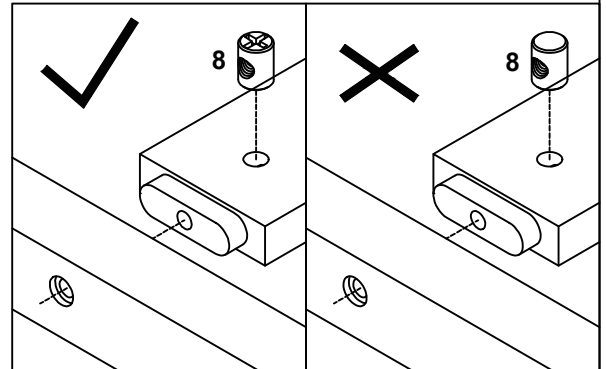


STEP 3:



1		4		8	
4PCS		4PCS		4PCS	

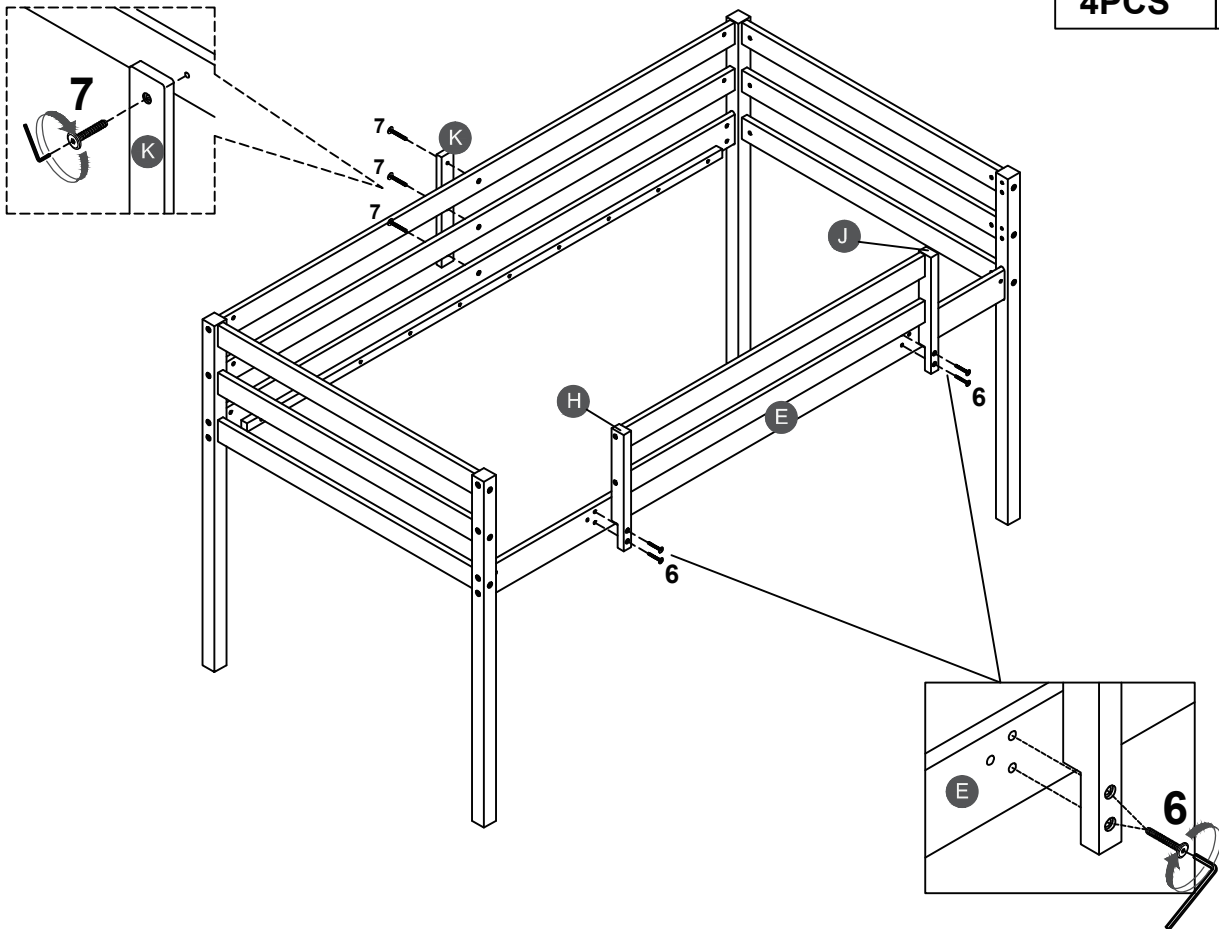


Note: Part 8 will face up with the "x" mark on it, otherwise it cannot be tightened



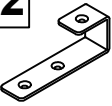



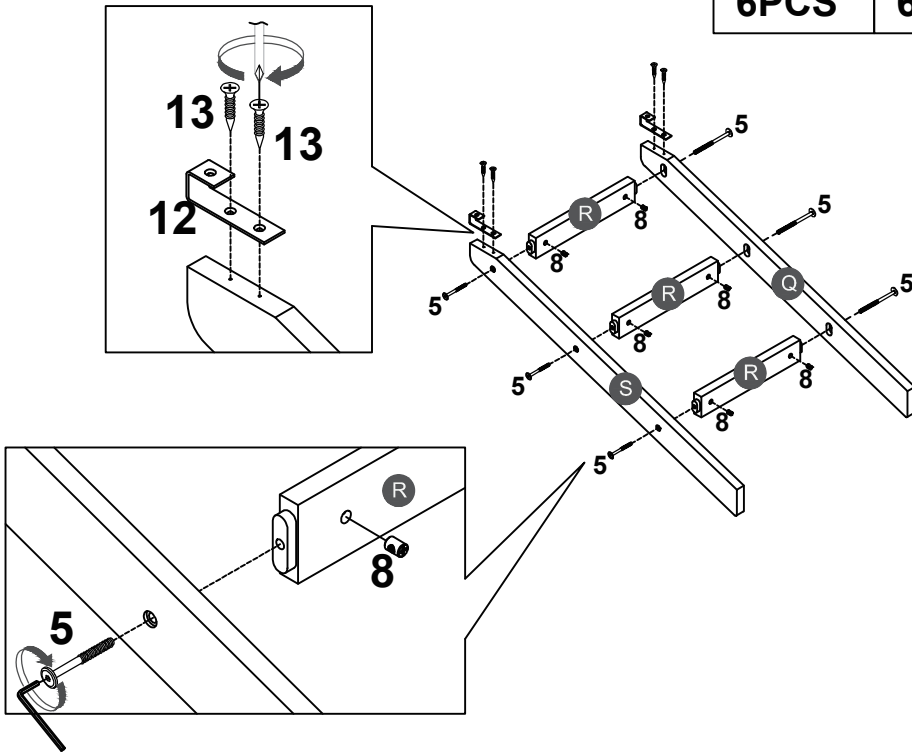
STEP 4:

6		7	
4PCS		3PCS	




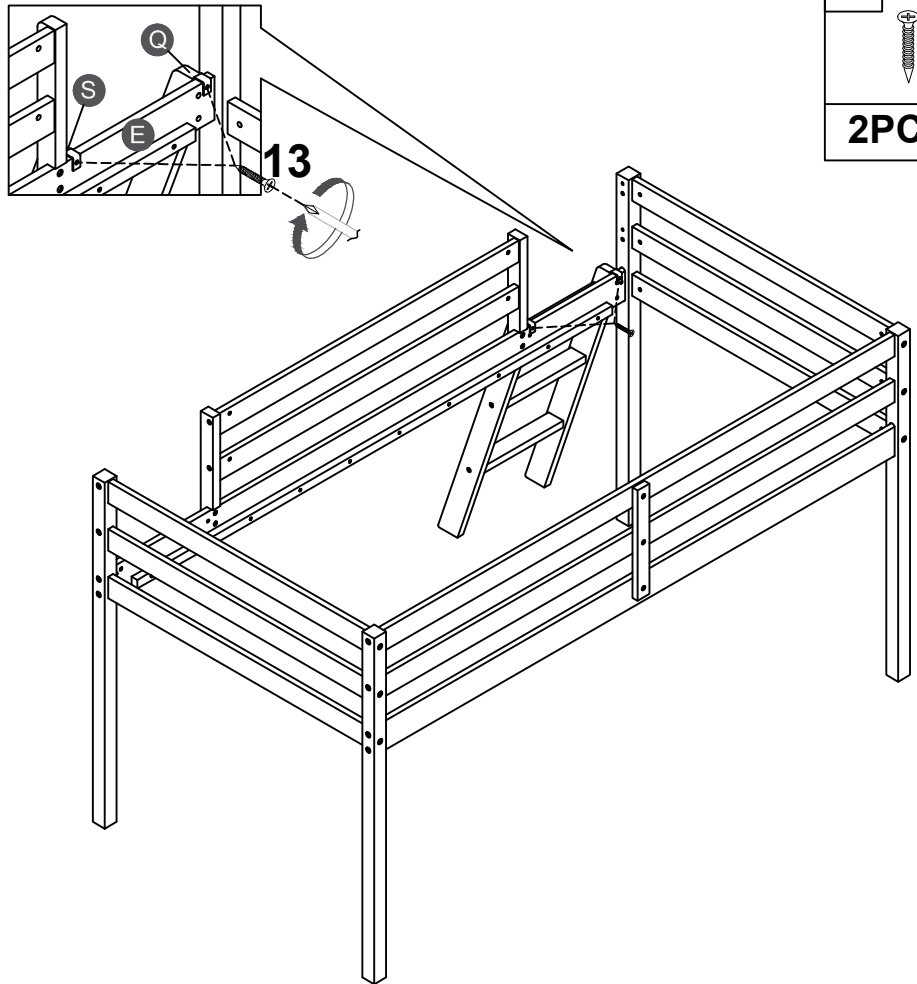
STEP 5:

8 	5 	12 
6PCS	6PCS	2PCS
13 		
4PCS		

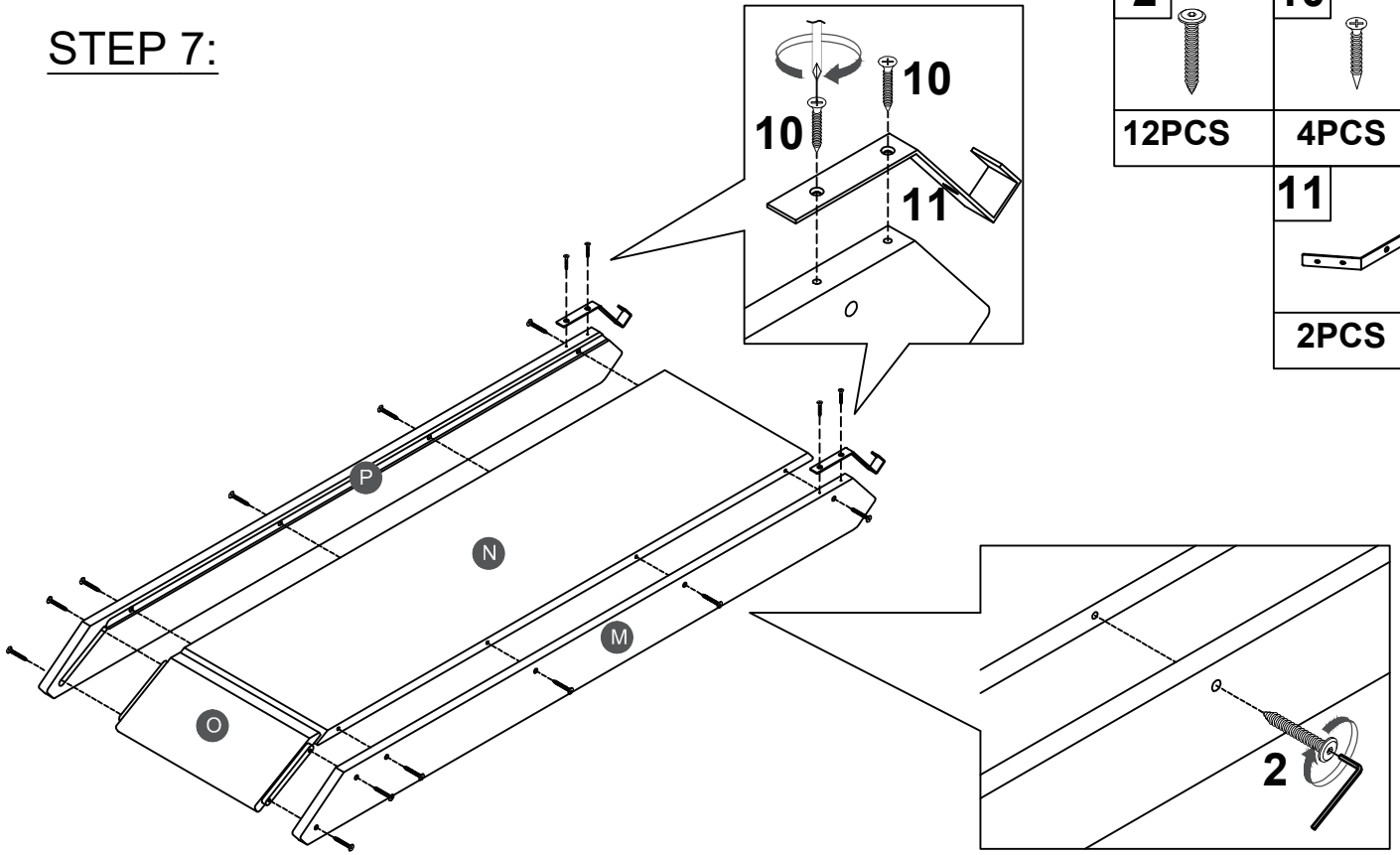


STEP 6:

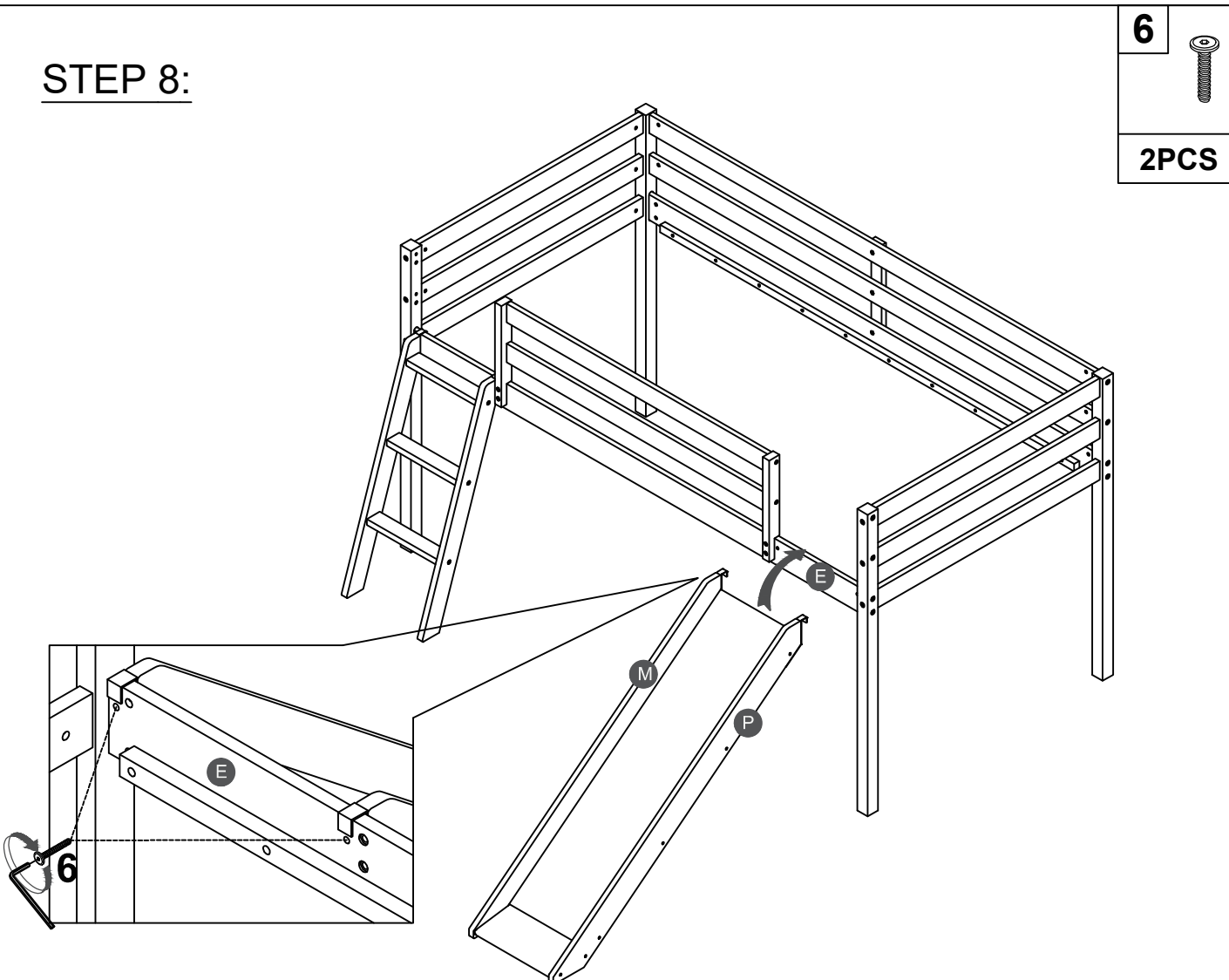
13 
2PCS



STEP 7:



STEP 8:

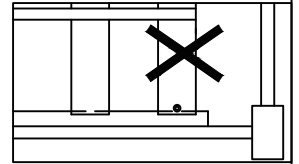
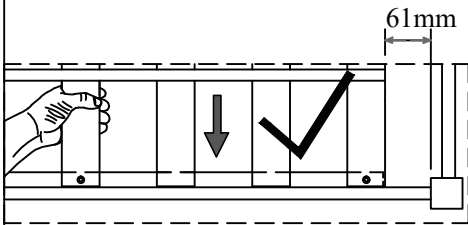
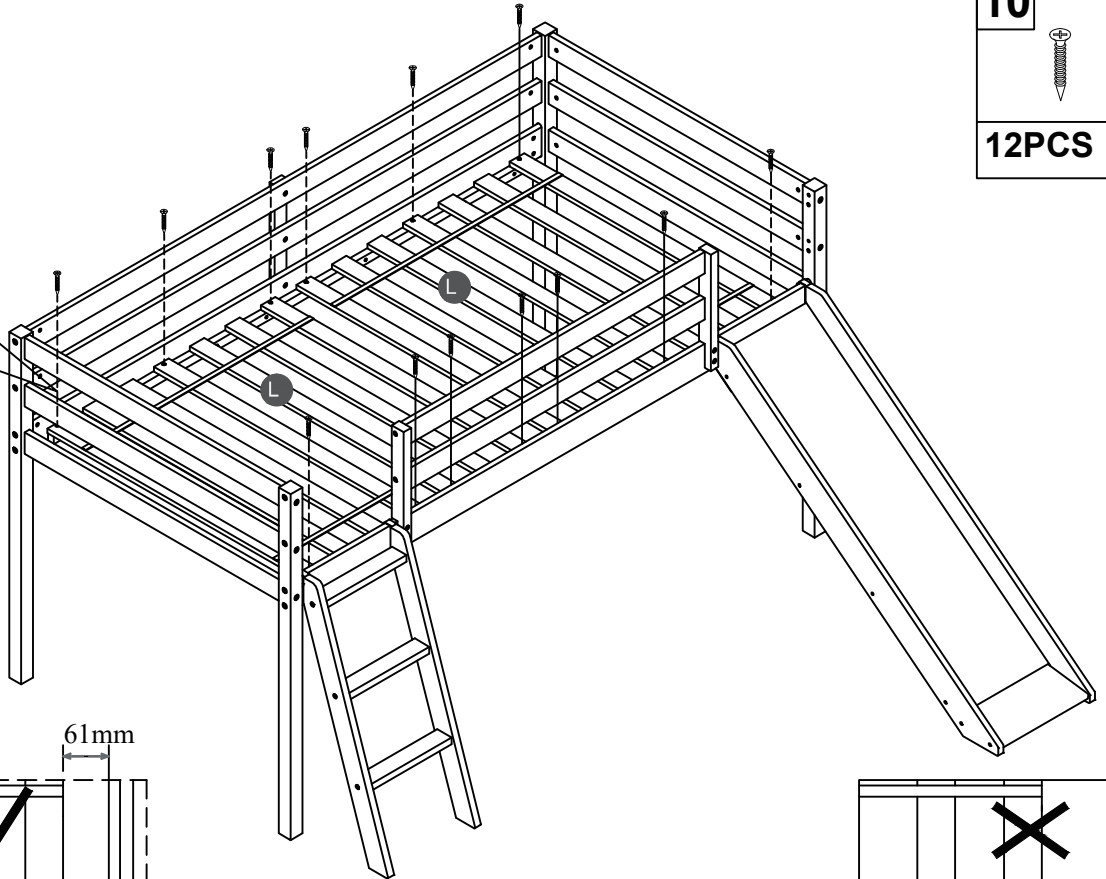
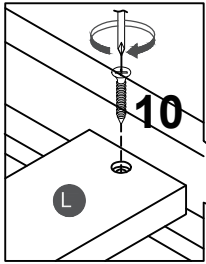


STEP 9:

10



12PCS



Note: Do not lock the screws of the bed slats to the outermost edge of the bed slats, you need to leave a certain space at the edges, otherwise it will cause the board to break. Do not lock the bed slats on the edge of the wood, please hold firmly before screwing, hold it in place with one hand, then lock the screw.



OR

