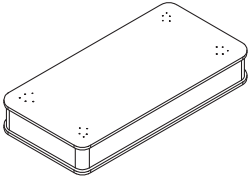


USER'S MANUAL

Vanity Set

THIS INSTRUCTION BOOKLET CONTAINS **IMPORTANT** SAFETY INFORMATION. PLEASE READ AND KEEP FOR FUTURE REFERENCE.

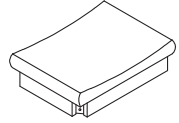
① x1



② x4



③ x1



④ x2



⑤ x2



A x8



Φ6x50mm

B x8



C x4



D x20



Φ4x14mm

E x1



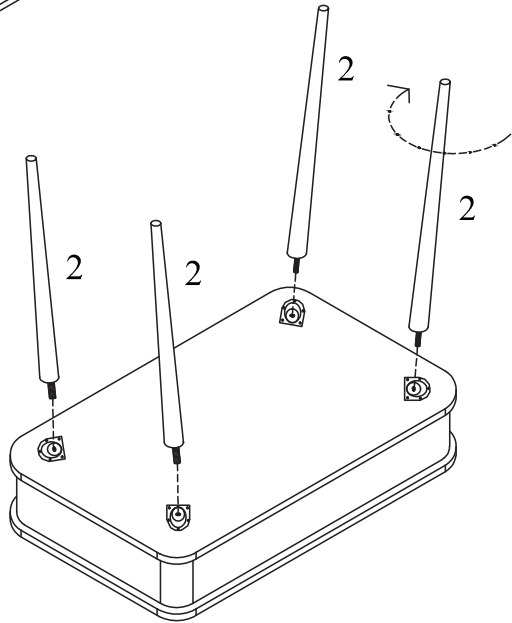
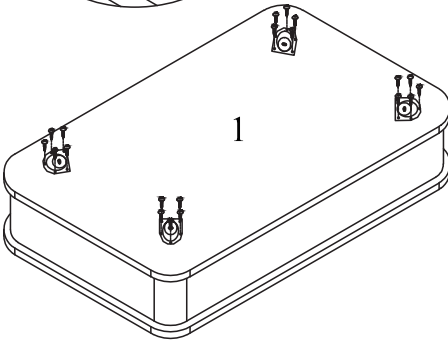
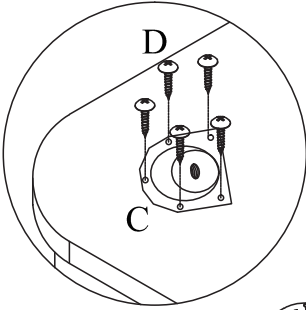
F x1



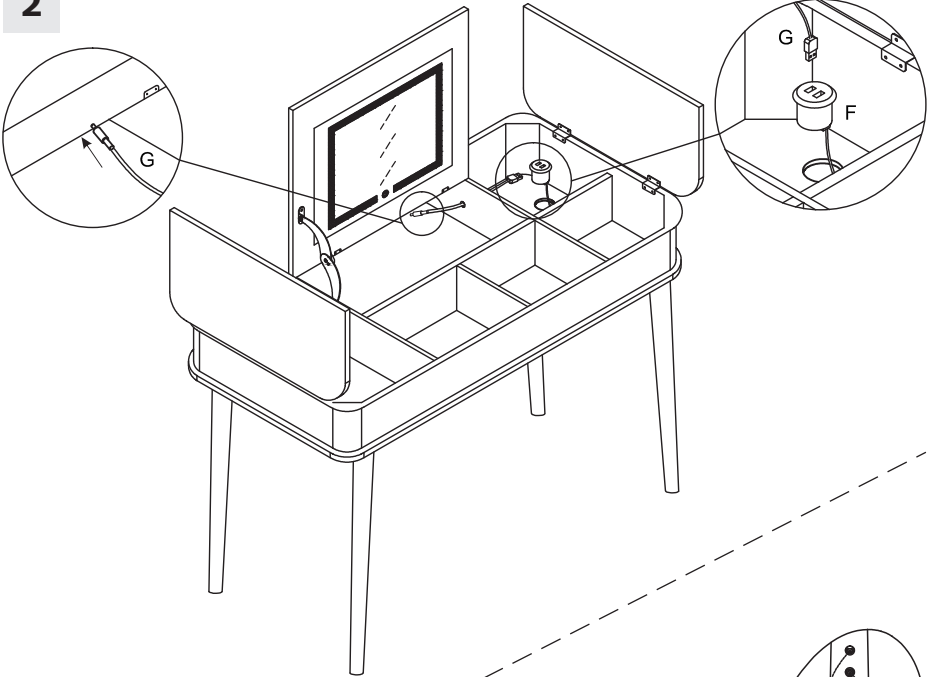
G x1



1



2



3

