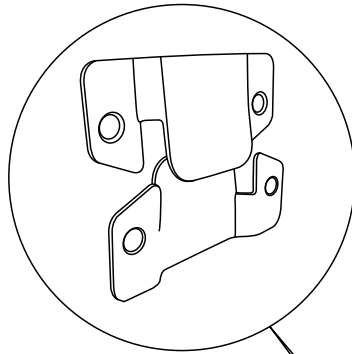


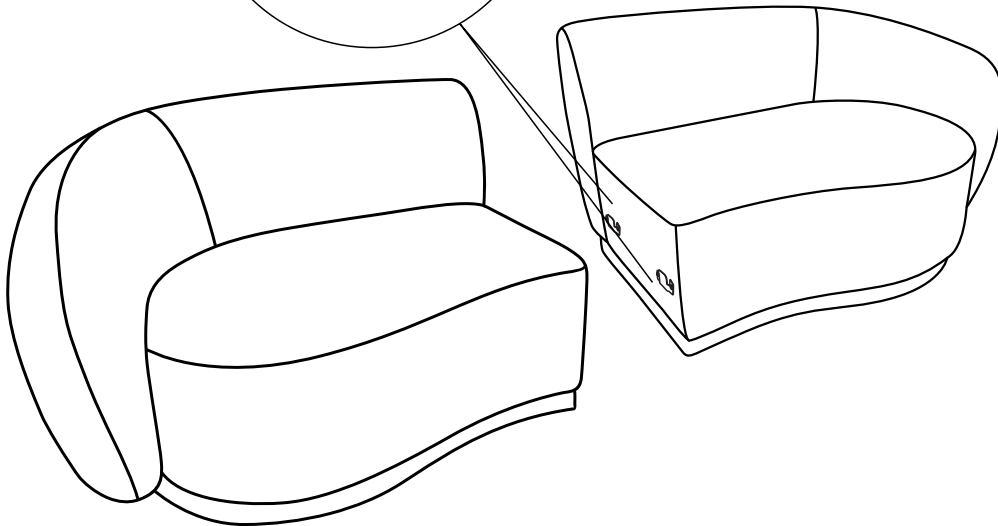
# INSTALLATION INSTRUCTION

---

①



The left and right positions are connected to each other with iron inserts, as shown in the figure:



②

