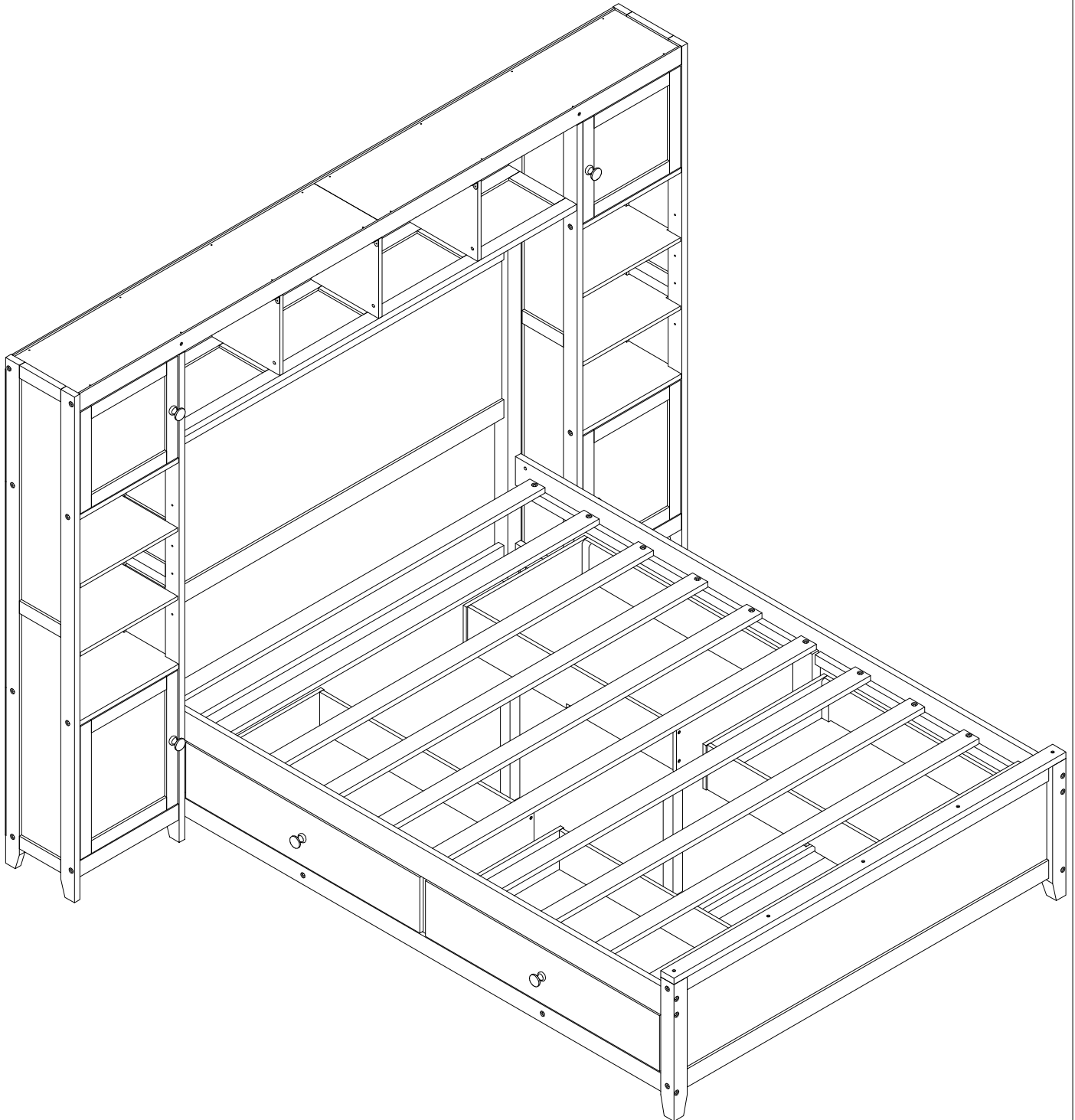


## ASSEMBLY INSTRUCTION

**This set is included 3 boxes if don't receive full 3 boxes please contact our customer service team**



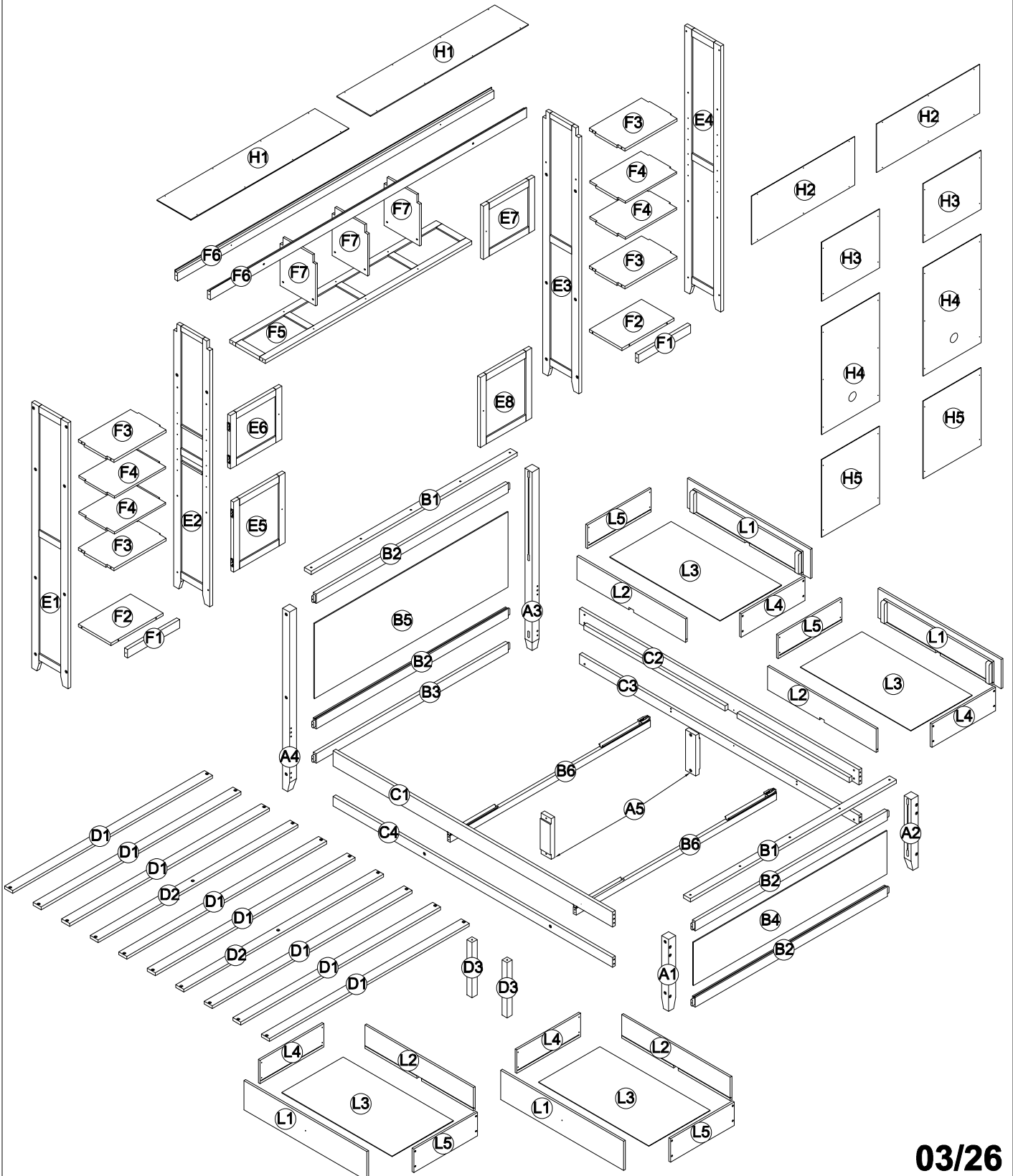
# **! SAFETY WARNINGS !**

1. This bed is designed for use only mattress (es) meeting the following specifications on the upper bunk, and lower bunk


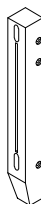
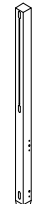

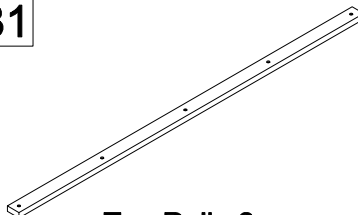



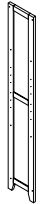
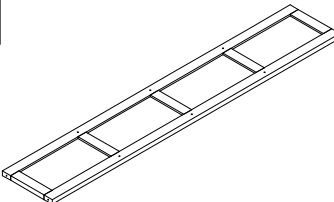
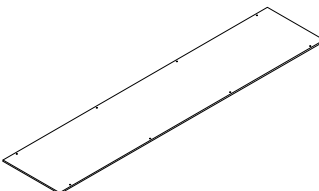
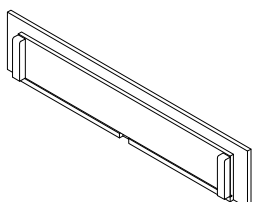
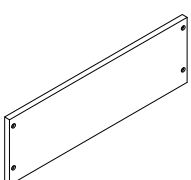
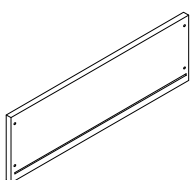
<b>Lower bed Bed Type</b>	<b>Length</b>	<b>Width</b>	<b>Thickness</b>
<i>Twin Standard</i>	<i>74" - 75"</i>	<i>38 1/2"</i>	<i>8" max</i>

2. Replacement parts, including additional guardrails, maybe obtained from any of our
3. Follow the information on the warnings appearing on the upper bunk bed end structure and on the carton. Do not remove warning label from bed
4. Always use the recommended size mattresses or mattress supports, or both, to help prevent the likelihood of entrapment or falls.
5. Surface of mattress must be at least 5" (127mm) below the upper edge of guardrails
6. Do not allow children under 6 years of age to use the upper bunk.
7. Periodically check and ensure that the guardrail, ladder, and other components are in their proper position, free from damage, and that all connectors are tight.
8. Do not allow horseplay on or under the bed and prohibit jumping on the bed.
9. Always use the ladder for entering and leaving the upper bunkAlways use the ladder for entering and leaving the upper bunk.
10. Do not use substitute part. Contact the manufacture or dealer for replacement part
11. Use of a night light may provide added safety precaution for a child using the upper bunk..
12. Always use guardrails on both long sides of the upper bunk. If the bunk bed will be placed next to the wall, the guardrail that runs the full length of the bed should be placed against the wall to prevent entrapment between the bed and wall.
13. The use of water or sleep flotation mattresses is prohibited
14. **STRANGULATION HAZARD** - Never attach or hang items to any part of the bunk bed that are not designed for use with the bed; for example, but not limited to, hook, belts and jump ropes
15. Keep these instruction for future reference
16. Prohibit more than one person on upper bunk
17. We recommend assembling your bunk bed on the shipping carton to protect your floor or carpet
18. Be certain all staples are out of the box before beginning assembly on the shipping carton.

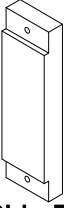
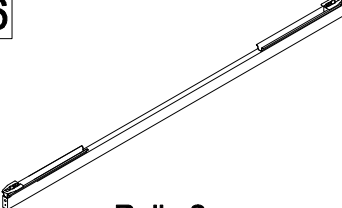
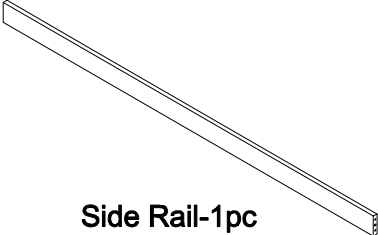
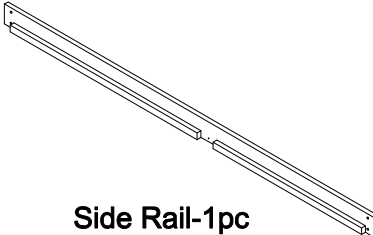
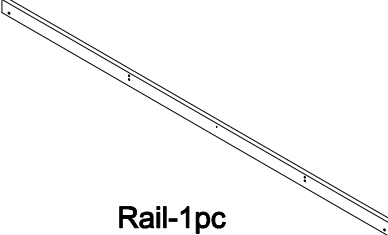
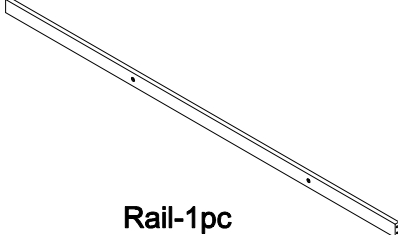
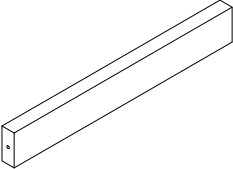
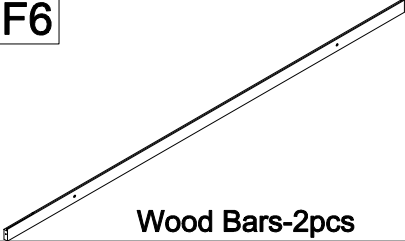
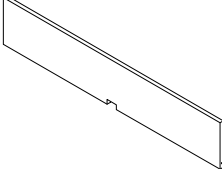
# ASSEMBLY INSTRUCTION



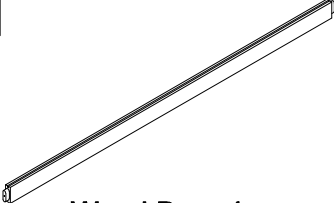
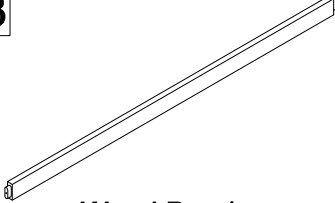
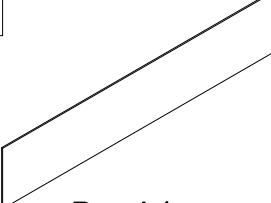
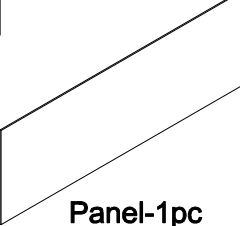
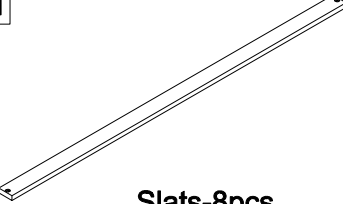
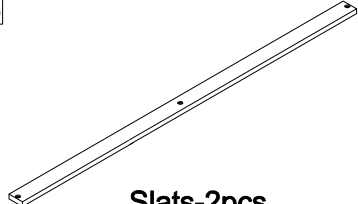

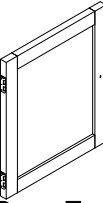
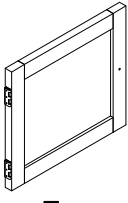
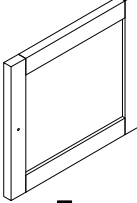
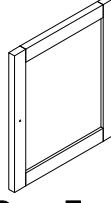
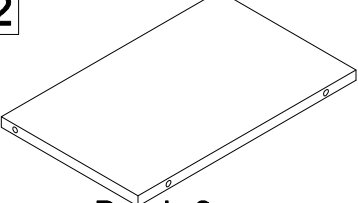
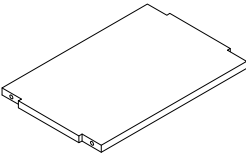
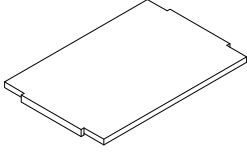
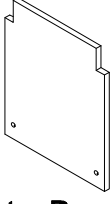
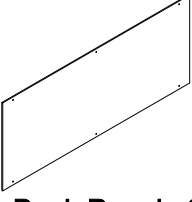
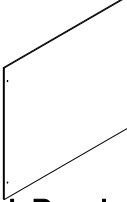
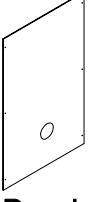
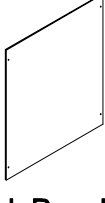
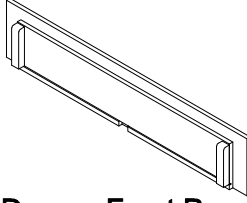
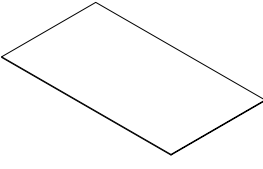
# Part List & Hardware List

<p><b>A1</b></p>  <p>Leg-1pc</p>	<p><b>A2</b></p>  <p>Leg-1pc</p>	<p><b>A3</b></p>  <p>Leg-1pc</p>
<p><b>A4</b></p>  <p>Leg-1pc</p>	<p><b>B1</b></p>  <p>Top Rails-2pcs</p>	<p><b>E1</b></p>  <p>Side Frame-1pc</p>
<p><b>E2</b></p>  <p>Side Frame-1pc</p>	<p><b>E3</b></p>  <p>Side Frame-1pc</p>	<p><b>E4</b></p>  <p>Side Frame-1pc</p>
<p><b>F5</b></p>  <p>Frame-1pc</p>	<p><b>H1</b></p>  <p>Top Panels-2pcs</p>	<p><b>L1</b></p>  <p>Drawer-Front Panels-2pcs</p>
<p><b>L4</b></p>  <p>Drawer-Side Panels-4pcs</p>	<p><b>L5</b></p>  <p>Drawer-Side Panels-4pcs</p>	

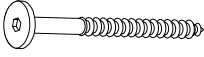



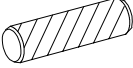
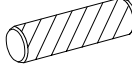
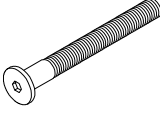


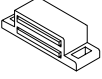


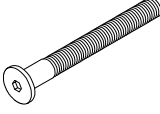

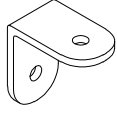
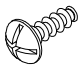
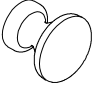
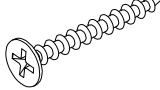
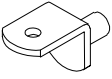


# Part List

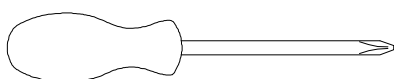
<b>A5</b>  Support Side Rails-2pcs	<b>B6</b>  Rails-2pcs	<b>C1</b>  Side Rail-1pc
<b>C2</b>  Side Rail-1pc	<b>C3</b>  Rail-1pc	<b>C4</b>  Rail-1pc
<b>F1</b>  Wood bars-2pcs	<b>F6</b>  Wood Bars-2pcs	<b>L2</b>  Drawer-Front Panels-4pcs

# Part List

<p><b>B2</b></p>  <p>Wood Bars-4pcs</p>	<p><b>B3</b></p>  <p>Wood Bar-1pc</p>	<p><b>B4</b></p>  <p>Panel-1pc</p>
<p><b>B5</b></p>  <p>Panel-1pc</p>	<p><b>D1</b></p>  <p>Slats-8pcs</p>	<p><b>D2</b></p>  <p>Slats-2pcs</p>
<p><b>D3</b></p>  <p>Center Legs-2pcs</p>	<p><b>E5</b></p>  <p>Door Frame-1pc</p>	<p><b>E6</b></p>  <p>Door Frame-1pc</p>
<p><b>E7</b></p>  <p>Door Frame-1pc</p>	<p><b>E8</b></p>  <p>Door Frame-1pc</p>	<p><b>F2</b></p>  <p>Panels-2pcs</p>
<p><b>F3</b></p>  <p>Panels-4pcs</p>	<p><b>F4</b></p>  <p>Remove Panels-4pcs</p>	<p><b>F7</b></p>  <p>Center Panels-3pcs</p>
<p><b>H2</b></p>  <p>Back Panels-2pcs</p>	<p><b>H3</b></p>  <p>Back Panels-2pcs</p>	<p><b>H4</b></p>  <p>Back Panels-2pcs</p>
<p><b>H5</b></p>  <p>Back Panels-2pcs</p>	<p><b>L1</b></p>  <p>Drawer-Front Panels-2pcs</p>	<p><b>L3</b></p>  <p>Drawer-Bottom Panels-4pcs</p>

# Hardware List

<p><b>1</b></p>  <p><b>Screws 1/4"x70 10pcs</b></p>	<p><b>2</b></p>  <p><b>M4 x 30 mm Wood Screws 64pcs</b></p>	<p><b>3</b></p>  <p><b>Screws 1/4"x30 4pcs</b></p>
<p><b>4</b></p>  <p><b>Screws 1/4"x50 16pcs</b></p>	<p><b>5</b></p>  <p><b>Ø8 x 30 mm Wood dowel 8pcs</b></p>	<p><b>6</b></p>  <p><b>Ø10 x 40 mm Wood dowel 8pcs</b></p>
<p><b>7</b></p>  <p><b>Ø1/4" x 100 mm Hex-Head bolts 12pcs</b></p>	<p><b>8</b></p>  <p><b>Ø1/4" x 13 mm Horizontal-Hole bolts 22pcs</b></p>	<p><b>9</b></p>  <p><b>Ø1/4" x 30 mm Hex-Head bolts 22pcs</b></p>
<p><b>10</b></p>  <p><b>Door Catches 45x17x13 4pcs</b></p>	<p><b>11</b></p>  <p><b>M3 x 15 mm Wood Screws 8pcs</b></p>	<p><b>12</b></p>  <p><b>M4 x 15 mm Wood Screws 56pcs</b></p>
<p><b>13</b></p>  <p><b>Ø1/4" x 60 mm Hex-Head bolts 10pcs</b></p>	<p><b>14</b></p>  <p><b>M3.5 x 12 mm Wood Screws 34pcs</b></p>	<p><b>15</b></p>  <p><b>Steel Bracket 3pcs</b></p>
<p><b>16</b></p>  <p><b>Ø1/6" x 25 mm Hex-Head bolts 8pcs</b></p>	<p><b>17</b></p>  <p><b>Handle Wood 8pcs</b></p>	<p><b>18</b></p>  <p><b>M3 x 12 mm Wood Screws 24pcs</b></p>
<p><b>19</b></p>  <p><b>Dowel Remove Shelves 16pcs</b></p>	<p><b>20</b></p>  <p><b>Runner(4pcs) 453*30mm</b></p>	<p><b>21</b></p>  <p><b>Allen Key 1pc</b></p>

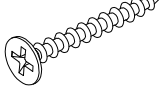
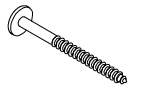


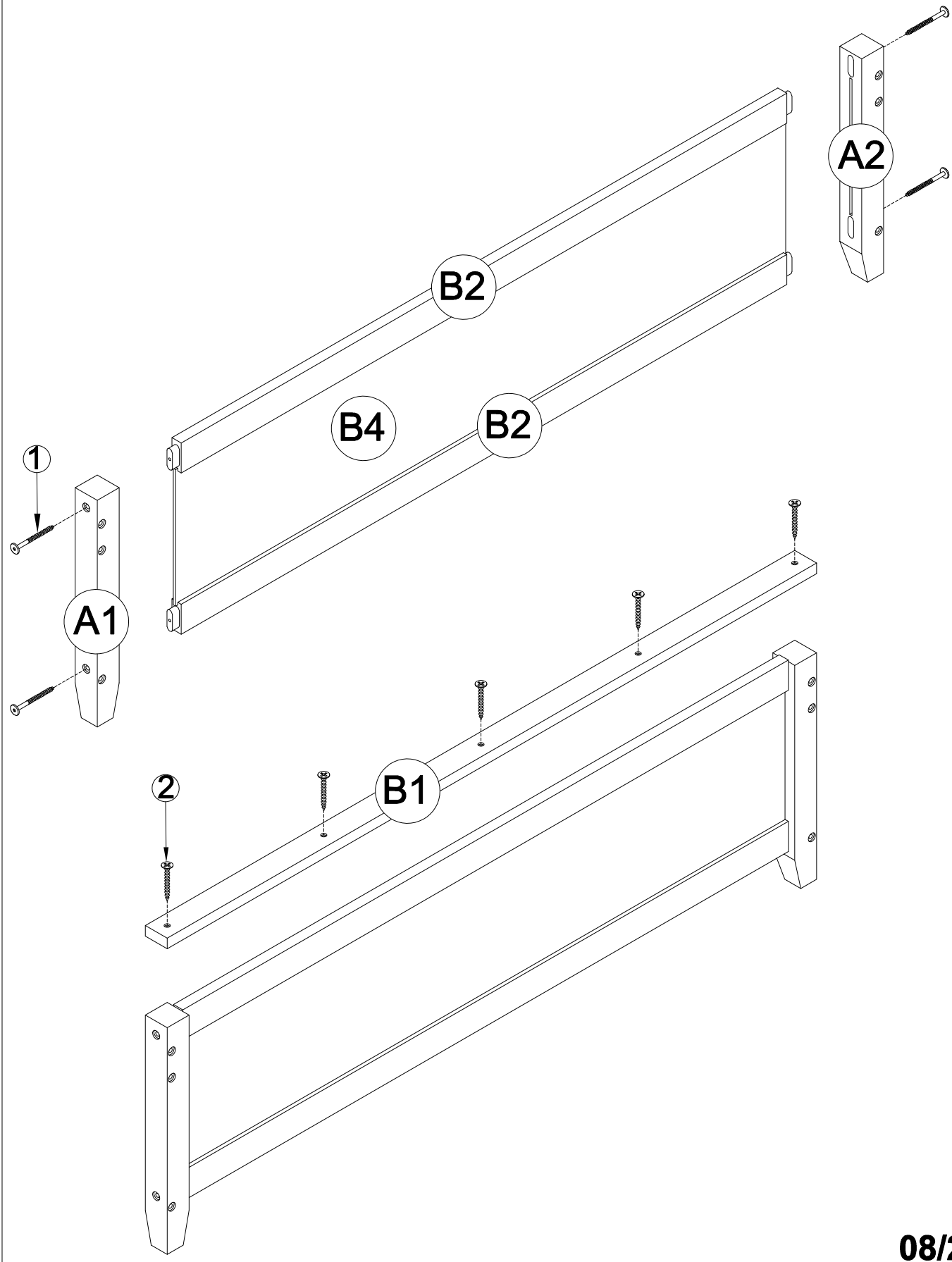
**Assembly Tools Required (Not Included)**

# STEP 1: Following below illustration Assembly .

1.1:Using hardware #1 connect B2(x2) Wood Bars,B4 Panel with A1,A2 Legs

1.2:Using hardware #2 connect B1 Top rail with Frame(completd on step 1.1)

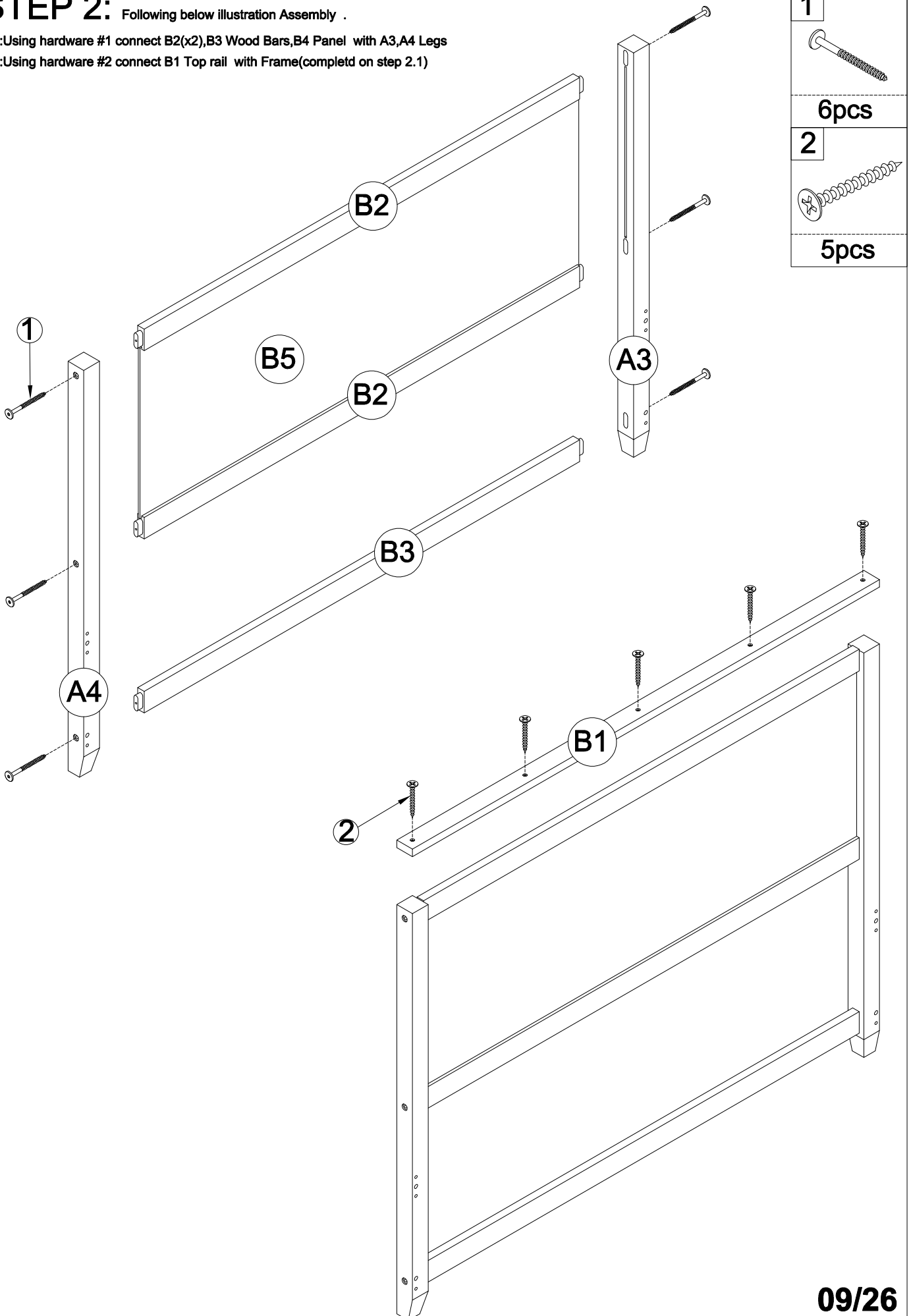
2	1
	
5pcs	4pcs



# STEP 2: Following below illustration Assembly .

2.1:Using hardware #1 connect B2(x2),B3 Wood Bars,B4 Panel with A3,A4 Legs

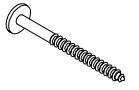
2.2:Using hardware #2 connect B1 Top rail with Frame(completd on step 2.1)



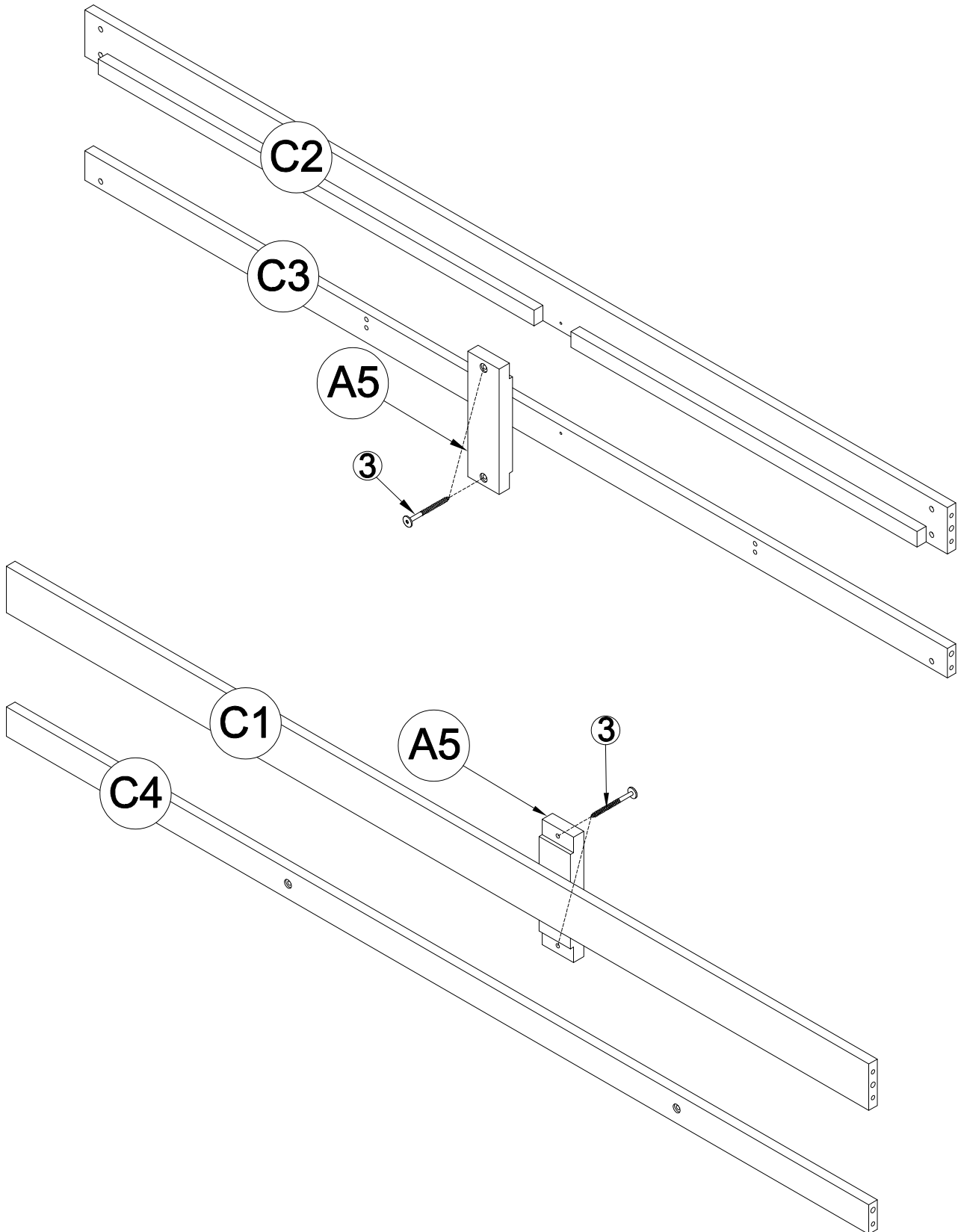
# STEP 3: Following below illustration Assembly .

- Using hardware #3 connect C2 Side Rail and C3 Rail with A5 Rail
- Using hardware #3 connect C1 Side Rail and C4 Rail with A5 Rail

3


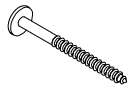


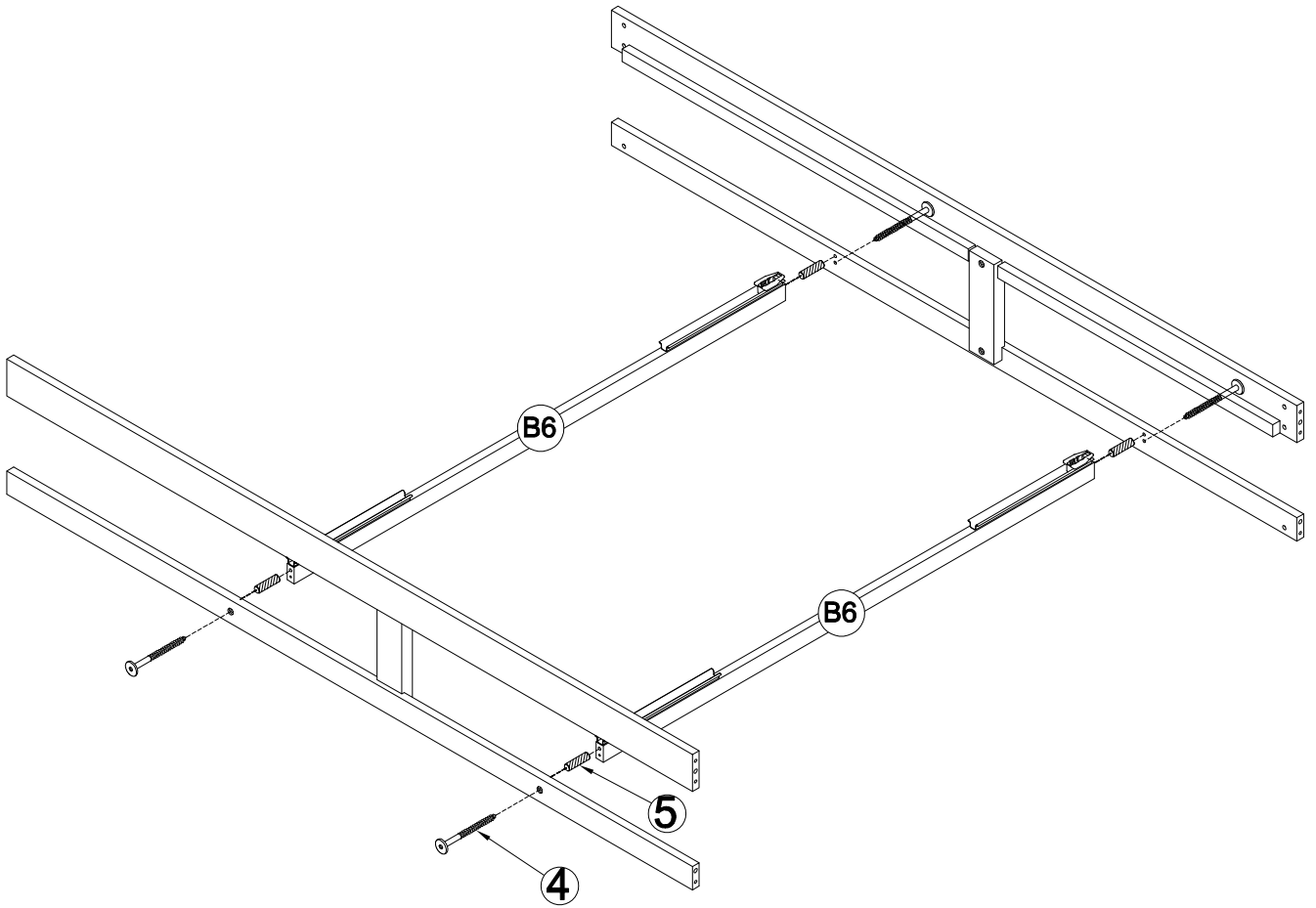
4pcs



# STEP 4: Following below illustration Assembly .

-Using hardware #4 and Dowel 5 connect Frame(completed on step 3) with B6(x2) Rail

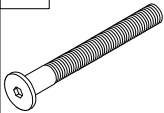


5		4	
	4pcs		4pcs

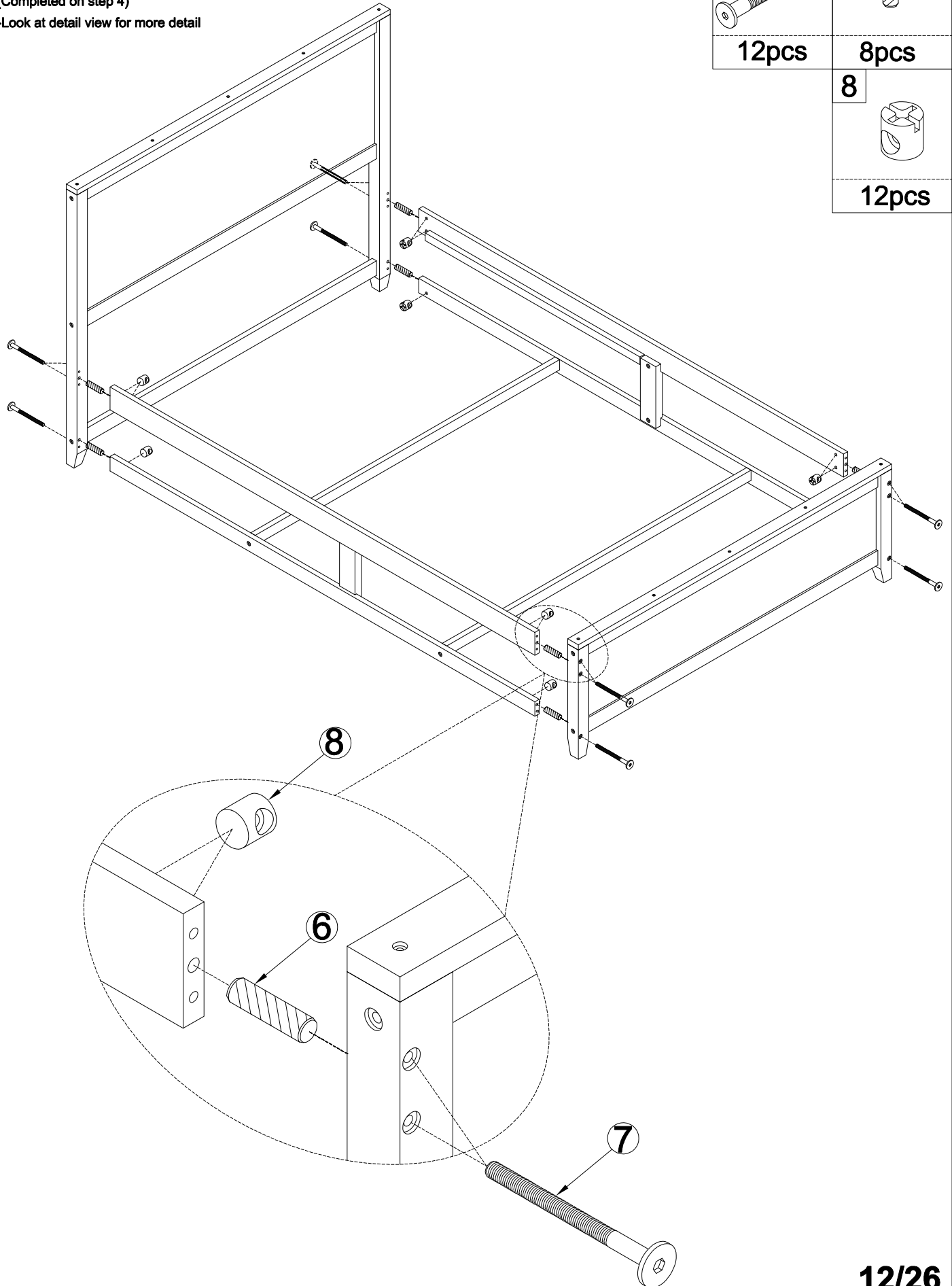


# STEP 5: Following below illustration:

-Using hardware #7, #8 and dowel #6 to Assembly Frames (Completed on step 1.2, step 2.2) with Frame (Completed on step 4)

-Look at detail view for more detail

7		6	
12pcs		8pcs	
		8	
		12pcs	



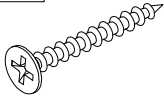
# STEP 6: Following below illustration:

-Using hardward #9 to Assembly Slats D2 with Center Leg D3

-Screw 8 slats D1 and 2 Slats D2 with Side Rail C1,C2 by using hardward #2.

-Look at detail view for more detail

2

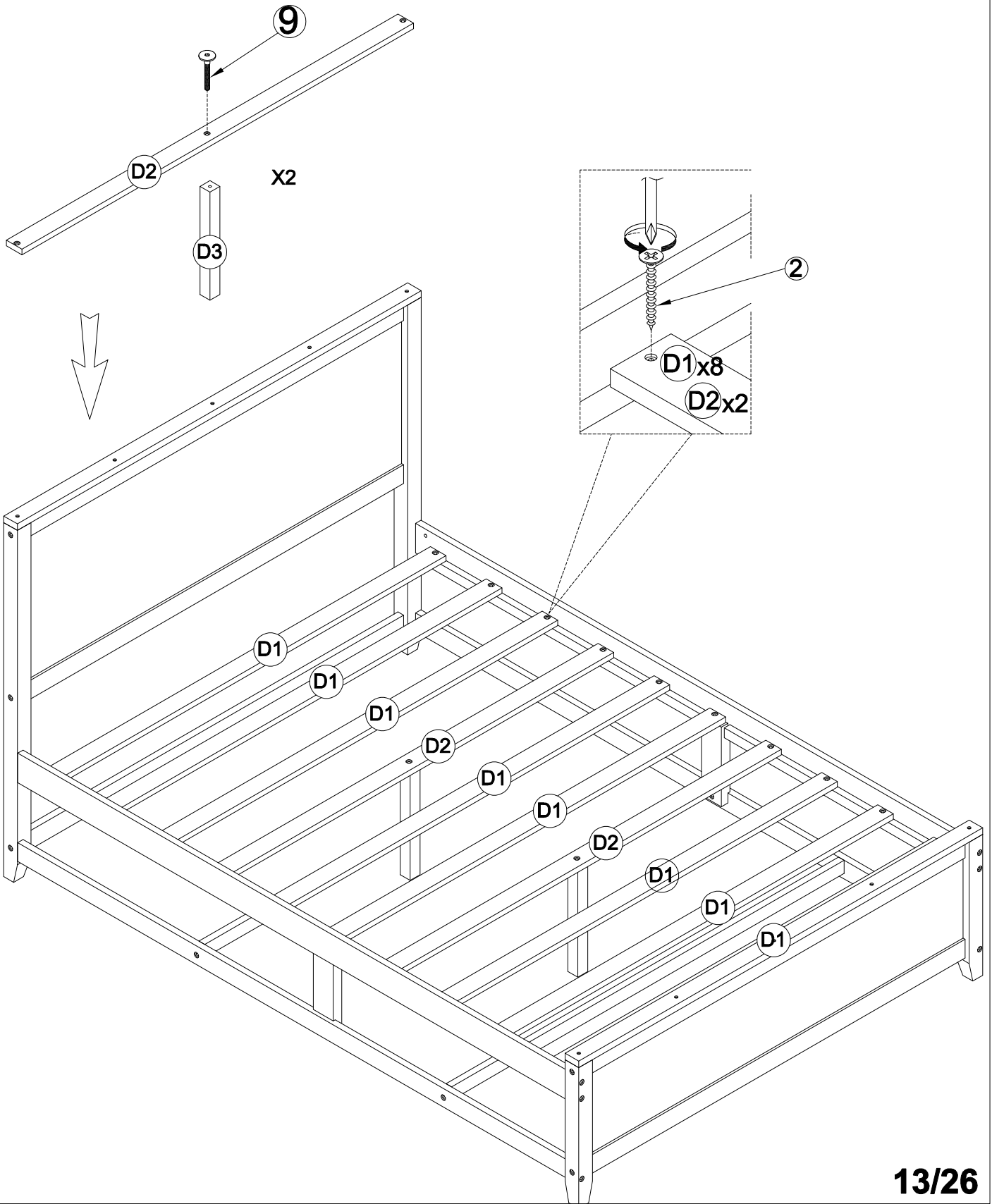


20pcs

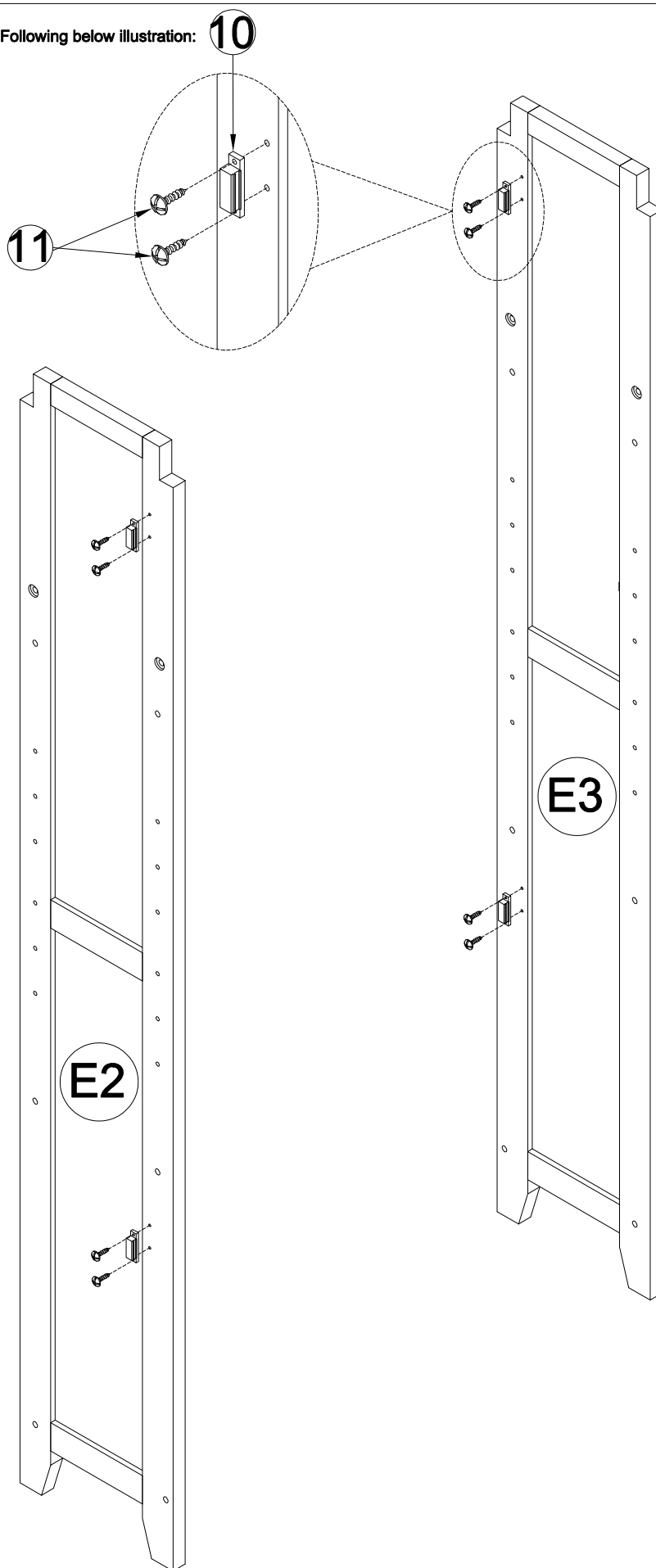
9

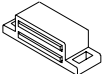
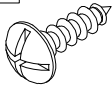


2pcs

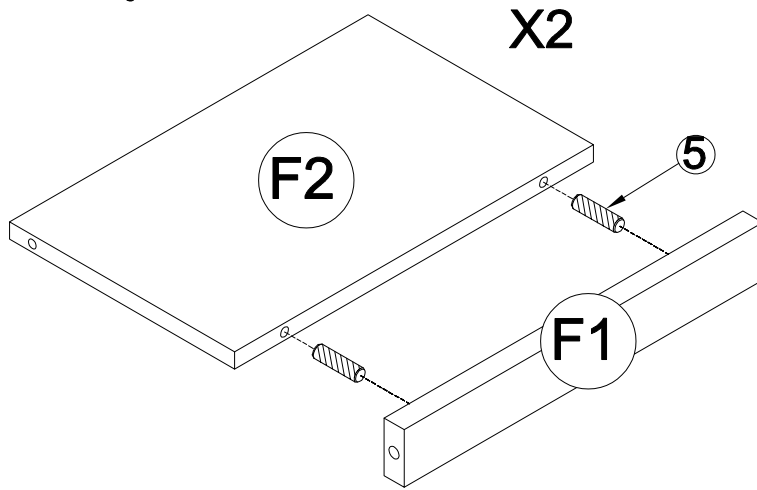


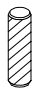
**STEP 7-1:** Following below illustration:



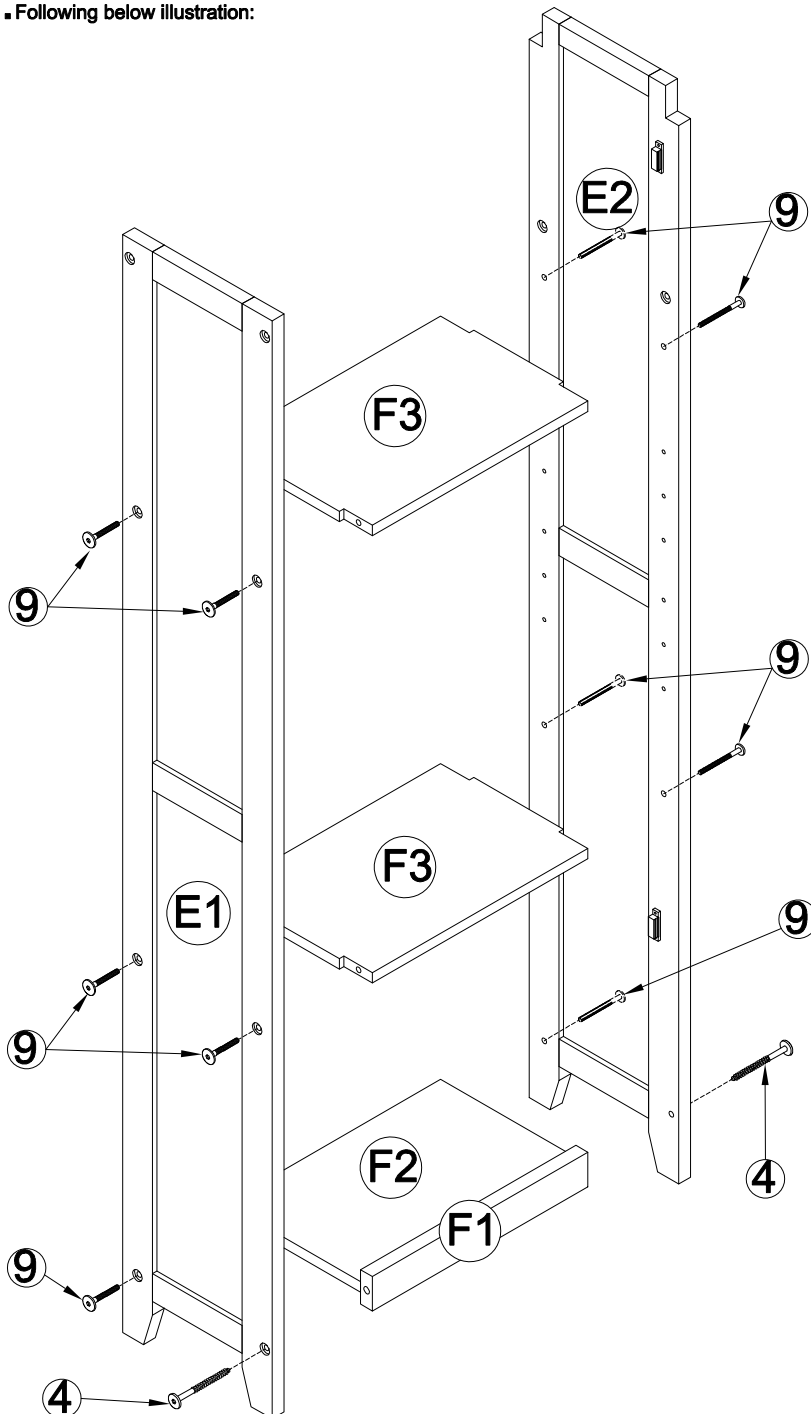
<b>10</b>	
	<b>4pcs</b>
<b>11</b>	
	<b>8pcs</b>


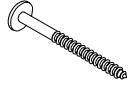
**STEP 7-2:** Following below illustration:



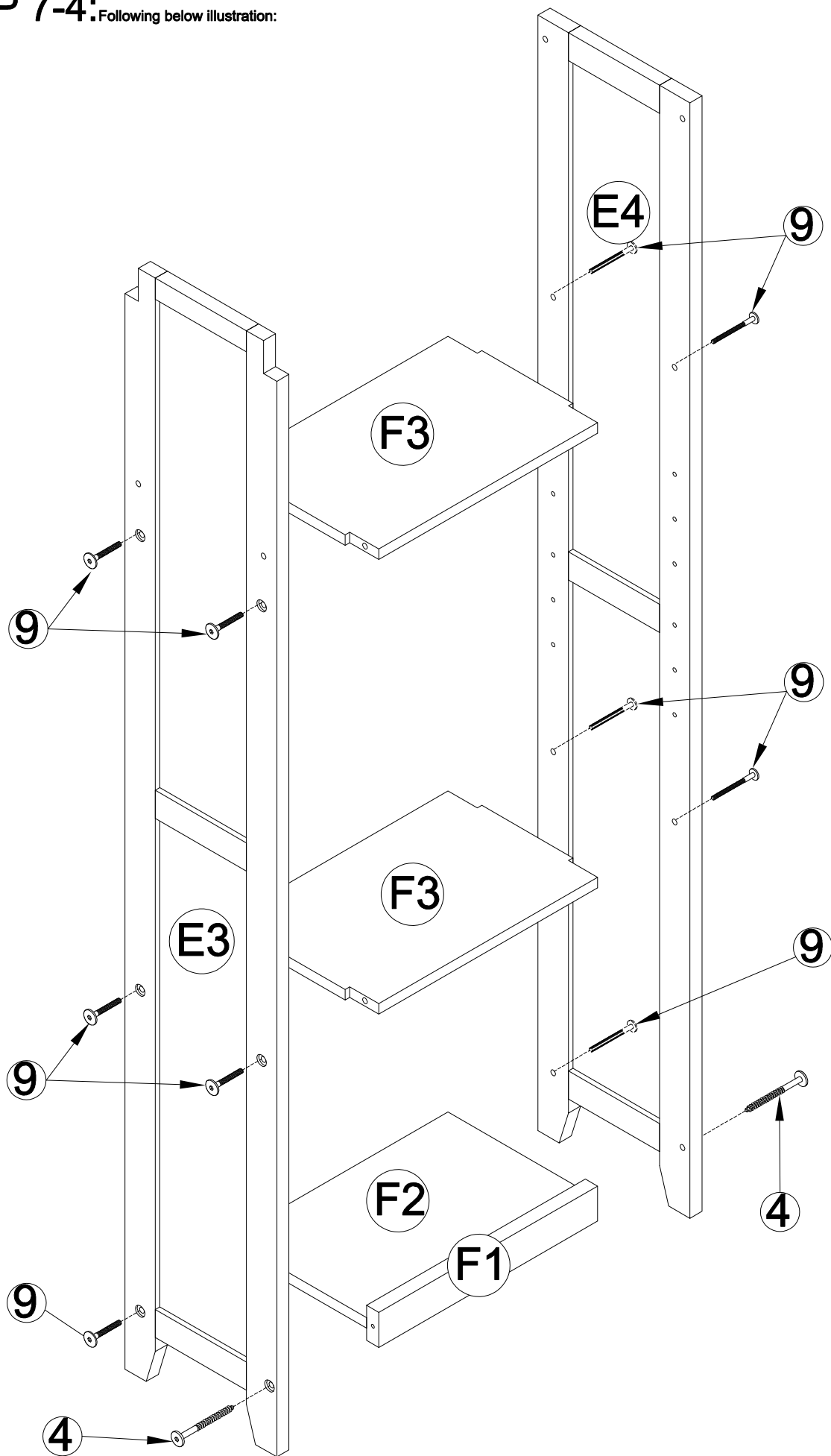
5	
2x2pcs	



**STEP 7-3:** Following below illustration:



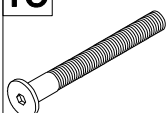
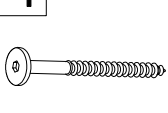
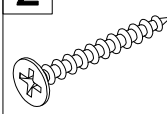

9	
10pcs	
4	
2pcs	

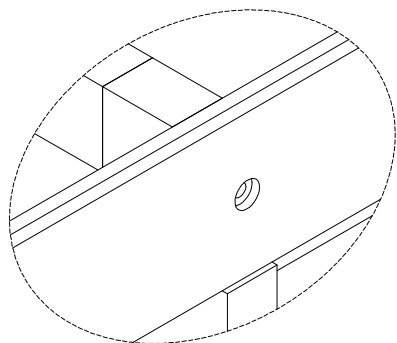
**STEP 7-4:** Following below illustration:



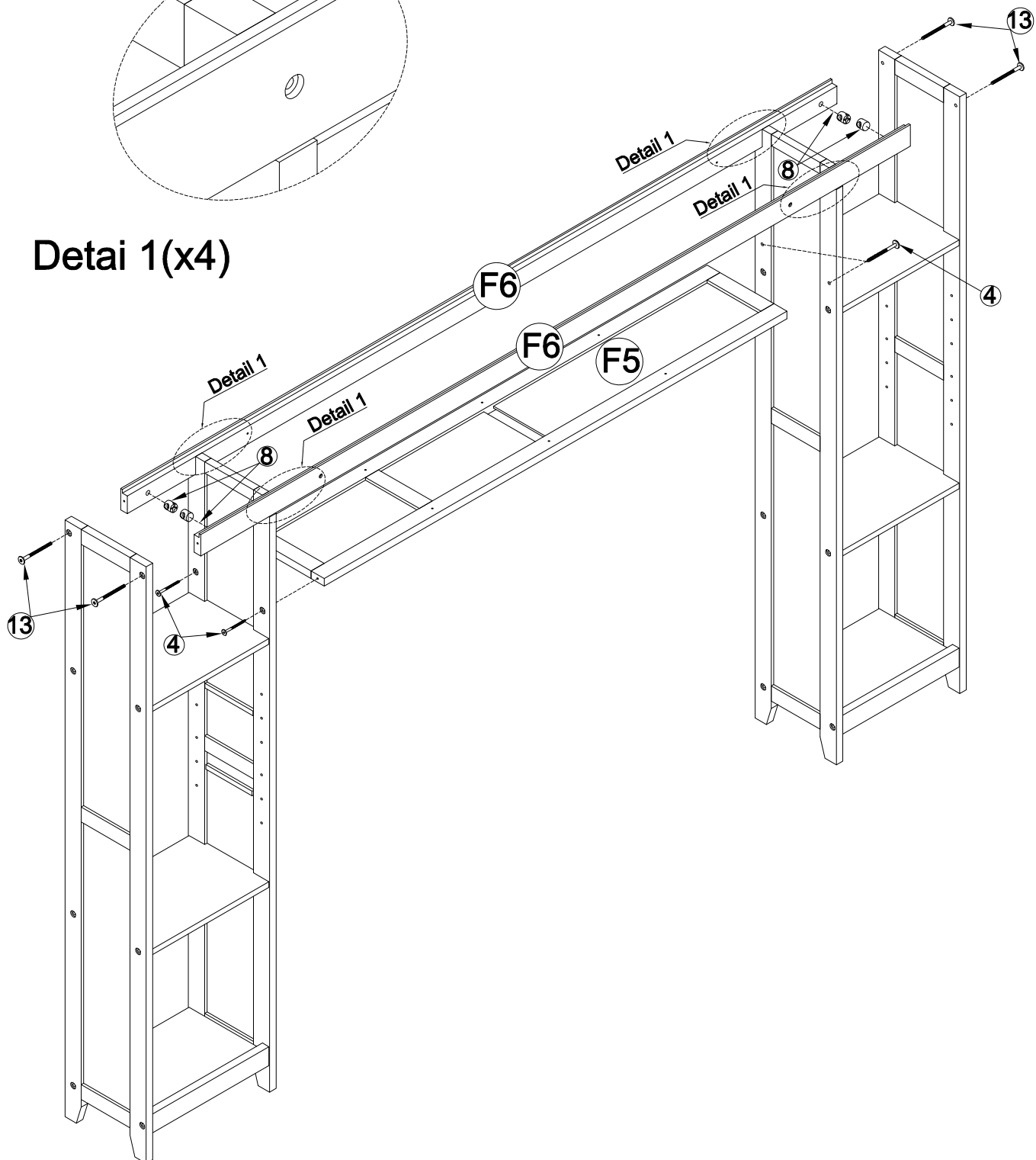
9	
10pcs	
4	
2pcs	

**STEP 7-5:** Following below illustration:



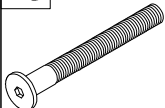
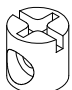
<p><b>13</b></p> 	<p><b>4</b></p> 
<p><b>4pcs</b></p>	<p><b>4pcs</b></p>
<p><b>2</b></p> 	<p><b>8</b></p> 
<p><b>4pcs</b></p>	<p><b>4pcs</b></p>

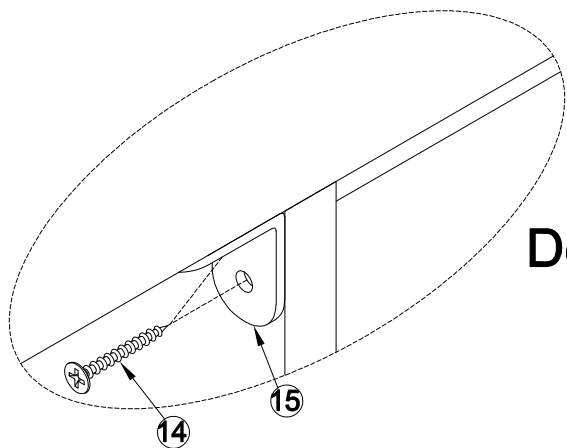


**Detail 1(x4)**

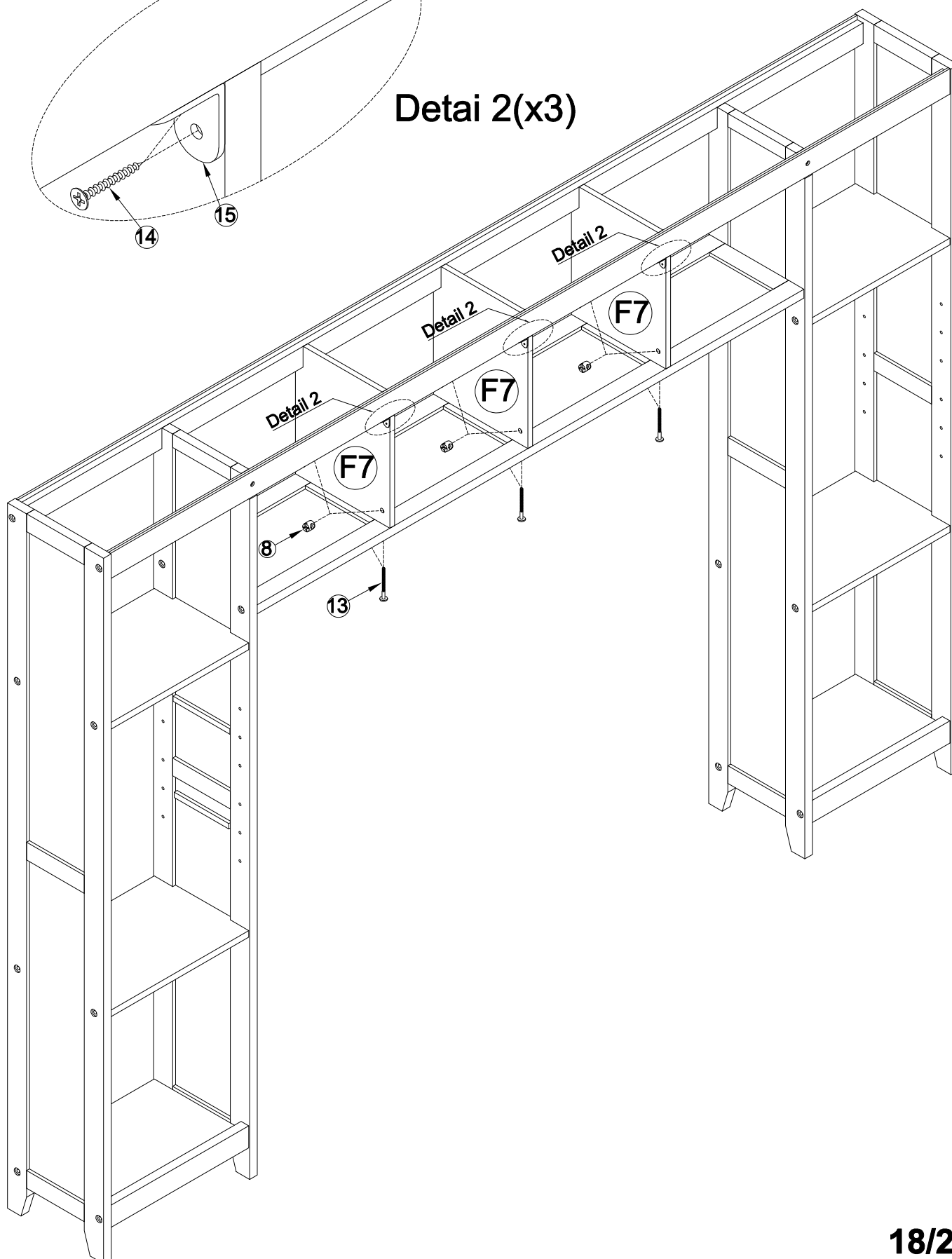


**STEP 7-6:** Following below illustration:

15	14	13	8
			
3pcs	6pcs	6pcs	6pcs

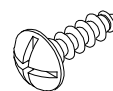


**Detail 2(x3)**

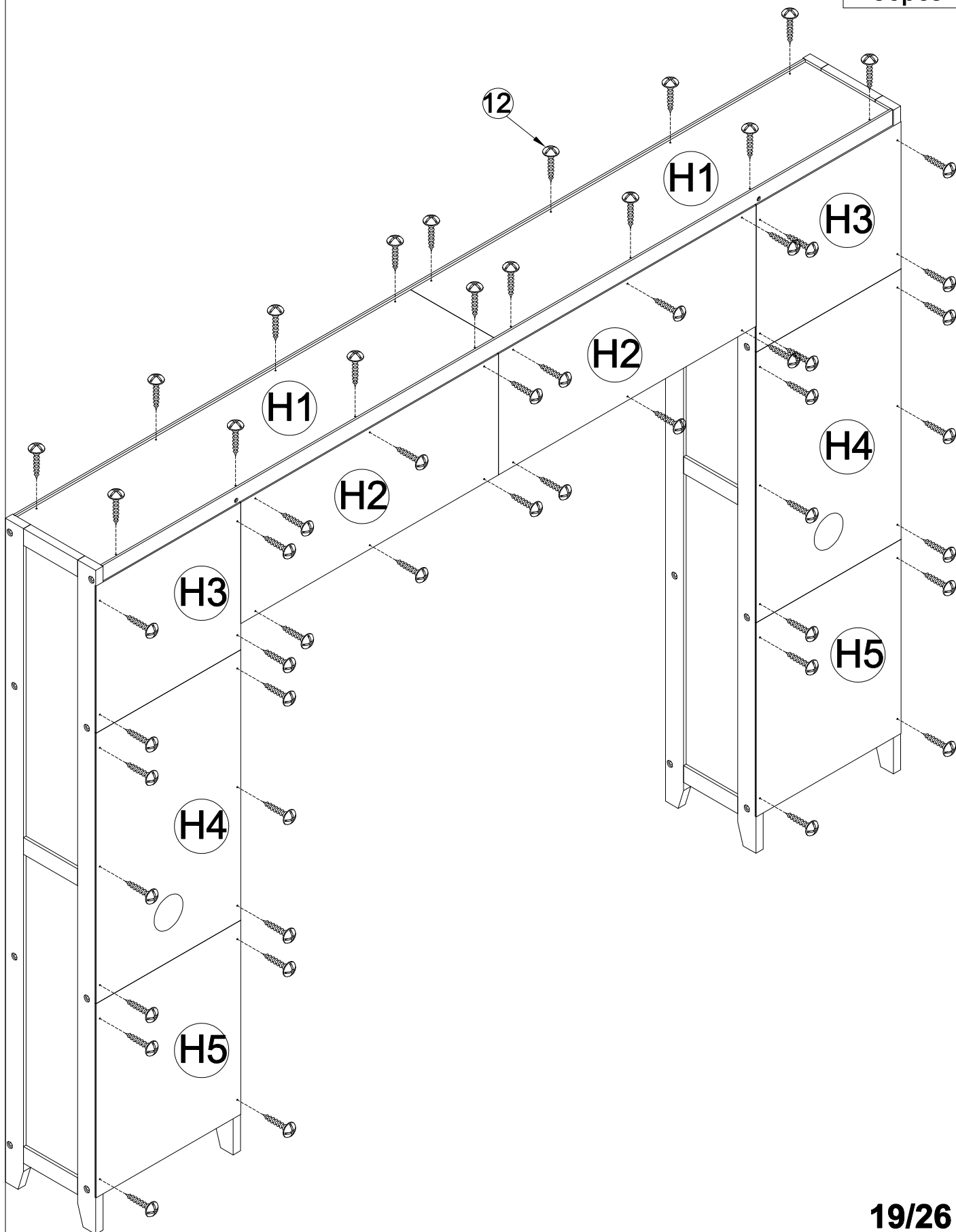


**STEP 7-7:** Following below illustration:


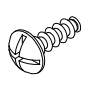
12

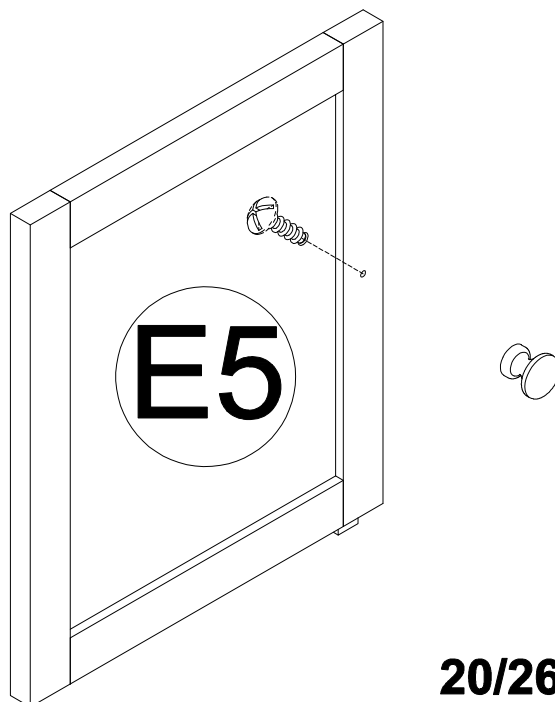
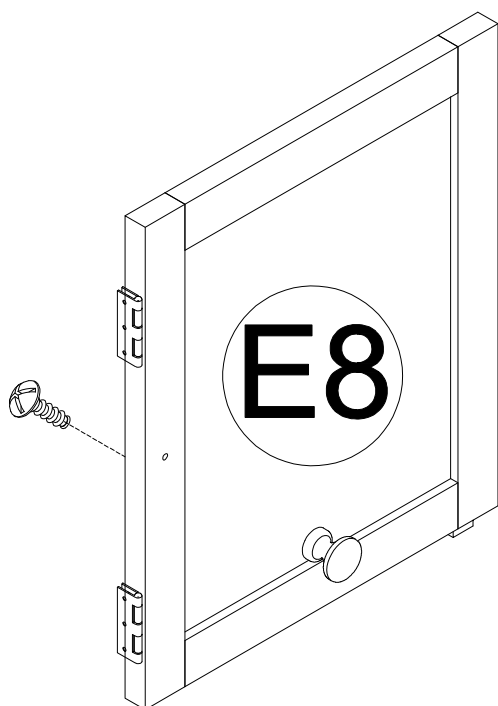
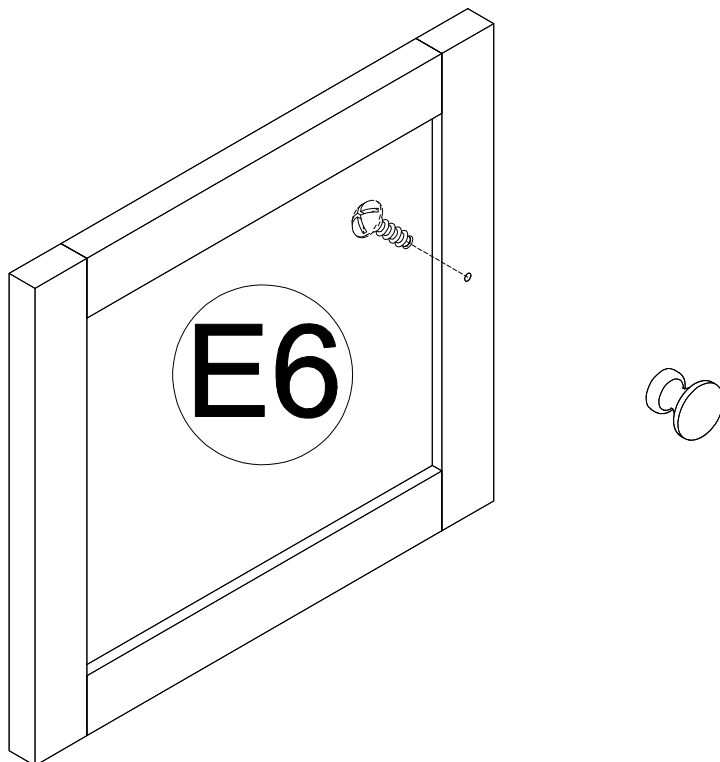
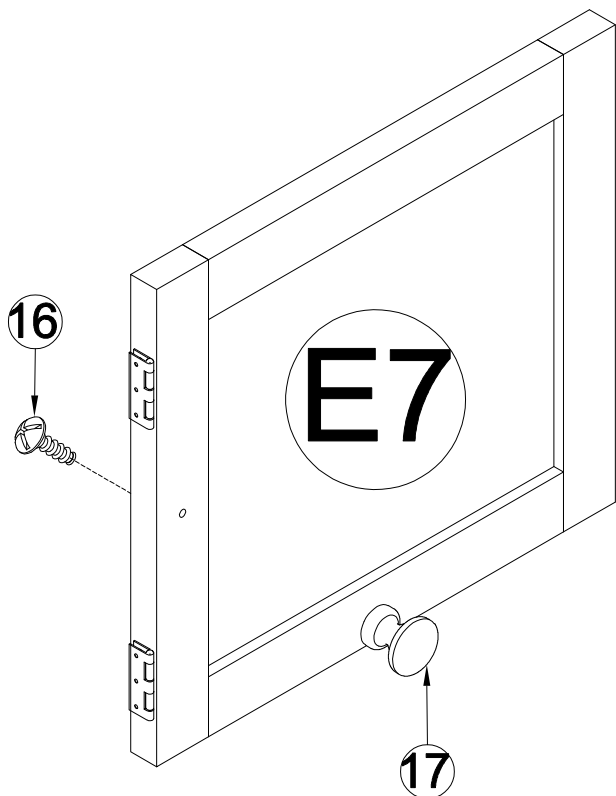


56pcs



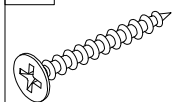
**STEP 7-8:** Following below illustration:

17 	16 
4pcs	4pcs

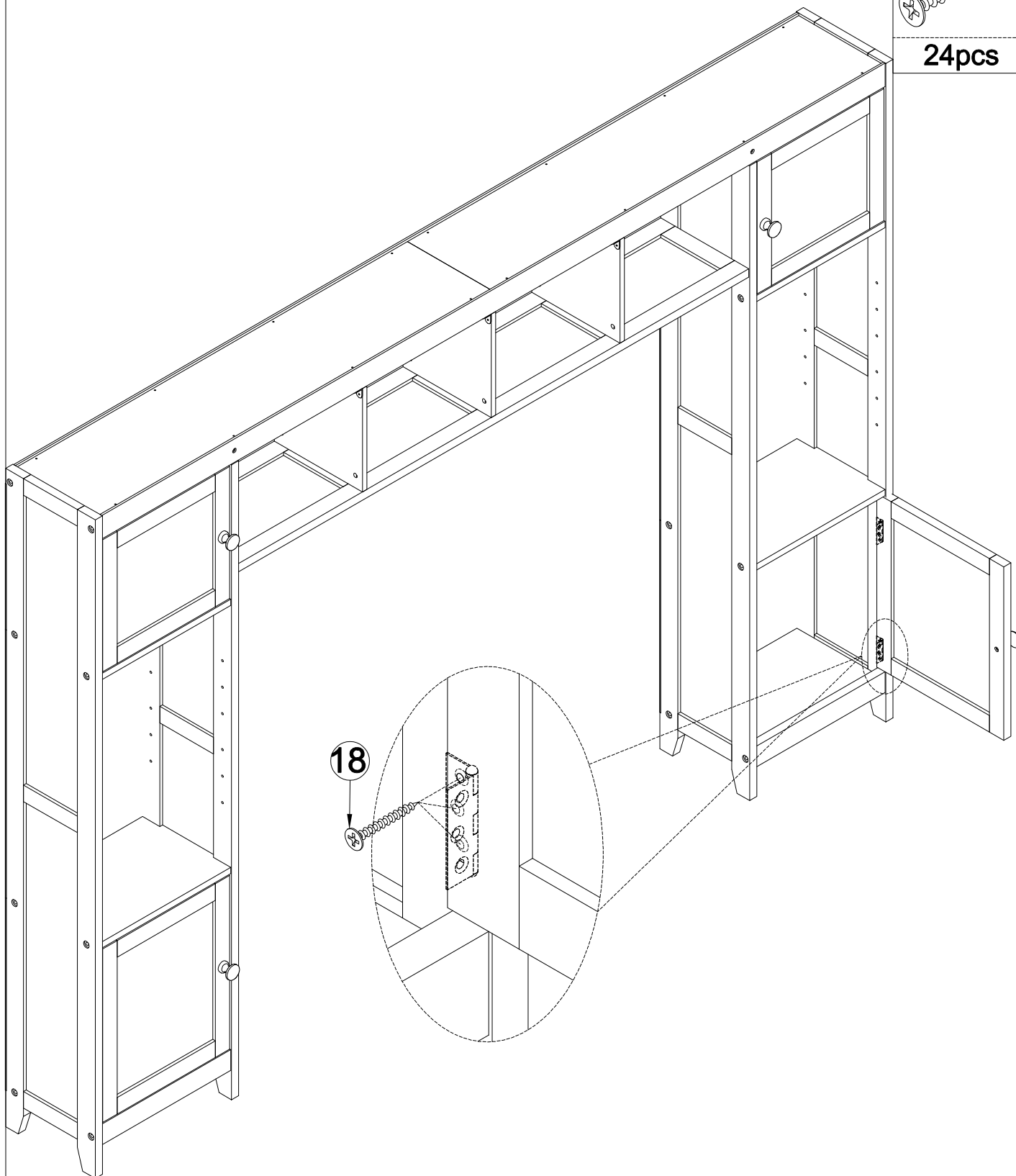


**STEP 7-9:** Following below illustration:


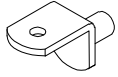
**18**

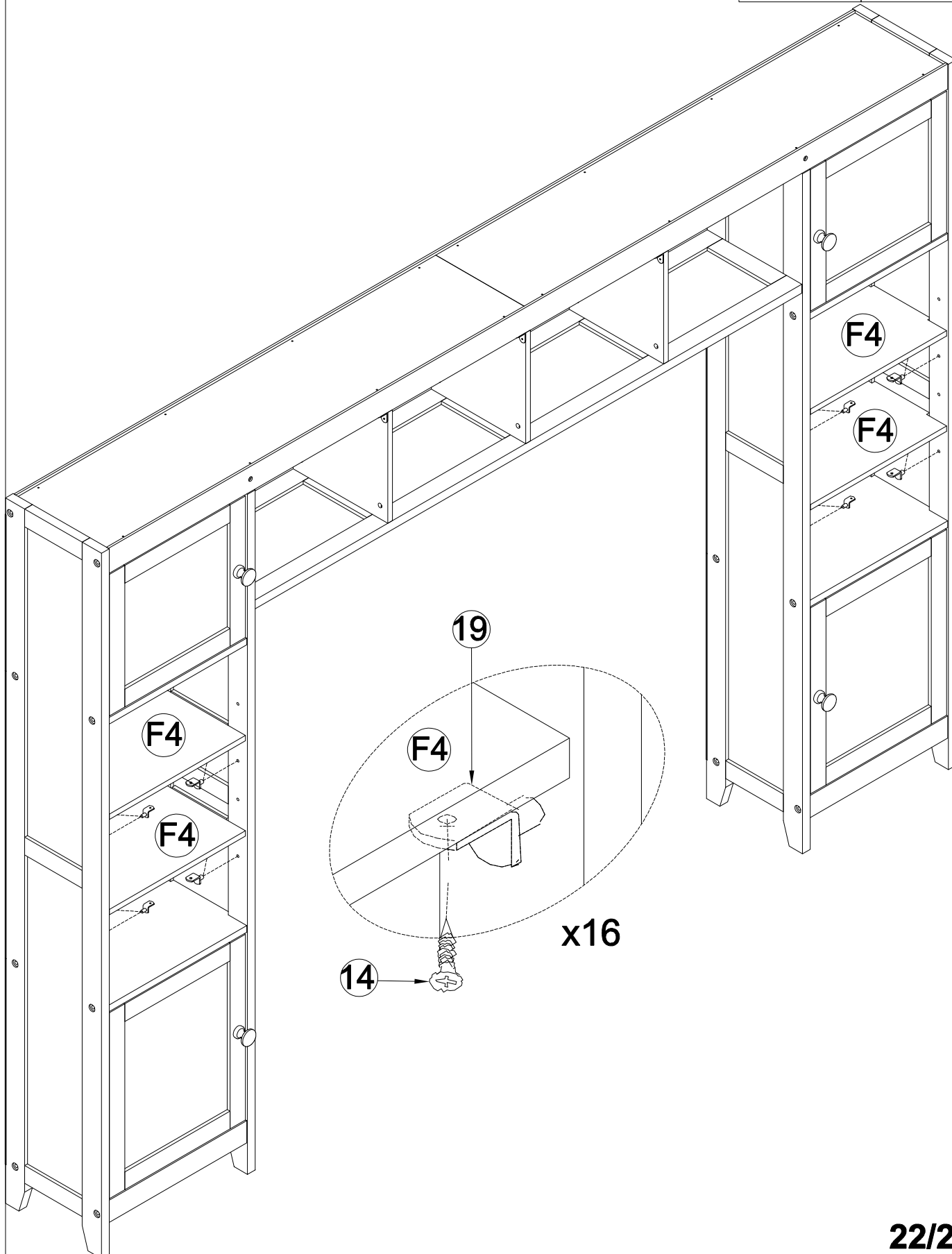


**24pcs**



**STEP 7-10:** Following below illustration:

<b>14</b> 	<b>19</b> 
<b>16pcs</b>	<b>16pcs</b>



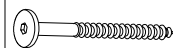
# STEP 8:

Following below illustration:

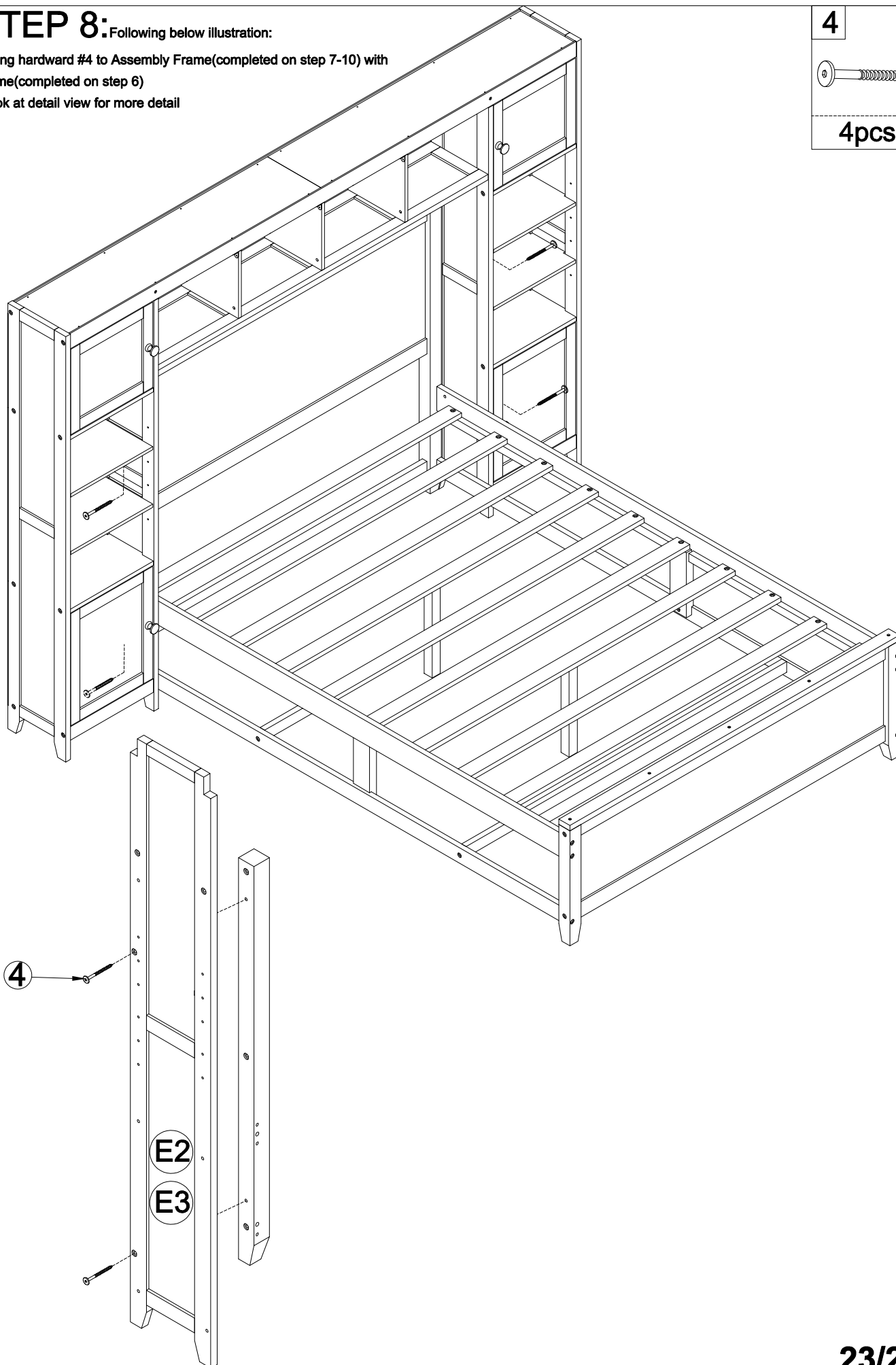
-Using hardward #4 to Assembly Frame(completed on step 7-10) with Frame(completed on step 6)

-Look at detail view for more detail

4



4pcs

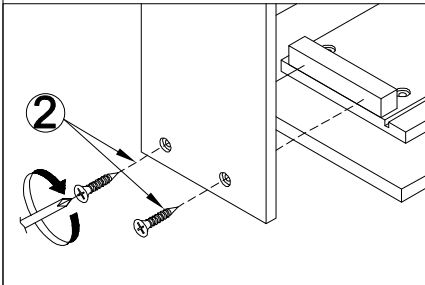
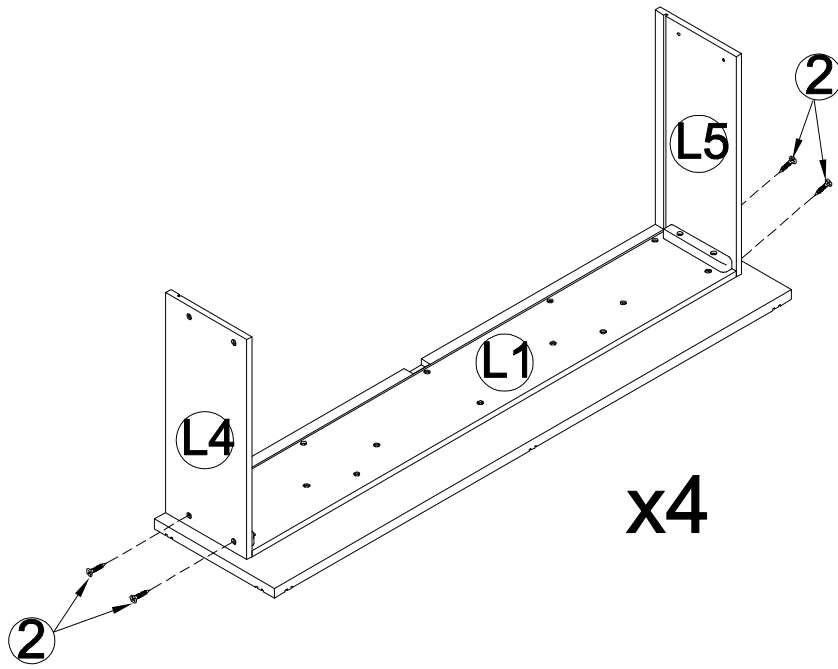


# STEP 9-1:ASSEMBLY DRAWER

2



4x4pcs

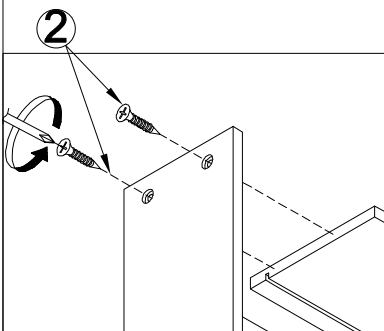
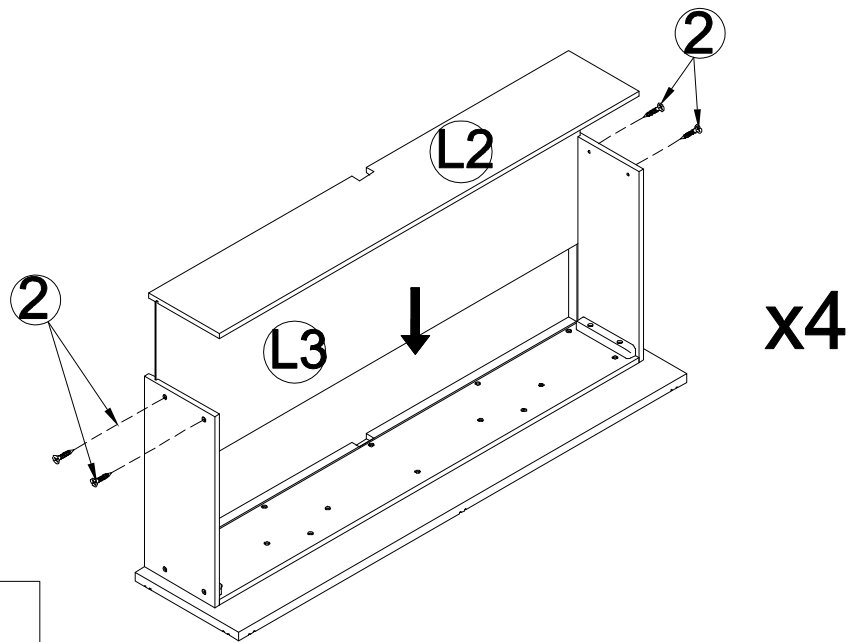


# STEP 9-2:ASSEMBLY DRAWER



2

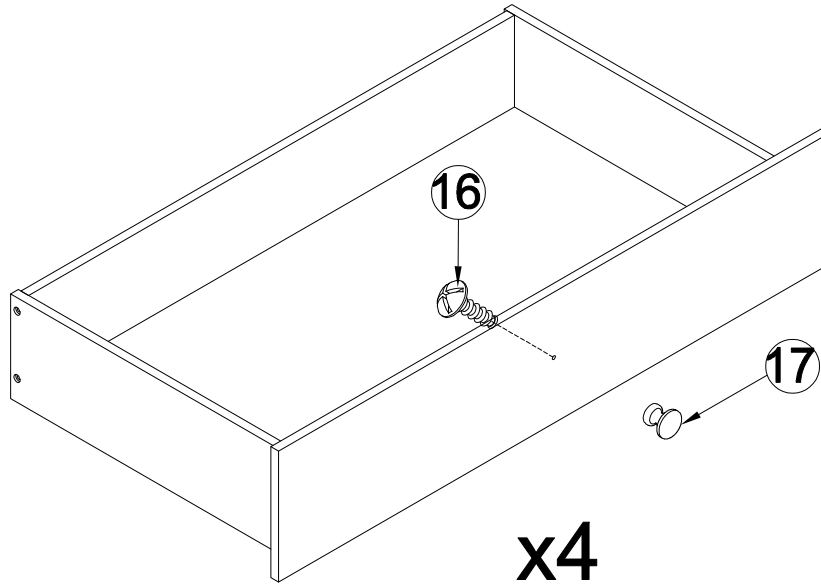


4x4pcs





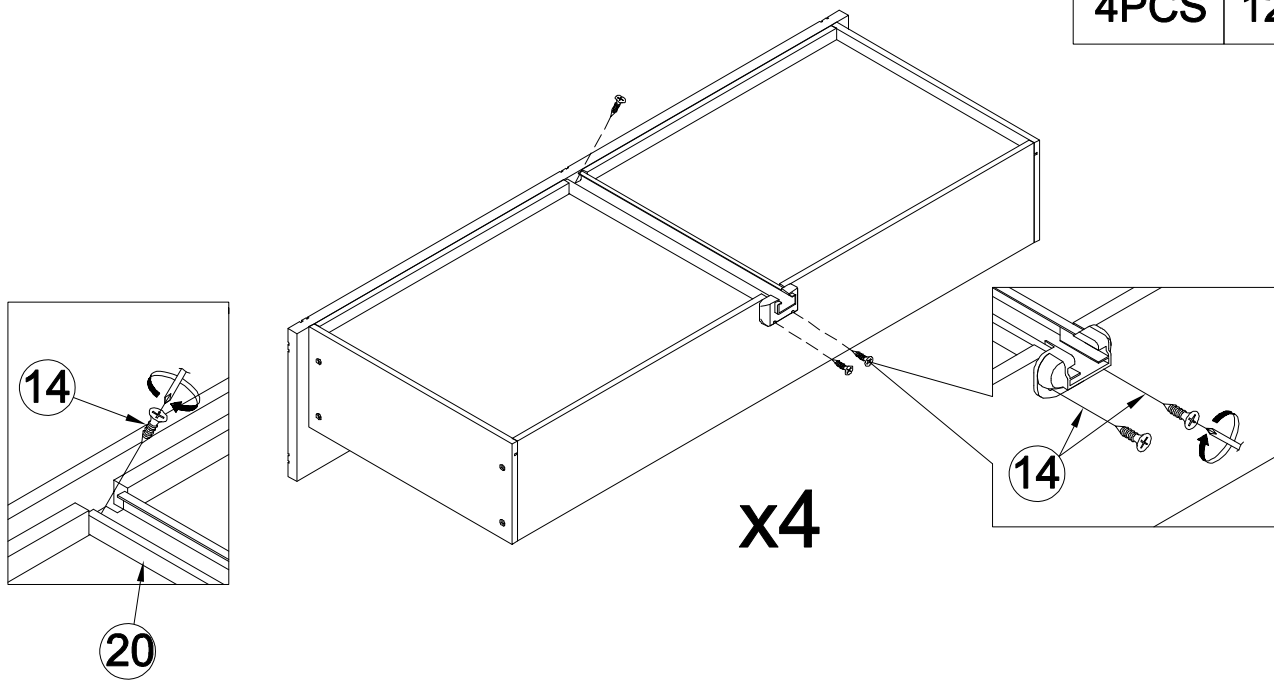
# STEP 9-3:ASSEMBLY DRAWER

17	16
	
4pcs	4pcs



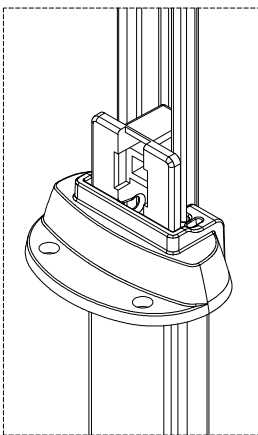
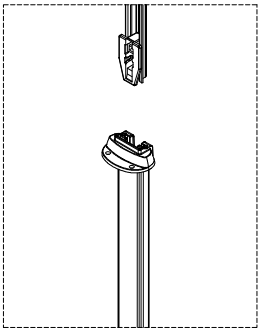
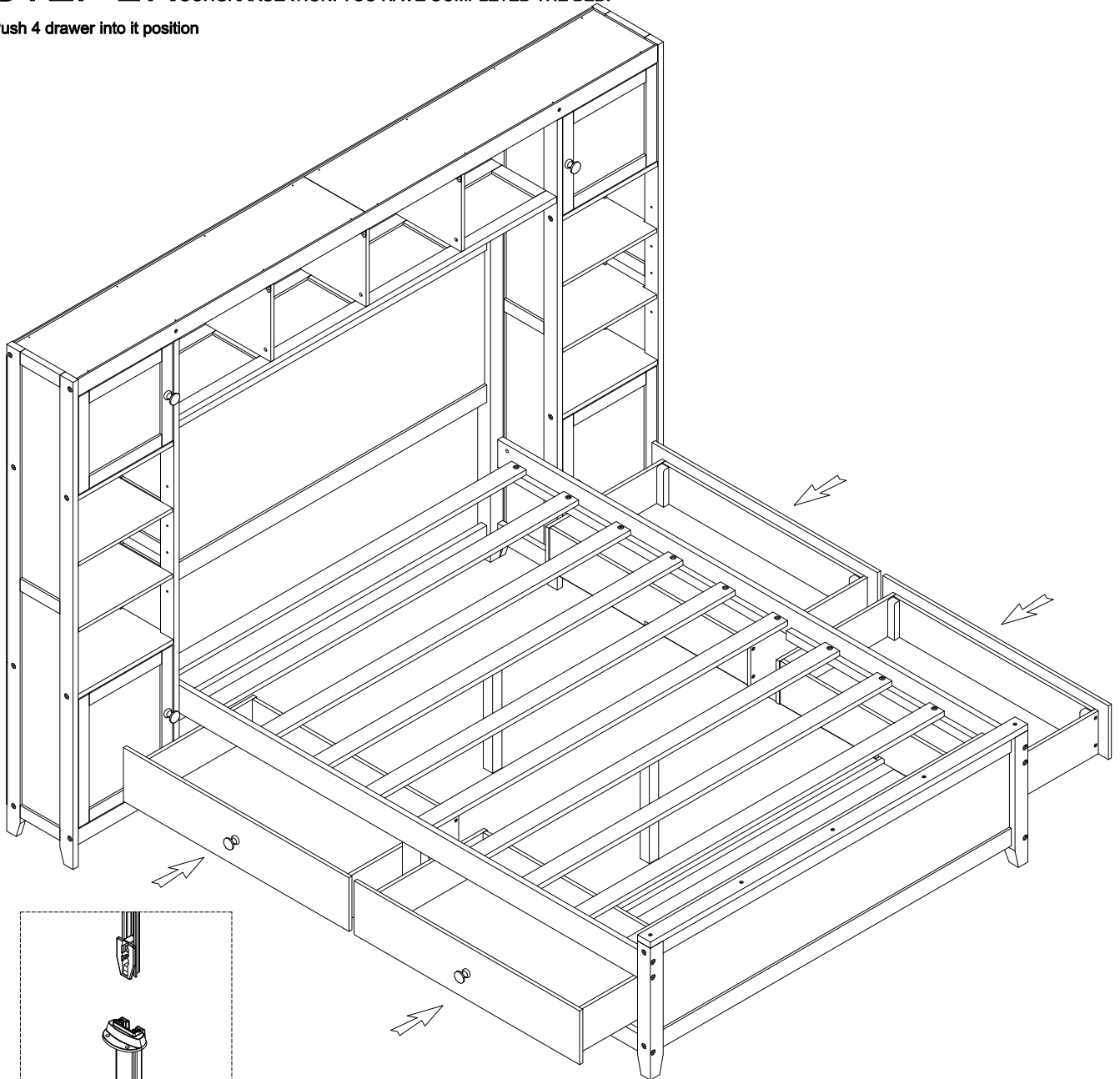
# STEP 9-4:ASSEMBLY DRAWER

20	14
	
4PCS	12PCS



# STEP 27: CONGRARULATION. YOU HAVE COMPLETED THE BED.

Push 4 drawer into it position



**Assemble 2 slide rails  
(Bottom Drawer View)**