

# ASSEMBLY INSTRUCTION

Thank you for purchasing this quality product. Be sure to check all packing material carefully for small parts which may have come loose inside the carton during shipment. Separate, identify and count all parts and hardware. Compare with the parts list to be sure all parts are present.

**IMPORTANT : PLEASE READ INSTRUCTION BEFORE STARTING THE ASSEMBLY.**

**"DO NOT TIGHTEN SCREWS UNTIL COMPLETELY ASSEMBLED"**

**"DO NOT OVERTIGHT ANY HARDWARE"**

**WARNING : SMALL PARTS AND HARDWARE NOT FOR CHILDREN UNDER 3 YEARS. ADULT ASSEMBLY REQUIRED.**

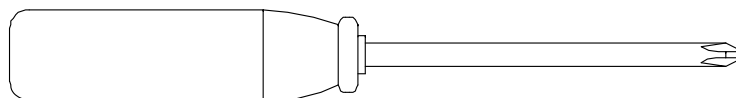
**\*\*WARNING :** This product got power cable at the backside of (1). please make sure it will not be damage during every steps.

## TABLE OF CONTENTS

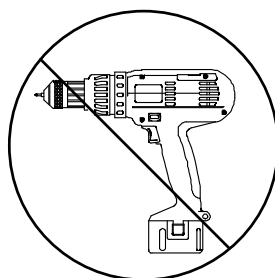
HARDWARES LIST	PAGE 2 - 3
PARTS LIST	PAGE 4
PARTS' LOCATION	PAGE 5
DESCRIPTION	PAGE 6
ASSEMBLY STEPS	PAGE 7 - 9
ASSEMBLY COMPLETED	PAGE 10

## ASSEMBLY TOOLS REQUIRED

### 1. Screwdriver (not provide)

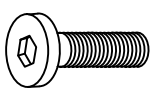
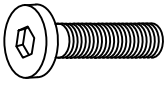
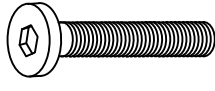
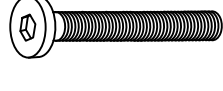
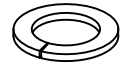
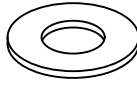
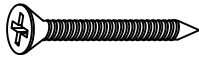




Skip the power drill this time.




# ASSEMBLY INSTRUCTION

## HARDWARES LIST

ITEM	DESCRIPTION	DRAWING	QTY
A	JCBB SCREW M8 x 20MM		8 PCS
B	JCBB SCREW M8 x 25MM		8 PCS
C	JCBB SCREW M8 x 40MM		6 PCS
D	JCBC SCREW M6 x 35MM		4 PCS
E	SPRING WASHER M8 x 14MM		14 PCS
F	SPRING WASHER M8 x 22MM		14 PCS
G	CSK C/B SCREW (M4 x 32MM)		8 PCS
H	M4 ALLEN KEY (65MM)		1 PC
I	M5 ALLEN KEY (65MM)		1 PC

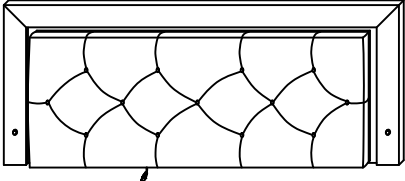


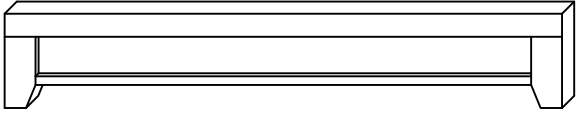
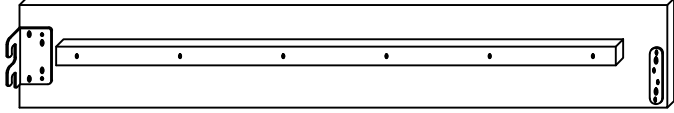
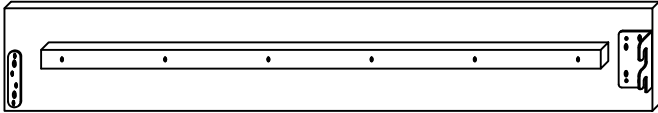
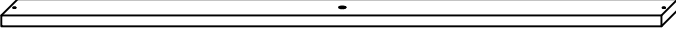
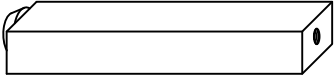
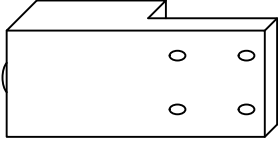
# ASSEMBLY INSTRUCTION

## HARDWARES LIST

ITEM	DESCRIPTION	DRAWING	QTY
J	PLUG WITH CONNECTOR WIRE		1 PC

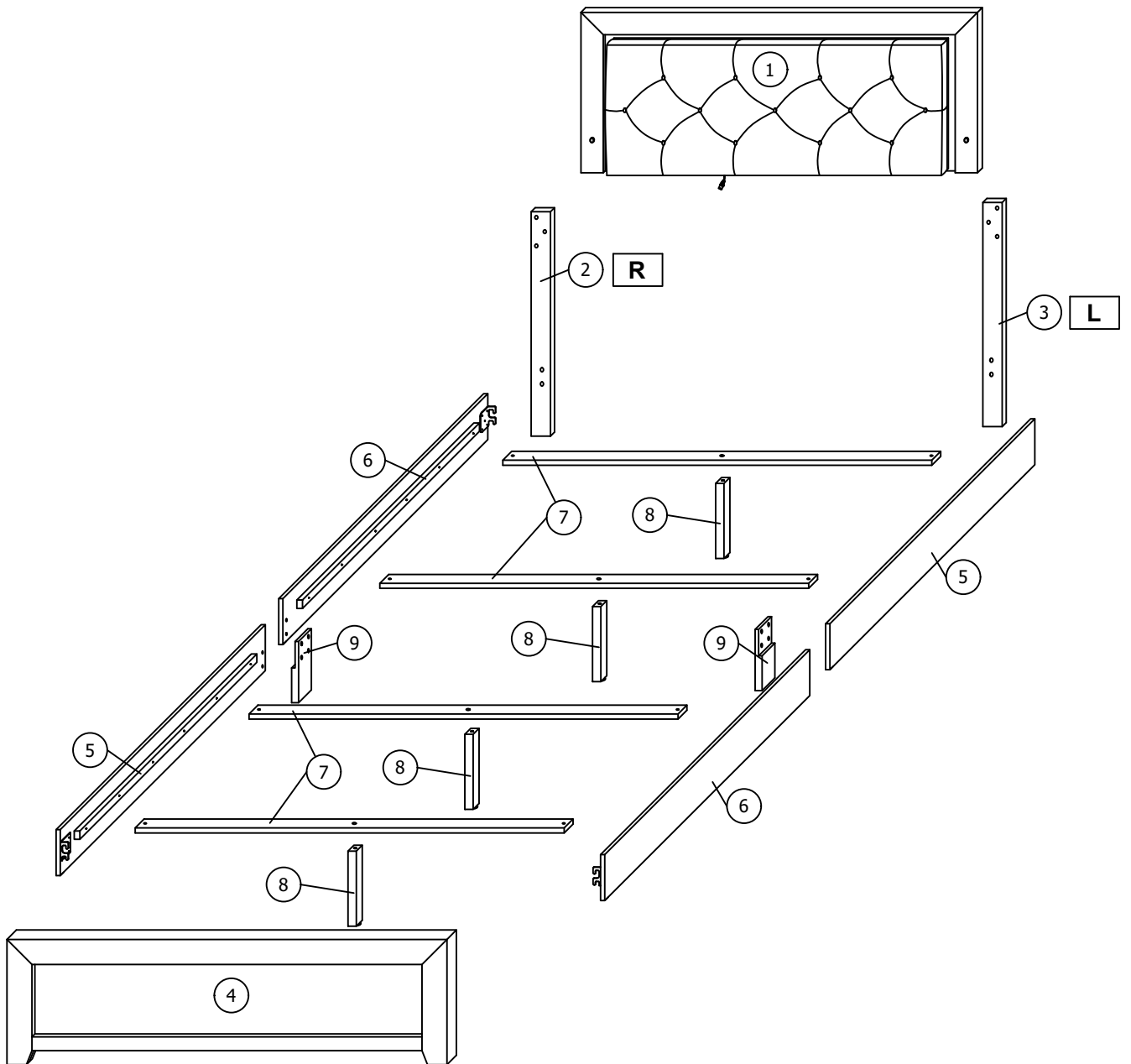
# ASSEMBLY INSTRUCTION

## PARTS LIST

ITEM	DESCRIPTION	DRAWING	QTY
1	HEADBOARD		1 PC
2	HEADBOARD SUPPORT LEG - WITH "FACING TO WALL (R)" STICKER		1 PC
3	HEADBOARD SUPPORT LEG - WITH "FACING TO WALL (L)" STICKER		1 PC
4	FOOTBOARD		1 PC
5	SIDE RAIL (i)		2 PCS
6	SIDE RAIL (ii)		2 PCS
7	SLAT		4 PCS
8	CENTRE SUPPORT LEG		4 PCS
9	SIDE RAIL SUPPORT RAIL		2 PCS

# ASSEMBLY INSTRUCTION

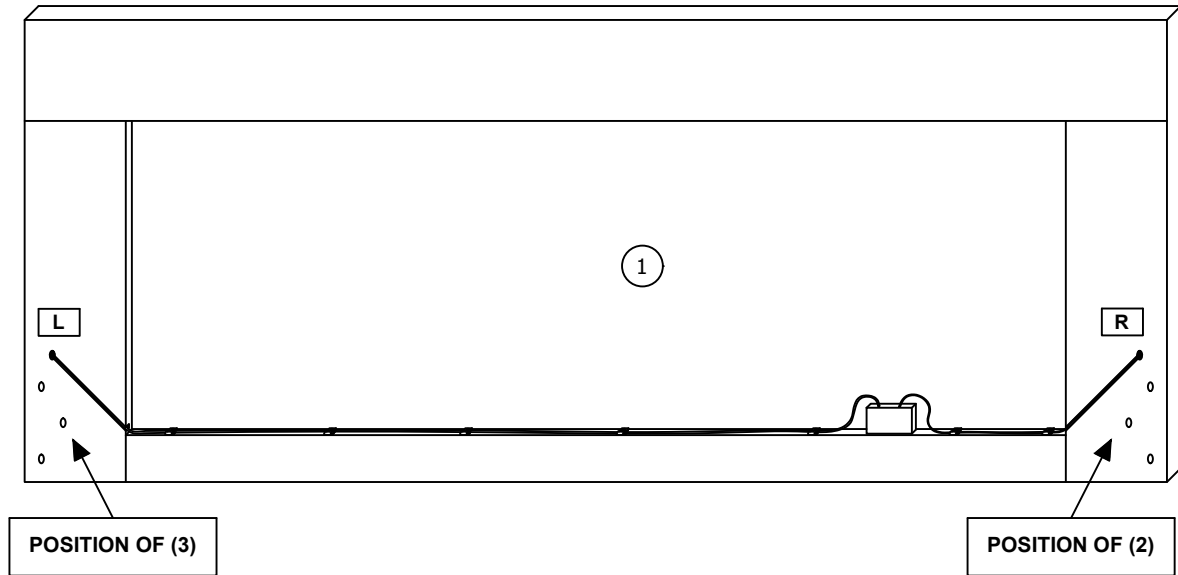
## PARTS ' LOCATION



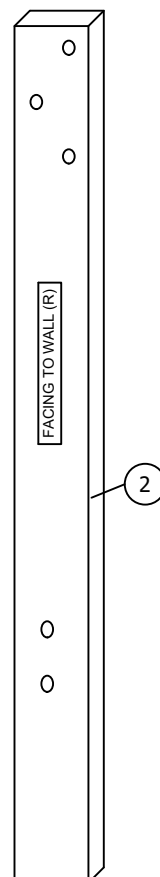
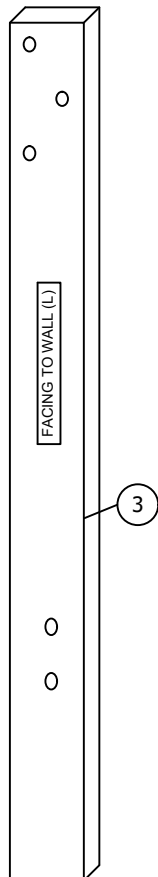
# ASSEMBLY INSTRUCTION

## DESCRIPTION

There are two stickers pre-sticked on backside of (1) which separately marked with L and R .



One side of (2),(3) label the sticker facing to outside during assembly.

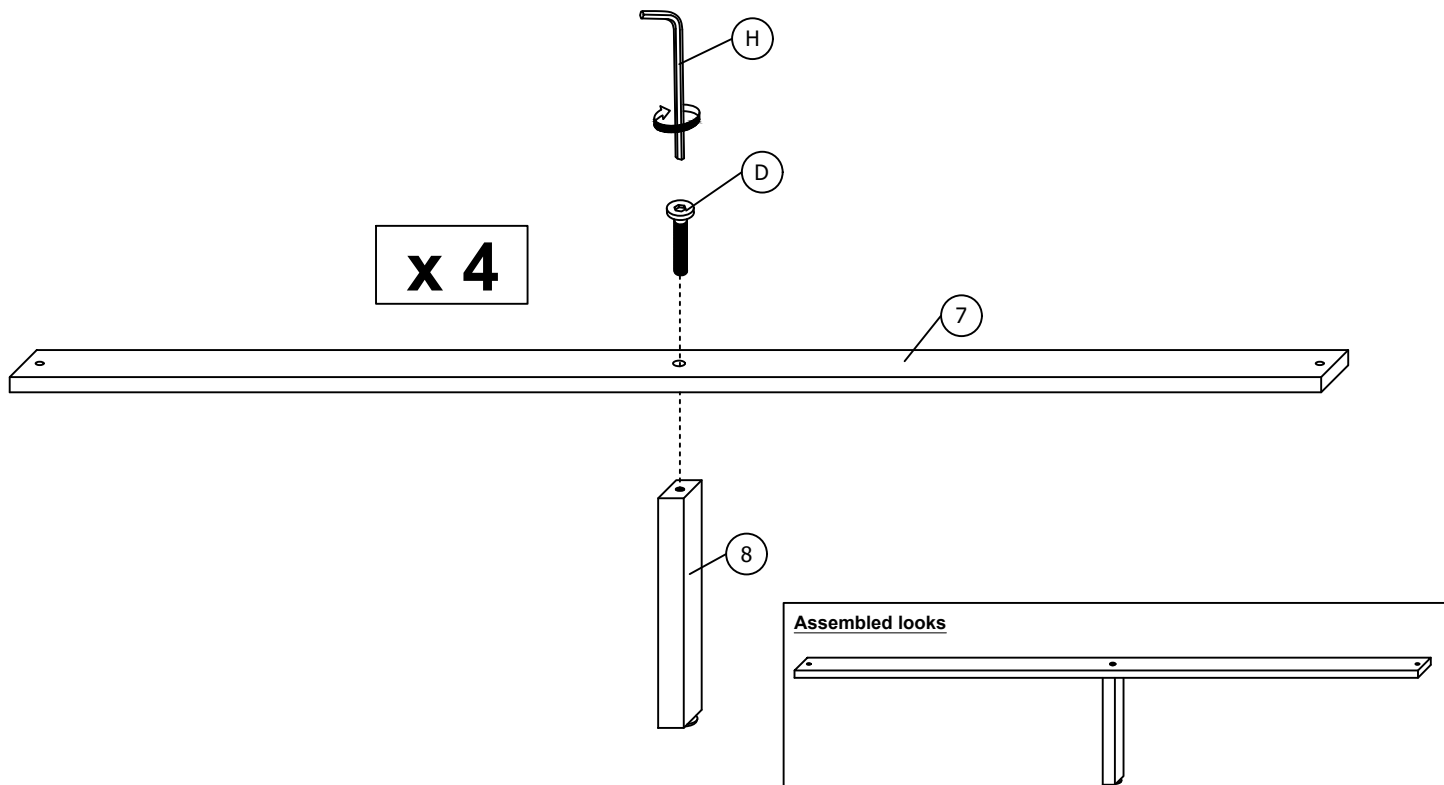


# ASSEMBLY INSTRUCTION

## ASSEMBLY STEPS

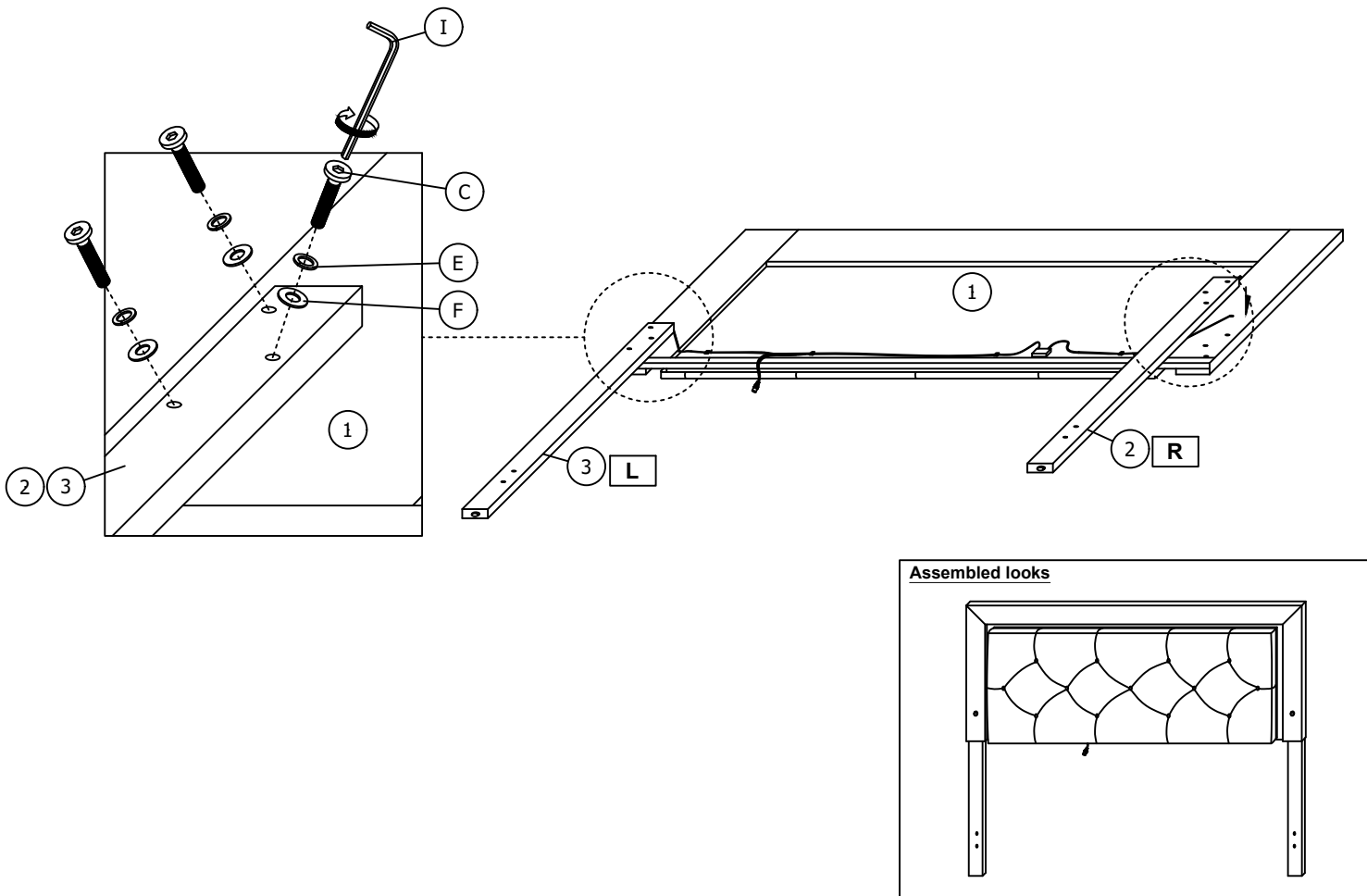
### STEP 1

Insert 1 piece (D) to combine 1 piece (7) and (8) as shown.



### STEP 2

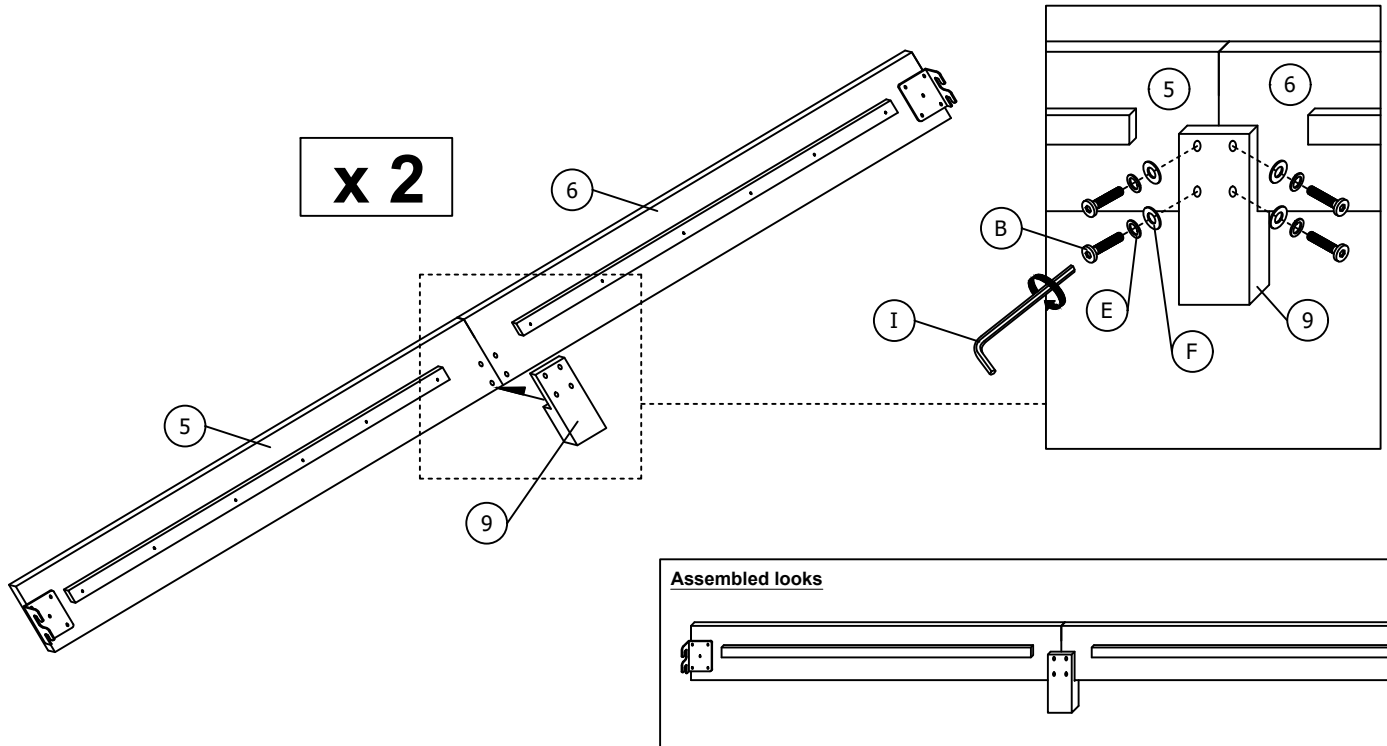
Insert 6 pieces (C),(D) and (E) to combine (2) and (3) to the (1) as shown.



# ASSEMBLY INSTRUCTION

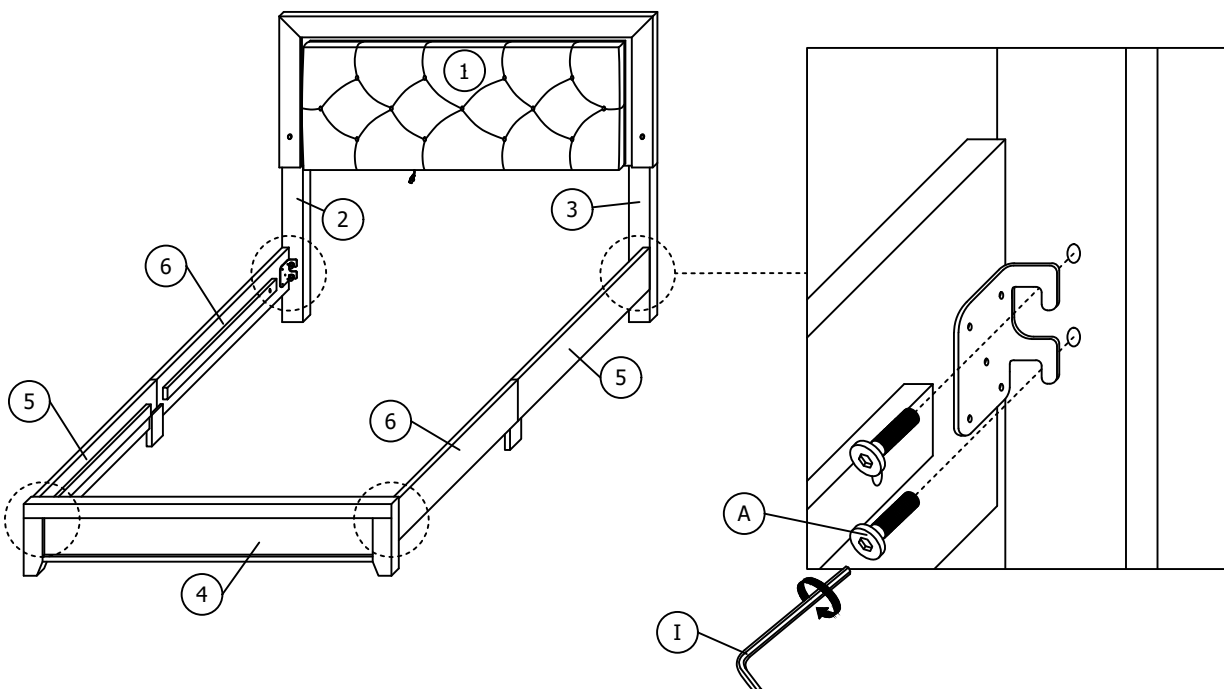
## STEP 3

Insert 4 pieces (B),(E) and (F) to combine (9),(5) and (6) as shown. This step needs to be **done twice**.



## STEP 4

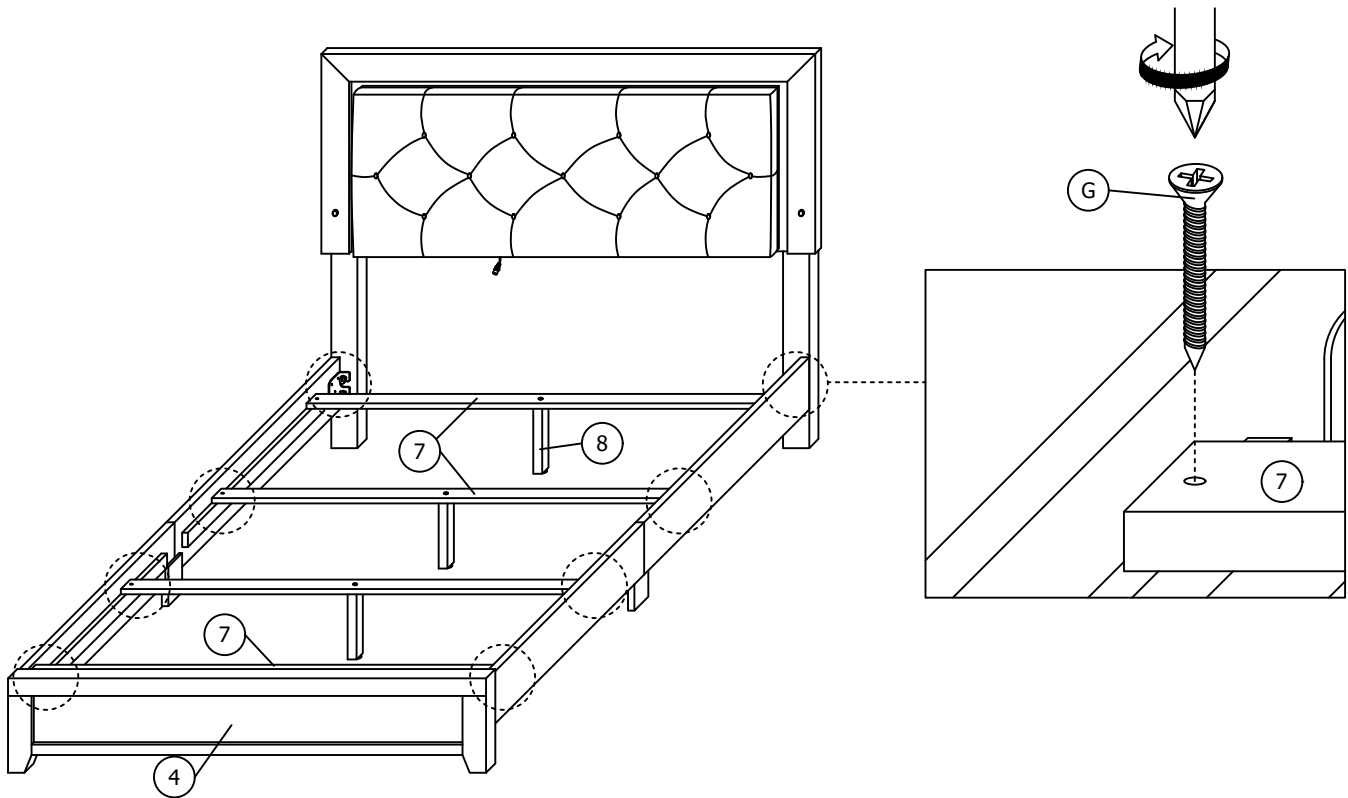
Insert all the 8 pieces (A) to combine (2),(3),(4),(5) and (6) as shown.



# ASSEMBLY INSTRUCTION

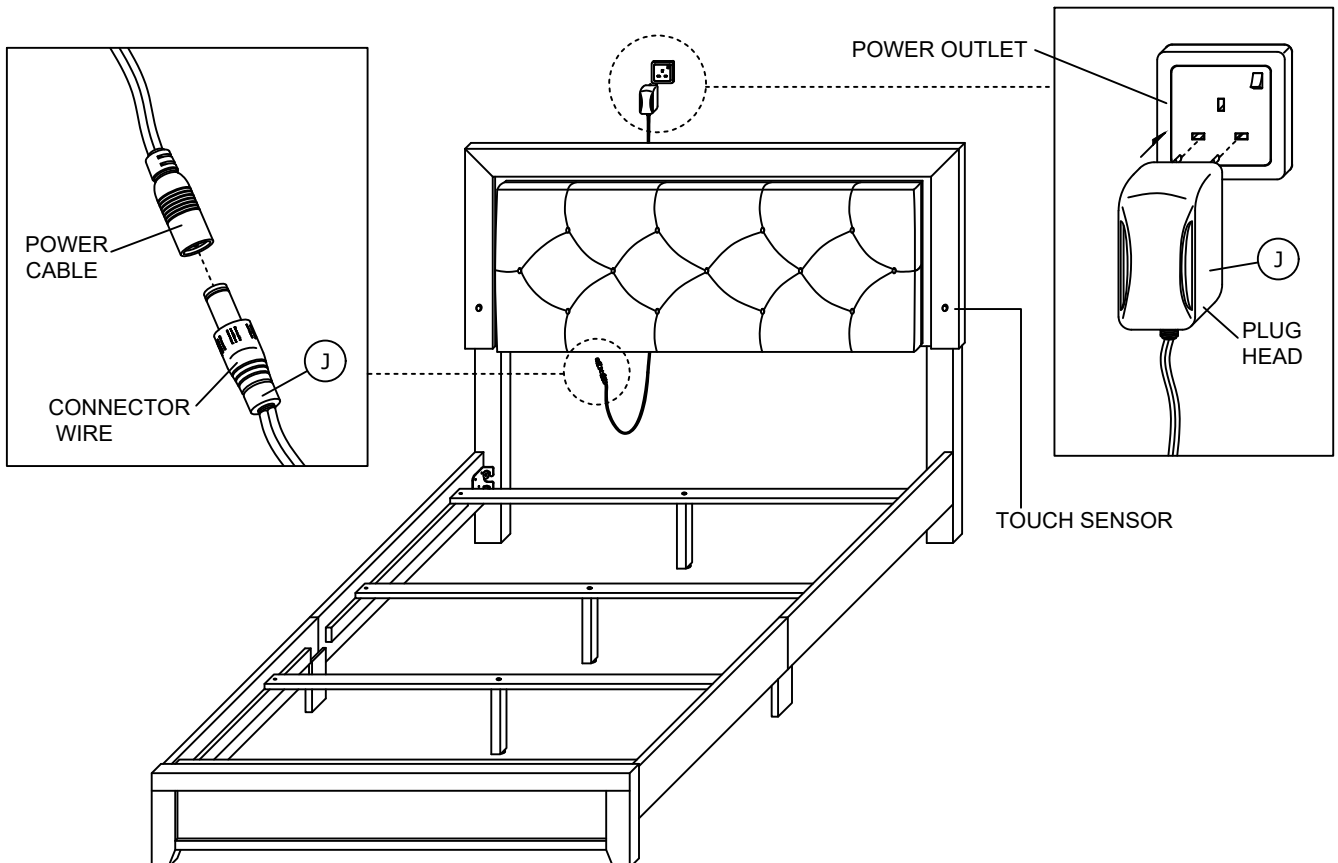
## STEP 5

Insert 8 pieces (G) to fix the (7) on the wood of (5) and (6) as shown.



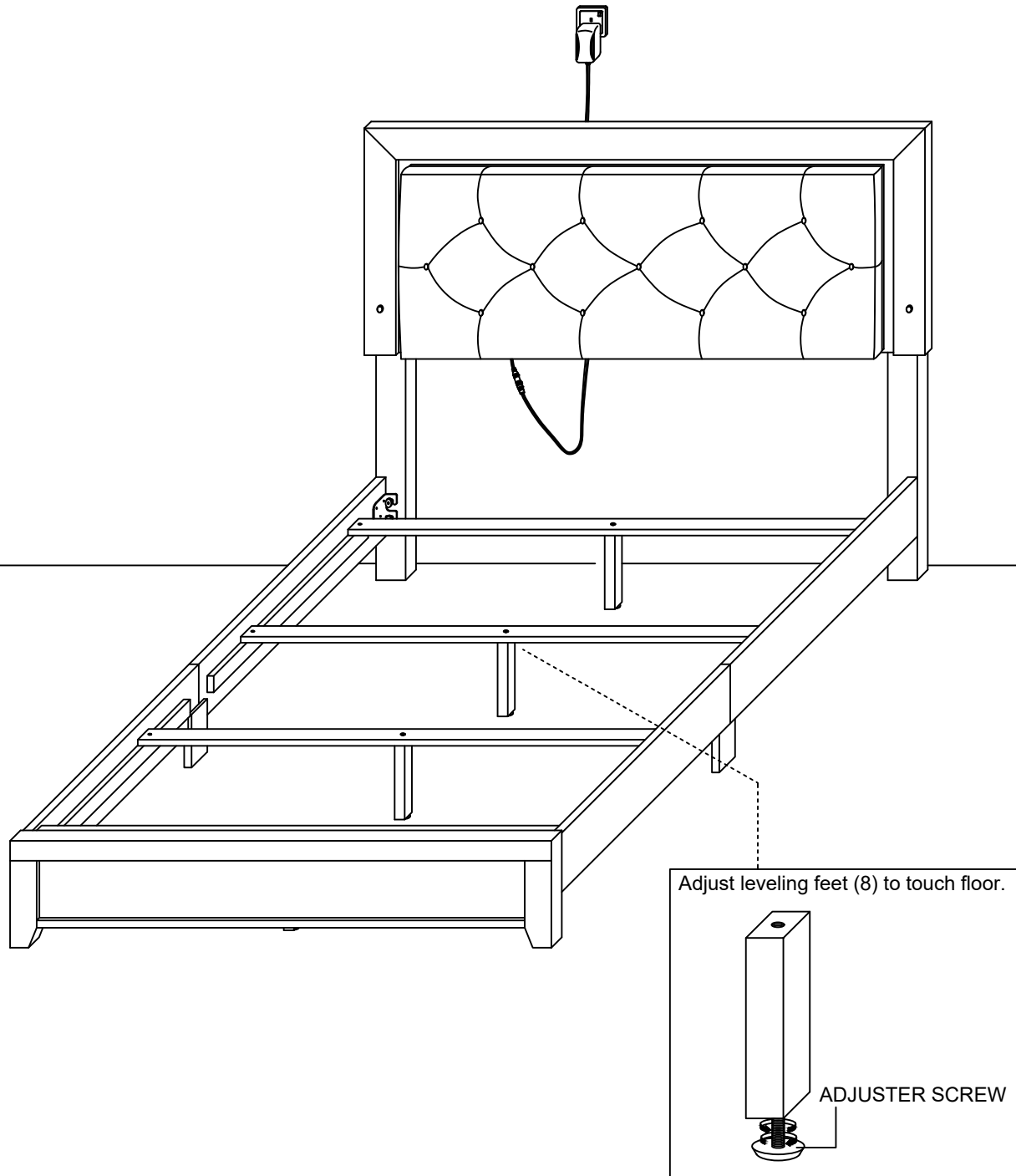
## STEP 6

Combine the connector wire (J) to the power cable, then plug in the plug head (J) to the power outlet as shown.



# ASSEMBLY INSTRUCTION

## STEP 7



**ASSEMBLY COMPLETED**

\*\* FOR ALL MODEL AND ALL SIZE BED

