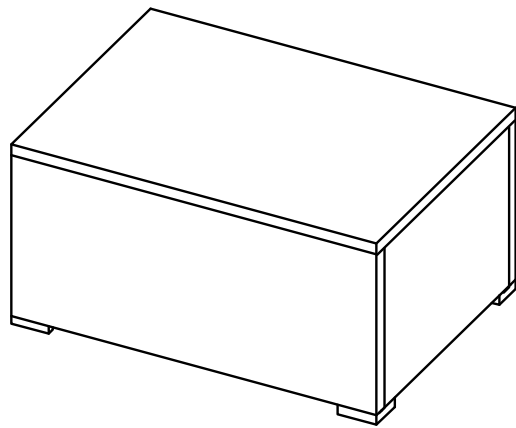
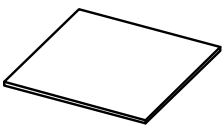
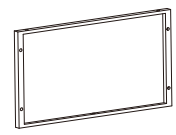
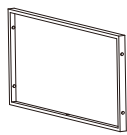


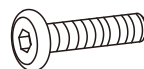
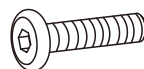



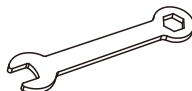

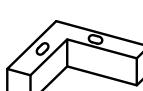
Outdoor Coffee Table



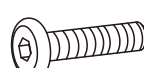
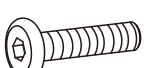



PART LIST

<p>A</p> 	<p>B</p> 	<p>C</p> 
<p>Wicker Top 1 PC</p>	<p>Side Panel 2 PCS</p>	<p>End Panel 2 PCS</p>

HARDWARE LIST

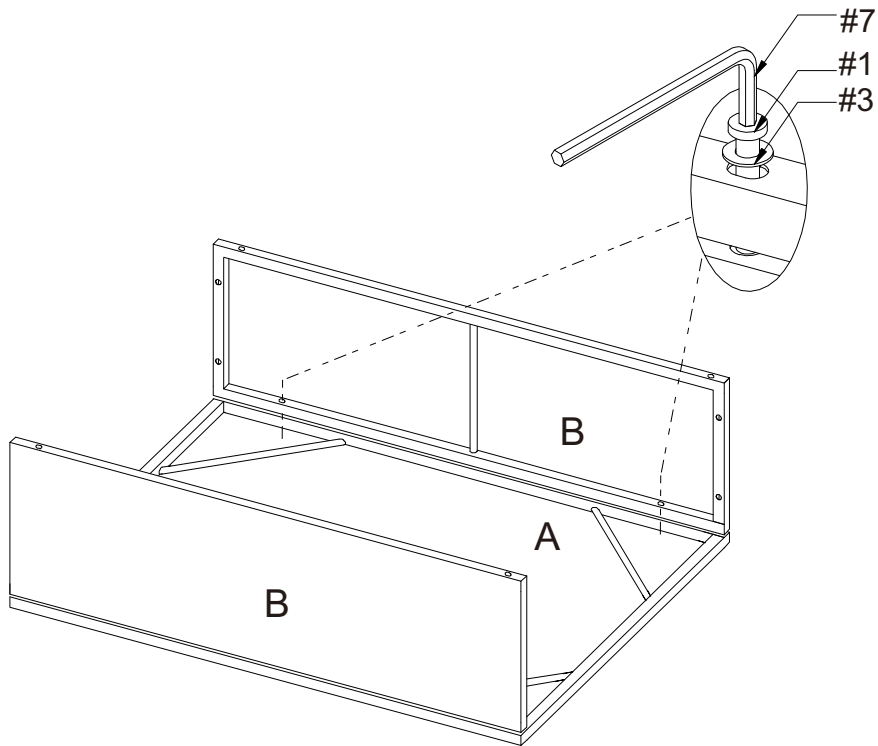
<p>#1</p>  <p>M6*30mm</p>	<p>#2</p>  <p>M6*35mm</p>	<p>#3</p>  <p>D18mm</p>	<p>#4</p>  <p>D12mm</p>	<p>#5</p>  <p>M6mm</p>
<p>Short Bolt 12 PCS</p>	<p>Long Bolt 8 PCS</p>	<p>Washer 12 PCS</p>	<p>Small Washer 8 PCS</p>	<p>Nut 8 PCS</p>
<p>#6</p>  <p>M6mm</p>	<p>#7</p>  <p>M6mm</p>	<p>#8</p> 		
<p>Wrench 1 PC</p>	<p>Allen Key 1 PC</p>	<p>L Foot 4 PCS</p>		

EXTRA HARDWARE LIST

<p>#1</p>  <p>M6*30mm</p>	<p>#2</p>  <p>M6*35mm</p>	<p>#3</p>  <p>D18mm</p>	<p>#4</p>  <p>D12mm</p>	<p>#5</p>  <p>M6mm</p>
<p>Short Bolt 1 PC</p>	<p>Long Bolt 1 PC</p>	<p>Washer 1 PC</p>	<p>Small Washer 1 PC</p>	<p>Nut 1 PC</p>

Step 1. Lay wicker top (part A) on a soft flat surface, such as carpet, as shown below. Attach side panels (part B) to top panel (part A) using short bolts (part #1), washers (part #3) and allen key (part #7).

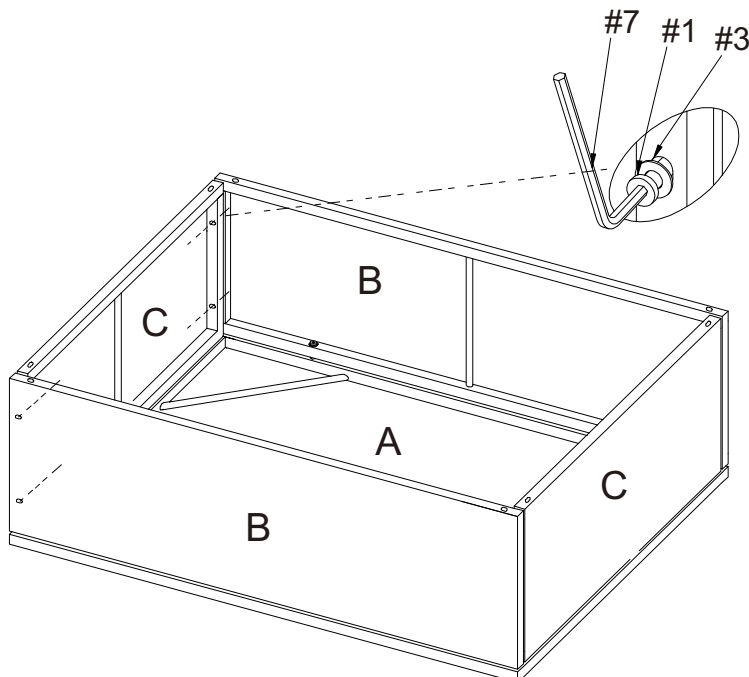
NOTE: Please do not fully tighten bolts until unit is fully assembled.






- | | | |
|----|---|----|
| #1 |  | x4 |
| #3 |  | x4 |
| #7 |  | x1 |

Step 2. Attach end panels (part #C) to assembled unit (parts A&B) using short bolts (part #1), washers (part #3) and allen key (part #7).

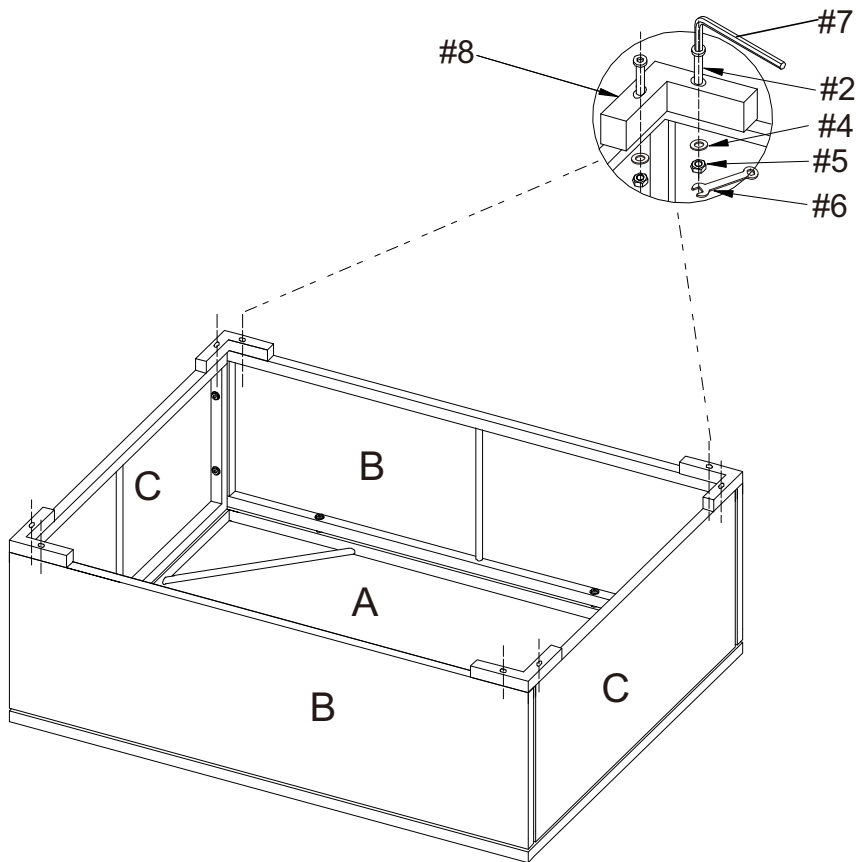
NOTE: Please do not fully tighten bolts until unit is fully assembled.









- | | | |
|----|---|----|
| #1 |  | x8 |
| #3 |  | x8 |
| #7 |  | x1 |

Step 3. Attach L feet (part #8) to assembled unit (parts B&C) using long bolts (part #2),small washers (part #4),nuts (part #5),wrench (part #6) and allen key (part #7).

NOTE: Please fully tighten all bolts at this time.



- | | | |
|----|---|----|
| #2 |  | x8 |
| #4 |  | x8 |
| #7 |  | x1 |
| #8 |  | x4 |
| #5 |  | x8 |
| #6 |  | x1 |

Step 4. Carefully turn the coffee table upright.

