

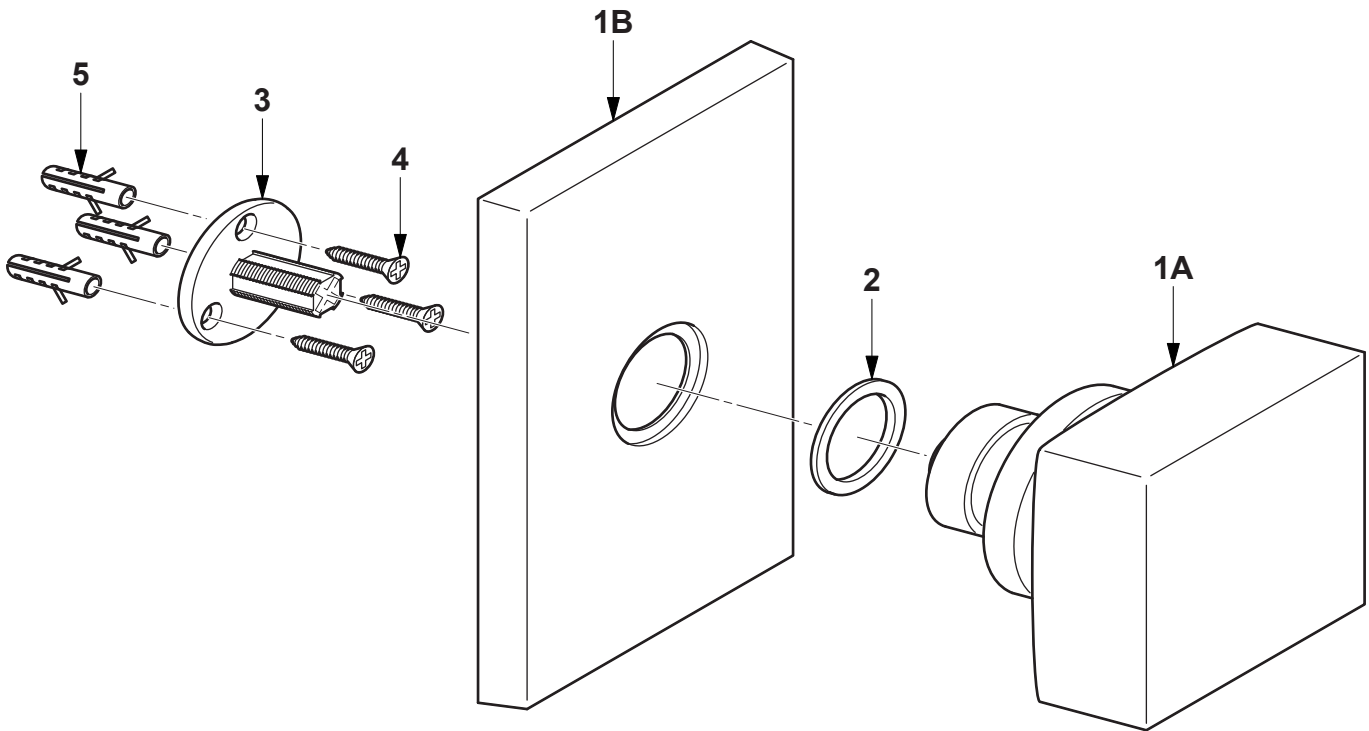
# Dummy Knob Set

## PARTS LIST (each knob)

- 1 Rosette (Qty 1)  
consists of:
  - 1A Knob
  - 1B Faceplate
- 2 Washer (Qty 1)
- 3 Mounting Plate (Qty 1)
- 4 Screw (Qty 3)
- 5 Anchor (Qty 3)

## TOOLS REQUIRED

- Pencil
- Drill, 1/4" bit size
- Hammer
- Phillips Screwdriver
- Hex Key (supplied with kit)



# 1

**NOTE:** Dummy Knobs are intended for installation on doors with a thickness of 1" minimum.

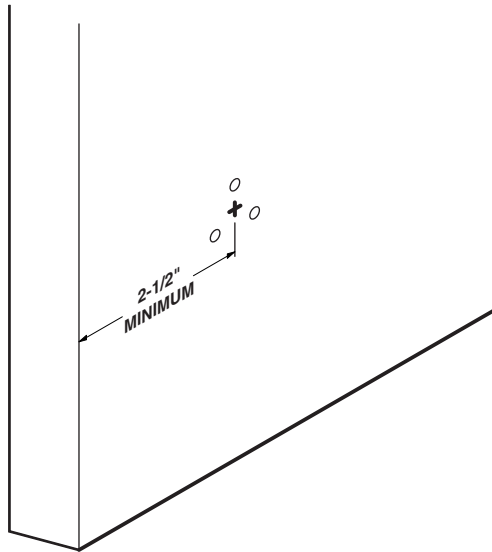
Lay parts out on a protective surface to prevent damage. Inventory parts against the Parts List. Make sure all parts are present before proceeding.

### California Proposition 65 Warning

This product may contain chemicals known to the state of California to cause cancer and birth defects or other reproductive harm.

For more information: [www.P65Warnings.ca.gov](http://www.P65Warnings.ca.gov)

# 2

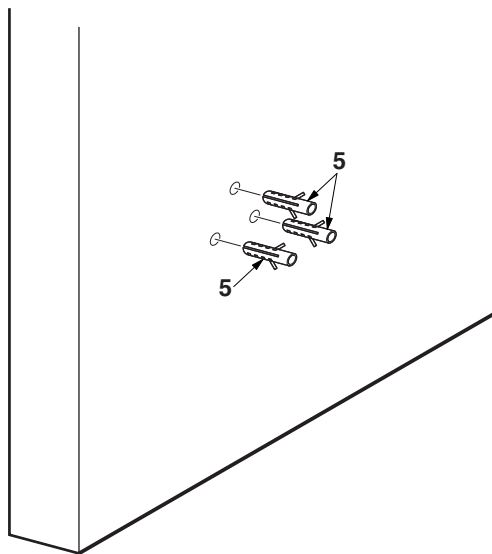


**NOTE:** When selecting a mounting location for the knob, **BE SURE** the center of mounting plate (3) is a minimum of 2-1/2" from the outside edge of the door.

Hold mounting plate (3) in the desired position, and mark the locations for three mounting holes on the door.

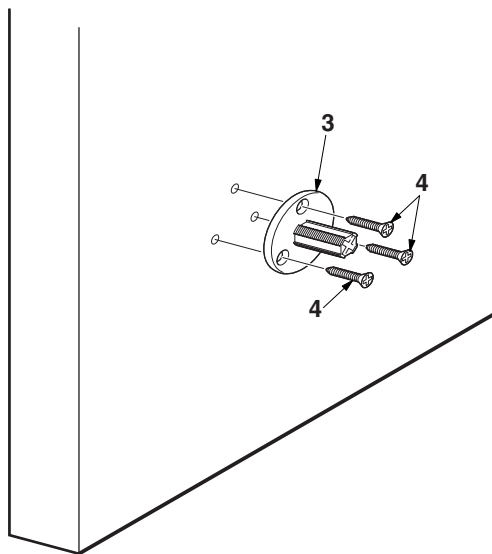
Drill three 1/8" diameter holes in the door, approximately 13/16" deep.

# 3

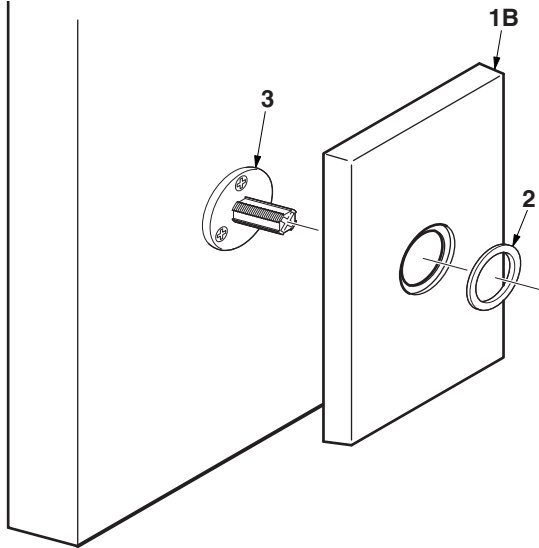


Insert anchors (5) into mounting holes. Lightly tap each anchor with a hammer, if needed, until anchor is flush with the surface of the door.

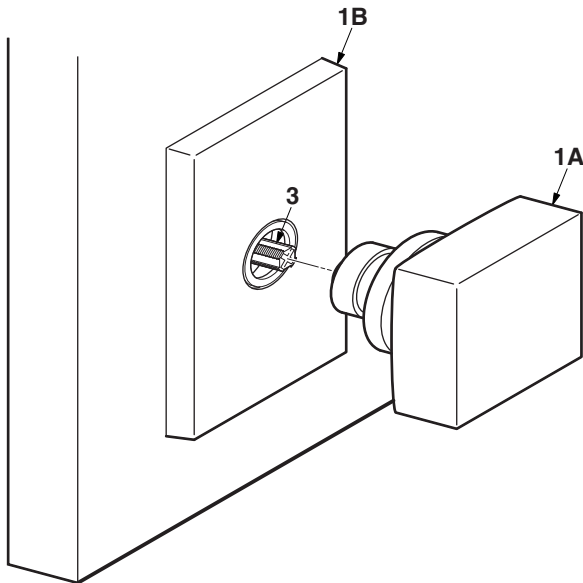
# 4



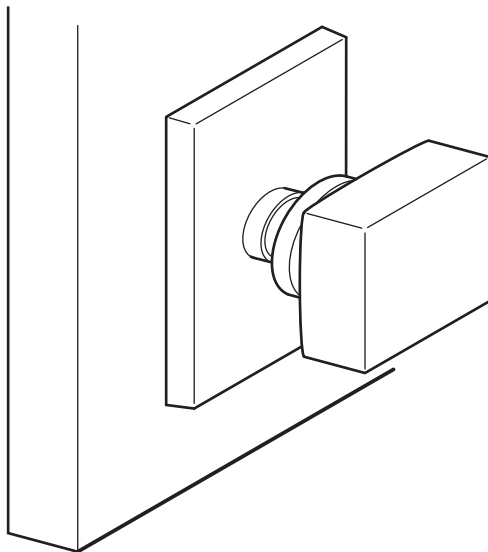
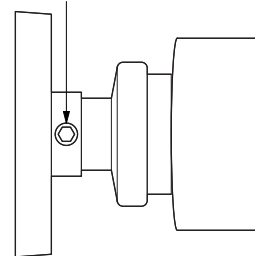
Hold mounting plate (3) in position on the door, and secure in place with three screws (4). Tighten screws securely.

**5**

Install washer (2) on front of faceplate (1B). Hold faceplate (1B) with washer (2) in position on door, over mounting plate (3).

**6**

While holding faceplate (1B) in position, thread knob (1A) onto mounting plate (3), and turn clockwise to tighten. Tighten knob fully.

**7****SETSCREW**

If necessary, loosen knob (1A) by turning counterclockwise up to 1/2 turn, until knob is properly positioned, and setscrew is at top or bottom of knob.

Tighten the setscrew firmly using the hex key (provided).