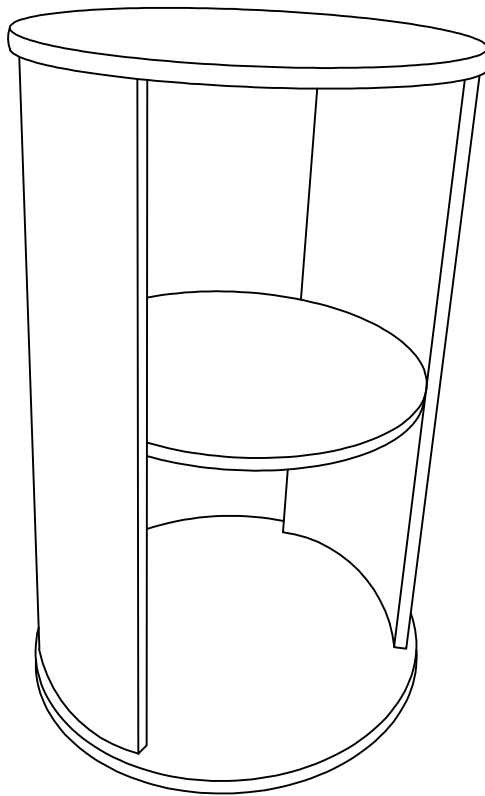


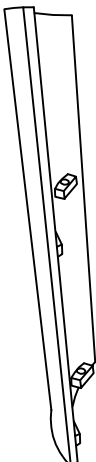

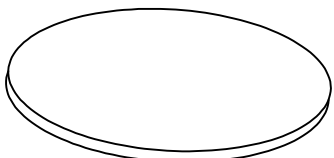
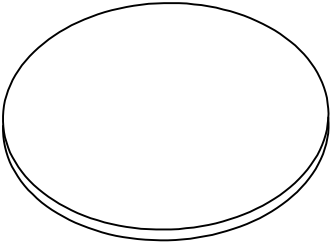
ASSEMBLY INSTRUCTIONS




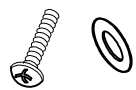

NOTE TO CUSTOMERS:

- For ease and speed of assembly we recommend that before you commence each step of the assembly that you identify all the parts required to complete that step.
- We recommend that where possible you allow sufficient space to assemble the item as close as possible to the place where it will be once assembled.
- For the protection of your furniture we recommend that the product is placed on protected surfaces during assembly to prevent any damage.
- During assembly do not over tighten, as this may damage the product.
- Please ensure you retain all the product packaging until the item completely assembled.
- Please periodically check all fittings and re-tighten as necessary.
- It is recommended that this item should be assembled by two adults.

Part List

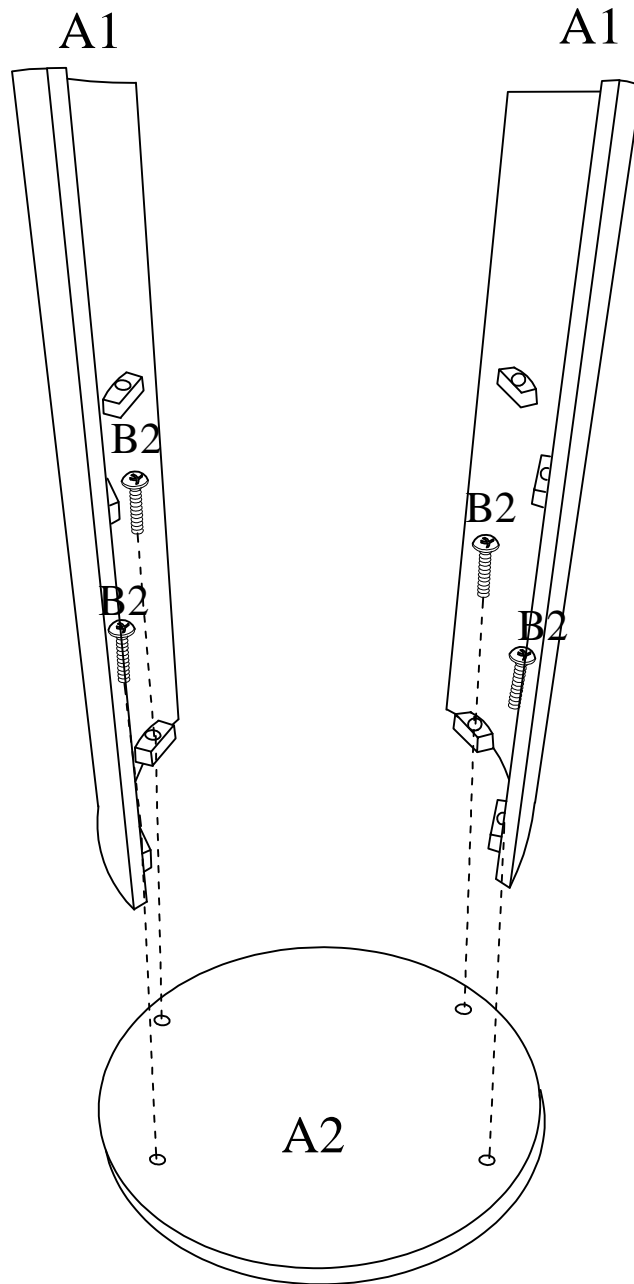
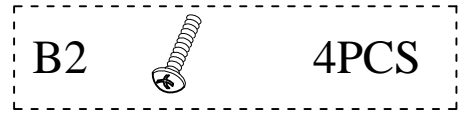
<p>A1 Quantity of 2</p>  <p>Side Panel</p>	<p>A2 Quantity of 1</p>  <p>Top Panel</p>	<p>A3 Quantity of 1</p>  <p>Shelf</p>
<p>A1 Quantity of 1</p>  <p>Bottom Panel</p>		

Hardware List

<p>B1 Quantity of 4</p>  <p>Screw</p>	<p>B2 Quantity of 8</p>  <p>Bolt with washer</p>	 <p>Allen Wrench</p>	
---	--	--	--

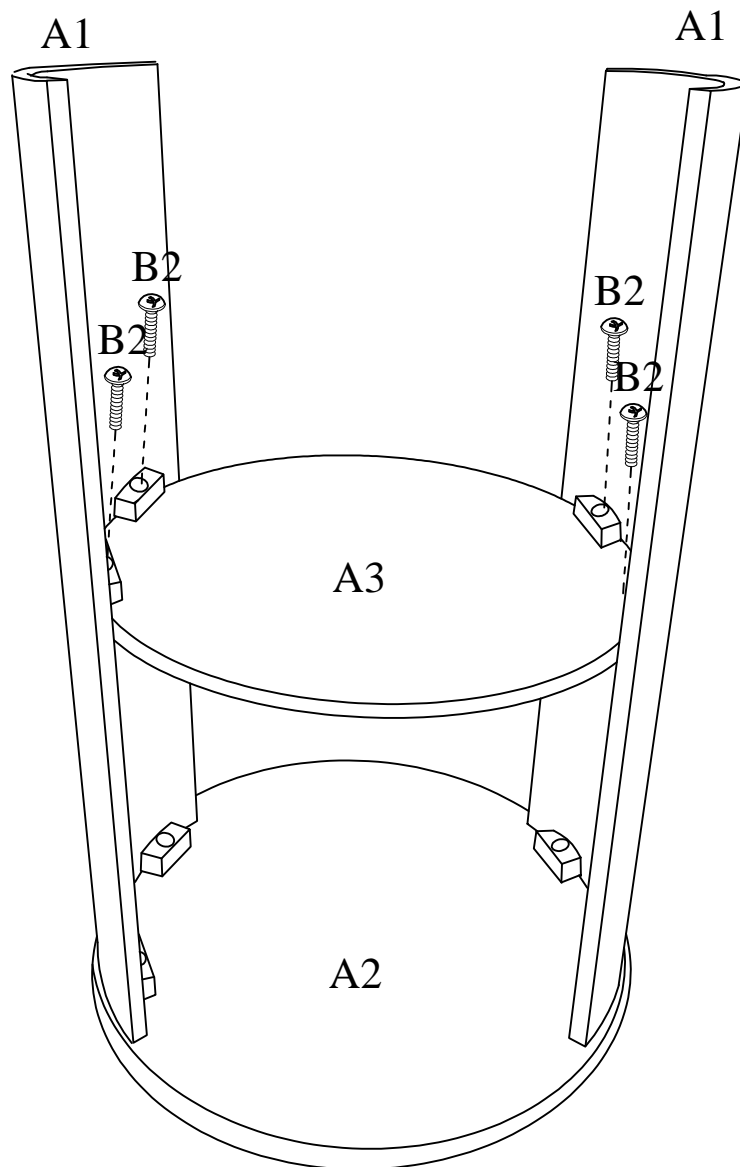
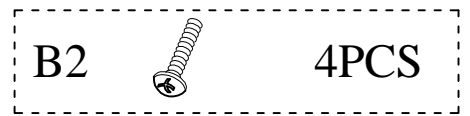
Assembly instructions

Step 1



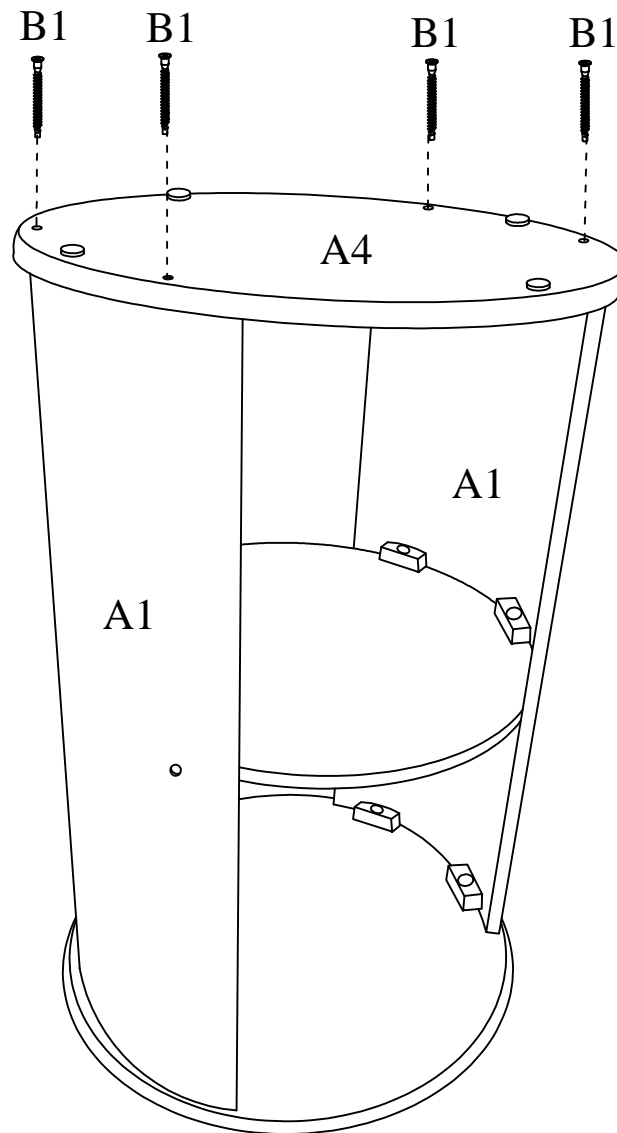
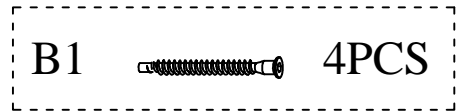
Assemble Side Panels A1 to the bottom of Top Panel A2 using Screws B2 as shown above.

Step 2



Assemble Shelf A3 to Side Panels A1 using Screws B2 as shown above.

Step 3



Assemble Bottom Panel A4 to Side Panels A1 using Screws B3 as shown above. Do not fully tighten screws until all of them are attached.