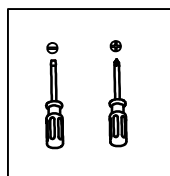
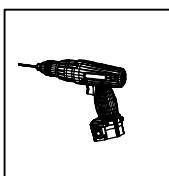
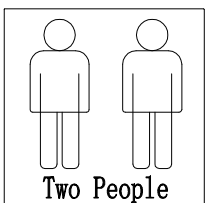
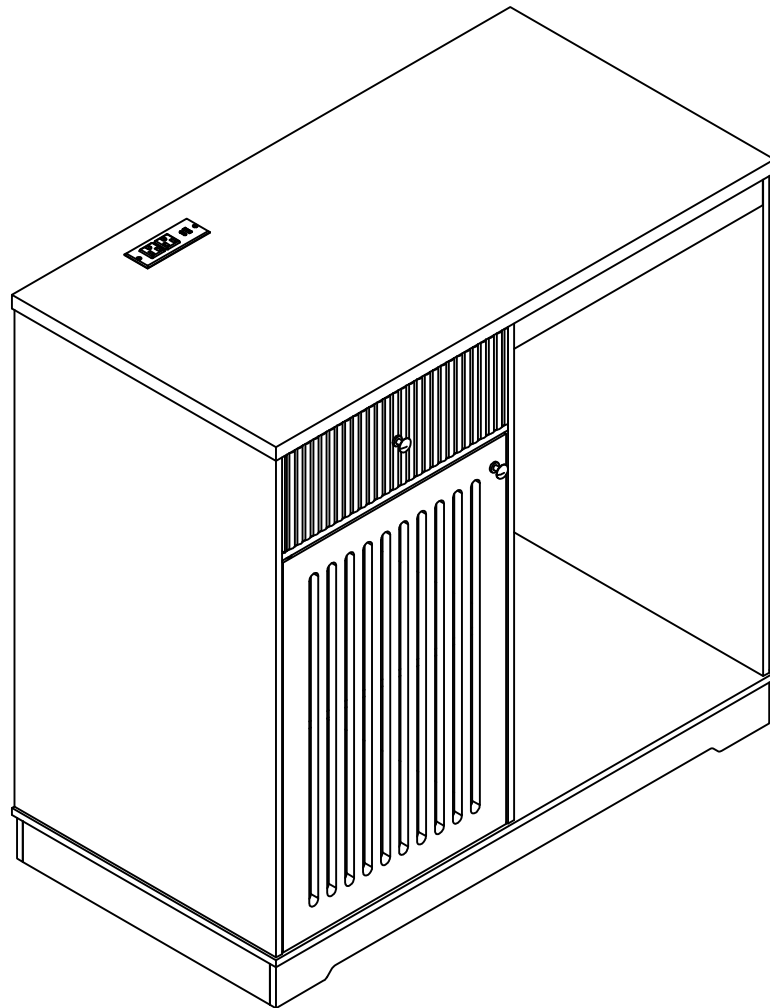
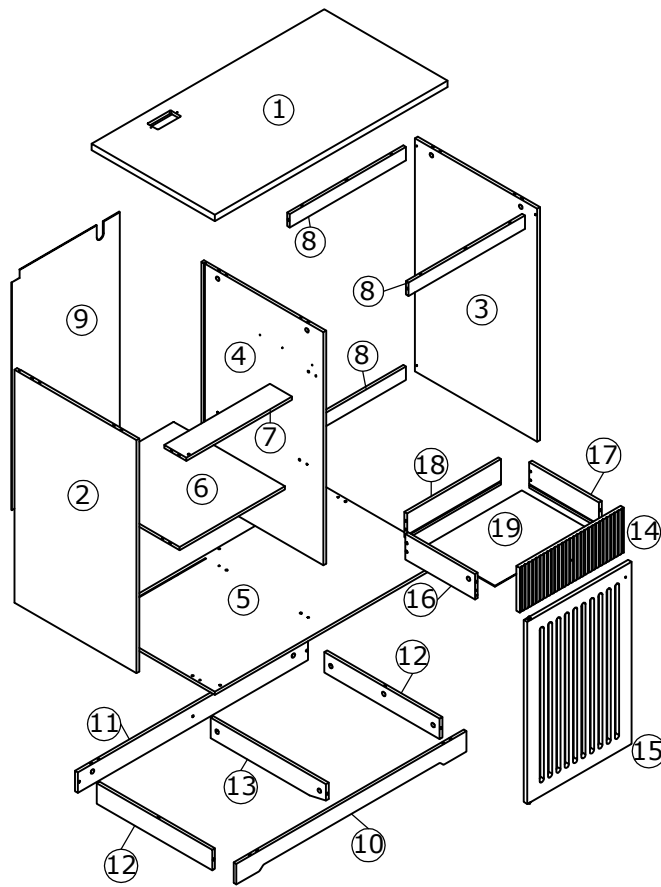
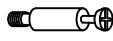



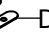



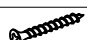
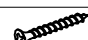


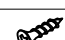

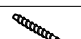






Wine Cabinet

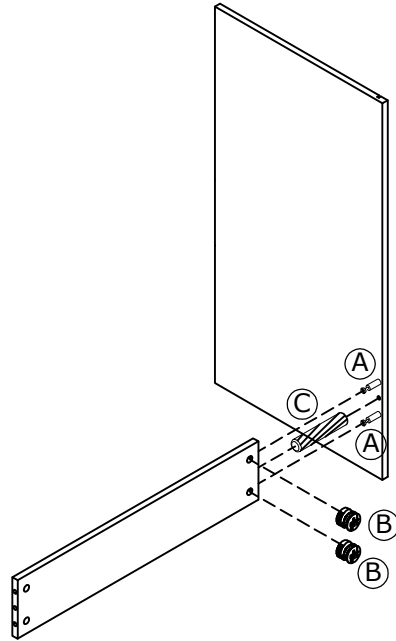




Parts Include

(A) x35  Ø6x27mm	(B) x35  Ø15x9.5mm	(C) x35  Ø6x30mm	(D) x1 D-1  D-2  45*15*14mm	(E) x17  Ø3.5x12mm	(F) x2  Ø27x21mm
(G) x2  Ø4x22mm	(H) x4  Ø4x30mm	(I) x8  Ø3x18mm	(J) x8  15*13*10mm	(K) x1 	(L) x2  Ø4x14mm
(M) x1  65x32x15mm	(N) x6  Ø6x48mm	(O) x1  L=300mm	(P) x1  L=450mm	(Q) x1 	(R) x2 

1 ▷

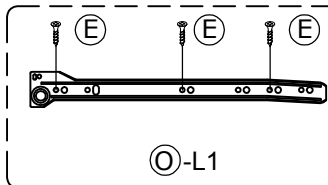


Installation Tips

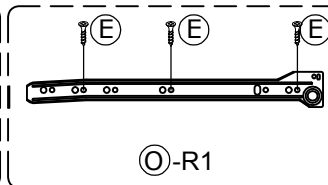
During assembly, C (Wooden Dowels), A (Cam Screws), and B (Cam Lock Nuts) are used to connect the boards

Please follow the manual carefully to identify which holes are designated for C (Wooden Dowels) and which are for A (Cam Screws)

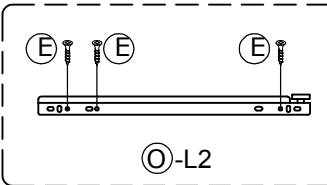
A (Cam Screws) and B (Cam Lock Nuts) work together to secure the parts. Please tighten B clockwise to lock



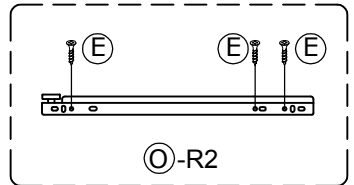
⊙-L1



⊙-R1



⊙-L2



⊙-R2

⊙- L1

Left Outer Slide:
Installed on the left inner wall of the cabinet

⊙- R1

Right Outer Slide:
Installed on the right inner wall of the cabinet

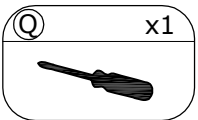
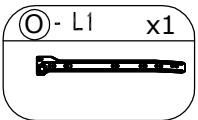
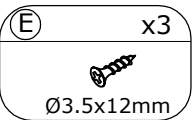
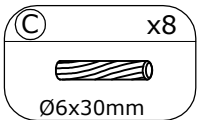
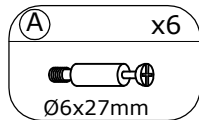
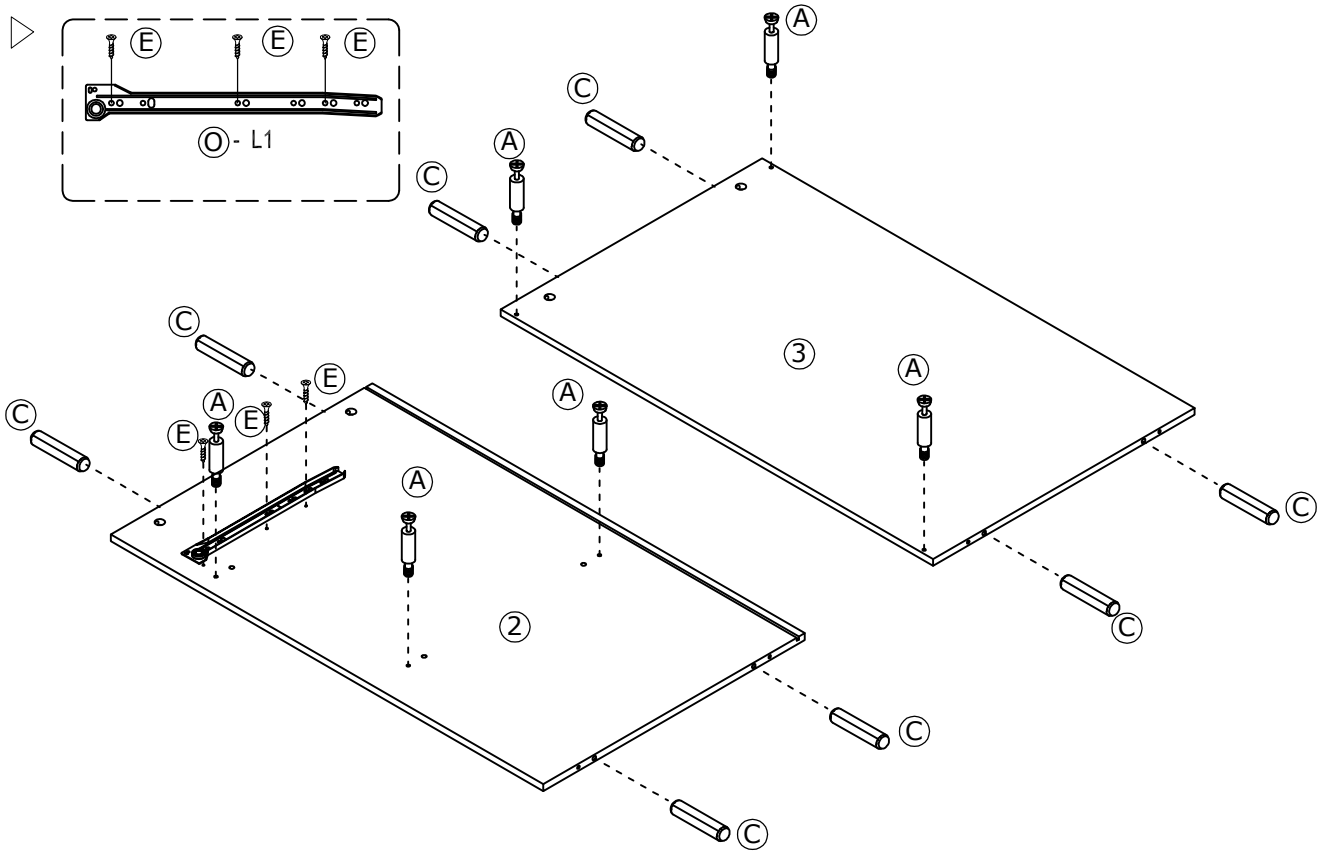
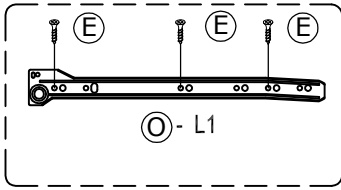
⊙- L2

Left Inner Slide:
Installed on the left side of the drawer

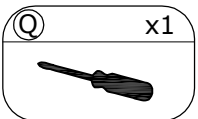
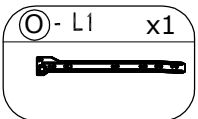
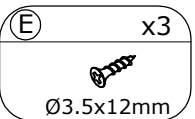
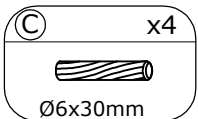
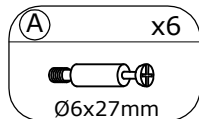
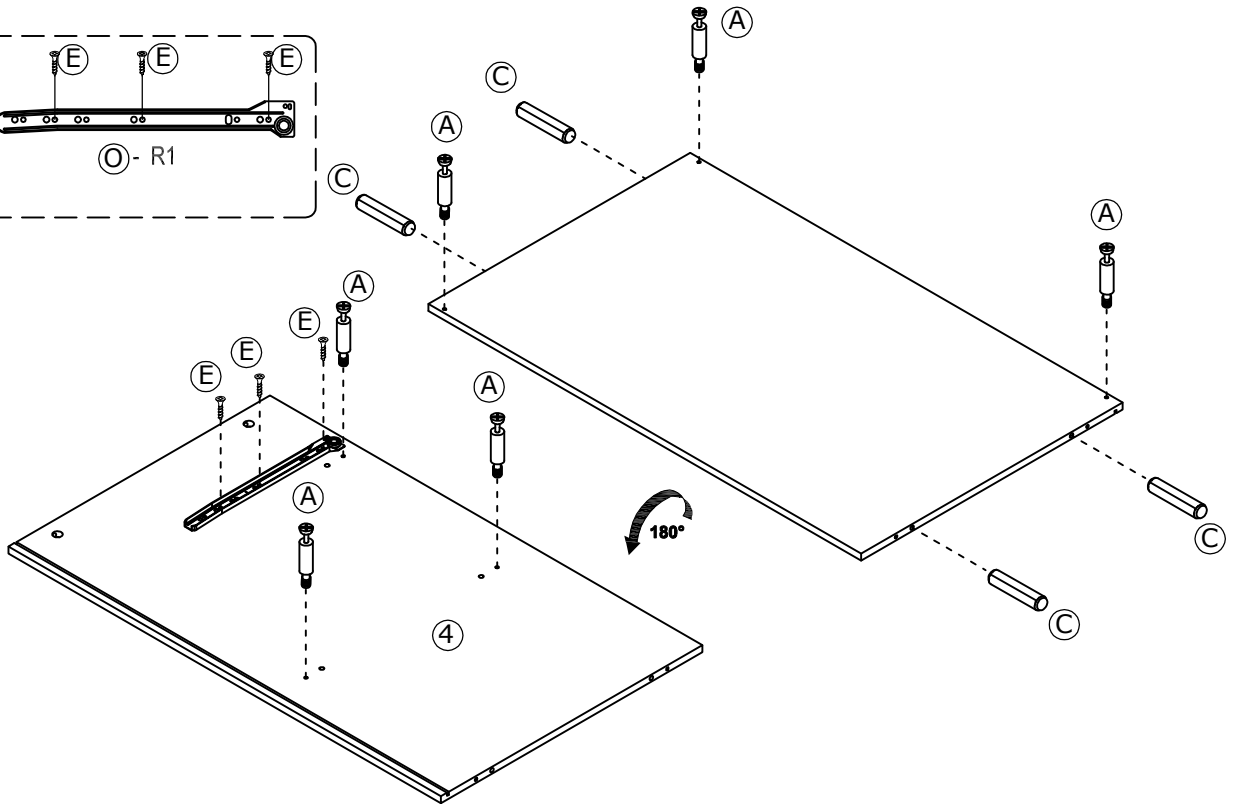
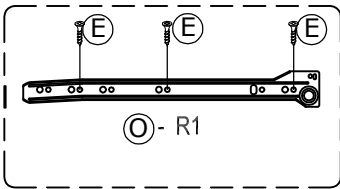
⊙- R2

Right Inner Slide:
Installed on the right side of the drawer

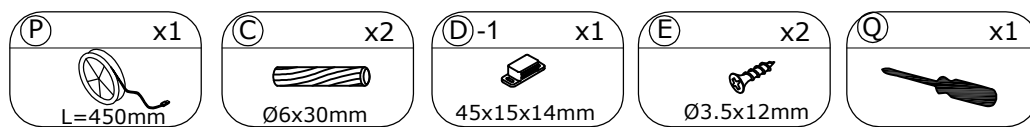
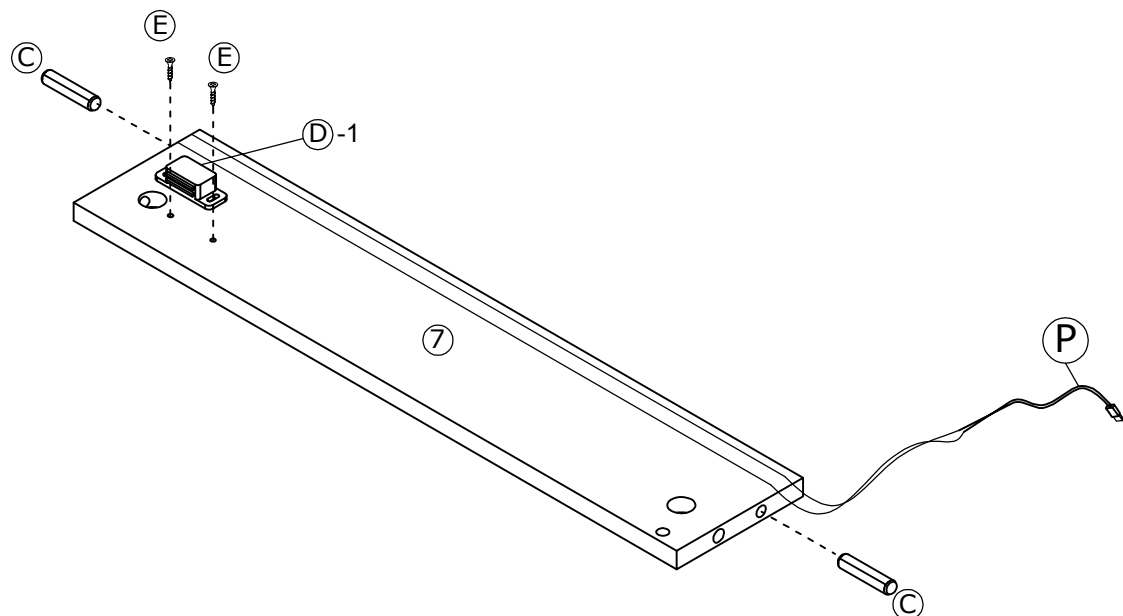
2 ▶



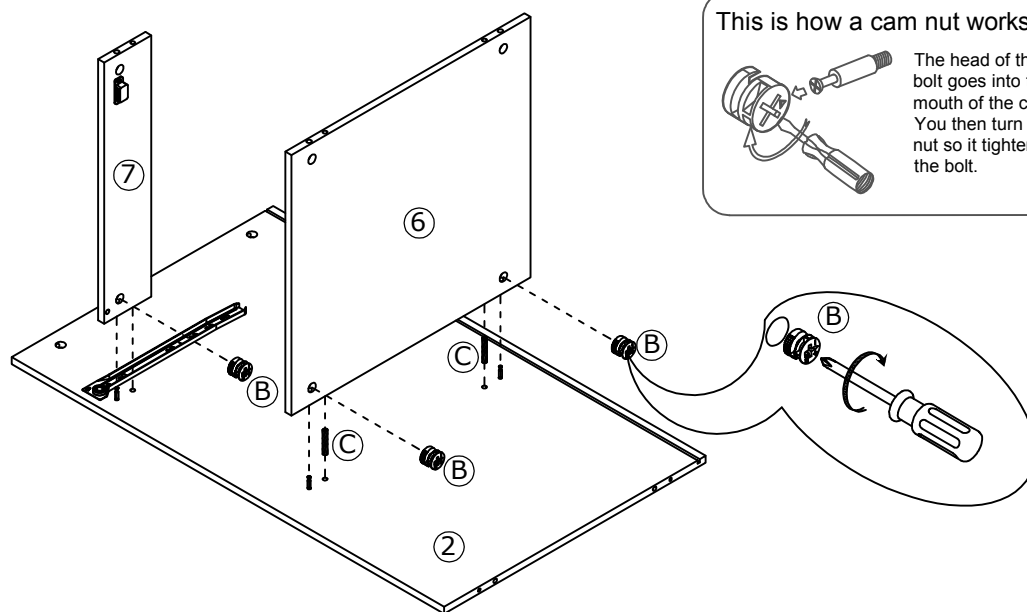
3 ▶



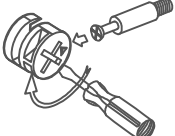
4 ▷



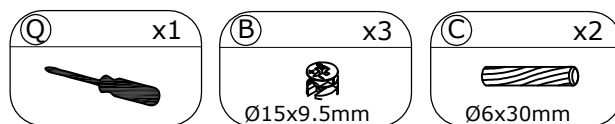
5 ▷



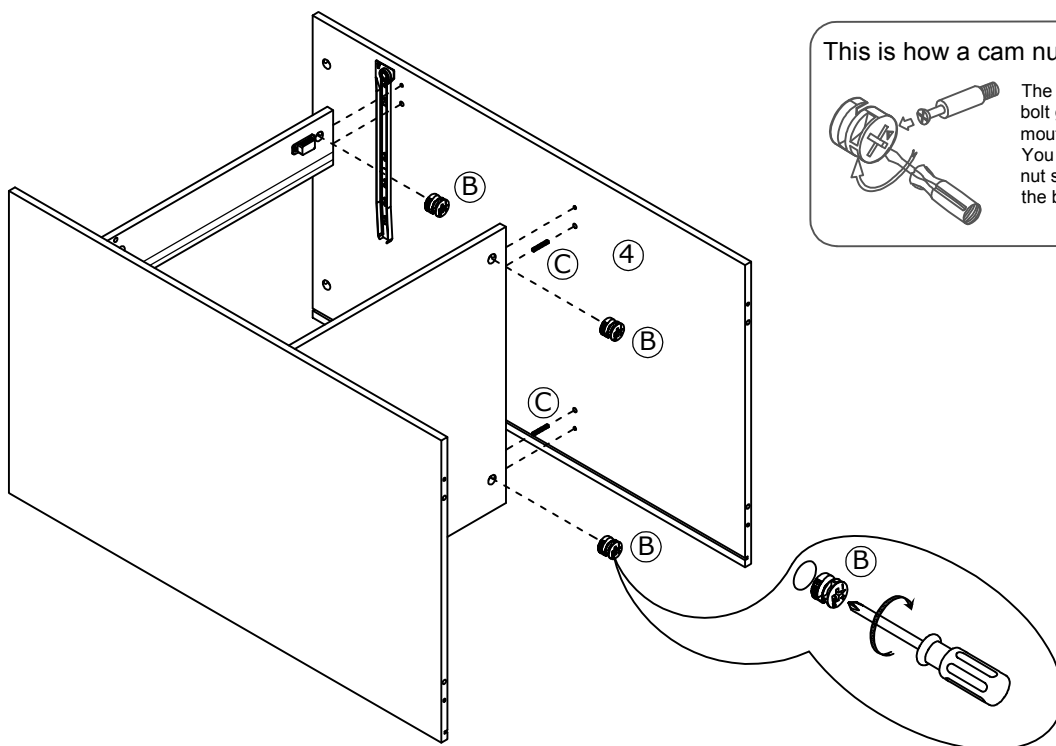
This is how a cam nut works.....



The head of the cam bolt goes into the open mouth of the cam nut. You then turn the cam nut so it tightens over the bolt.



6 ▷

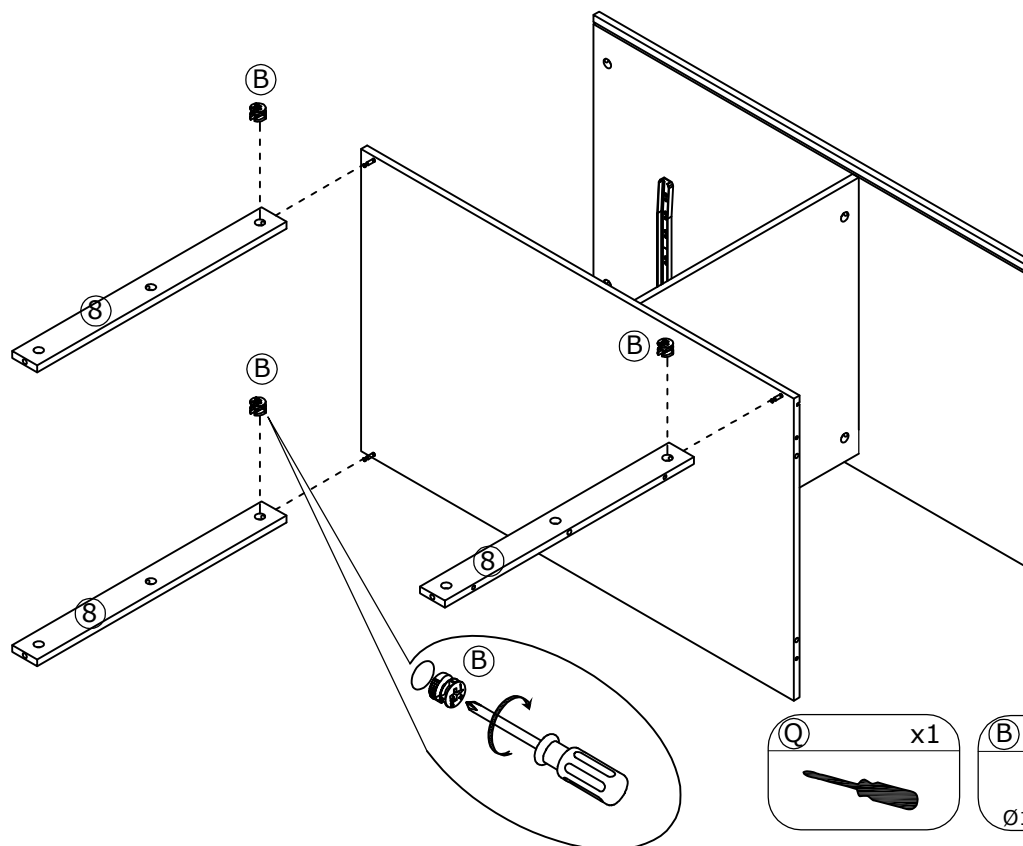


This is how a cam nut works.....

The head of the cam bolt goes into the open mouth of the cam nut. You then turn the cam nut so it tightens over the bolt.

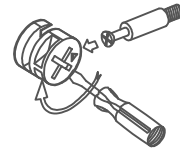
- | | | | | | |
|---|----|-----------|----|---------|----|
| Q | x1 | B | x3 | C | x2 |
| | | | | | |
| | | Ø15x9.5mm | | Ø6x30mm | |

7 ▷

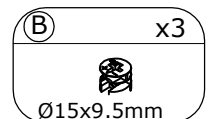
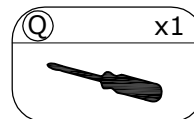
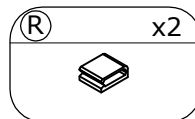
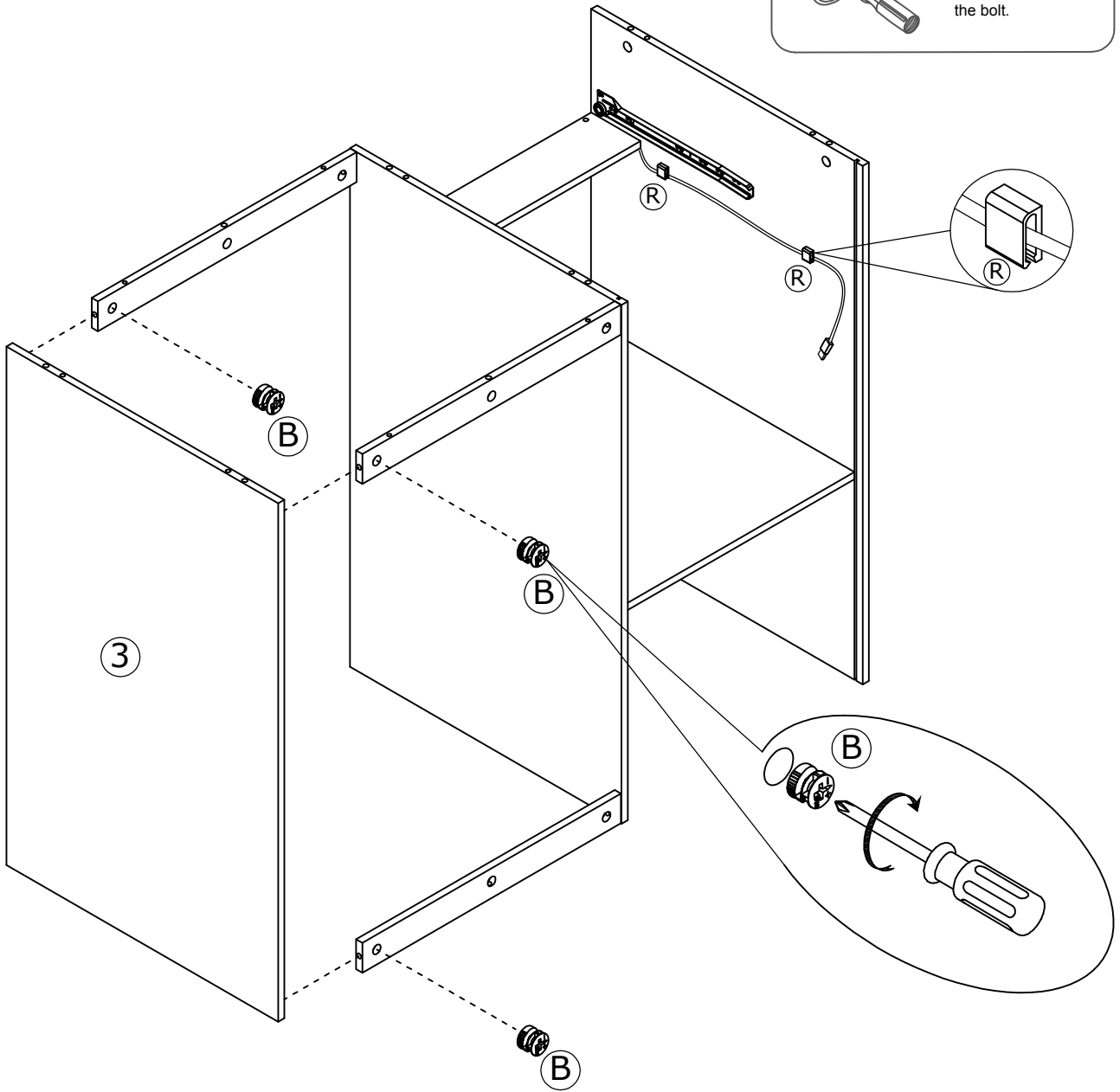


- | | | | |
|---|----|-----------|----|
| Q | x1 | B | x3 |
| | | | |
| | | Ø15x9.5mm | |

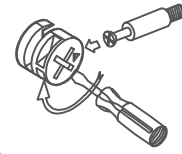
This is how a cam nut works.....



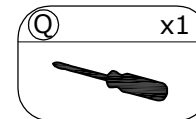
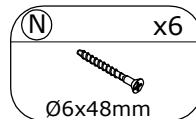
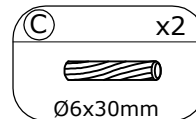
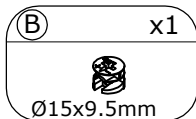
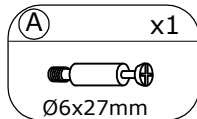
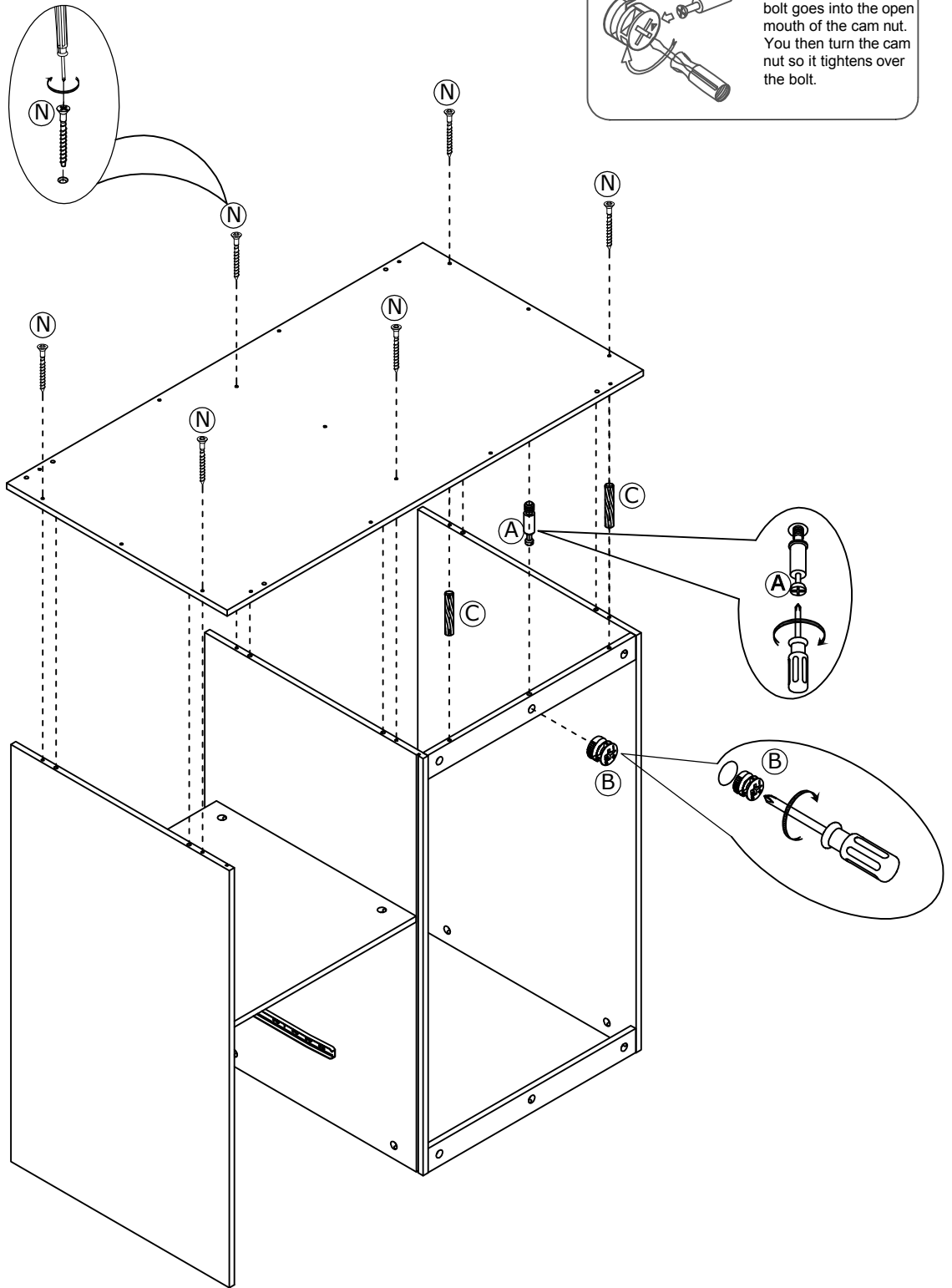
The head of the cam bolt goes into the open mouth of the cam nut. You then turn the cam nut so it tightens over the bolt.



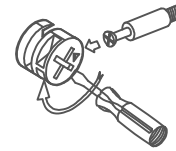
This is how a cam nut works.....



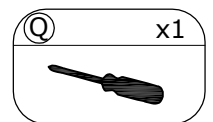
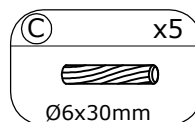
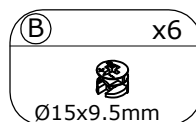
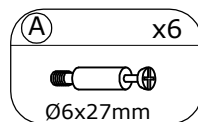
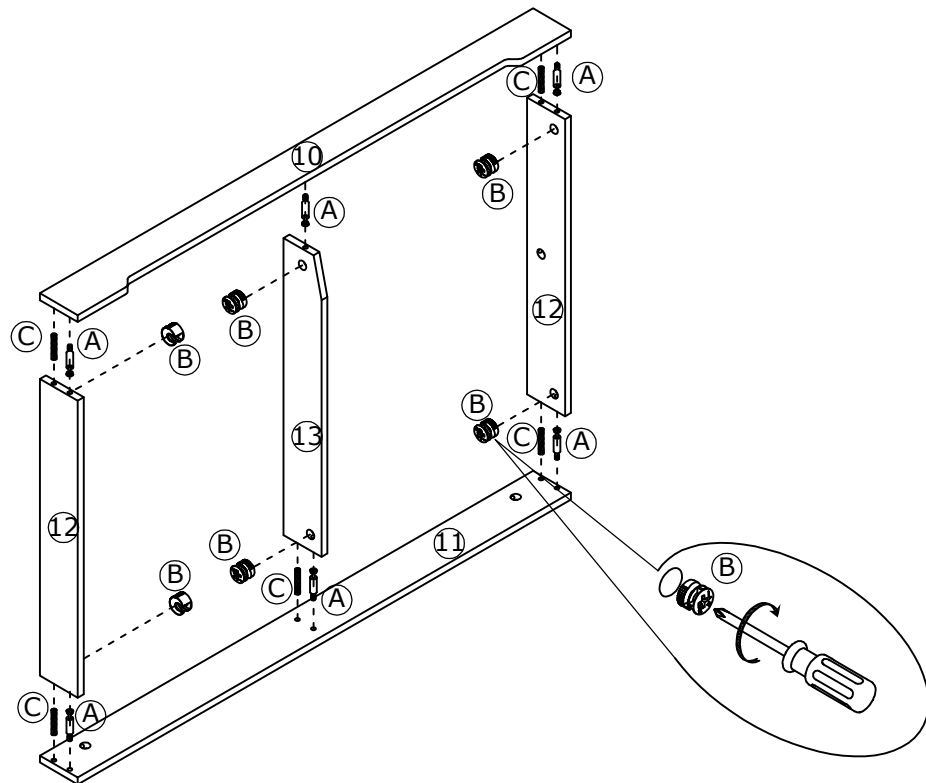
The head of the cam bolt goes into the open mouth of the cam nut. You then turn the cam nut so it tightens over the bolt.



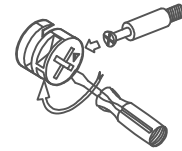
This is how a cam nut works.....



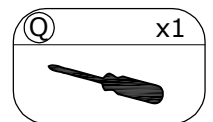
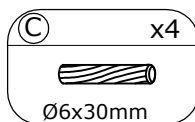
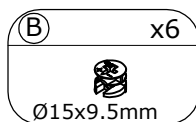
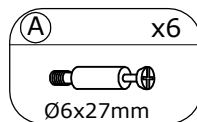
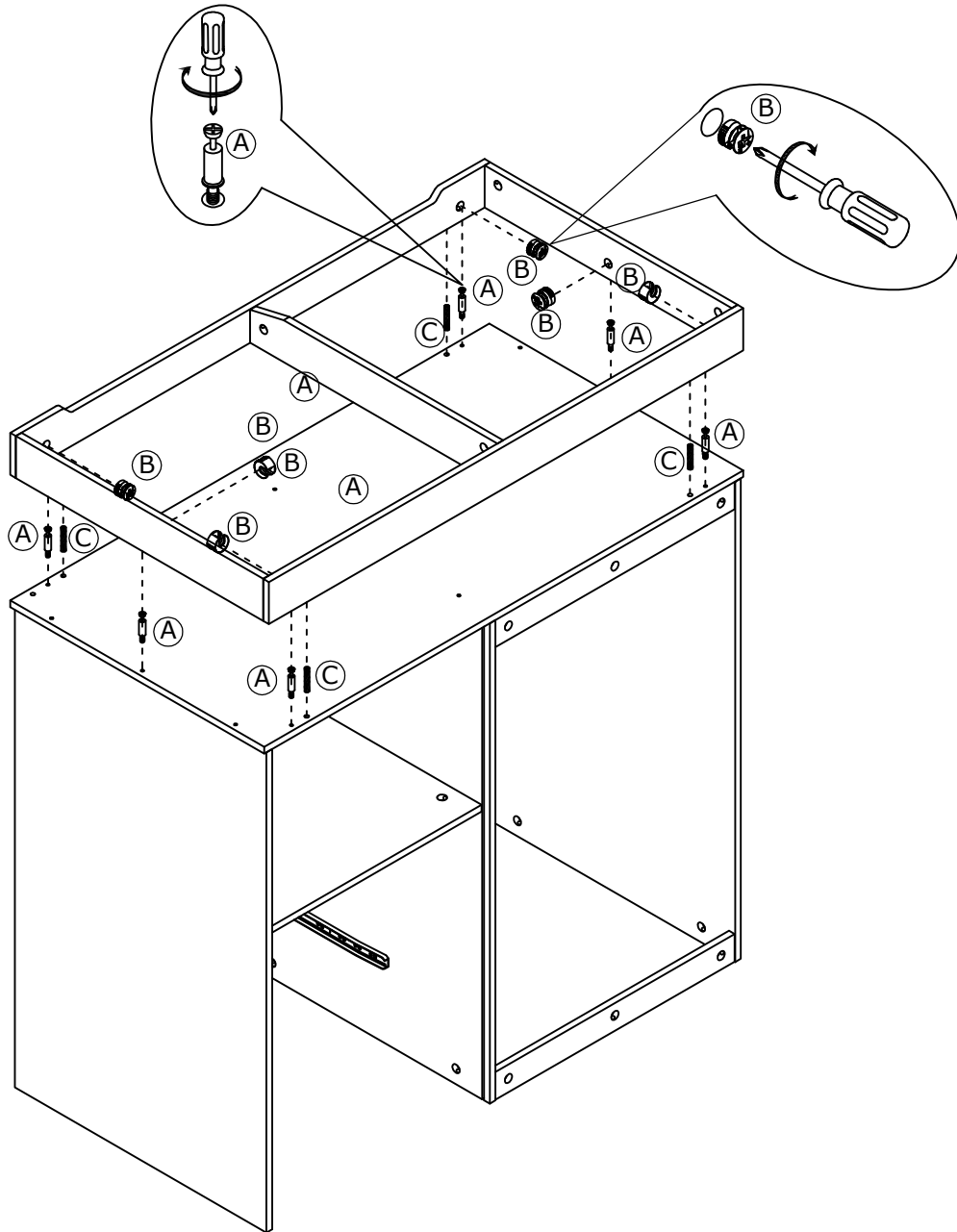
The head of the cam bolt goes into the open mouth of the cam nut. You then turn the cam nut so it tightens over the bolt.



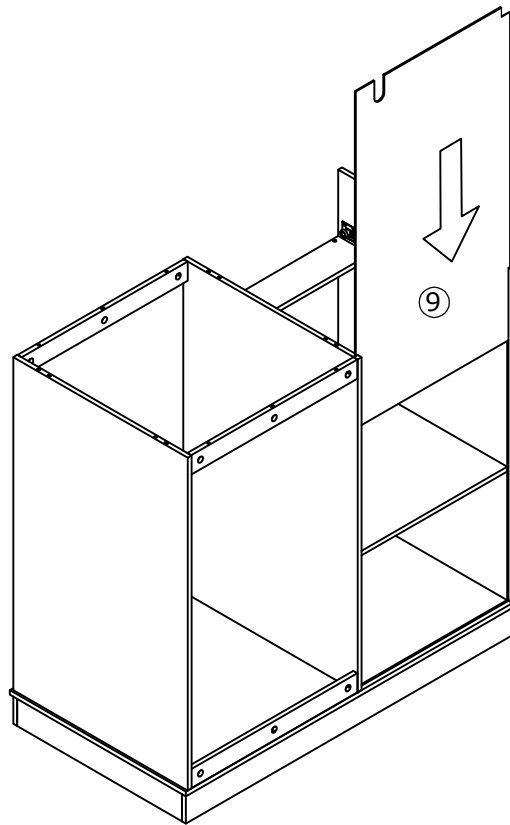
This is how a cam nut works.....



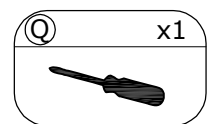
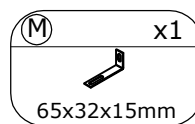
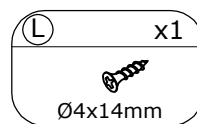
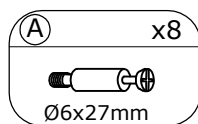
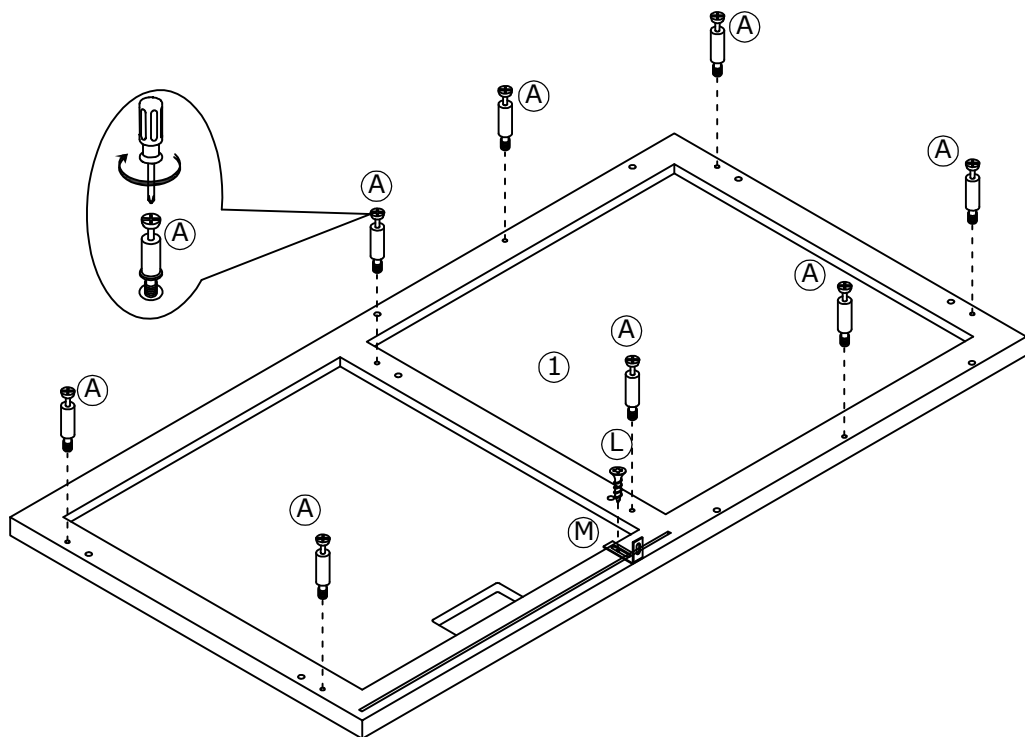
The head of the cam bolt goes into the open mouth of the cam nut. You then turn the cam nut so it tightens over the bolt.



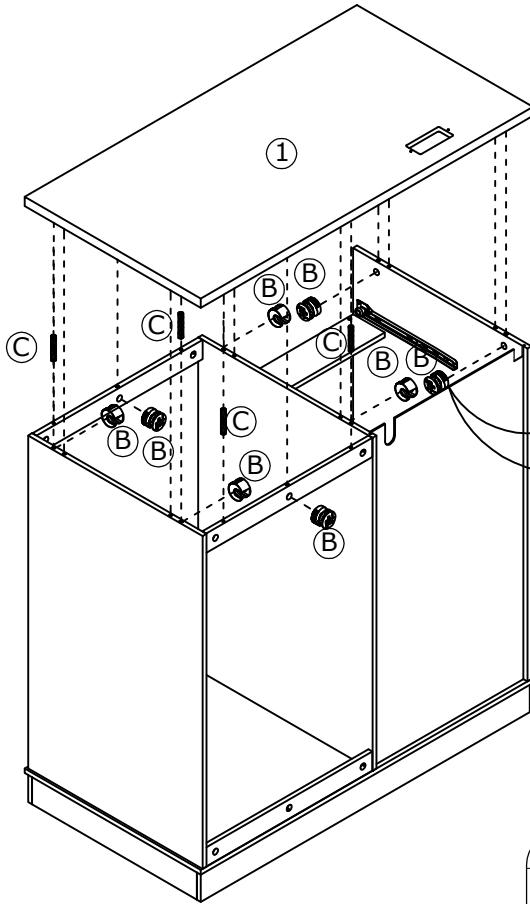
12▷



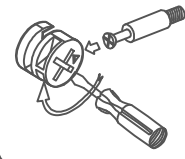
13▷



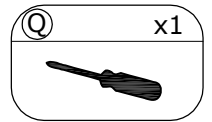
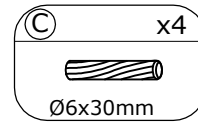
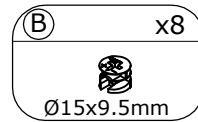
14▷



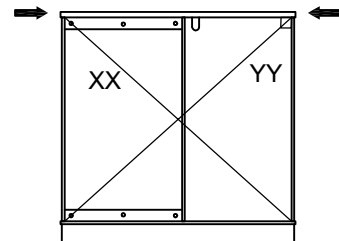
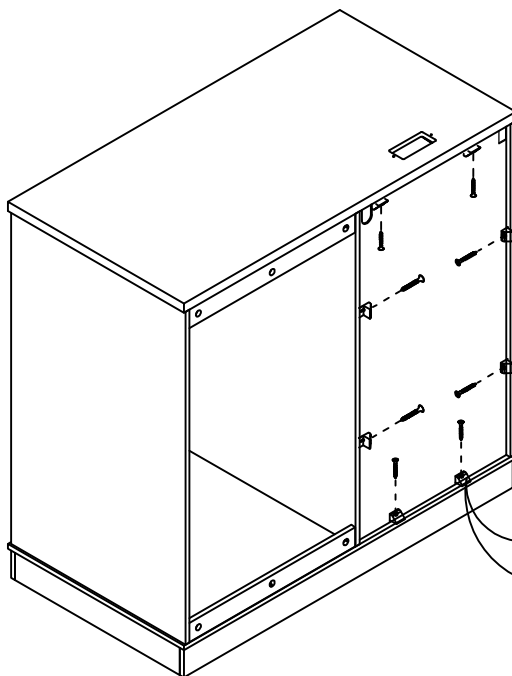
This is how a cam nut works.....



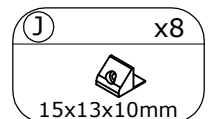
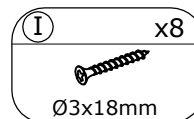
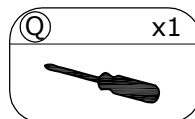
The head of the cam bolt goes into the open mouth of the cam nut. You then turn the cam nut so it tightens over the bolt.



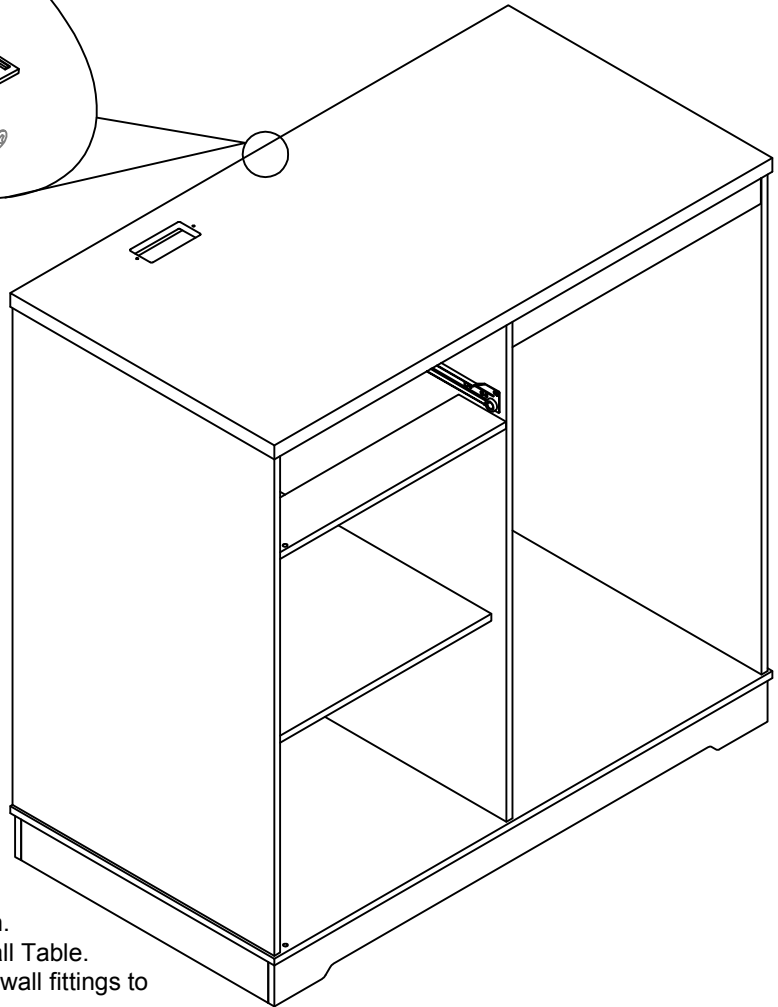
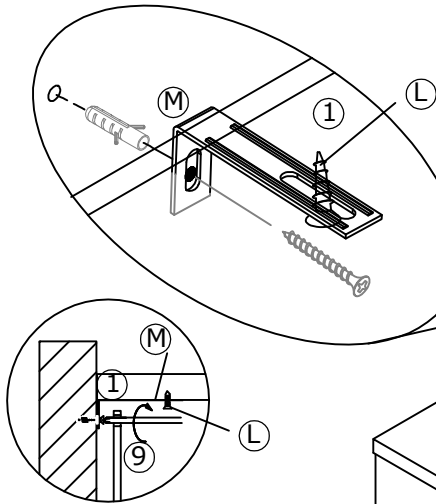
15▷



XX = YY



Seek advice from a qualified trades person on how to attach this safety Bracket to your specific wall.

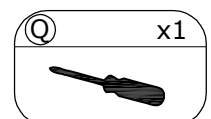


We strongly advise that you use the wall safety Bracket provided to prevent the unit toppling.

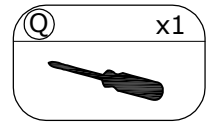
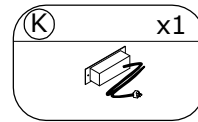
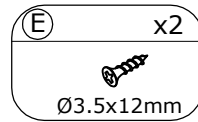
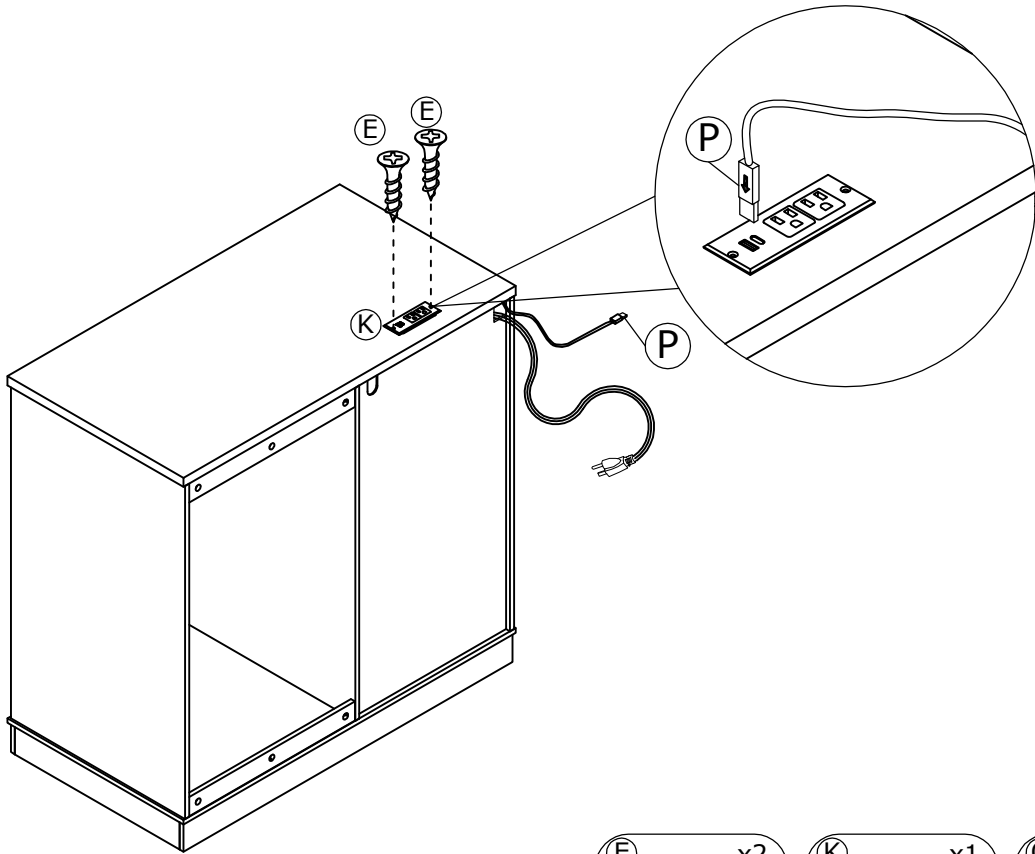
Screw and Wall Plug are not provided.

Please use appropriate fixtures for your wall.

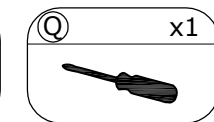
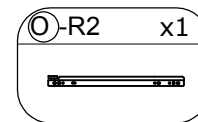
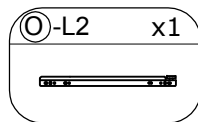
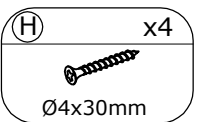
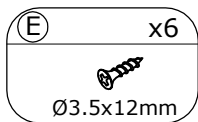
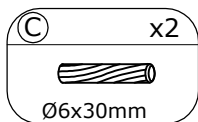
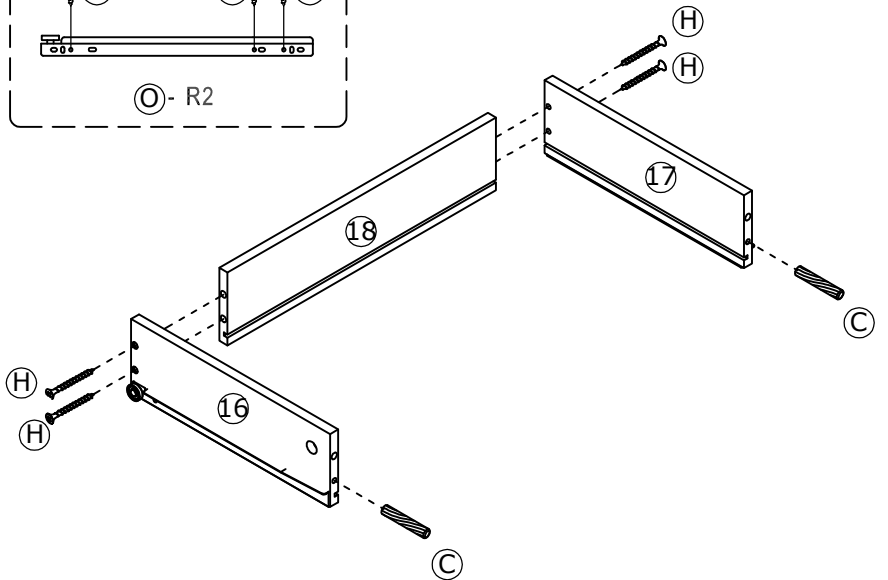
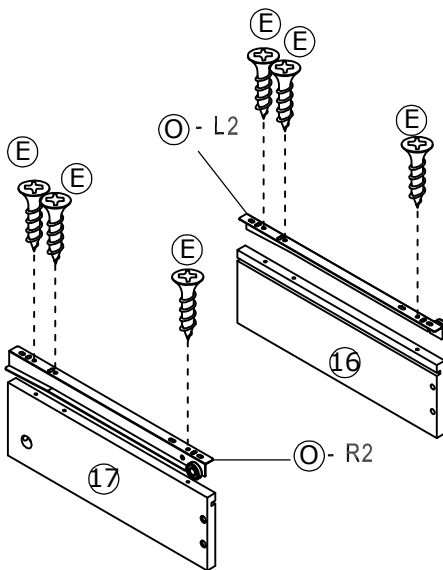
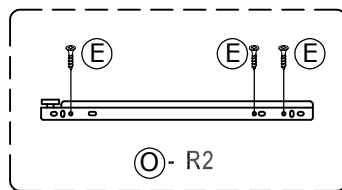
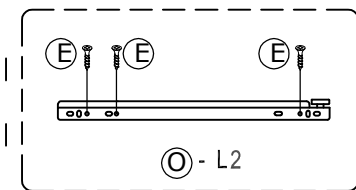
Move the Hall Table to the final position.
 Mark fixing hole on wall and remove Hall Table.
 Follow the instructions provided for the wall fittings to mount the fittings to the wall.
 Reposition Hall Table and fix the safety Wall Bracket (L) to the wall. Make sure it is firmly attached and a snug fit.
 Fully tighten the screw (M) on the Wall Bracket (L) to the Bottom Panel (1).



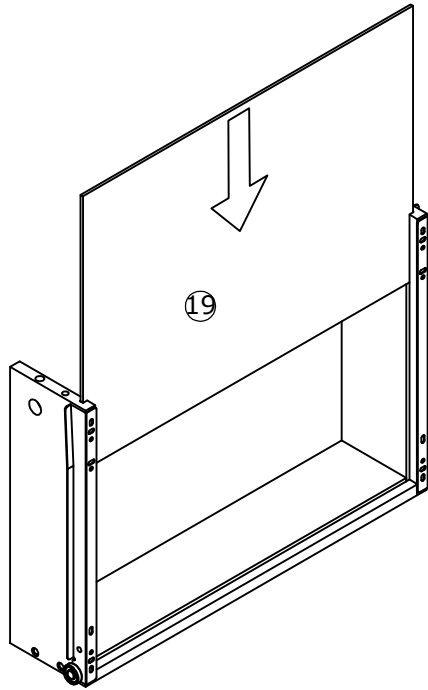
17▷



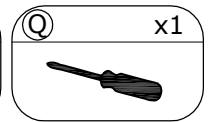
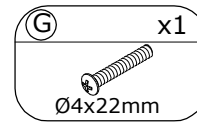
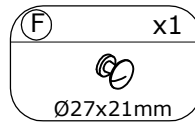
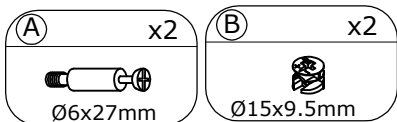
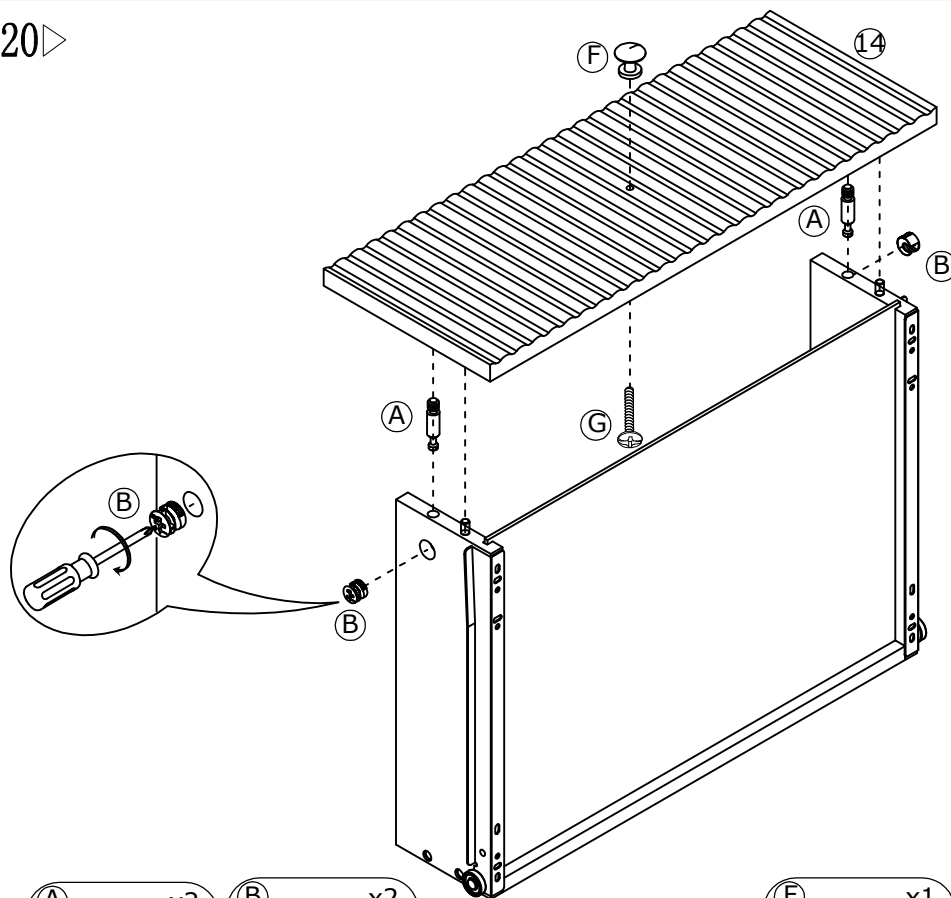
18▷



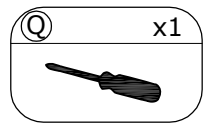
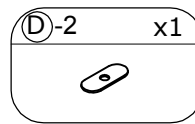
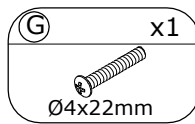
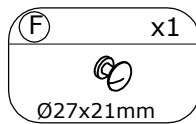
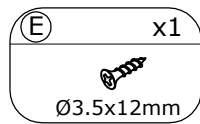
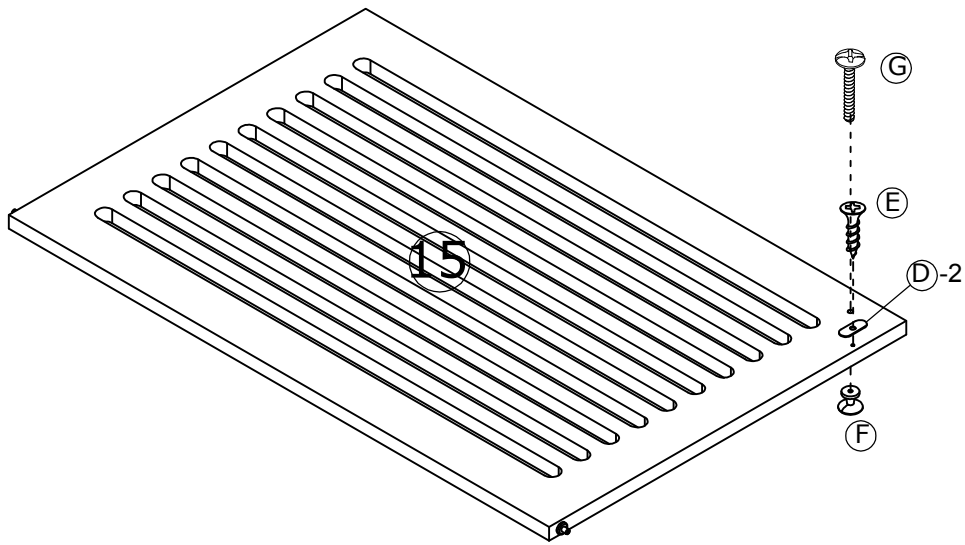
19▷



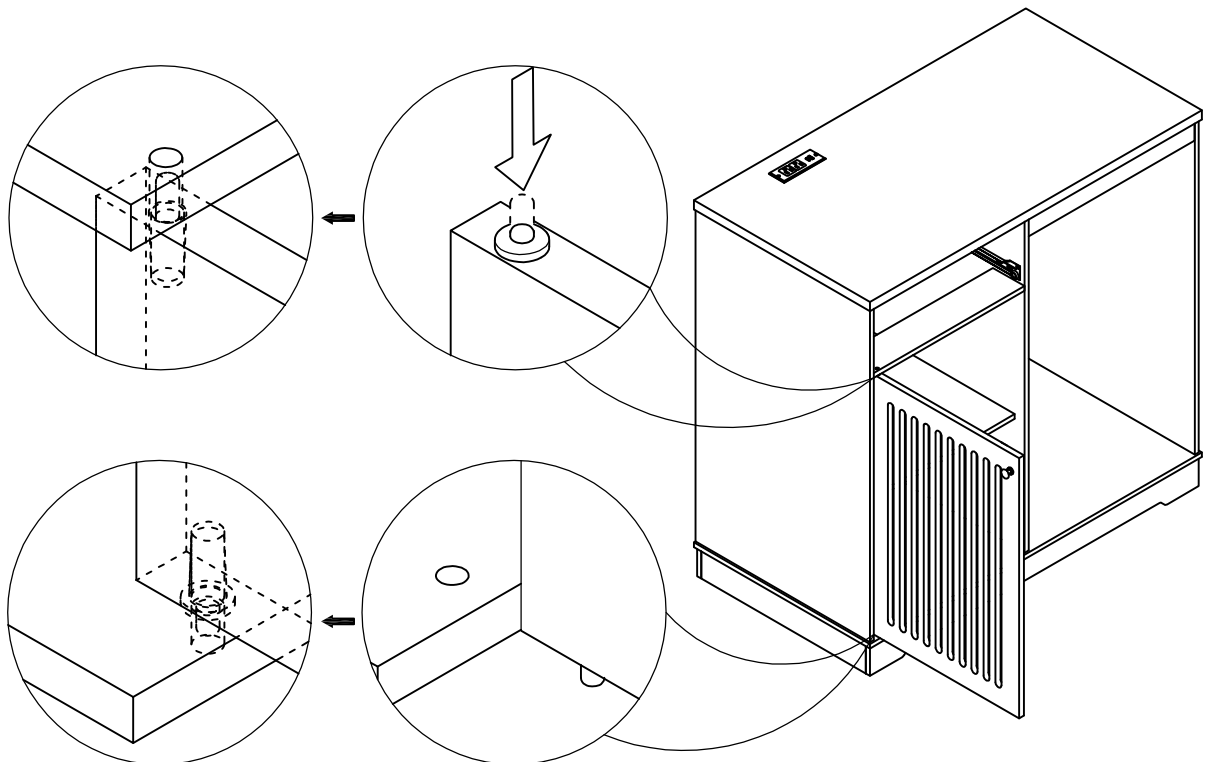
20▷



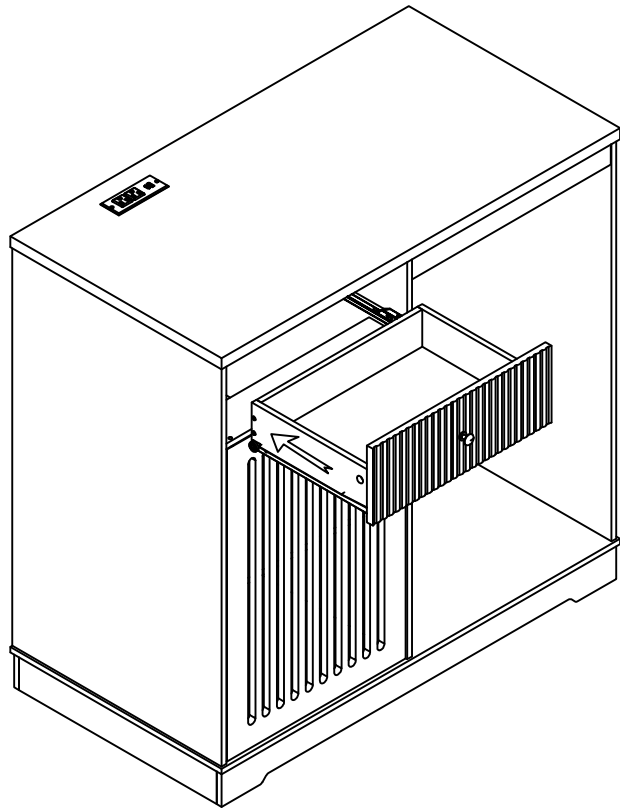
21▷



22▷



22▷



23▷

