

ASSEMBLY INSTRUCTIONS

Adult assembly required

Small parts may present choking hazard prior to assembly.

Enclosed please find simple step-by-step instructions to help you quickly assemble your products. Before you begin we recommend that you following the steps below:

1. Please read the instructions thoroughly.
2. Identify all parts and hardware.
3. You will need the following tools:

Philips head screw drive

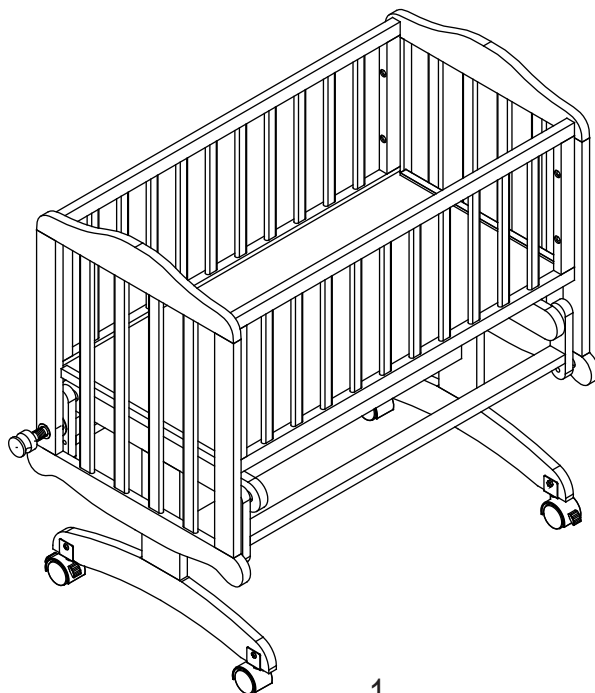
Flat head screw drive

Hammer

DO NOT use power drills or drivers

To protect your parts during assembly please place them on a soft surface.

To clean surface use only water on a damp cloth. **DO NOT** use window cleaners or cleaning abrasives as it will scratch the surface and could damage the protective coating.



WARNING

- Failure to follow these warnings and the assembly instructions could result in serious injury or death.
- Read all instructions before assembling cradle. KEEP INSTRUCTIONS FOR FUTURE USE.
- Periodically check the safety of your cradle, by making certain all screws, nuts and bolts are tightened securely and inspect cradle for damaged hardware, loose joints, missing parts or sharp edges. DO NOT use the cradle if any parts are missing or broken. Ask your local dealer for replacement part and instruction literature if needed. DO NOT substitute parts.
- When child is able to climb out unaided, the cradle should no longer be used.
- DO NOT suspend items with long strings into cradle. DO NOT place cradle near a window where cords from blinds or drapes may strangle a child. DO NOT tie pacifiers, necklaces, or any other item around a child's neck or on the cradle parts. This could cause strangulation.
- DO NOT use a water mattress with this cradle.
- DO NOT use shipping or other bags as mattress covers since they can cause suffocation.
- Never aim or point a vaporizer or humidifier directly at the cradle as the water vapour could ruin the finish of it.
- Wash with mild soap and a damp cloth. Do not use abrasives. Avoid furniture polish as it could be hazardous to your child. If refinishing, use a non-toxic finish specific for children's products.

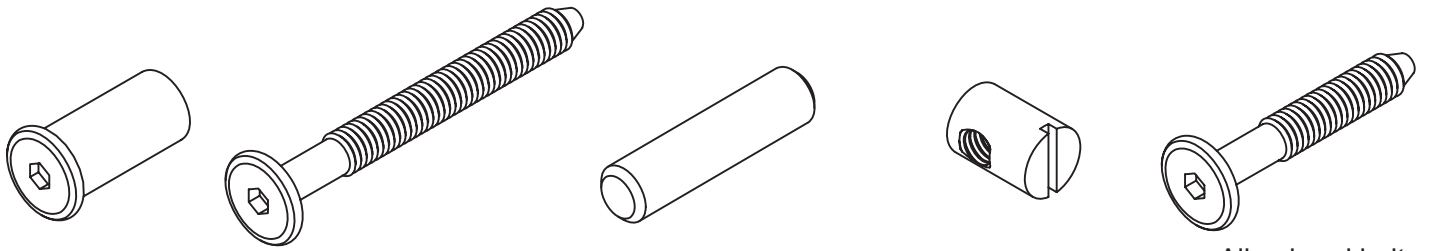
FALL HAZARD--To help prevent falls, do not use this product when the infant begins to push up on hands or has reached 30lbs, whichever comes first.

SUFFOCATION HAZARD--Infants have suffocated in gaps between extra padding and side of the cradle. On soft bedding Never add a pillow or comforter. Use only the pad provided. Never place additional padding under an infant.

To reduce the risk of SIDS, pediatricians recommend healthy infants be placed on their backs to sleep, unless otherwise advised by your physician.

If a sheet is used with the pad, use only the one provided by the bassinet or cradle manufacturer or one specifically designed to fit the dimension of the bassinet or cradle mattress.

HARDWARE AND TOOLS DIAGRAM



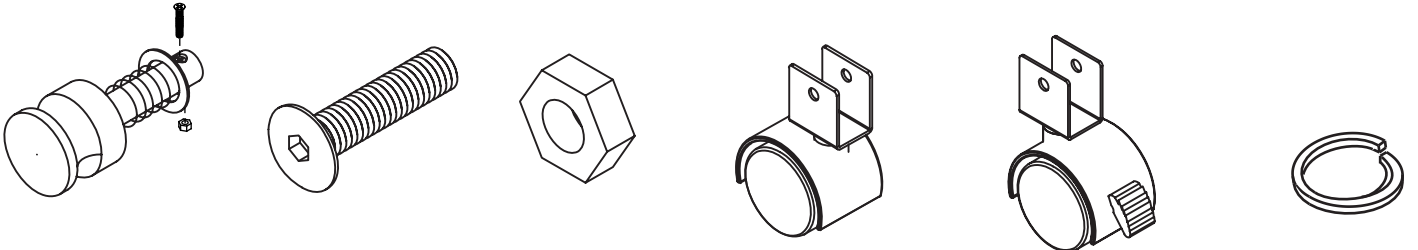
a: Bearing (8pcs)

b: Allen head bolts
2-3/8" (8pcs)

c: Wood dowels (4pcs)

d: Barrel nuts (8pcs)

e: Allen head bolts
1-3/5" (8pcs)



f: Swing lock (1pc)

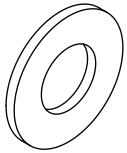
g: Screws (4pcs)

h: Nuts (4pcs)

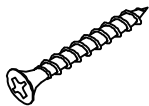
i: Casters (2pcs)

j: Casters with lock
(2pcs)

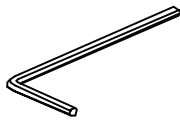
k: Spring washer
(8pcs)



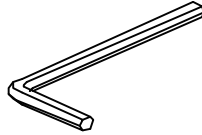
m: Flat washer
(16pcs)



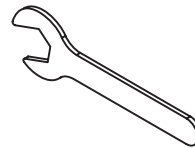
n: Screw
(2pcs)



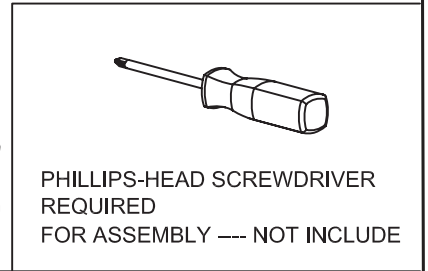
p: Allen key (for b&e)
(1pc)



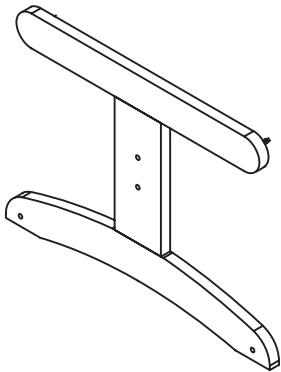
q: Allen key (for a)
(1pc)



r: Wrench (1pc)



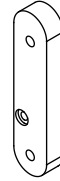
PARTS LIST



A: Base supporter
(2PCS)



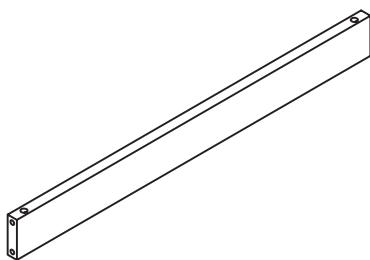
B: Wood pin 1 (1PC)



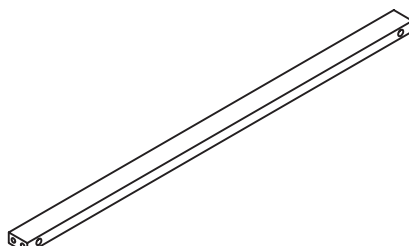
C: Wood pin 2 (2PCS)



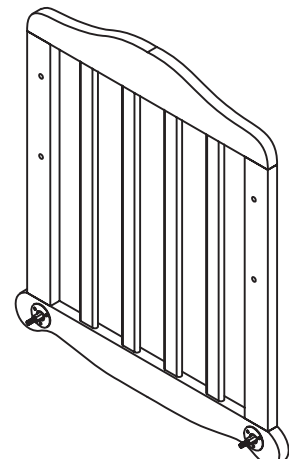
D: Wood pin 3 (1PC)



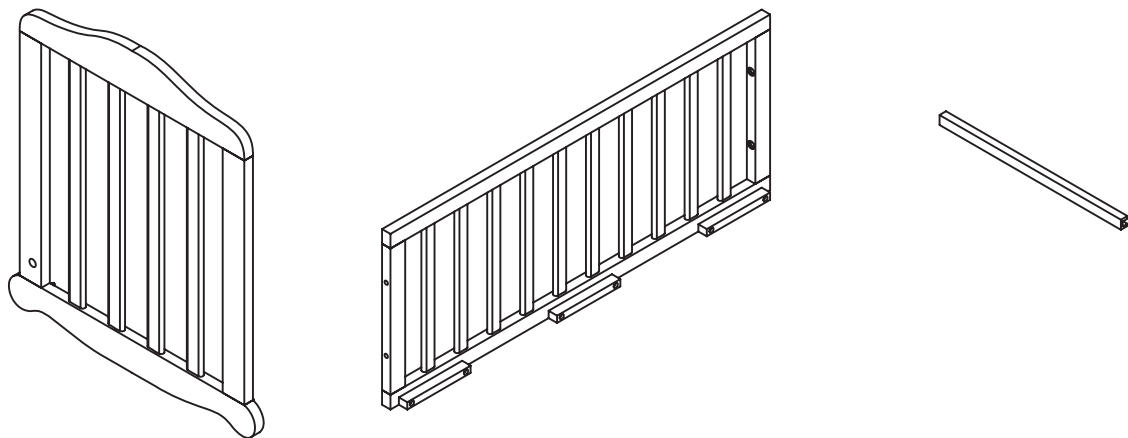
E: Middle bar (1PC)



F: Side bar (2PCS)



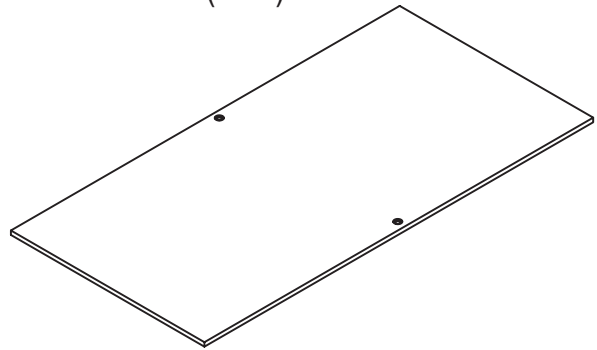
G: Right Headboard (1PC)



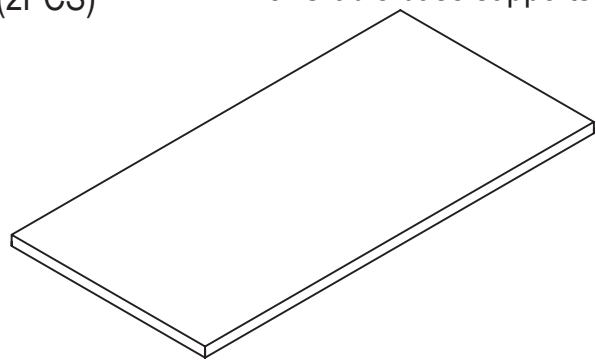
H: Left Headboard (1PC)

I: Rails (2PCS)

J: Cradle base supports (2PCS)



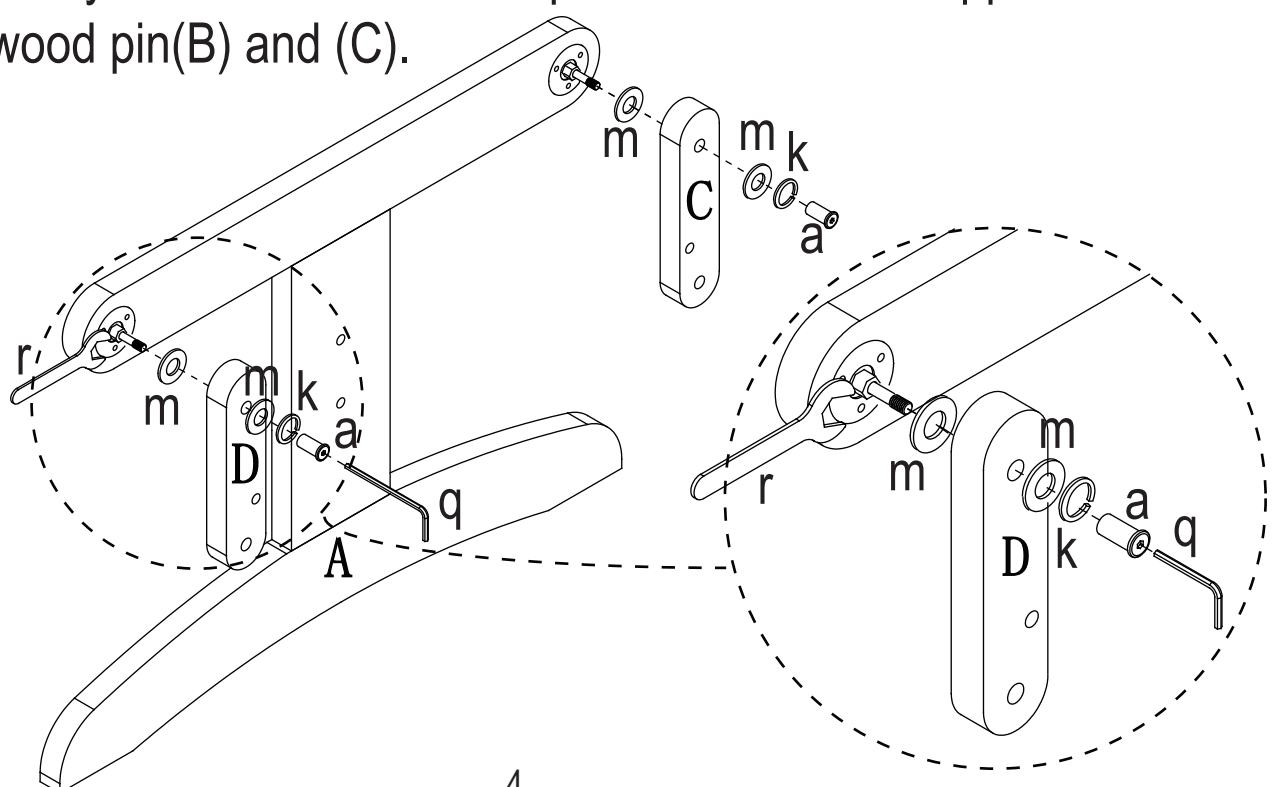
K: Mattress support (1PC)



L: Pad (1PC)

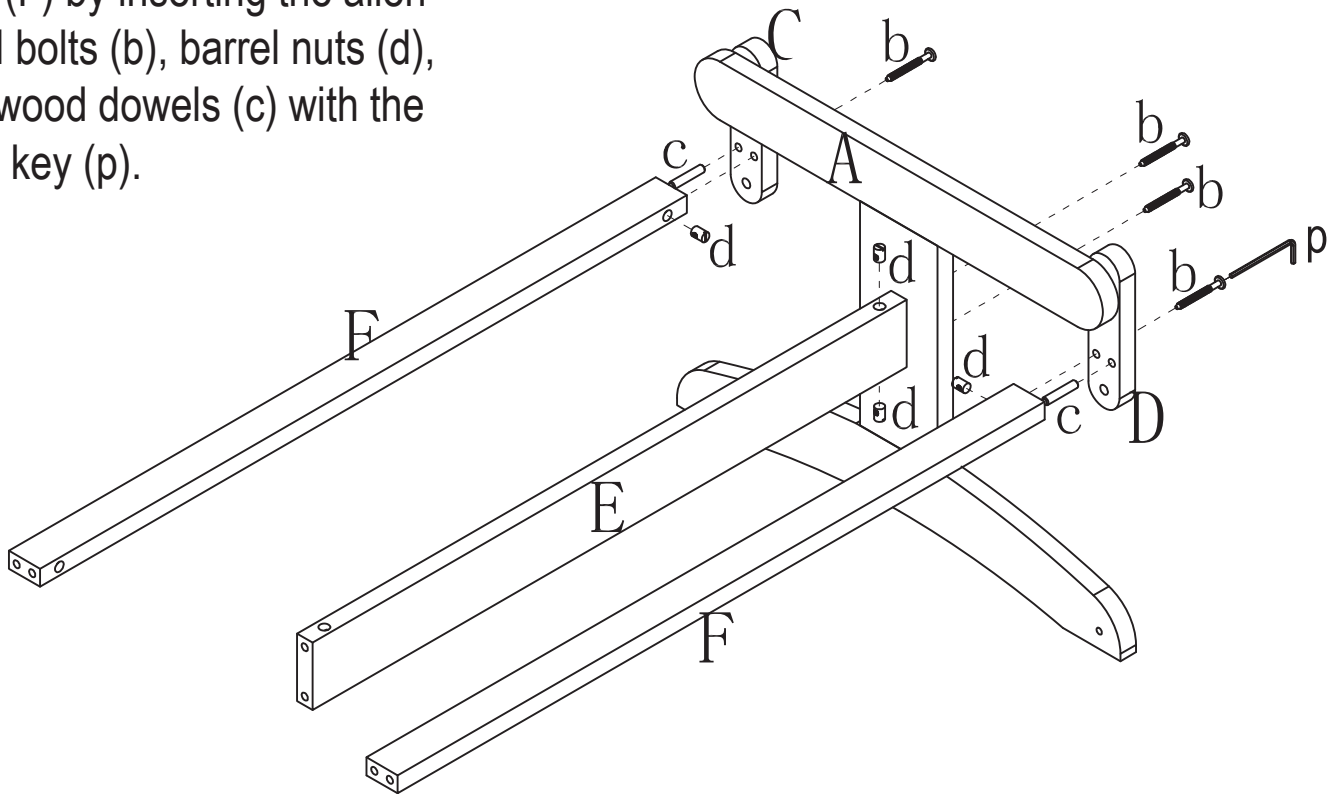
STEP 1

Connect the base supporter (A) and the wood pins (C) and (D) by inserting the bearings (a) using the allen key (q) and wrench (r). The same way to assemble another piece of the base support with the wood pin (B) and (C).



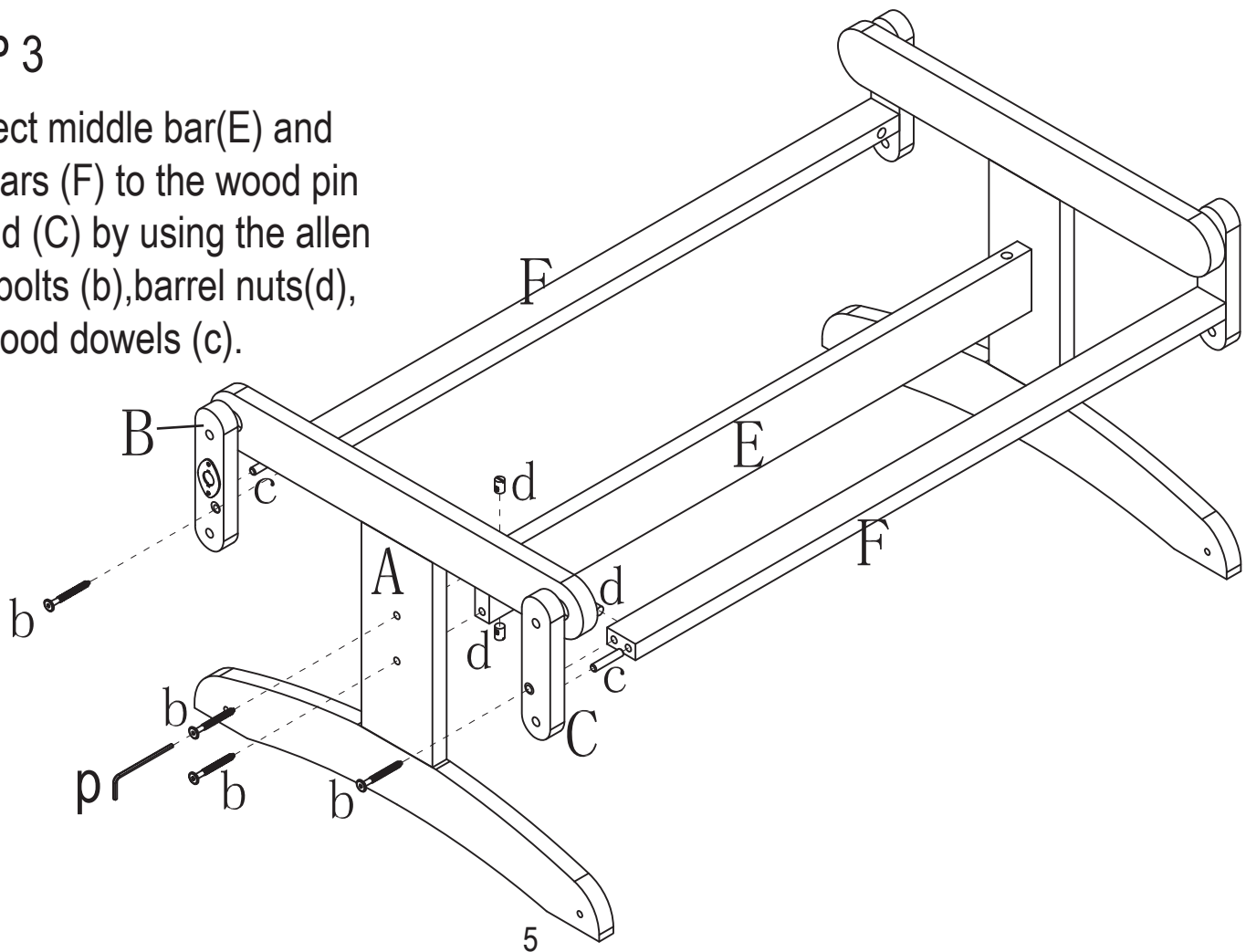
STEP 2

Connect the middle bar (E), side bars (F) by inserting the allen head bolts (b), barrel nuts (d), and wood dowels (c) with the allen key (p).



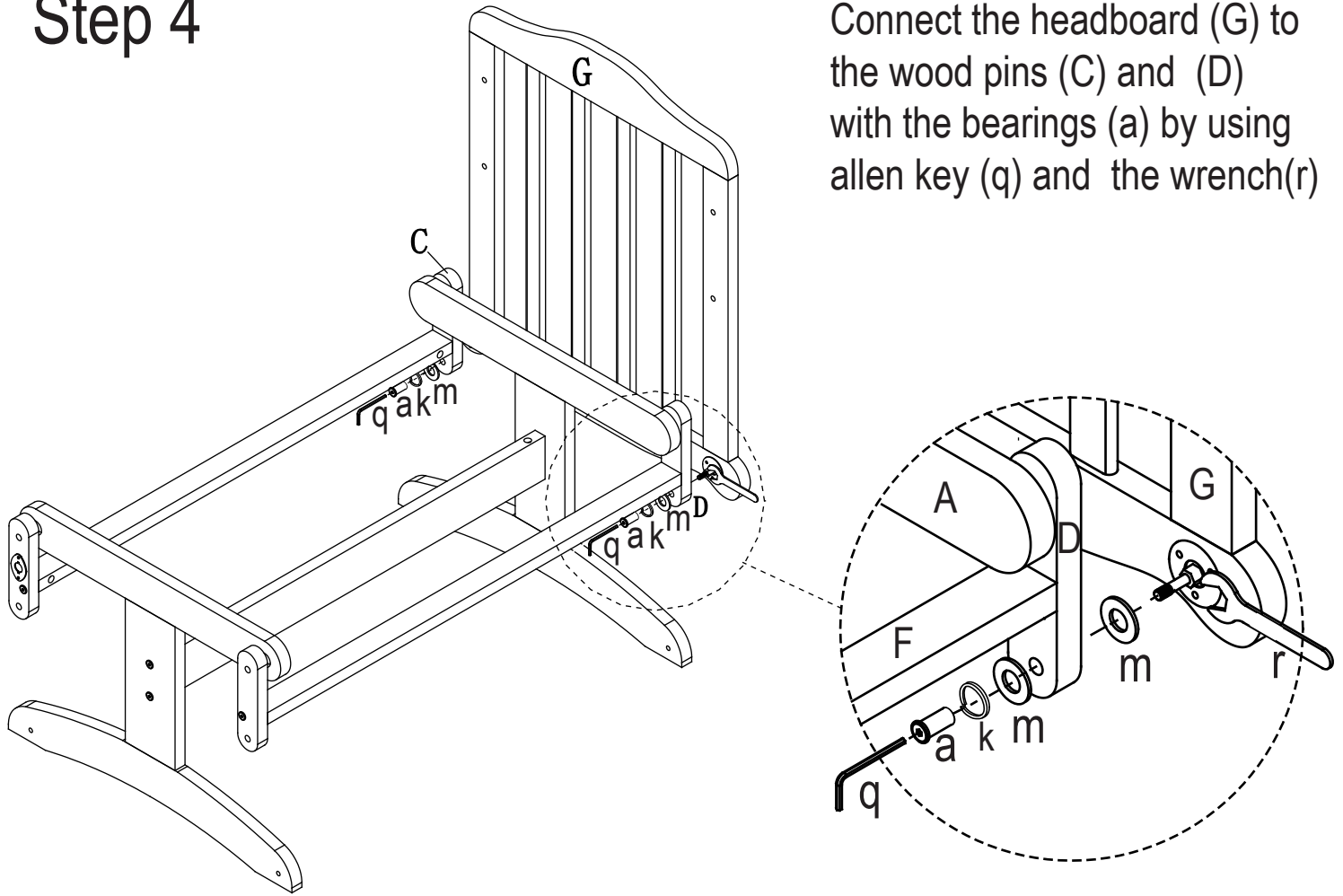
STEP 3

Connect middle bar (E) and side bars (F) to the wood pin (B) and (C) by using the allen head bolts (b), barrel nuts (d), and wood dowels (c).



Step 4

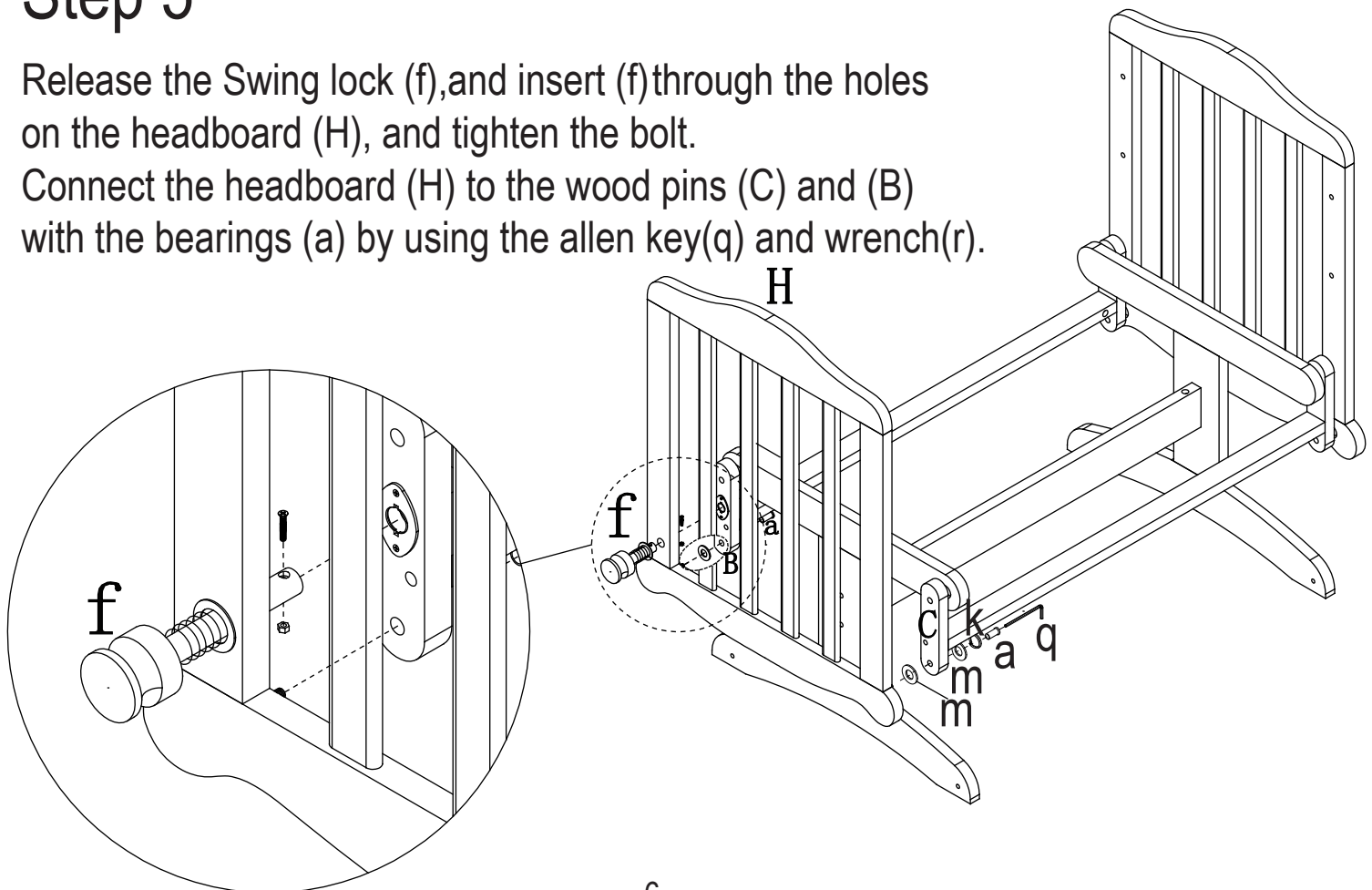
Connect the headboard (G) to the wood pins (C) and (D) with the bearings (a) by using allen key (q) and the wrench(r)



Step 5

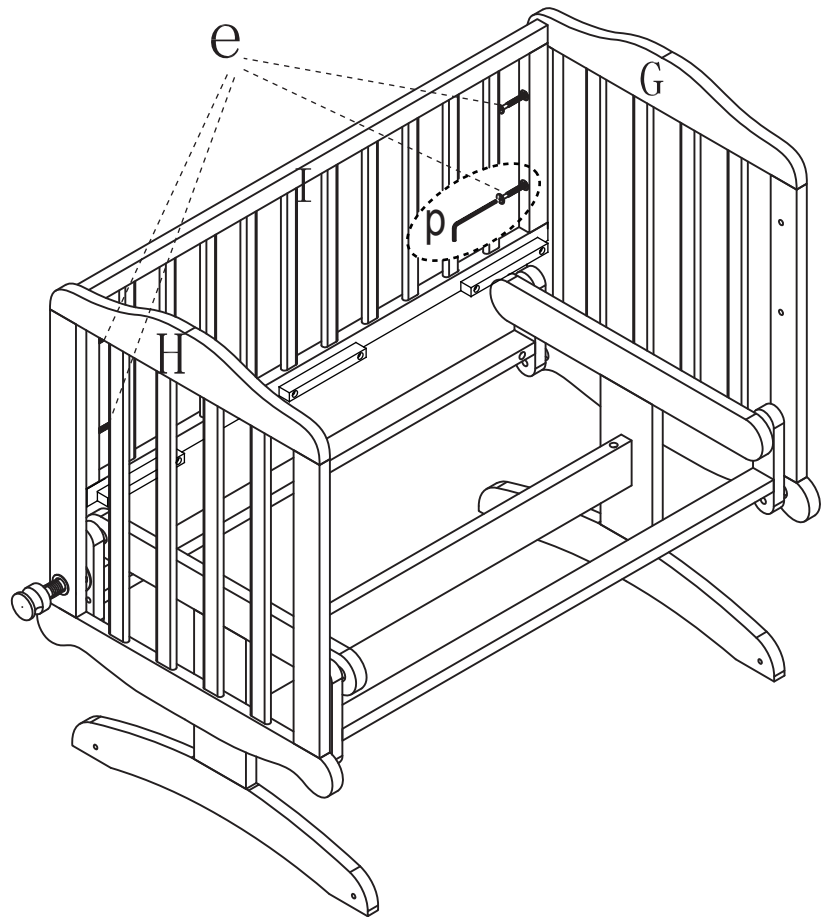
Release the Swing lock (f), and insert (f) through the holes on the headboard (H), and tighten the bolt.

Connect the headboard (H) to the wood pins (C) and (B) with the bearings (a) by using the allen key (q) and wrench (r).



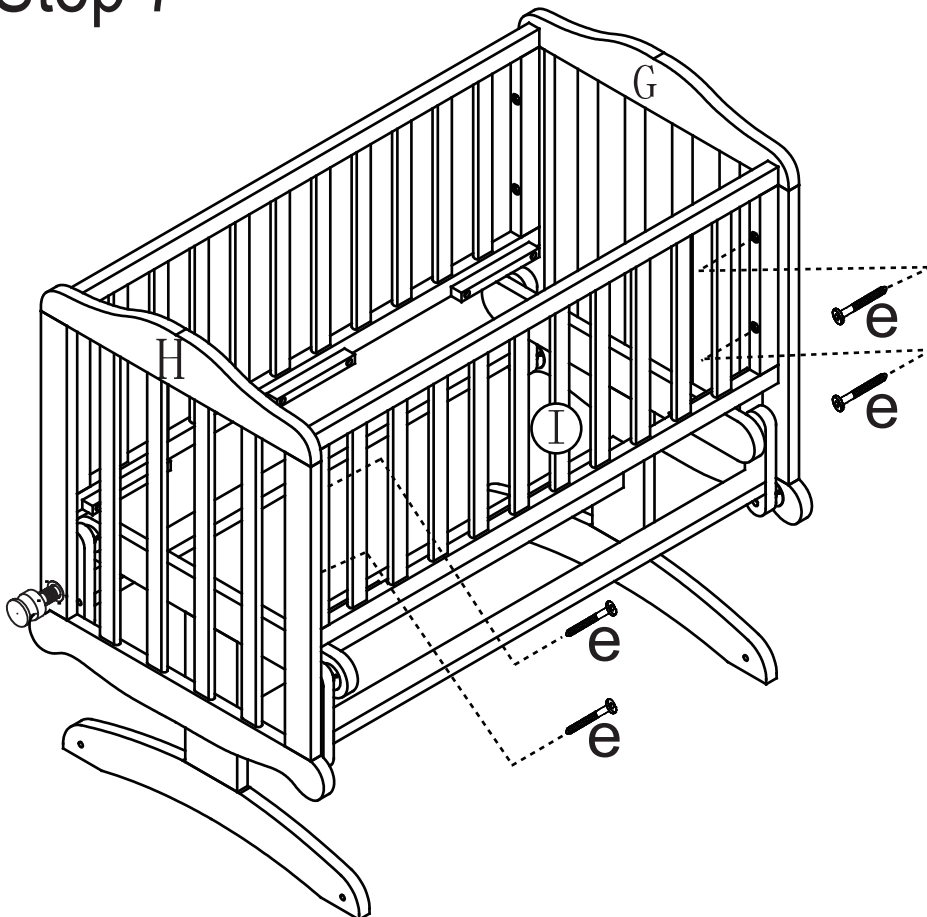
Step 6

Connect the side rail (I) to the headboard (G) and (H) with the allen head bolts(e) by using the allen key (p).



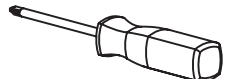
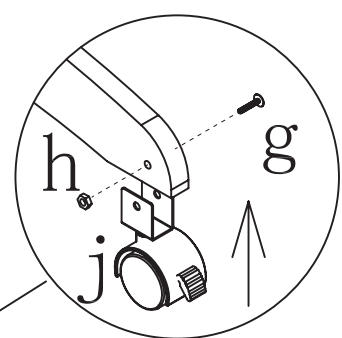
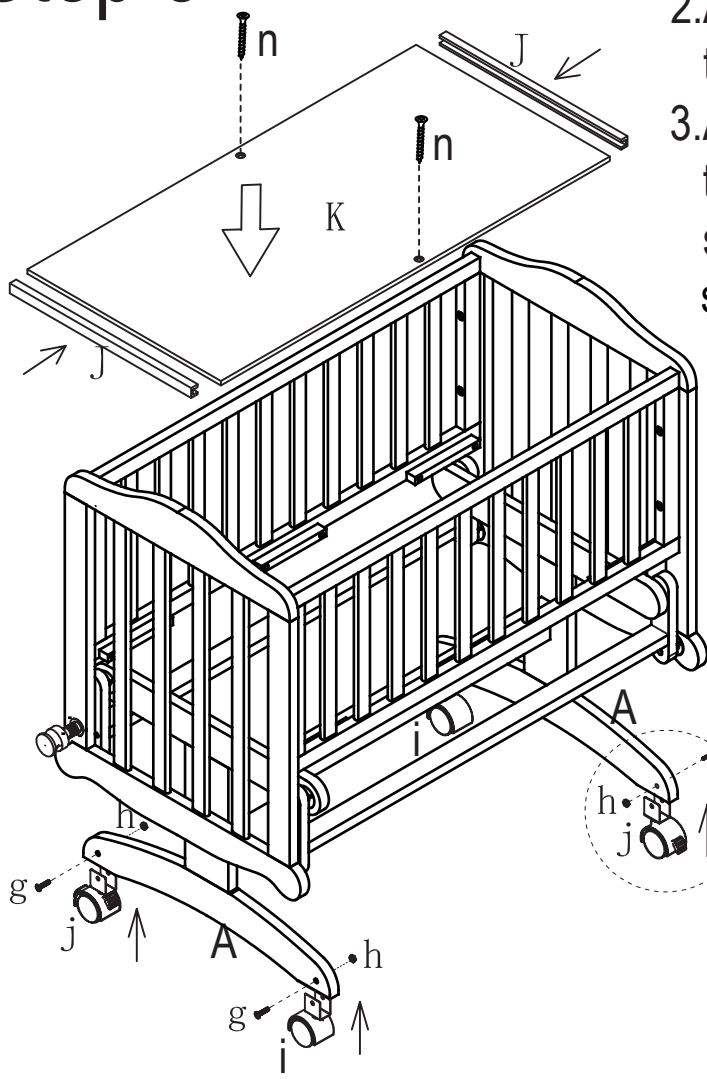
Step 7

Connect the side rail (I) to the headboard (G) and (H) with the allen head bolts(e) by using the allen key (p).



Step 8

1. Insert the four casters (j&i) with screw (g) and nuts(h) as shown, and tighten the bolts.
2. Assembled the cradle base supporters (J) to the mattress support (K).
3. Assembled the mattress support (K) to the assembled parts of STEP 7 by using screw (n). Tighten all by phillips-head screwdriver.



PHILLIPS-HEAD SCREWDRIVER
REQUIRED
FOR ASSEMBLY --- NOT INCLUDE

Step 9

Put the mattress (L) on the mattress support.

