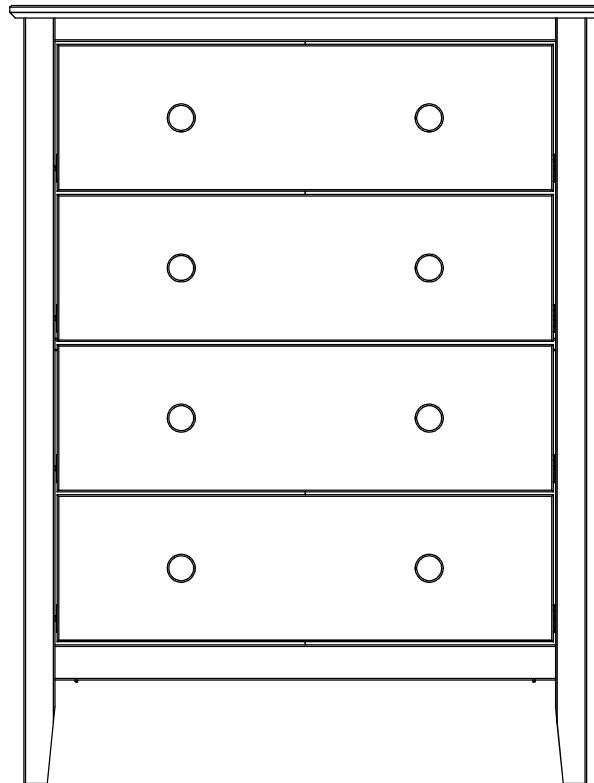


ASSEMBLY INSTRUCTIONS

Easy Pieces Four Drawer Chest



IF YOU CALL, PLEASE HAVE ON HAND:

- PRODUCT NAME AND STOCK NUMBER
- WHEN AND WHERE THE UNIT WAS PURCHASED
- P.O. NUMBER FROM THE BOTTOM OF THIS PAGE

IF WE ARE BUSY HELPING OTHER CUSTOMERS, PLEASE LEAVE YOUR NAME AND NUMBER
TO RECEIVE A RETURN CALL.

YOUR RETAILER MAY ALSO PROVIDE SERVICE OR PARTS.

HELPFUL OVERALL:

SAVE THESE INSTRUCTION SHEETS AND THE BOX UNTIL YOU ARE SATISFIED WITH THE ASSEMBLY.
DO NOT GLUE THE PARTS OF THE UNIT TOGETHER UNLESS YOU HAVE TESTED THE ASSEMBLY FIRST.
PERFORM THE ASSEMBLY ON A CLEAN HARD SURFACE USING THE FLATTENED CARTON OR A TOWEL
TO PROTECT THE SURFACE AND THE FINISH OF THE UNIT. DO NOT ASSEMBLE ON CARPET.

WELCOME TO ADEPTUS!




This is a **SOLID WOOD** product:

We inspect all wood and follow quality assurance guidelines that pass third-party inspections.

Note: Real wood has knots, small cracks, and what may look like blemishes. These characteristics are expected when producing furniture from natural material.


We take extra care with our drawer parts:

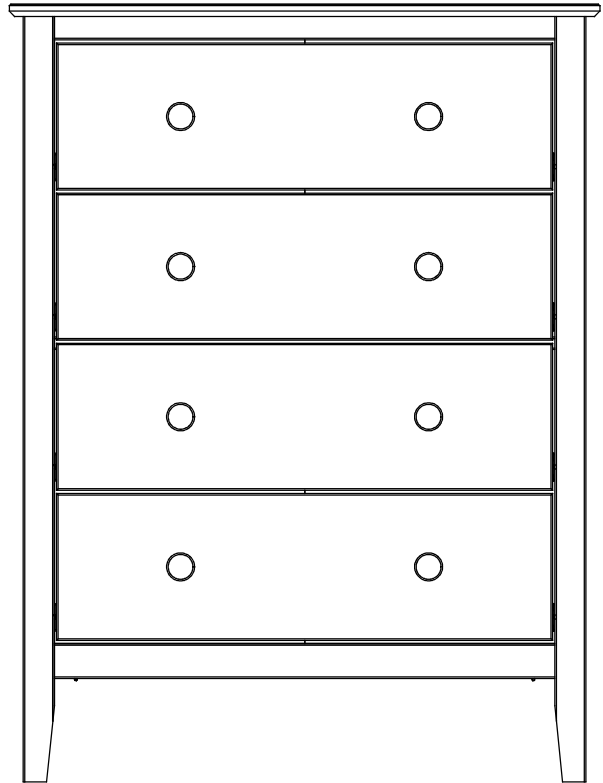
1. We use real wood drawer sides and drawer backs.
2. Drawer sides and backs are not finished to protect fabrics from any residual paint odor.
3. Drawer parts are finely sanded to prevent snags.


IMPORTANT

Perform assembly on a clean, hard surface using the flattened box or a towel to protect the surface & the unit's finish. **DO NOT** assemble on carpet.

Carpet creates too much bounce making assembly difficult and could lead to damage of the parts.

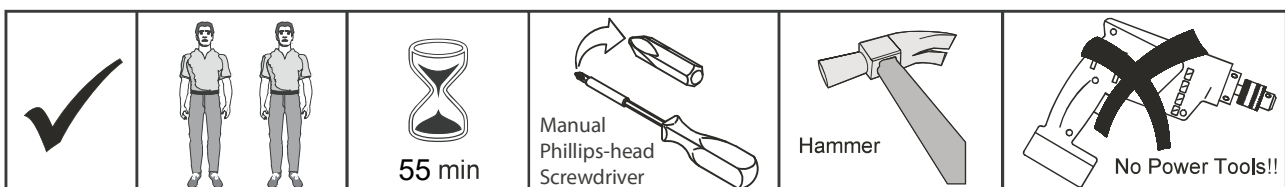
 **DO NOT FORCE OR OVER-TIGHTEN THE SCREWS. DOING SO CAN DAMAGE THE PARTS.**

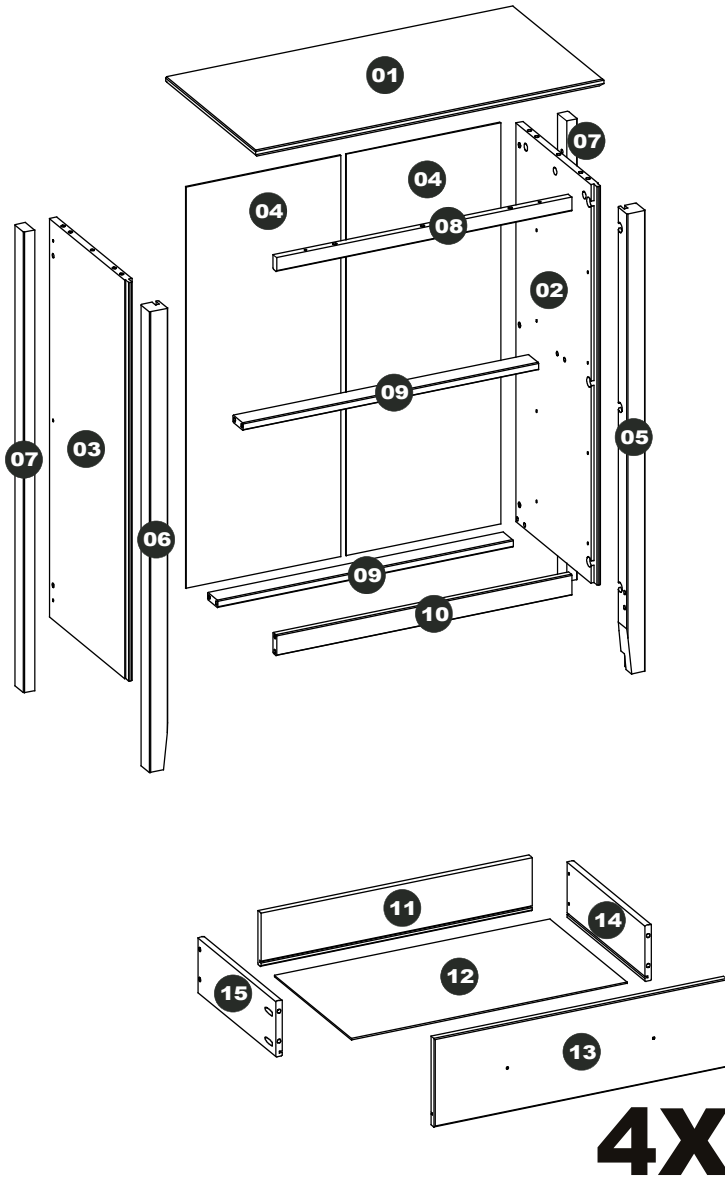


Safety and Care Advice

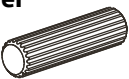

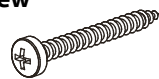




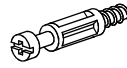
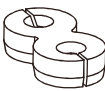
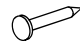
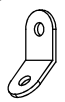

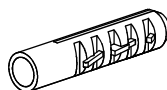
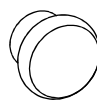
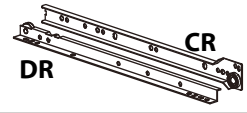


- Check that you have all the components and tools listed on pages 3 & 4.
- Remove all fittings from the plastic bags and separate them into their groups.
- Keep children and animals away from the work area, small parts could choke if swallowed.
- Make sure you have enough space to layout the parts before starting.
- Do not stand or put weight on the product, this could cause damage.
- Assemble the item as close to its final position (in the same room) as possible.
- Opened box can be used to protect your floor or counter during assembly.
- Assembly is easier for drawer parts on a counter.
- Parts of the assembly will be easier with 2 people.
- We do not recommend the use of power drill/drivers for inserting screws, as over-tightening could damage the unit.
- Only use hand screwdrivers.
- Dispose of all packaging carefully and responsibly. Please recycle the box. Go green
- Never sit, stand or allow children to climb on the assembled unit.

These tools are not supplied by the manufacturer.





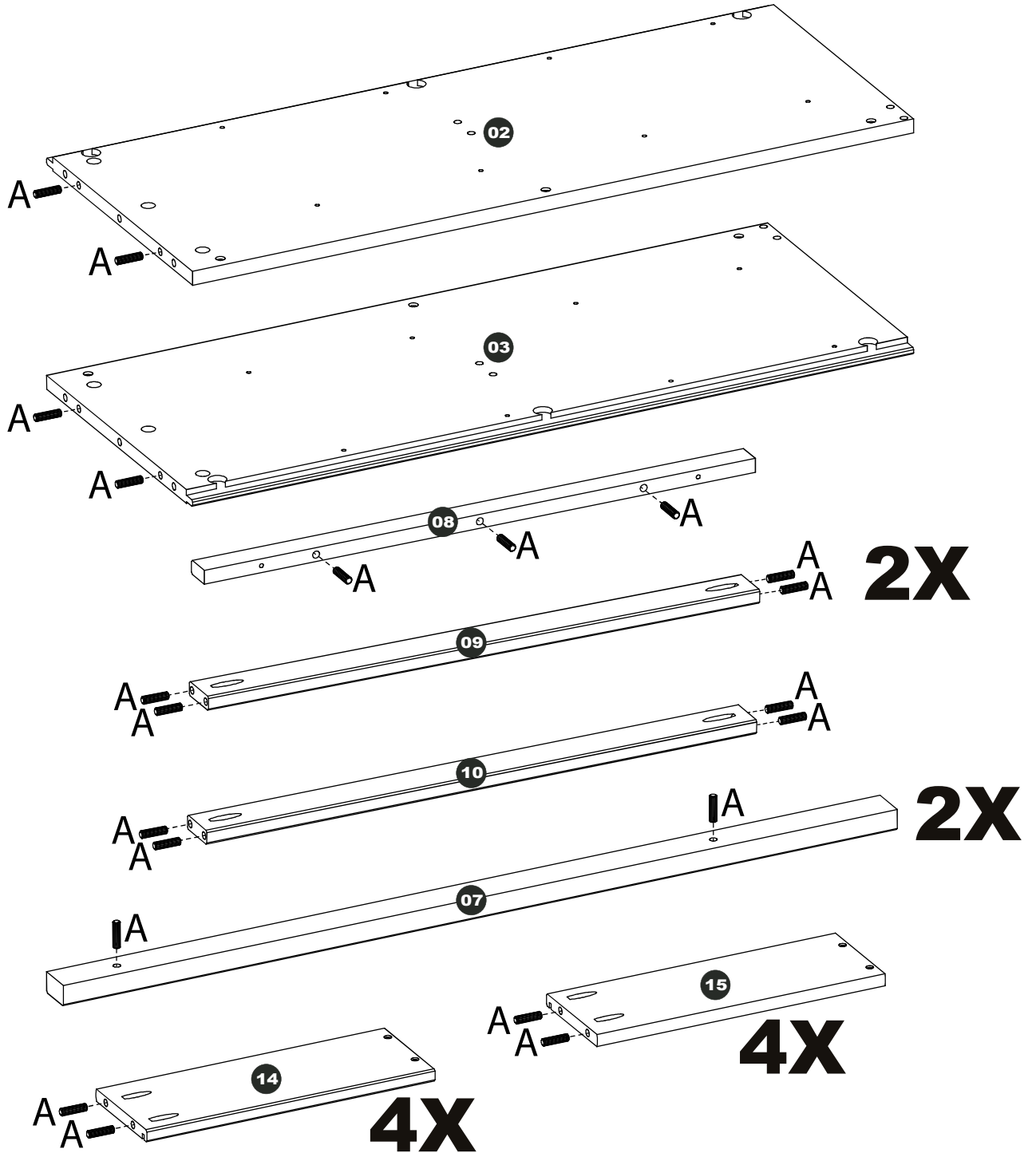
01	Top
02	Right Side Panel
03	Left Side Panel
04	Back Panel
05	Right Front Foot
06	Left Front Foot
07	Back Foot
08	Top Crossbar
09	Back Crossbar
10	Front Crossbar
11	Drawer Back
12	Drawer Bottom
13	Drawer Front
14	Right Drawer Side
15	Left Drawer Side

<p>A = 39 Dowel</p>  <p>8x30mm</p>	<p>B = 45 Screw</p>  <p>3.5x30mm</p>	<p>C = 10 Screw</p>  <p>4.0x40mm</p>	<p>D = 06 Screw</p>  <p>4.0x30mm</p>	<p>E = 25 Screw (Drawer Runner to Drawer side & anti-tip)</p>  <p>3.0x16mm</p>
<p>F = 06 Screw</p>  <p>4.0x12mm</p>	<p>G = 06 Cam lock</p> 	<p>H = 06 Minifix Screw</p> 	<p>I = 06 ZirFix</p> 	<p>J = 23 Back Panel Nail</p> 
<p>K = 02 Anti-Tip Bracket</p> 	<p>L = 16 Screw (Drawer Runner to Side Panel)</p>  <p>6.0x10mm</p>	<p>M = 01 Wall Anchor</p> 	<p>N = 08 Knob</p> 	<p>O = 04 (Right Side) Drawer Runner Set</p>  <p>CR DR</p>
<p>P = 04 (Left Side) Drawer Runner Set</p>  <p>CL DL</p>	<p>Q = 01 Anti-Tip Strap</p> 			

1

PREPARE PARTS FOR ASSEMBLY

INSERT DOWELS INTO THE PARTS, AS SHOWN.

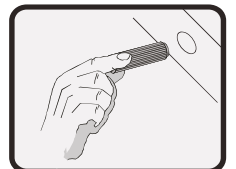


A = 39

Dowel



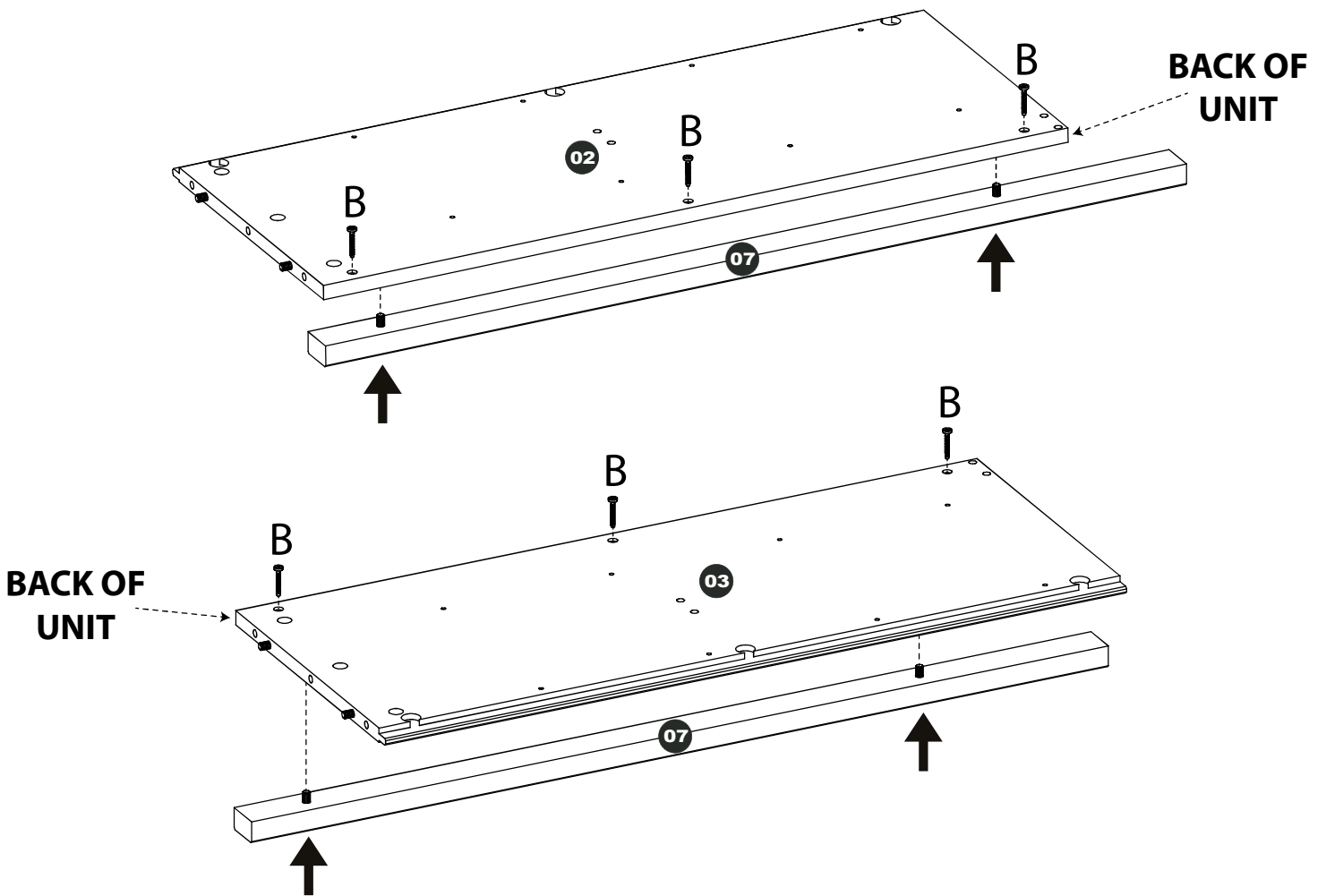
8x30mm



2

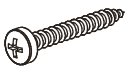
ATTACH SIDES PANELS AND BACK FEET

PLACE THE DOWELS FITTED IN THE HOLES ON THE SIDE, TAKE CARE OF THE FOOT DIRECTION AND FIX IT WITH PART B.

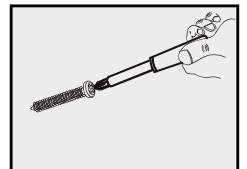


B = 06

Screw

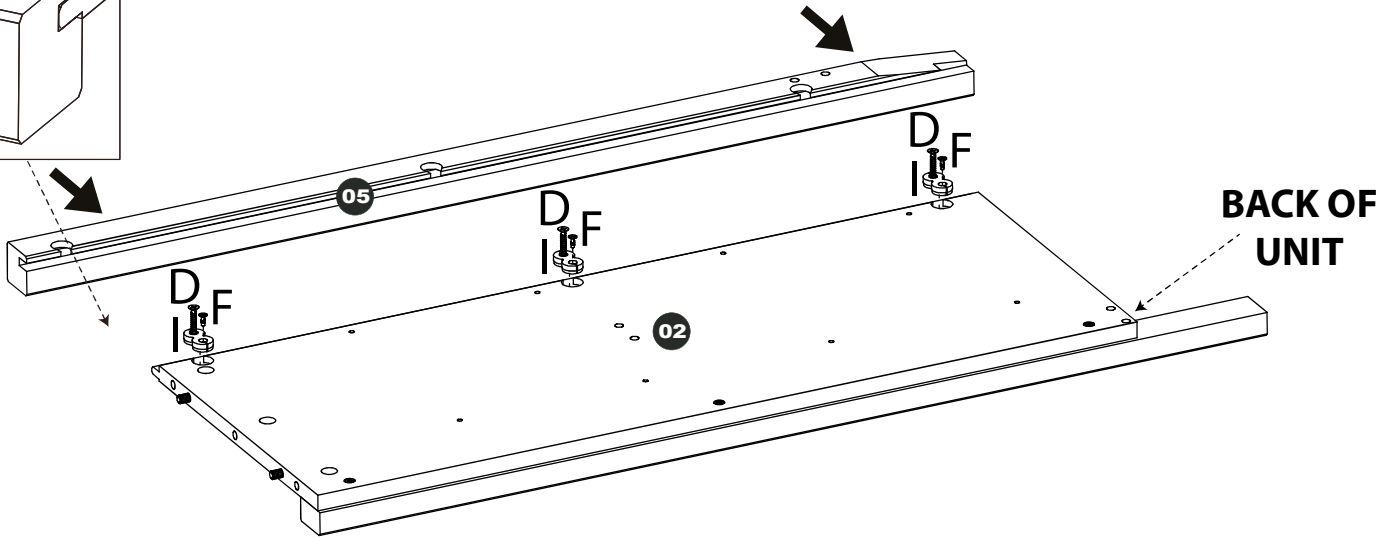
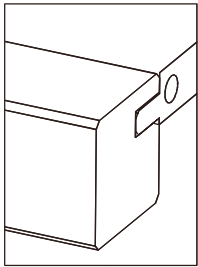
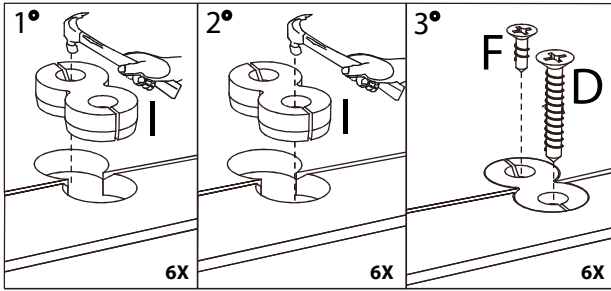


3.5x30mm

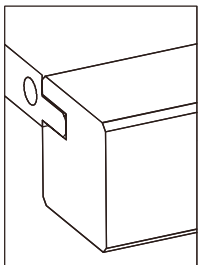
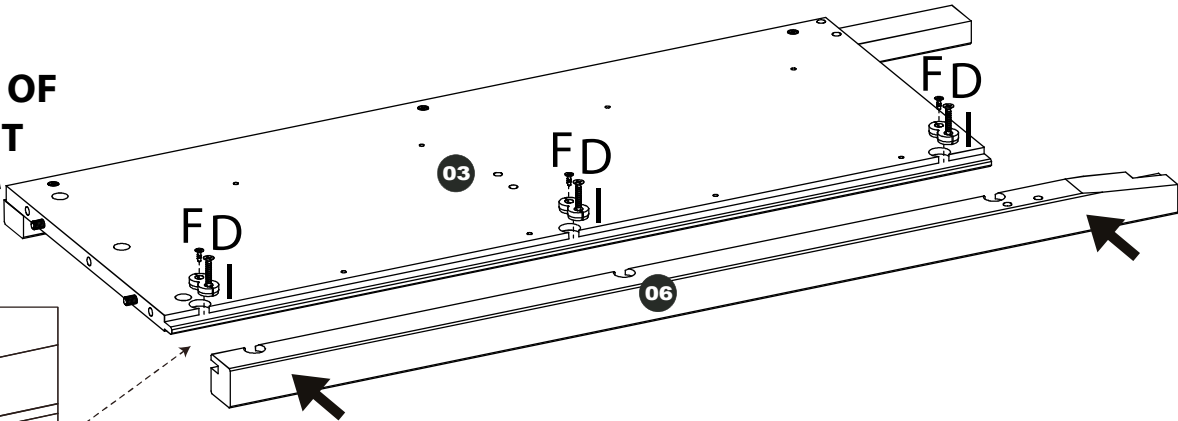


3 ATTACH SIDE PANELS AND FRONT FEET

FIT FOOT SIDE THROUGH CHANNEL, TAKE CARE OF FOOT DIRECTION, INSERT PART I AND FIX WITH PARTS D AND F AS SHOWN.

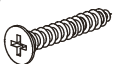


BACK OF UNIT



D = 06

Screw



4.0x30mm

F = 06

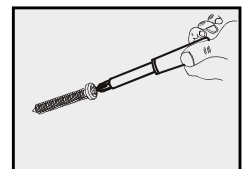
Screw



4.0x12mm

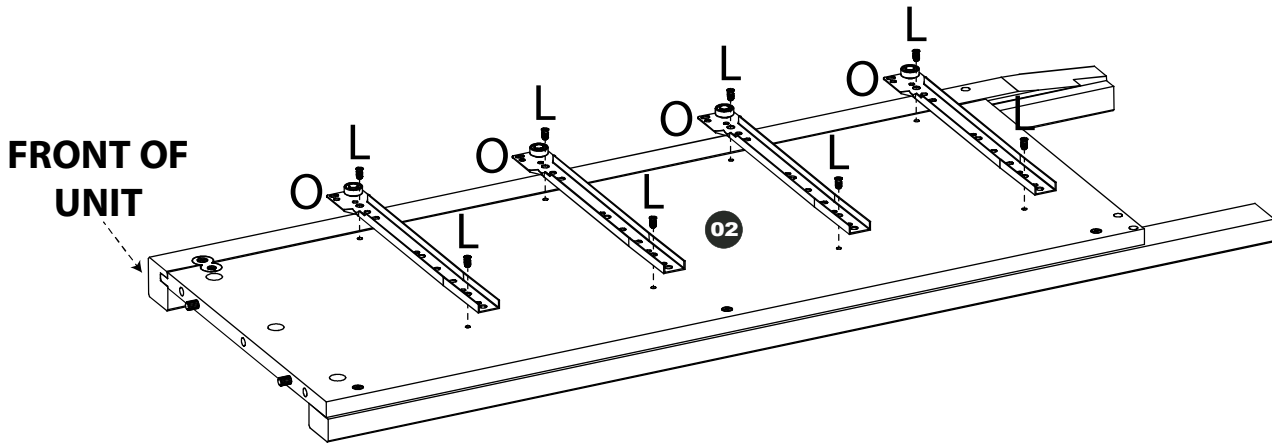
I = 06


ZirFix



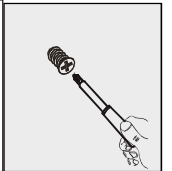
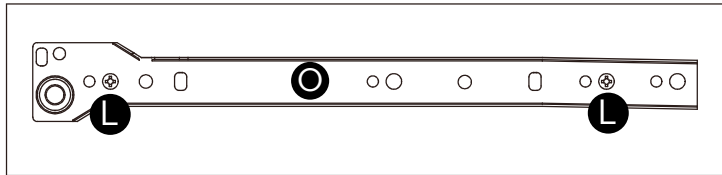
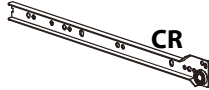
4 ATTACH DRAWER RUNNERS ON THE CABINET RIGHT SIDE PANEL

WITH THE WHEEL END OF THE RUNNER TOWARD THE FRONT (FINISHED) EDGE OF THE PANEL, ALIGN THE PRE-DRILLED HOLE ACCORDING TO THE DIAGRAM AND TIGHTEN WITH PART L.



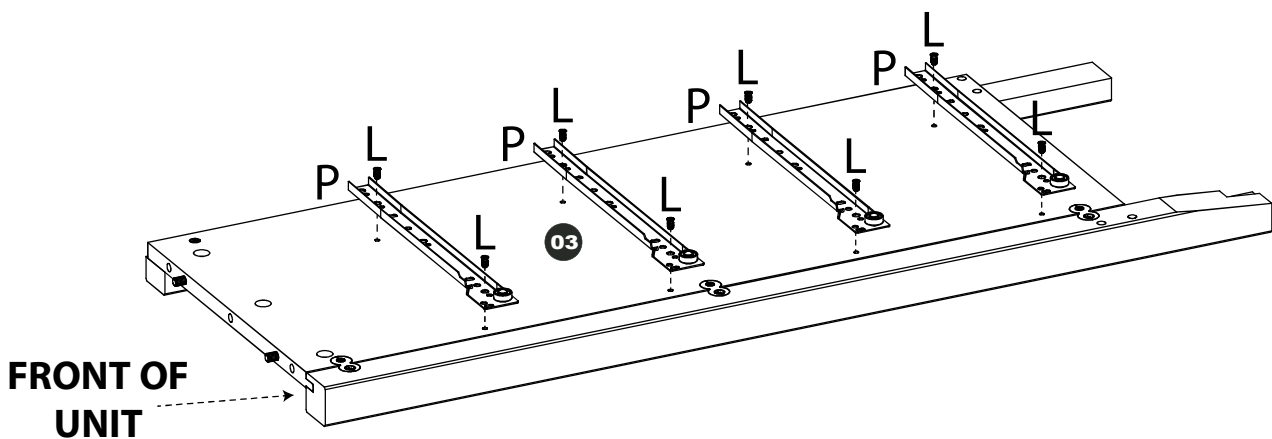
L = 08
Screw (Drawer Runner
to Side Panel)

6.0x10mm


O = 04 (Right Side)
Cabinet Right



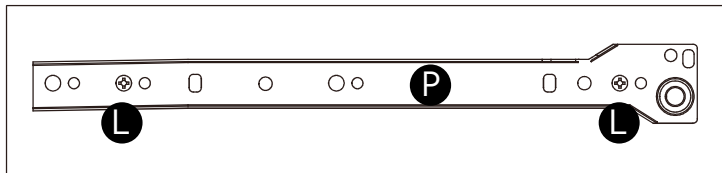
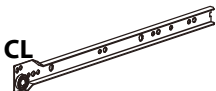
5 ATTACH DRAWER RUNNERS ON THE CABINET LEFT SIDE PANEL

WITH THE WHEEL END OF THE RUNNER TOWARD THE FRONT (FINISHED) EDGE OF THE PANEL, ALIGN THE PRE-DRILLED HOLE ACCORDING TO THE DIAGRAM AND TIGHTEN WITH PART L.



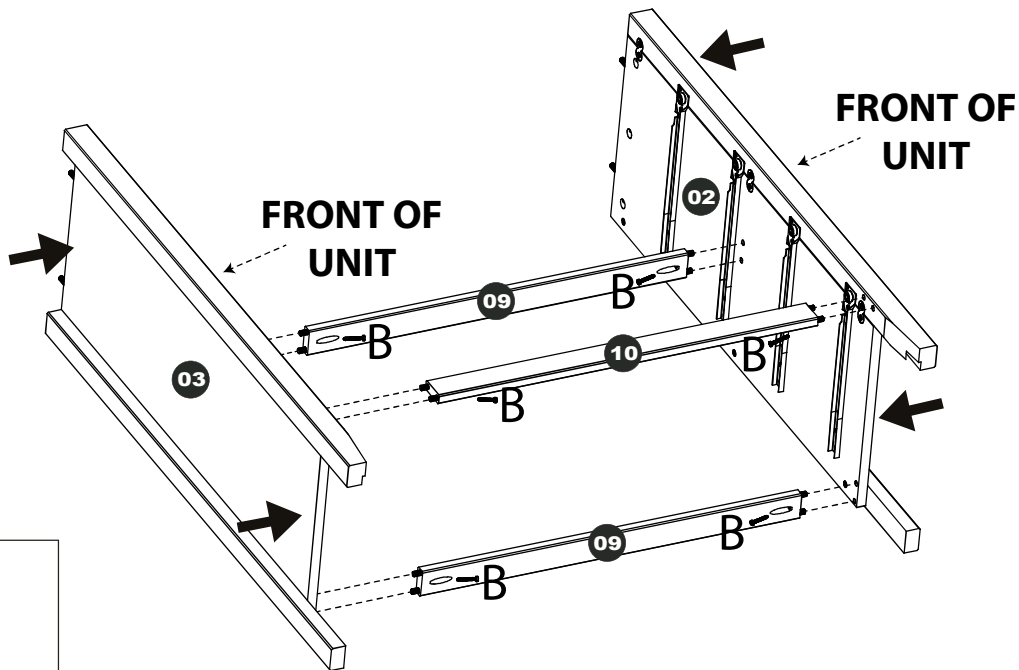
L = 08
Screw (Drawer Runner
to Side Panel)

6.0x10mm

P = 04 (Left Side)
Cabinet Left



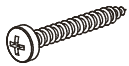
6 ATTACH CROSSBARS TO THE SIDE PANELS

1. ALIGN THE DOWELS IN THE CROSSBARS WITH THE DOWEL HOLES IN THE RIGHT SIDE PANEL. THEN PUSH PARTS TOGETHER UNTIL FLUSH.
2. SECURE EACH CROSSBAR WITH ONE PART B.
3. REPEAT THE PROCESS ON THE LEFT SIDE.



B = 06

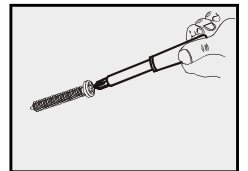
Screw



3.5x30mm

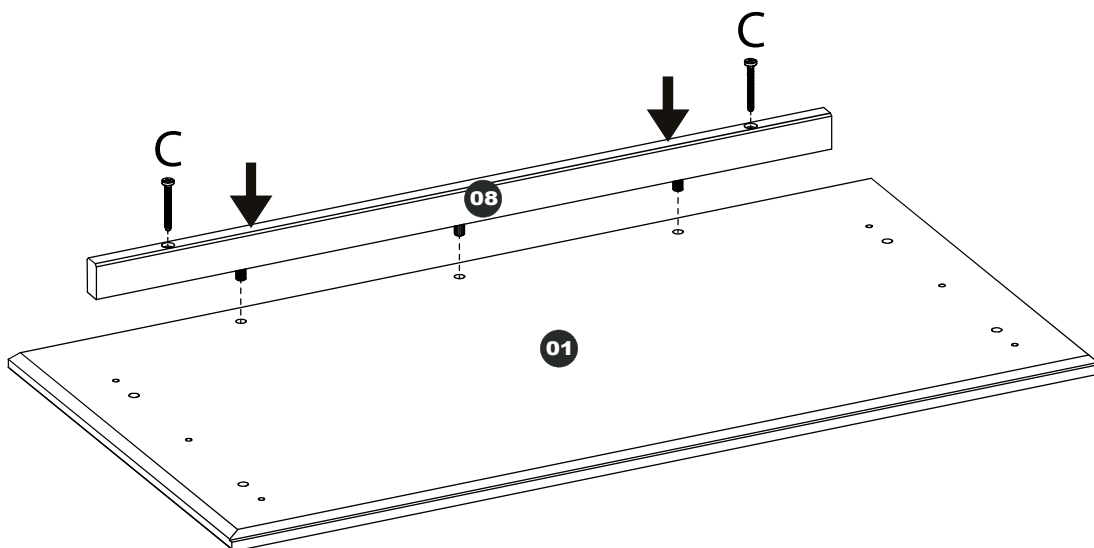


TIP: This step is easier with two people.



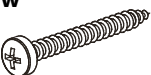
7 ATTACH RAIL TO THE TOP PANEL

ATTACH FRONT CROSSBAR IN THE TOP PANEL USING THE PART C.

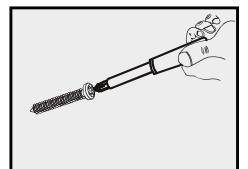


C = 02

Screw



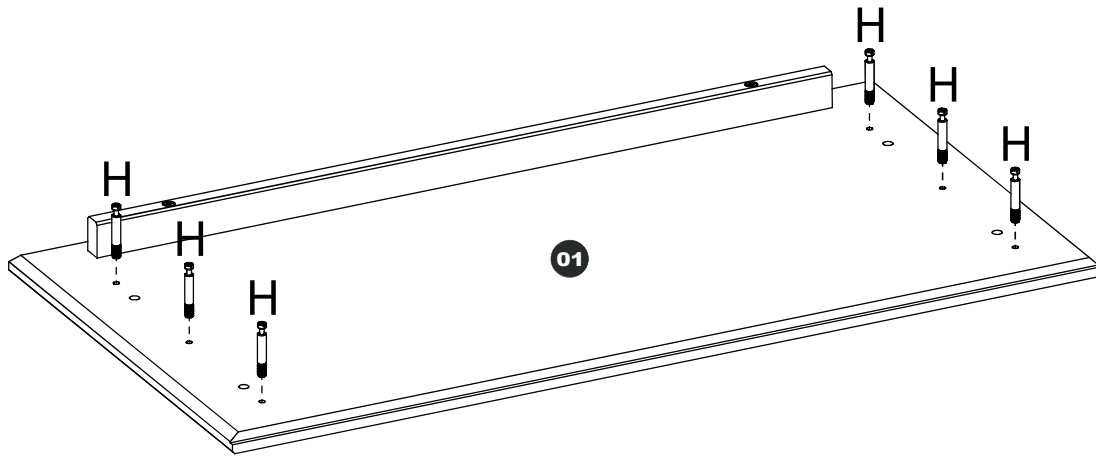
4.0x40mm



8

ATTACH MINIFIX TO THE TOP PANEL

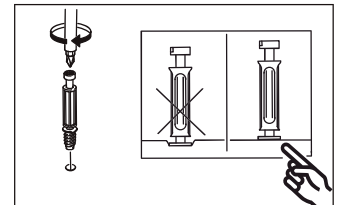
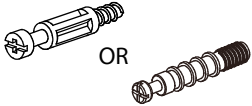
CAREFULLY CHECK THE HOLES INDICATED AND FIX PART H AS SHOWN.



DO NOT FORCE OR OVER-TIGHTEN THE SCREWS. DOING SO CAN DIFICULT THE ASSEMBLE

H = 06

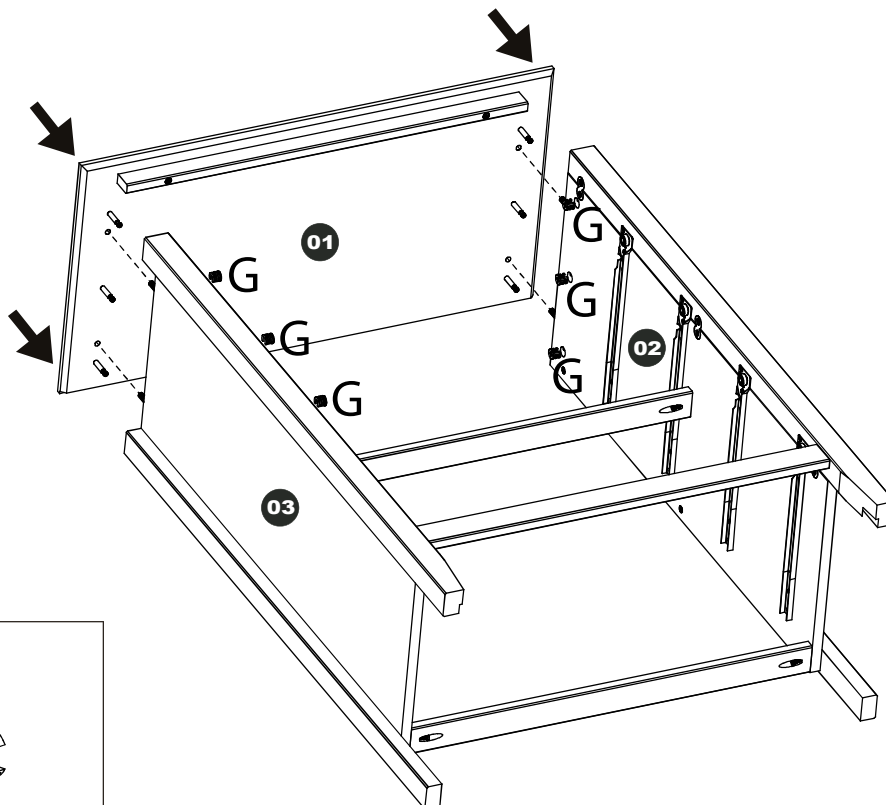
Minifix Screw



9

ATTACH THE TOP PANEL WITH SIDE PANELS

ALIGN THE DOWELS AND MINIFIX IN THE SIDE PANELS WITH THE PRE-DRILLED HOLES IN THE TOP PANEL, THEN THEY SHOW THE TOP OF MINIFIX IN THE HOLES ON THE SIDE, INSERT PART G AND PRESS AS SHOWN IN THE DIAGRAM.

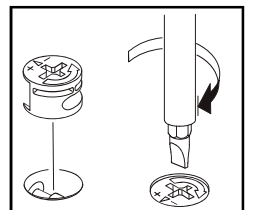


G = 06

Cam lock



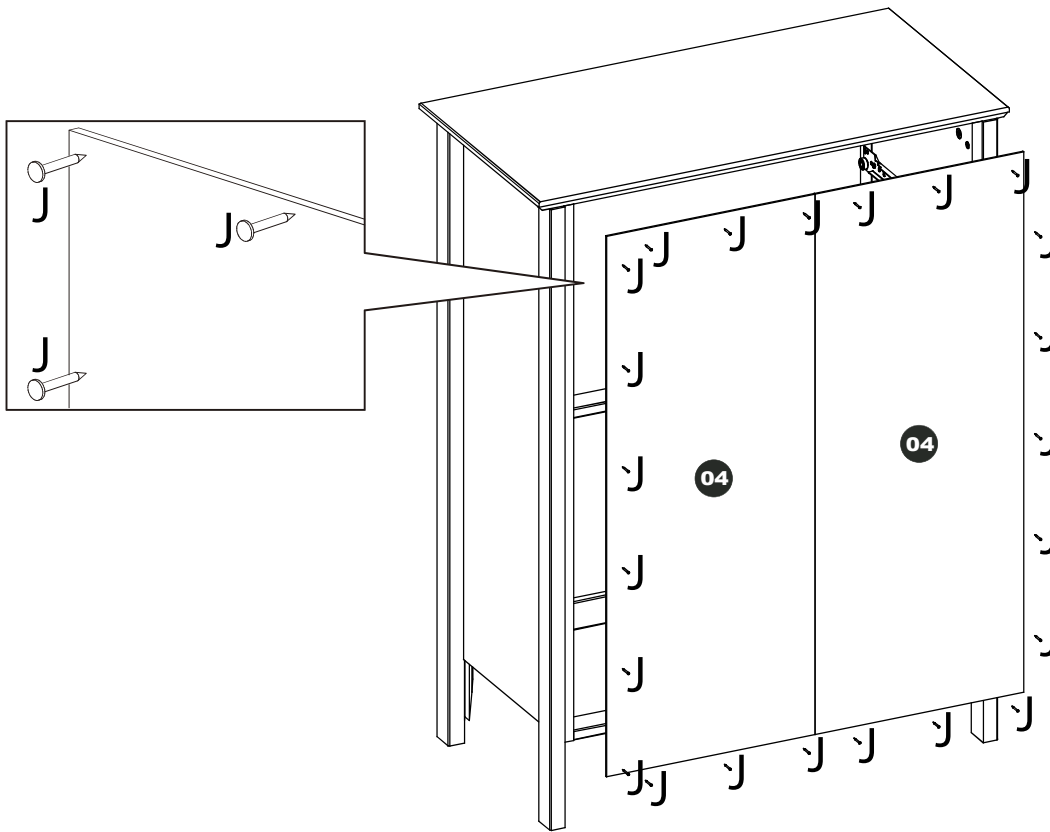
TIP: Turning the unit upside down provides a better angle to tighten the screws.



10

ATTACH THE BACK PANEL

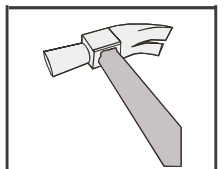
1. UNFOLD THE BACK PANEL AND POSITION IT ON THE UNIT.
2. MAKE SURE THE BACK PANEL FITS INTO THE GROOVE ON THE BACK OF THE TOP PANEL.
3. SECURE THE BACK PANEL WITH THE BACK PANEL NAILS OBSERVING THE SQUARE.



Use all back panels nails. Evenly spaced, they help make the unit strong.

J = 23

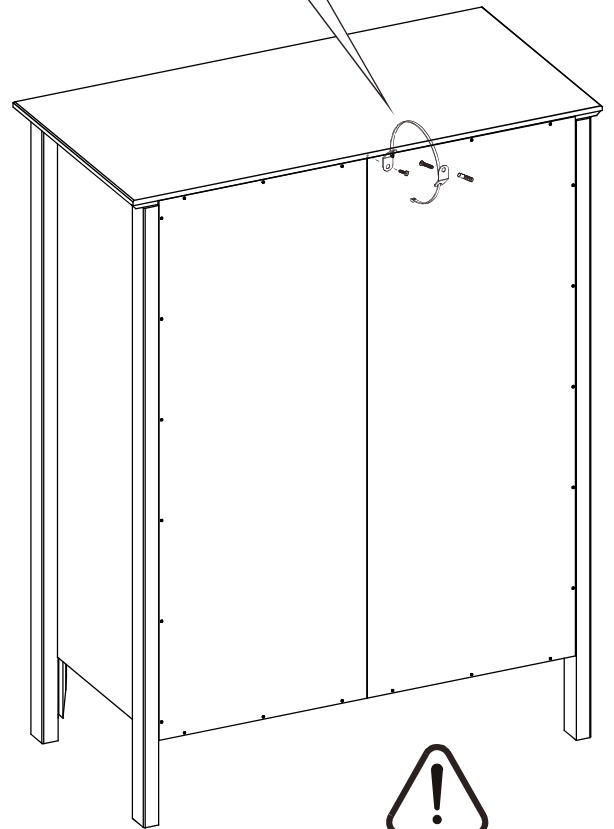
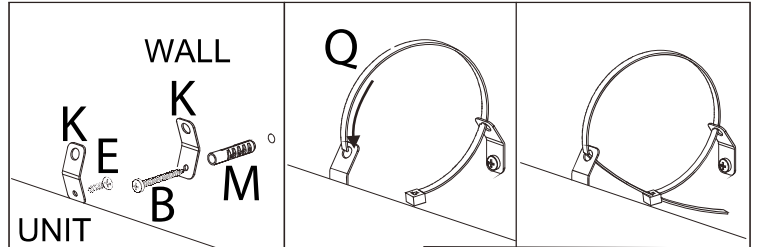
Back Panel Nail



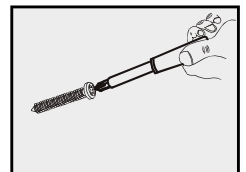
11 SECURE THE UNIT TO THE WALL WITH THE ANTI-TIP KIT

1. INSERT THE ANCHOR INTO THE WALL APPROXIMATELY 996MM (39,2IN) FROM THE FLOOR (ADJUST FOR CARPET OR RUG THICKNESS IF APLICABLE).
2. FEED PART B THROUGH THE SMALLER HOLE IN THE BRACKET AND SECURE INTO THE WALL ANCHOR. THE OTHER END OF THE BRACKET SHOULD BE UPWARD.
3. FEED PART E THROUGH THE SMALLER HOLE IN THE OTHER BRACKET AND SECURE THROUGH THE BACK PANEL AND INTO THE CENTER OF THE TOP PANEL. THE OTHER END OF THE BRACKET SHOULD BE UPWARD.
4. FEED THE STRAP THROUGH THE LARGER HOLE IN THE WALL BRACKET FROM UNDERNEATH. BRING THE STRAP OVER TO THE UNIT BRACKET AND THROUGH THE HOLE FROM ABOVE.
5. INSERT THE POINTED END OF THE STRAP INTO THE CLASP END OF THE STRAP AND TIGHTEN DOWN.

SEE THE ENLARGED DIAGRAMS TO ENSURE PROPER INSTALLATION.



- The wall anchor supplied is for a masonry wall only.
- Make sure the plug you use is correct for your wall type.
- If you have any doubt, seek professional advice.

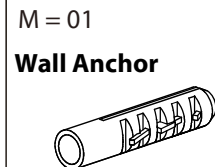
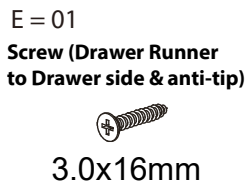
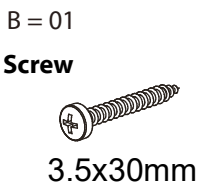


WARNING

SERIOUS OR FATAL CRUSHING INJURIES CAN OCCUR FROM FURNITURE TIP-OVER. TO AVOID TIP-OVER:

- PLACE HEAVIEST ITEMS IN THE LOWEST DRAWERS.
- UNLESS SPECIFICALLY DESIGNED TO ACCOMODATE, DO NOT SET TV'S OR OTHER HEAVY OBJECTS ON TOP OF THIS PRODUCT.
- NEVER ALLOW CHILDREN TO CLIMB OR HANG ON DOORS, DRAWERS OR SHELVES.
- NEVER OPEN MORE THAN ONE DRAWER AT A TIME.
- KEEP REMOTE CONTROLS, TOYS AND OTHER ITEMS THAT MAY ATTRACT CHILDREN OFF OF THIS PRODUCT.

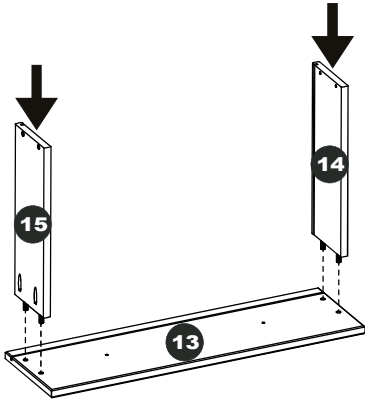
USE OF TIP-OVER RESTRAINTS MAY ONLY REDUCE, BUT NOT ELIMINATE, THE RISK OF TIP-OVER.



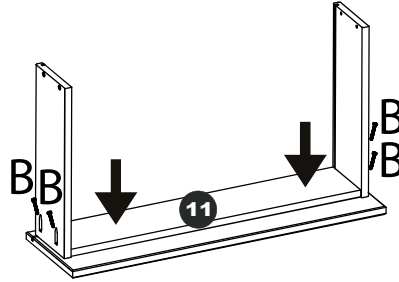
12

ASSEMBLE 4X DRAWER BOX

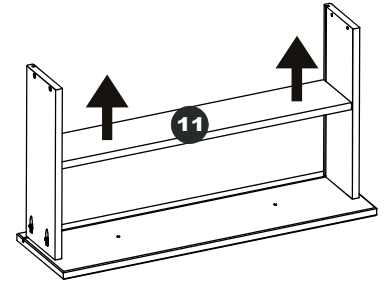
IMPORTANT: MAKE SURE THE GROOVES IN THE DRAWER FRONT AND BOTH SIDES ALL ALIGN BEFORE TIGHTENING THE SCREWS.



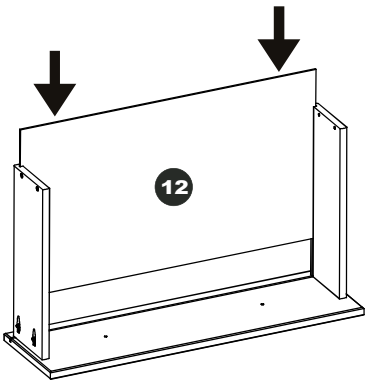
1. ALIGN THE DOWELS IN THE DRAWER SIDES WITH THE PRE-DRILLED HOLES IN THE DRAWER FRONT AND PUSH UNTIL THE PARTS ARE FLUSH.



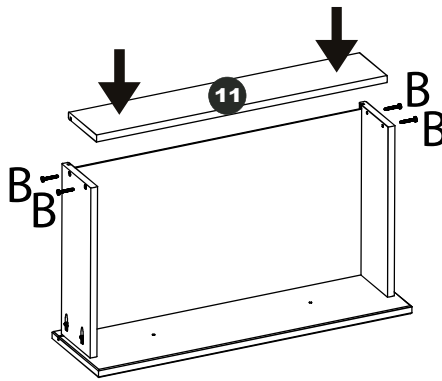
2. USE THE DRAWER BACK TO SUPPORT THE DRAWER SIDES. THEN SECURE THEM TO THE DRAWER FRONT.



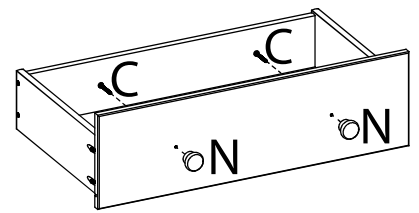
3. REMOVE THE DRAWER BACK.



4. SLIDE IN THE DRAWER BOTTOM. MAKE SURE IT IS ALL THE WAY FORWARD & IN THE GROOVE ON THE DRAWER FRONT.



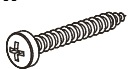
5. MAKE SURE THE DRAWER BOTTOM IS IN THE GROOVE IN THE DRAWER BACK AND THE DRAWER BACK IS FLUSH WITH THE DRAWER SIDES. SECURE WITH 2 PART C ON EACH SIDE.



6. ATTACH THE KNOBS TO THE DRAWER FRONT.

B = 32

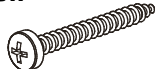
Screw



3.5x30mm

C = 08

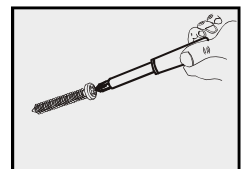
Screw



4.0x40mm

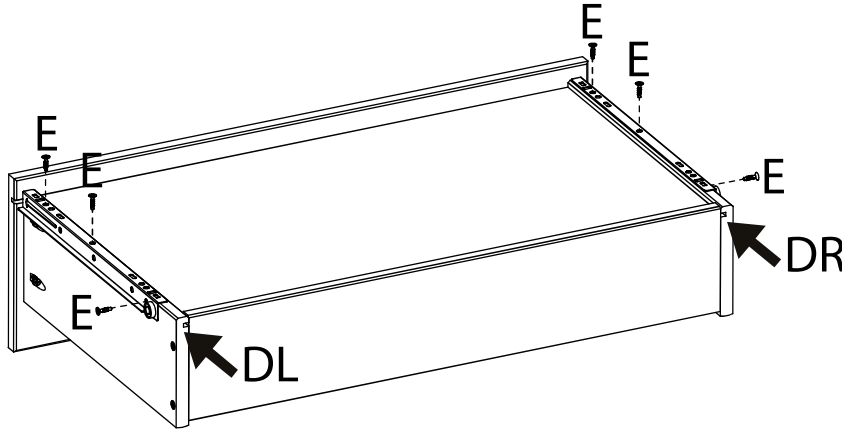
N = 08

Knob


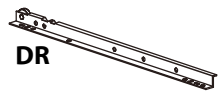
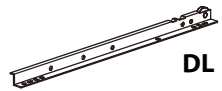


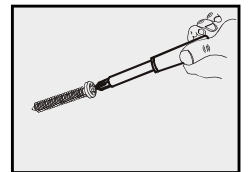
13 ATTACH 4X DRAWER RUNNERS

1. POSITION THE RIGHT DRAWER RUNNER "DR" WITH THE WHEEL TOWARD THE BACK OF THE DRAWER AND THE FRONT END ALL THE WAY FORWARD TOUCHING THE DRAWER FRONT.
2. FIRST SCREW GOES IN THE THIRD HOLE BACK FROM THE DRAWER FRONT.
3. SECOND SCREW GOES IN THE FIFTH BACK HOLE FROM THE DRAWER FRONT.
4. THIRD SCREW GOES IN FROM THE SIDE THROUGH THE FIRST HOLE IN FRONT OF THE WHEEL.
5. REPEAT THE PROCESS ON THE LEFT SIDE AND FOR EACH DRAWER.



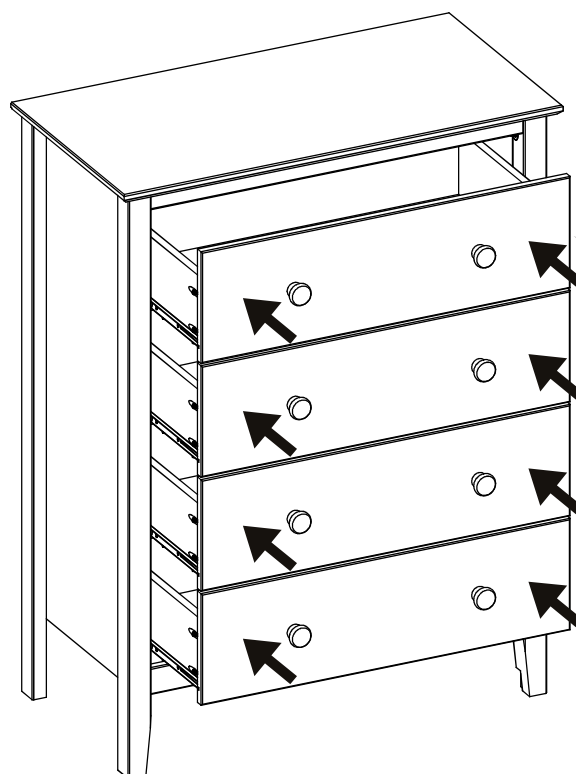
TIP: To make this step easier, place the drawer upside down on a counter with the drawer front hanging off the edge. This will allow the drawer box to lay flat and provide better control for tightening the screws.

E = 24 Screw (Drawer Runner to Drawer side & anti-tip)  3.0x16mm	O = 04 (Right Side) Drawer Right Runner  DR	P = 04 (Left Side) Drawer Left Runner  DL
-------------------------------------------------------------------------------------------------------------------------------------------------------------	-----------------------------------------------------------------------------------------------------------------------------------------------	---------------------------------------------------------------------------------------------------------------------------------------------



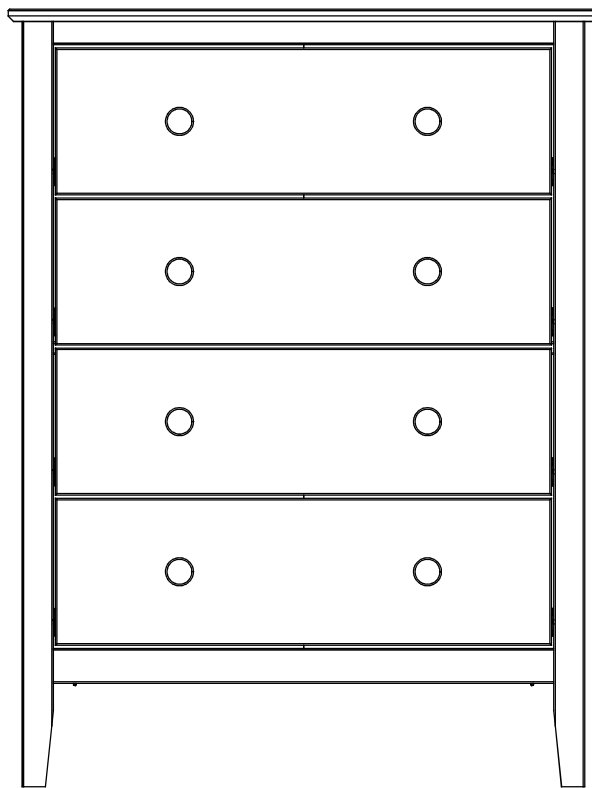
14 INSERT THE DRAWERS IN THE UNIT

1. START AT THE BOTTOM AND WORK UP.
2. HOLDING THE FRONT END OF THE DRAWER SIDES, TILT THE BACK OF THE DRAWER UPWARDS TO GET THE WHEELS ON THE DRAWER PAST THE WHEELS ON THE UNIT. ONCE THE WHEELS ARE CLEAR, LEVEL OUT THE DRAWER AND SLIDE IT IN.



DO NOT STORE HEAVY ITEMS IN THE TOP DRAWERS. HEAVIER ITEMS SHOULD BE STORED IN THE LOWER DRAWERS TO REDUCE THE POSSIBILITY OF TIP-OVER.

**COMPLETED ASSEMBLY:
THANK YOU FOR YOUR PURCHASE, AND WELCOME TO ADEPTUS!**



CARE INSTRUCTIONS:

NORMAL USE: WIPE WITH A CLEAN CLOTH.

WHEN NEEDED TO CLEAN SCUFFS: WIPE CLEAN WITH A SLIGHTLY DAMP CLOTH AND A MILD CLEANSER. THEN WIPE DRY WITH A CLEAN CLOTH. DO NOT USE HARSH CHEMICALS.

OCCASIONALLY CHECK THAT THE SCREWS IN THE UNIT REMAIN TIGHT.

USE:

CHEST OF DRAWERS FOR HOME STORAGE OF LINENS, CLOTHING AND ACCESSORIES.

