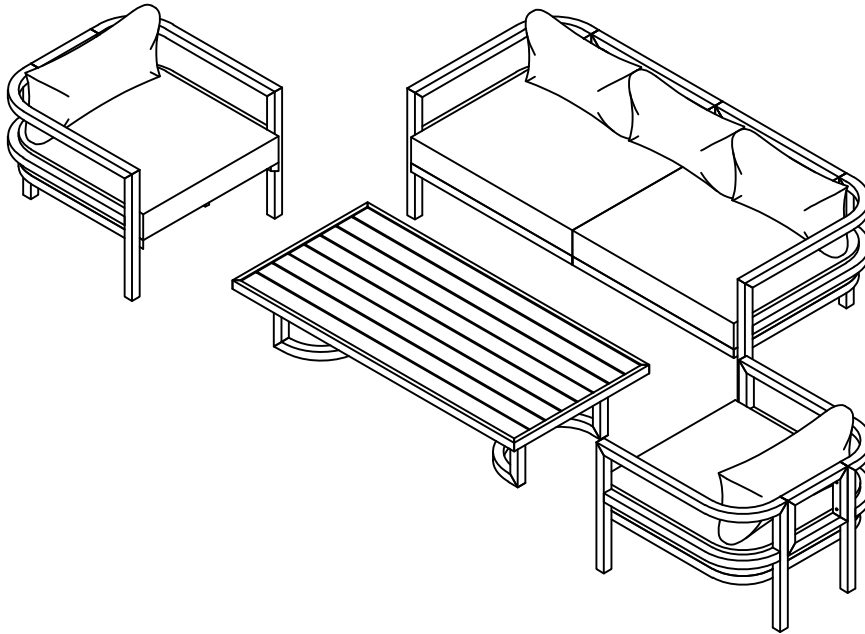


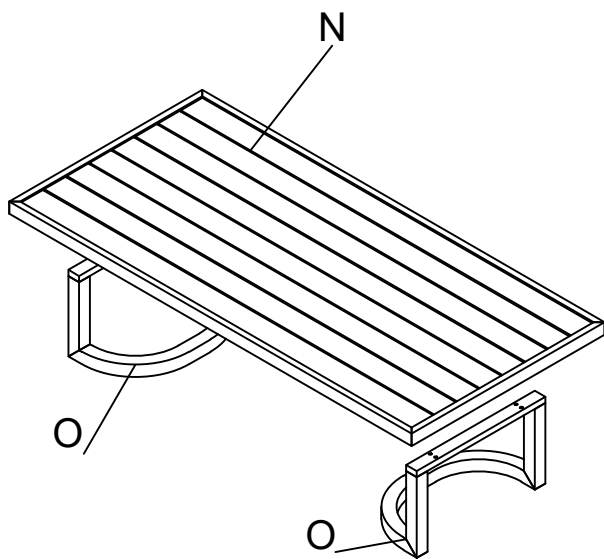
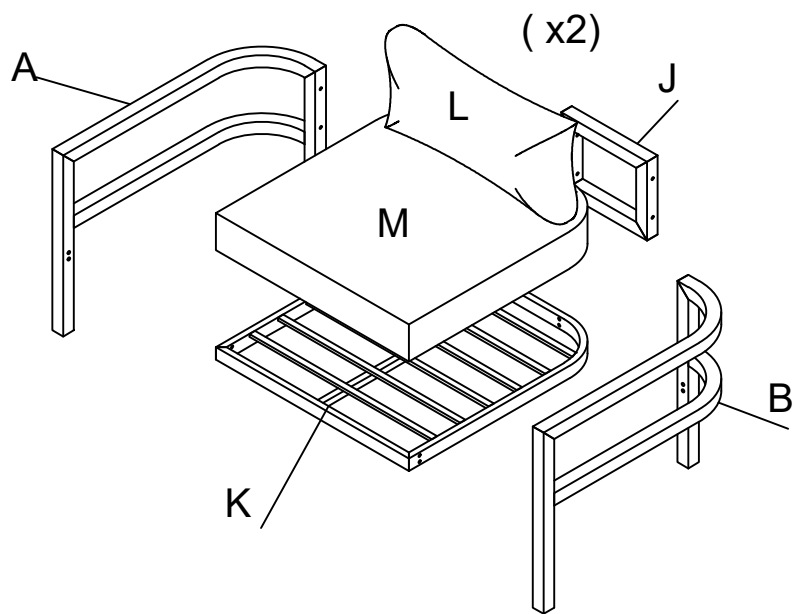
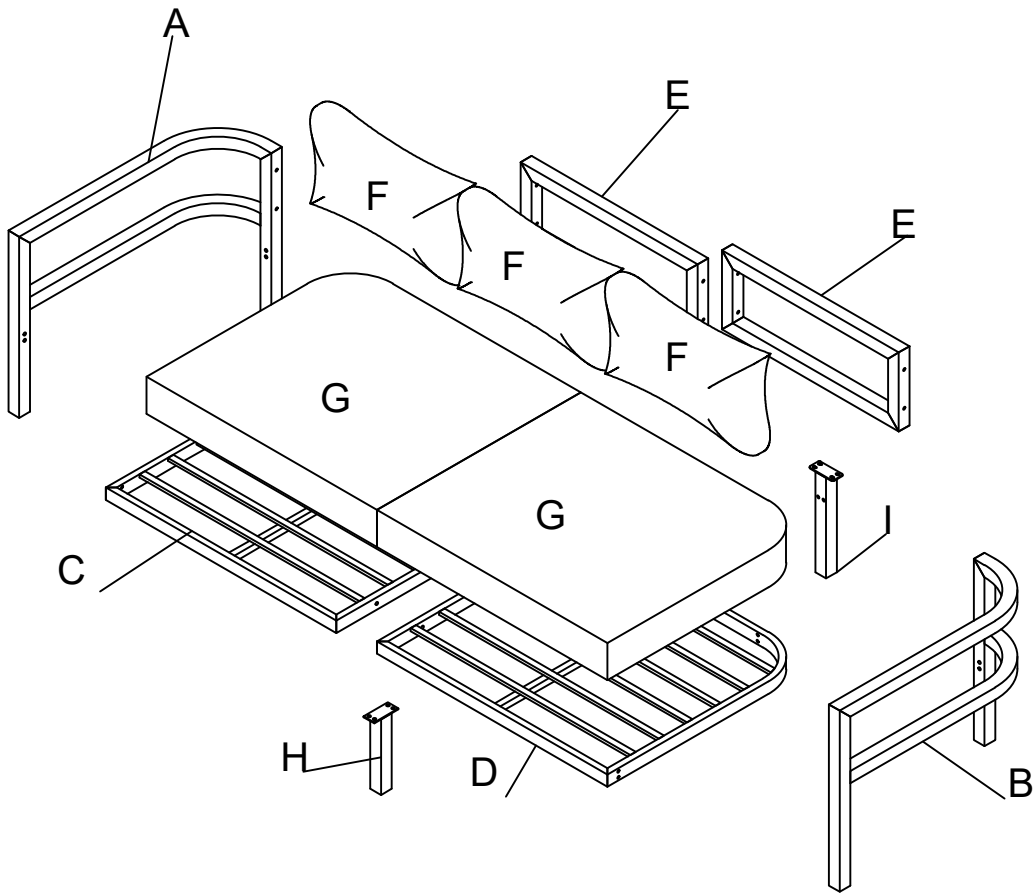
# ASSEMBLY INSTRUCTION

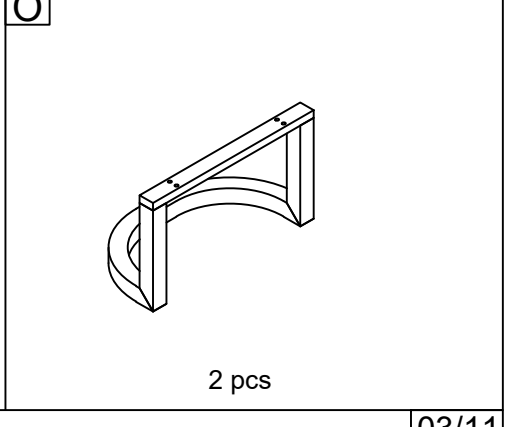
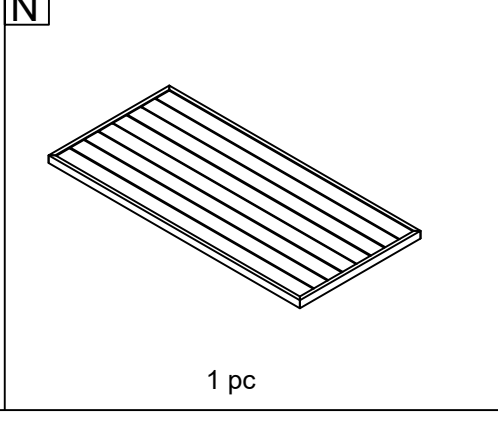
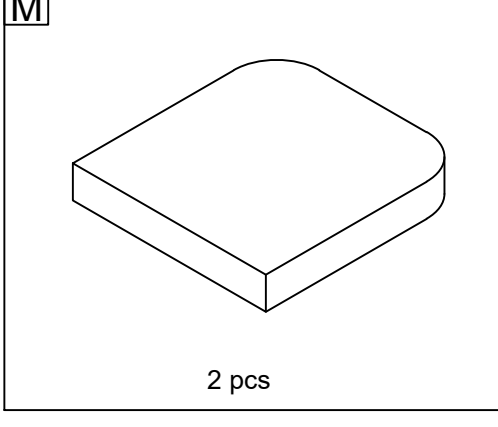
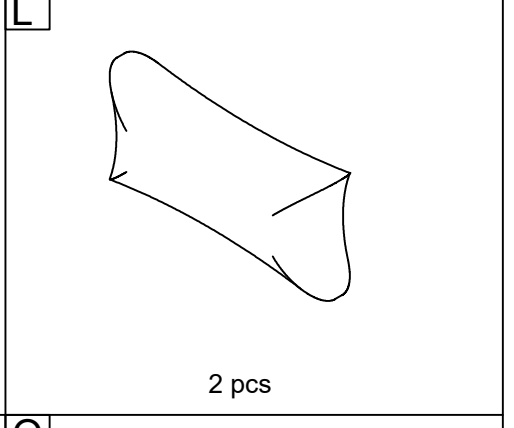
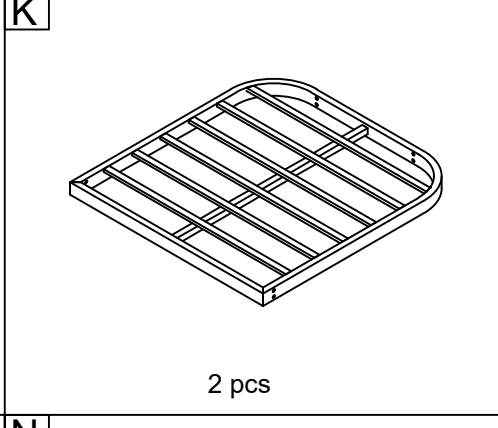
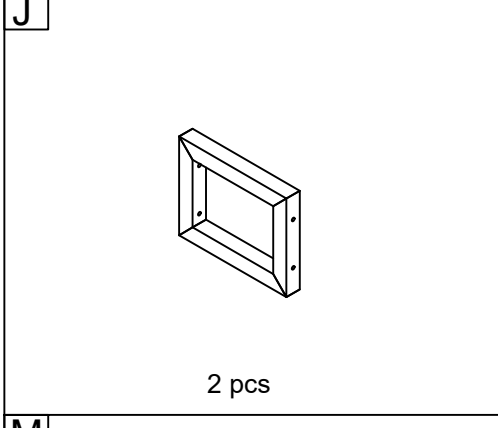
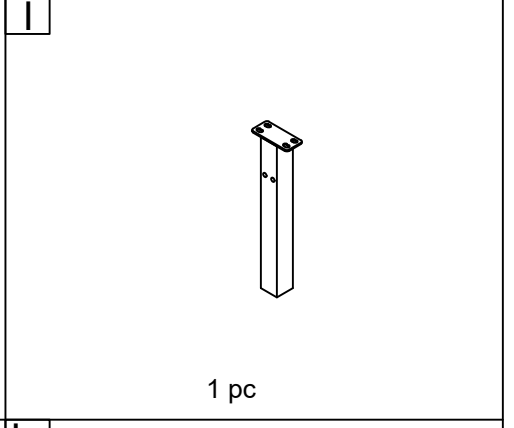
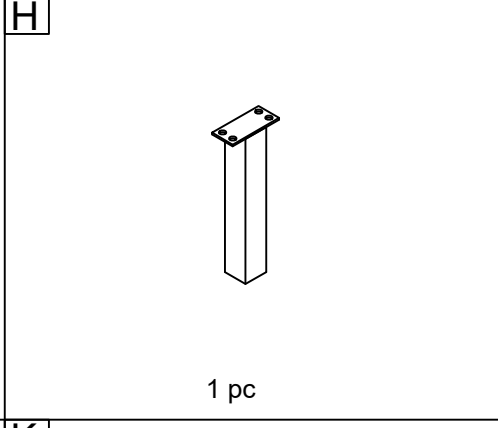
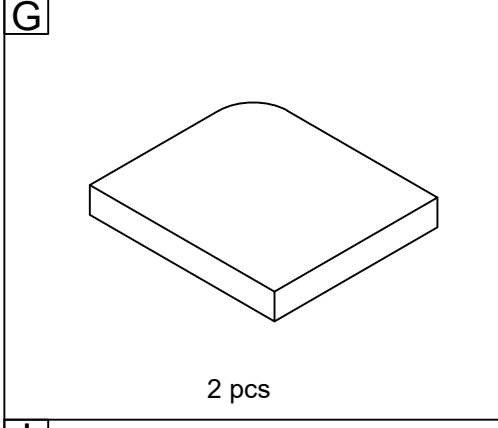
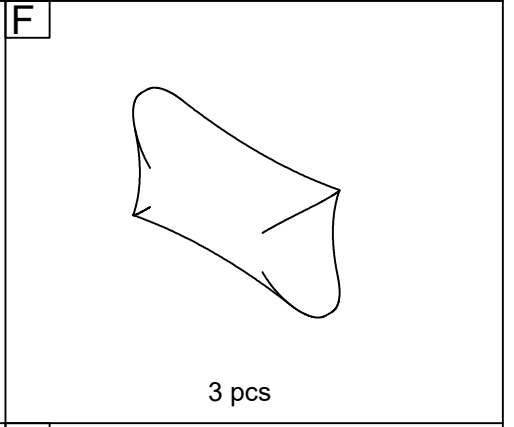
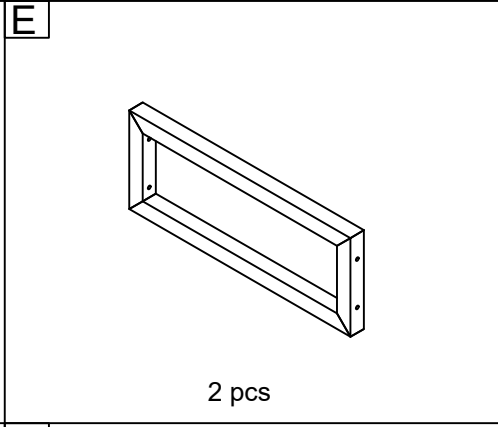
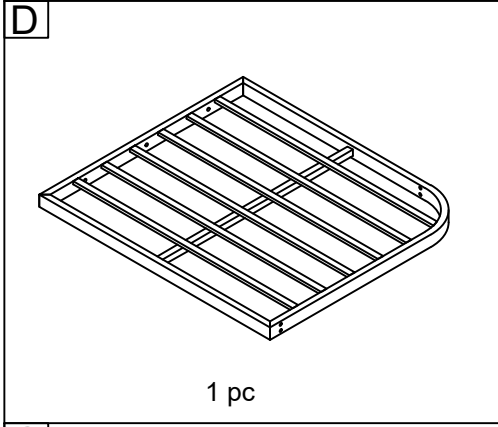
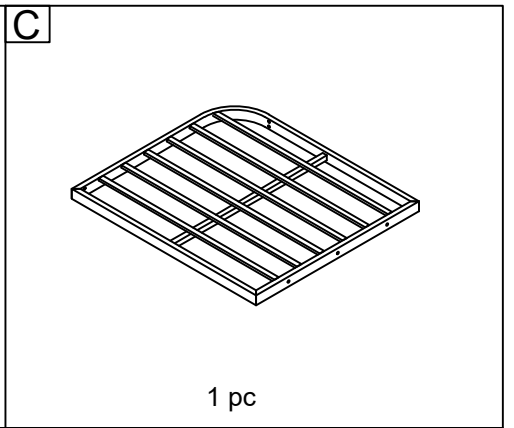
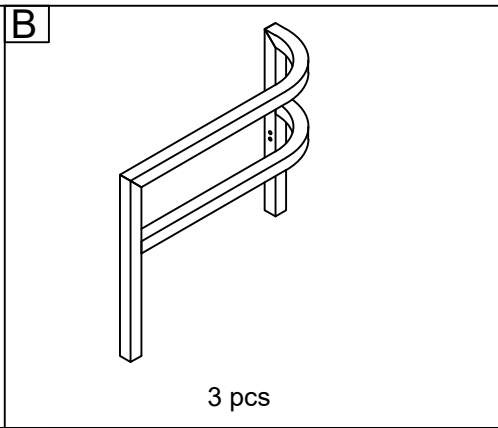
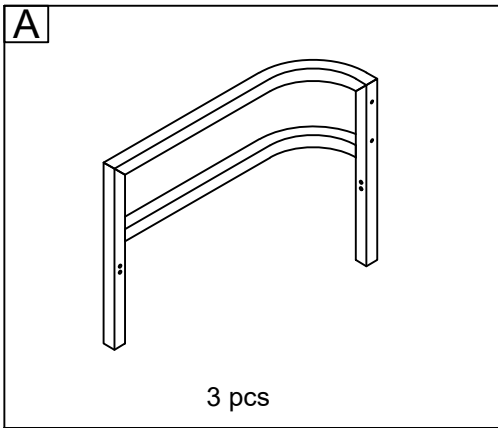
## 4 PIECE OUTDOOR SOFA SET



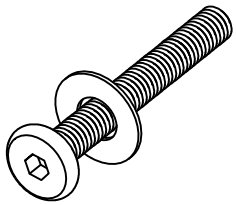
### Notice

- 1. 50% Tighten before fixings all screws, Allen wrench is recommended instead of an electric drill.**
- 2. Place the item on a flat ground to adjust and make sure it remains stable.**
- 3. Tighten up all screws with tools gradually.**
- 4. If the screws are not aligned with holes during assembly, please loosen all the other screws to 50% and continue the assembly process.**
- 5. If the item is not stable, please loosen all the screws, adjust it on a flat ground and tighten up all screws again.**
- 6. Note: If one or more screws are fully tightened during assembly, chances are the others will not be aligned with holes. In addition, all the holes are designed to be relatively larger to provide more space for the adjustment of the screws.**



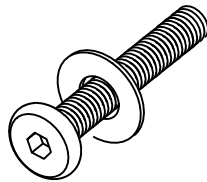


1



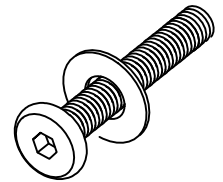
**Bolt M6x75 mm  
(2 pcs)+extra 1 pc**

2



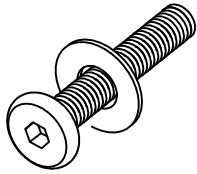
**Bolt M6x60 mm  
(12 pcs)+extra 1 pc**

3



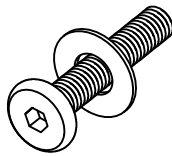
**Bolt M6x55 mm  
(5 pcs)+extra 1 pc**

4



**Bolt M6x40 mm  
(24 pcs)+extra 2 pcs**

5



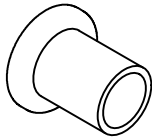
**Bolt M6x35 mm  
(8 pcs)+extra 1 pc**

6



**Bolt M6x15 mm  
(8 pcs)+extra 1 pc**

7



**(2 pcs)+extra 1 pc**

8



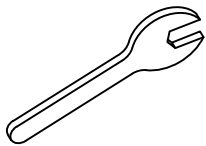
**Nut M6  
(3 pcs)+extra 1 pc**

9



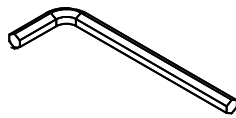
**Plastic feet (20 pcs)**

10

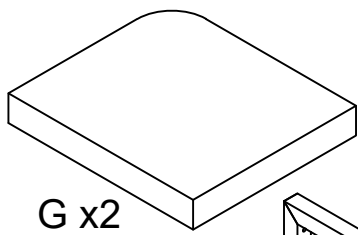


**Spanner (1 pc)**

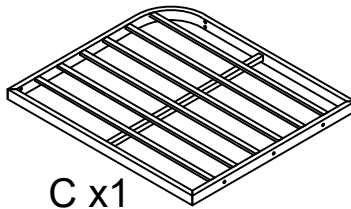
11



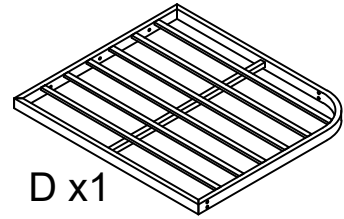
**Allen key M4 (2 pcs)**



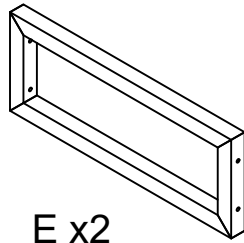
G x2



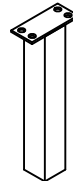
C x1



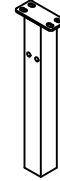
D x1



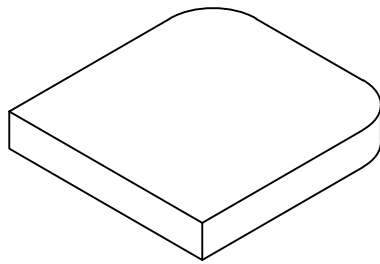
E x2



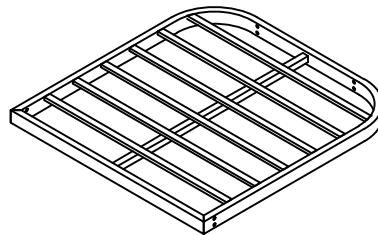
H x1



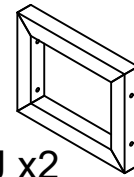
I x1



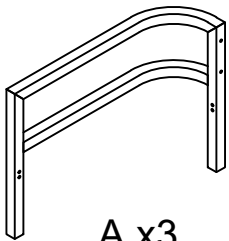
M x2



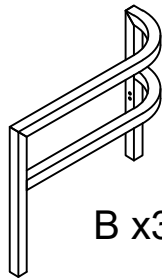
K x2



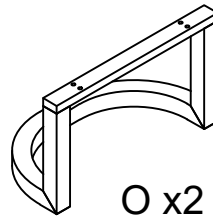
J x2



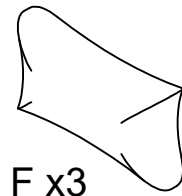
A x3



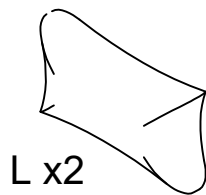
B x3



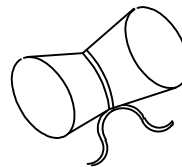
O x2



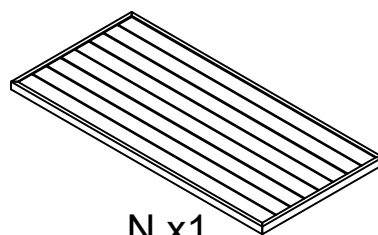
F x3



L x2

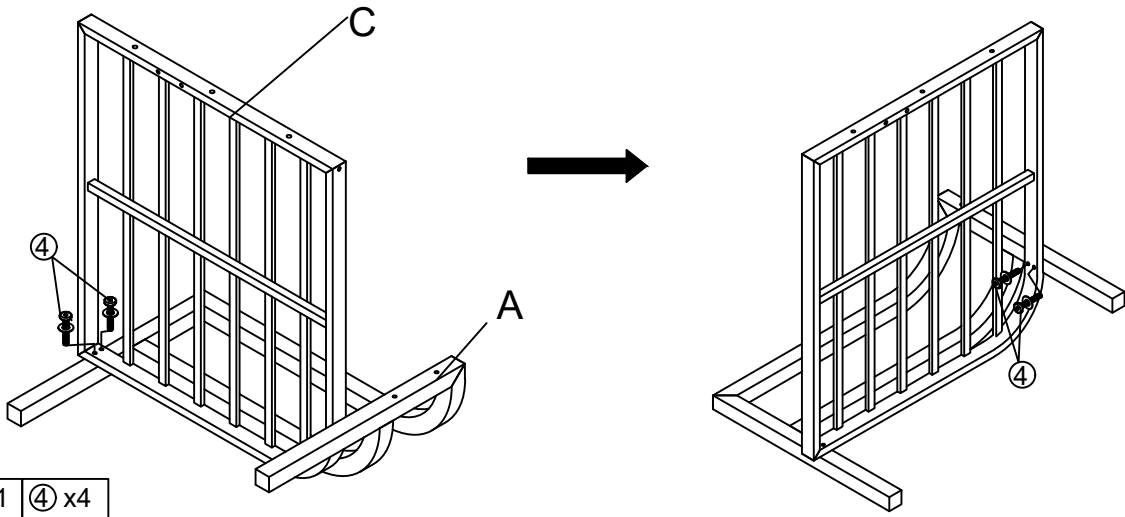


**HARDWARE**



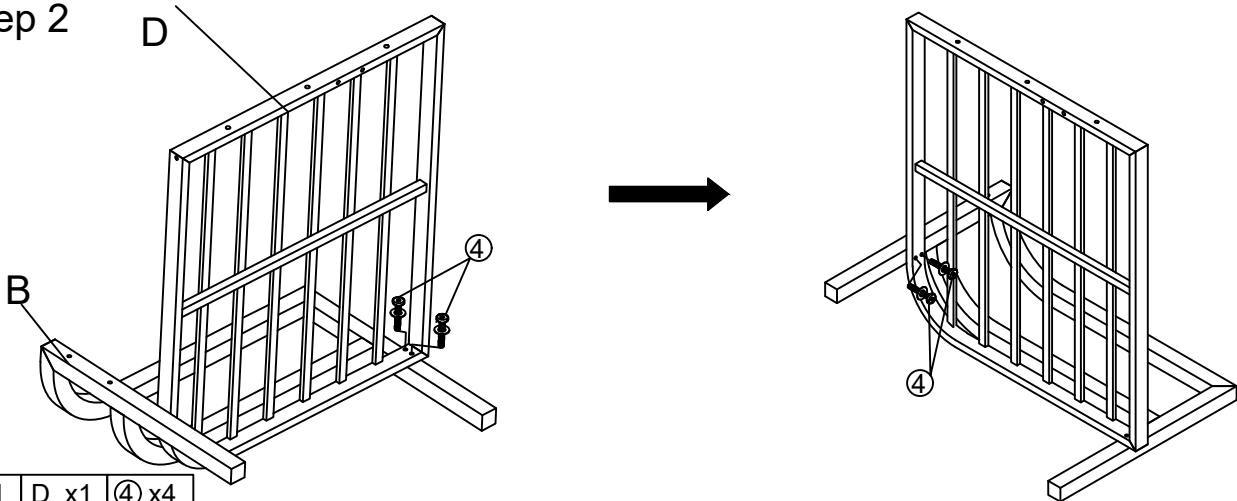
N x1

Step 1



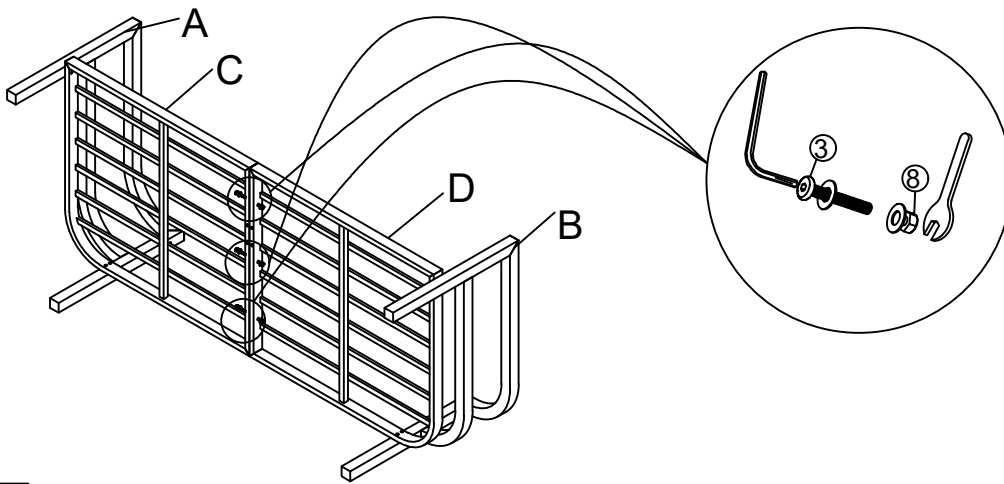
A x1 C x1 ④ x4

Step 2



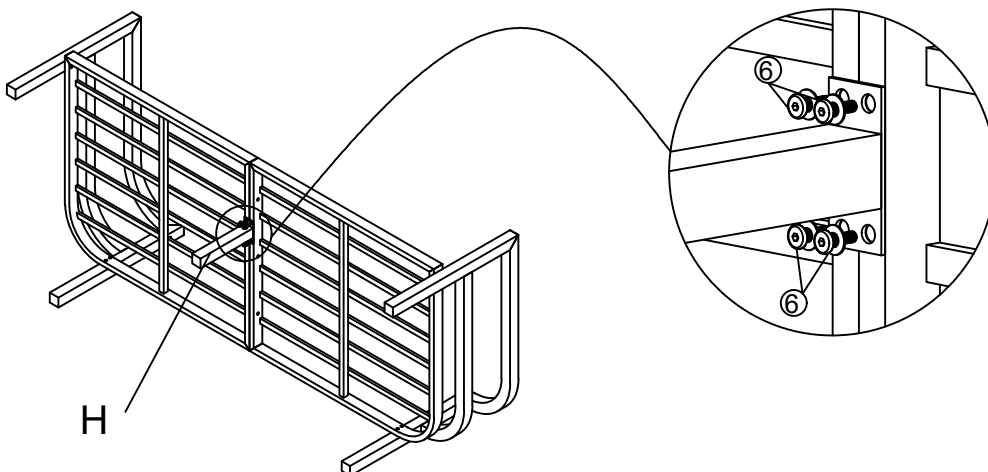
B x1 D x1 ④ x4

Step 3



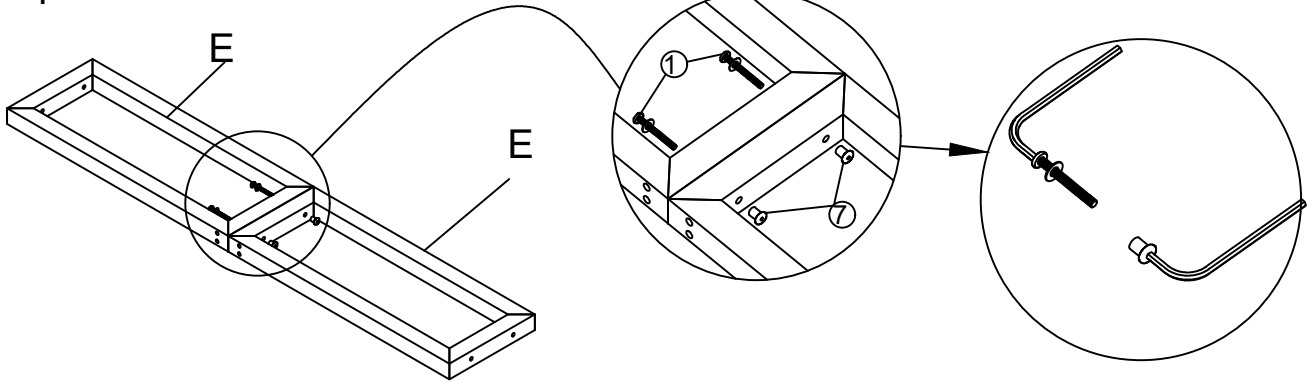
③ x3 ⑧ x3

Step 4



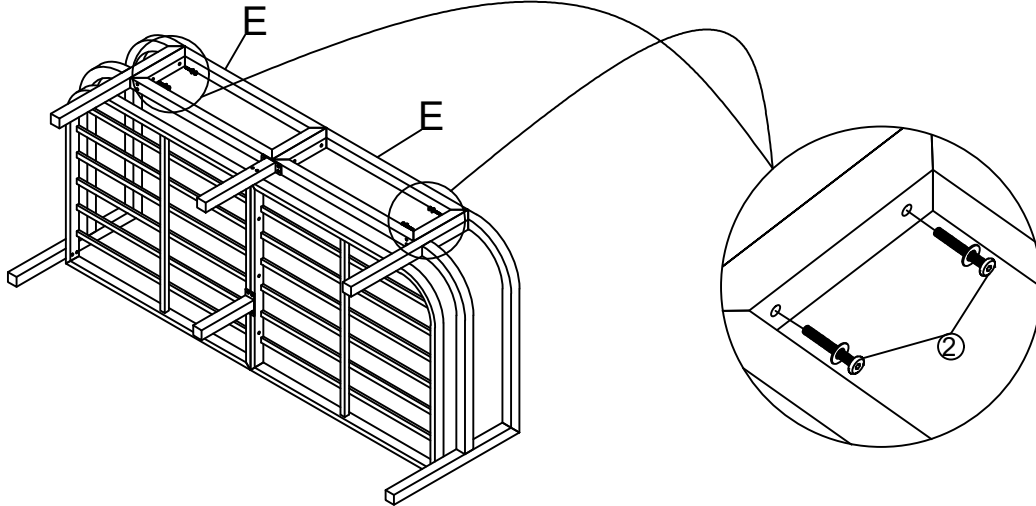
H x1 ⑥ x4

### Step 5



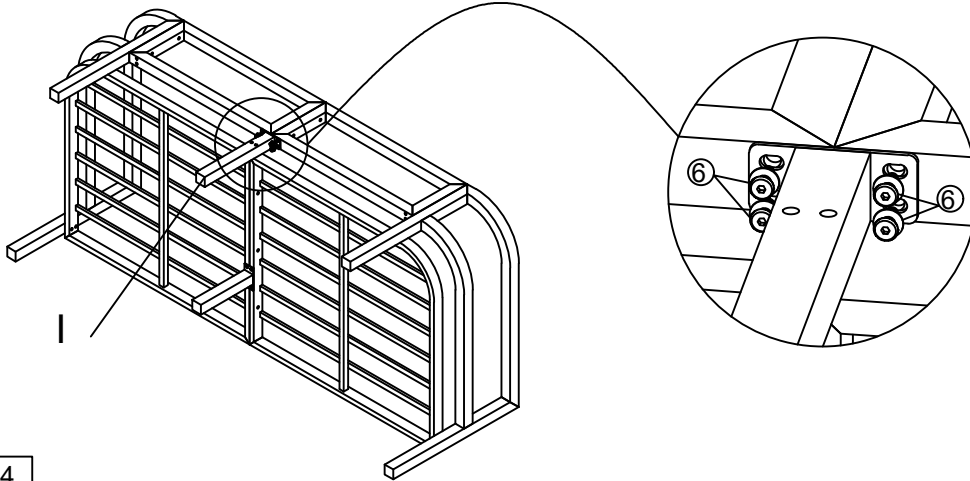
E x1 ① x2 ⑦ x2

### Step 6



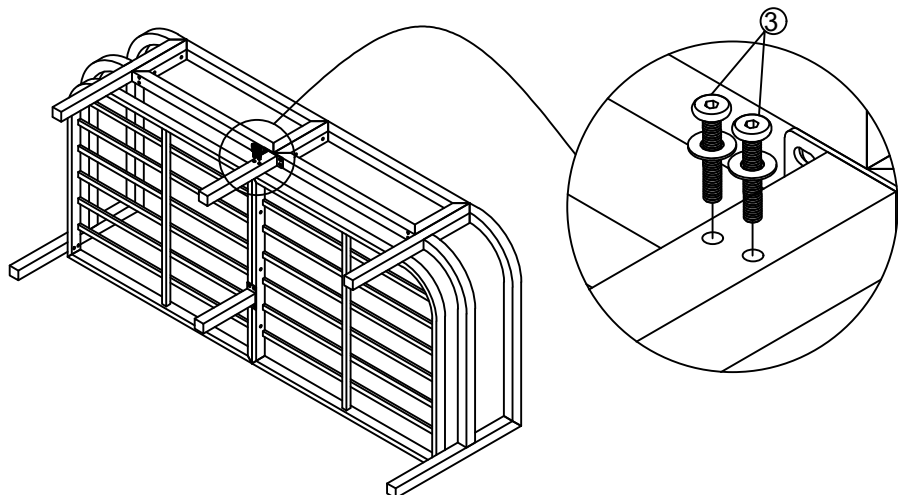
② x4

### Step 7



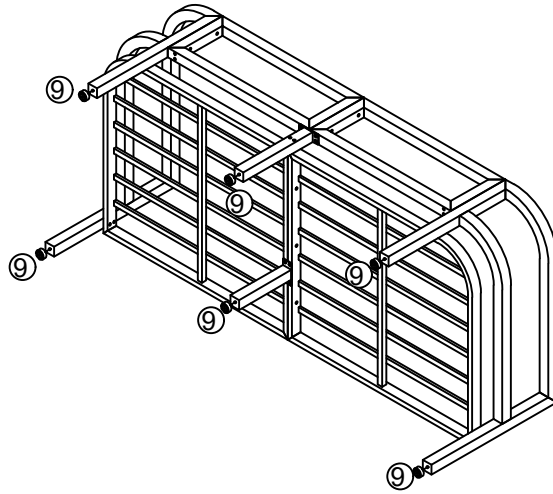
I x1 ⑥ x4

### Step 8



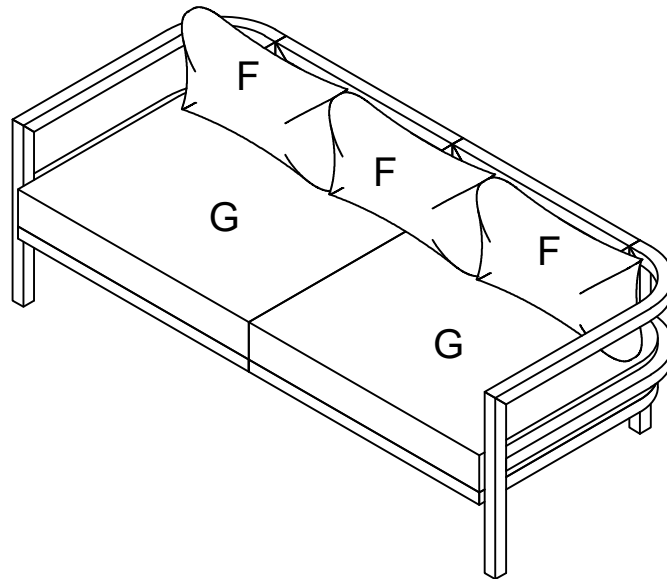
③ x2

# Step 9



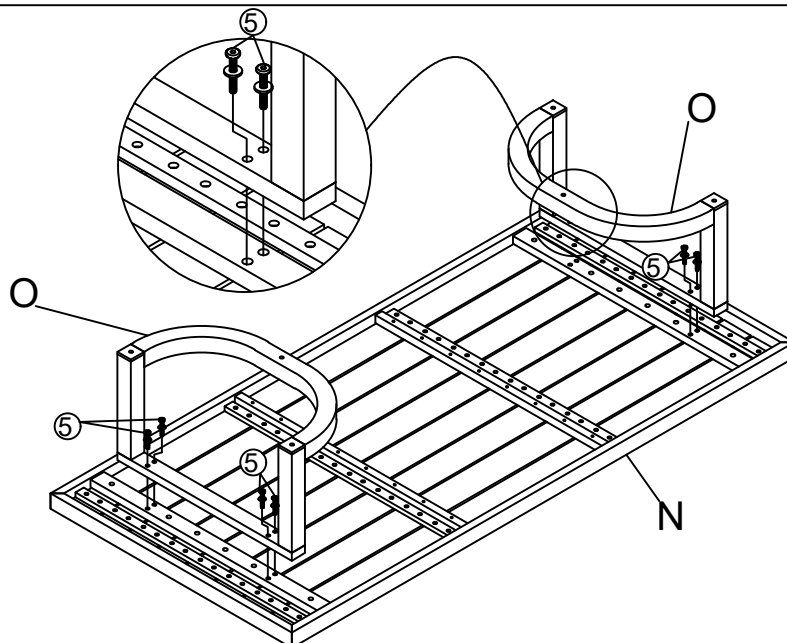
9 x6

# Step 10



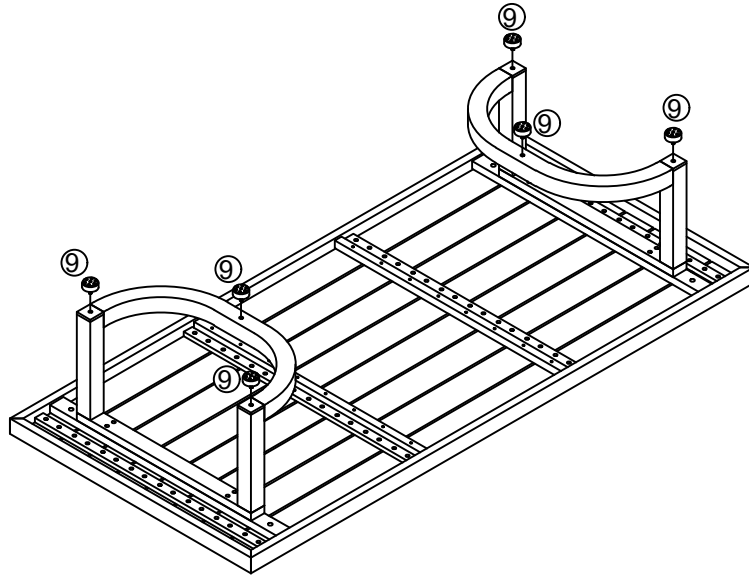
G x2 | F x3

# Step 11



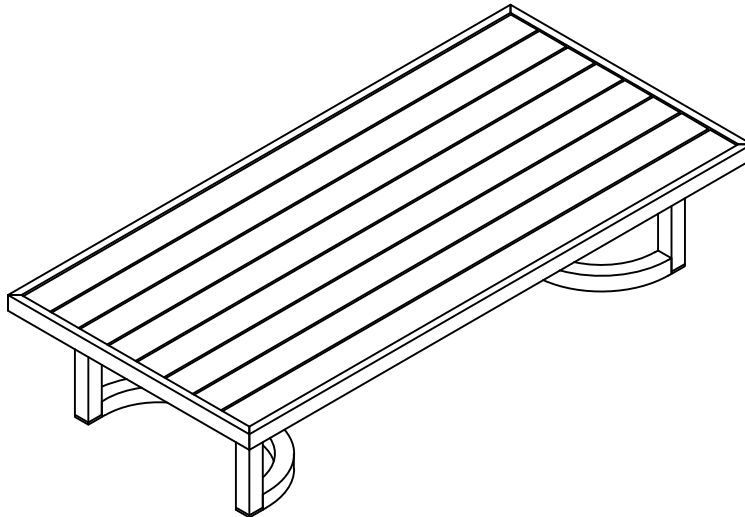
N x1 | O x2 | 5 x8

# Step 12

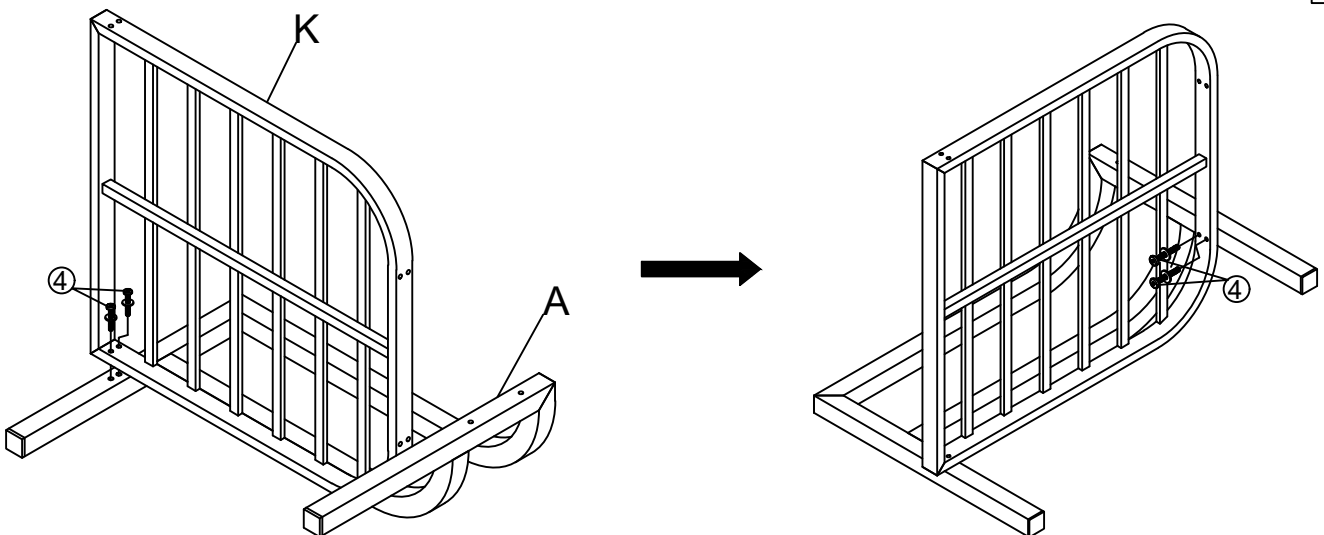


⑨ x6

# Step 13

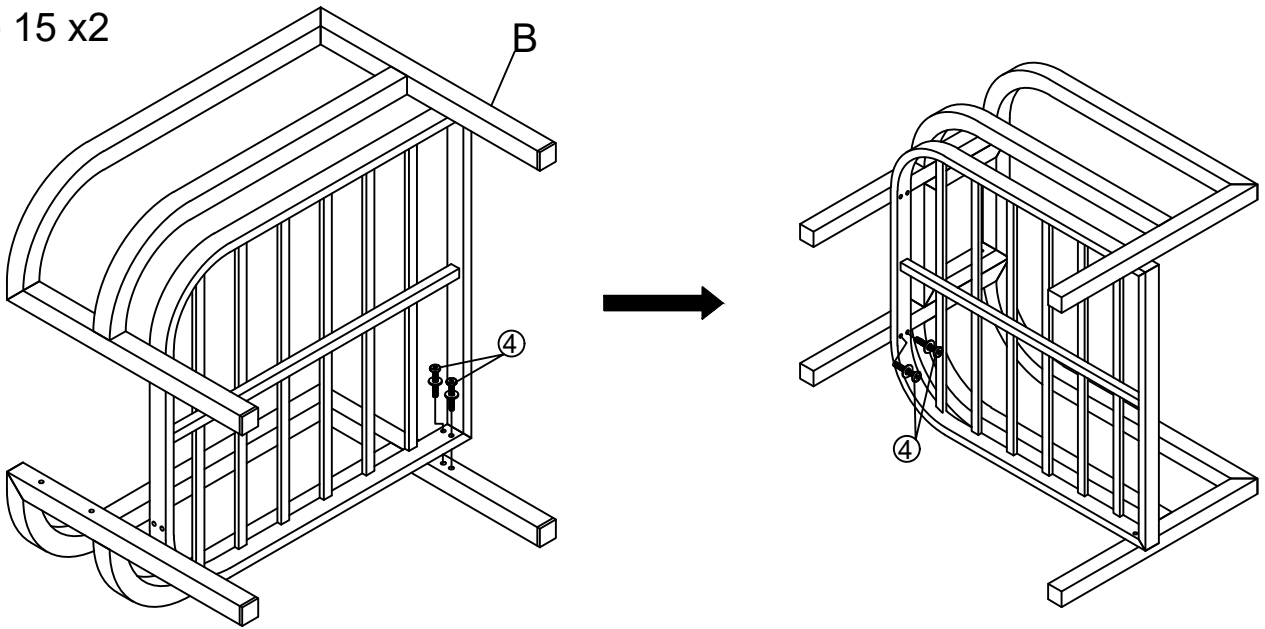


# Step 14 x2



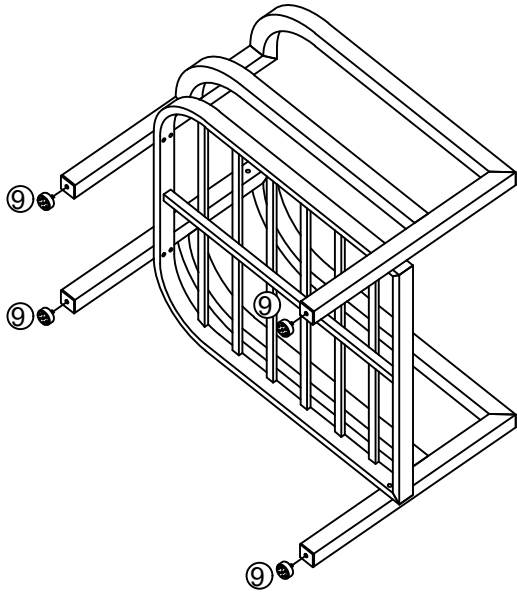
A x1 | K x1 | ④ x4

Step 15 x2



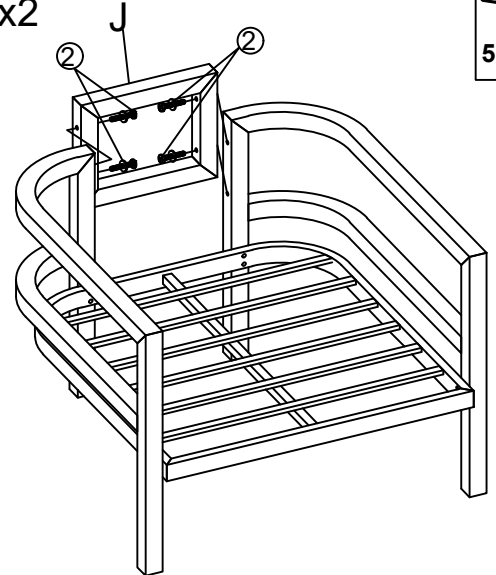
B x1 ④ x4

Step 16 x2



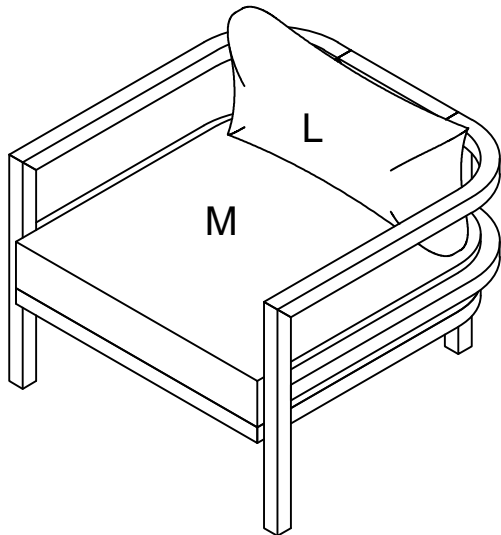
⑨ x4

Step 17 x2



J x4 ② x4

Step 18 x2



Step 19

